



US00D708391S

(12) **United States Design Patent**
Coury

(10) **Patent No.:** **US D708,391 S**
(45) **Date of Patent:** **** Jul. 1, 2014**

- (54) **STAR LIGHTING FIXTURE PANEL ASSEMBLY**
- (71) Applicant: **3form, Inc.**, Salt Lake City, UT (US)
- (72) Inventor: **James Andrew Coury**, Seattle, WA (US)
- (73) Assignee: **3form, LLC**, Salt Lake City, UT (US)
- (**) Term: **14 Years**
- (21) Appl. No.: **29/447,319**
- (22) Filed: **Mar. 1, 2013**
- (51) **LOC (10) Cl.** **26-99**
- (52) **U.S. Cl.**
USPC **D26/142**
- (58) **Field of Classification Search**
USPC D26/35, 36, 39, 51, 62, 67, 71, 72, 74,
D26/80, 81, 85, 88, 89, 113, 118, 119, 128,
D26/138, 139, 140, 142, 152, 154, 155;
362/147, 148, 153, 153.1, 183, 186,
362/300, 301, 307, 310, 347, 348, 349, 350,
362/362, 364, 365, 366, 382, 431, 432
See application file for complete search history.

- (56) **References Cited**
U.S. PATENT DOCUMENTS

482,362 A	9/1892	Jordan	
2,212,638 A	8/1940	Franke	
D179,035 S	10/1956	Roth	
D183,973 S	11/1958	Navratil	
D191,678 S	10/1961	Kaufmann	
3,039,220 A	6/1962	Fristot	
3,048,694 A	8/1962	Faulk	
3,548,186 A *	12/1970	Brock	D26/137
3,562,077 A	2/1971	Raba	
4,800,473 A *	1/1989	Tremblay	362/223
D342,219 S	12/1993	Cheng	
D464,462 S	10/2002	Shieh	
D509,315 S *	9/2005	Weiser et al.	D26/101

D538,962 S	3/2007	Elliott	
D570,526 S	6/2008	Cenedese	
7,401,950 B2 *	7/2008	Larouche	362/147
D588,297 S *	3/2009	Rubin	D26/88
D604,451 S	11/2009	Smith	
D620,636 S	7/2010	Holder	
D659,885 S	5/2012	Holder	
D659,887 S	5/2012	Holder	
D679,850 S *	4/2013	Smith et al.	D26/88
D679,852 S *	4/2013	Smith	D26/88
D681,257 S *	4/2013	Van Strander	D26/88
D683,886 S *	6/2013	Kim et al.	D26/88
D696,450 S *	12/2013	Coury	D26/88
2004/0120141 A1 *	6/2004	Beadle	362/147
2008/0291663 A1 *	11/2008	Wedell et al.	362/147
2013/0188341 A1 *	7/2013	Tseng et al.	362/183

* cited by examiner

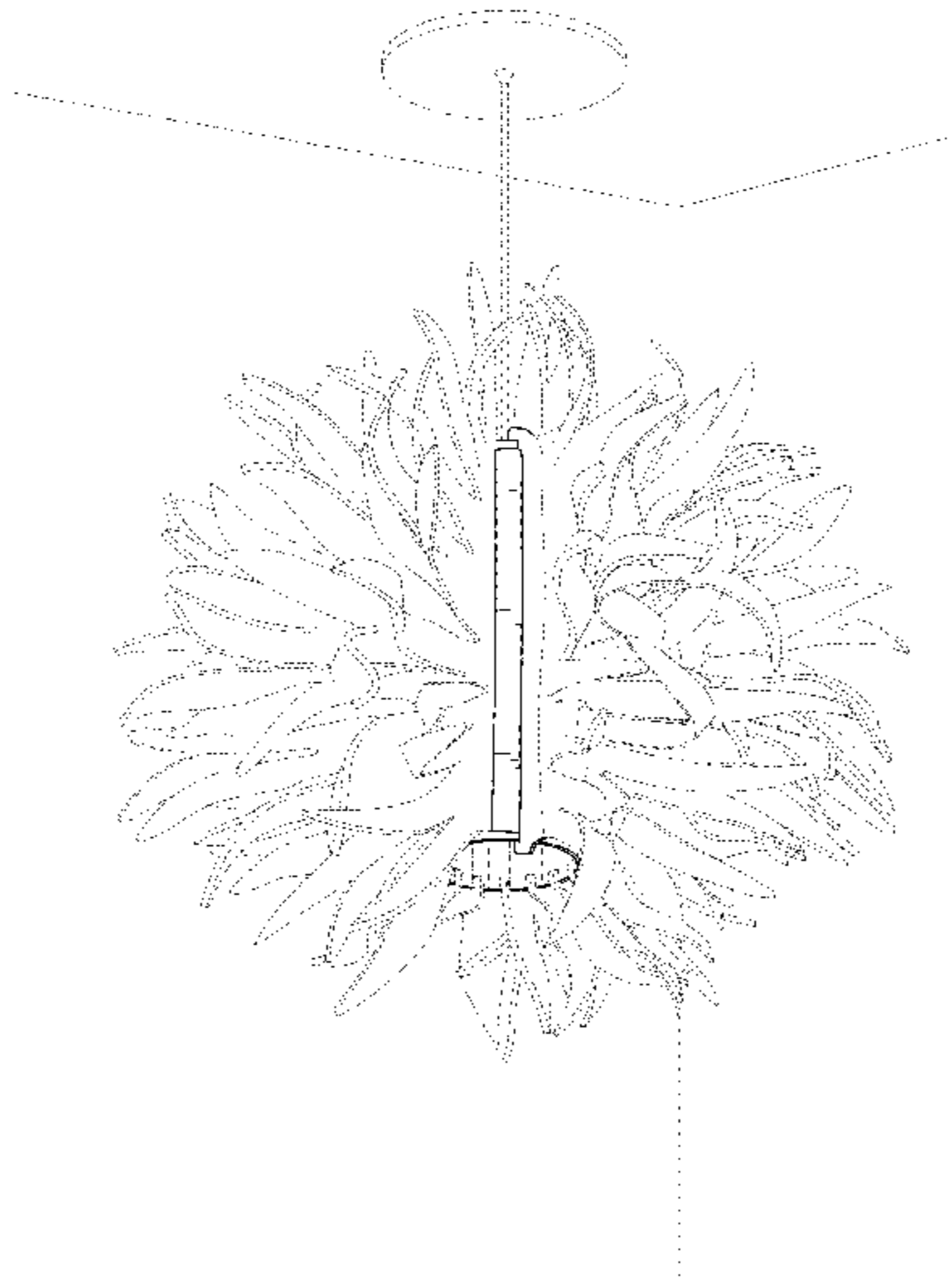
Primary Examiner — Deanna L Pratt
Assistant Examiner — Natasha Vujcic
 (74) *Attorney, Agent, or Firm* — Workman Nydegger

(57) **CLAIM**
 The ornamental design for a star lighting fixture panel assembly, as shown and described.

DESCRIPTION

FIG. 1 is a bottom perspective view of a star lighting fixture panel assembly and a surrounding environment thereof; FIG. 2 is a front elevational view of the star lighting fixture panel assembly; FIG. 3 is a rear elevational view thereof; FIG. 4 is a right-side elevational view thereof; FIG. 5 is a left-side elevational view thereof; FIG. 6 is a top plan view thereof; FIG. 7 is a bottom plan view thereof; and, FIG. 8 is an exploded bottom perspective view thereof. The broken lines in the drawings illustrate portions of the star lighting fixture panel assembly which form no part of the claimed design.

1 Claim, 6 Drawing Sheets



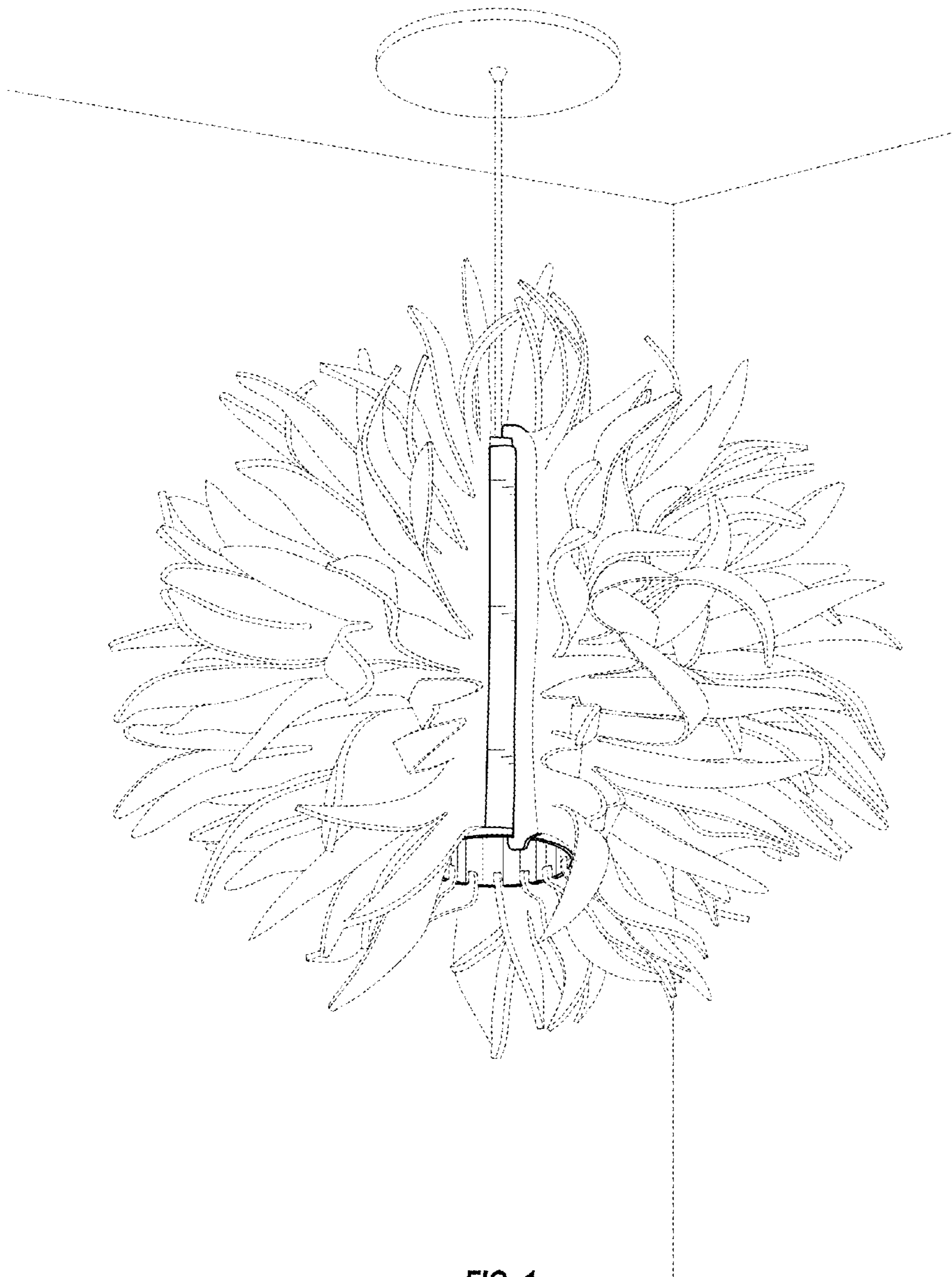


FIG. 1

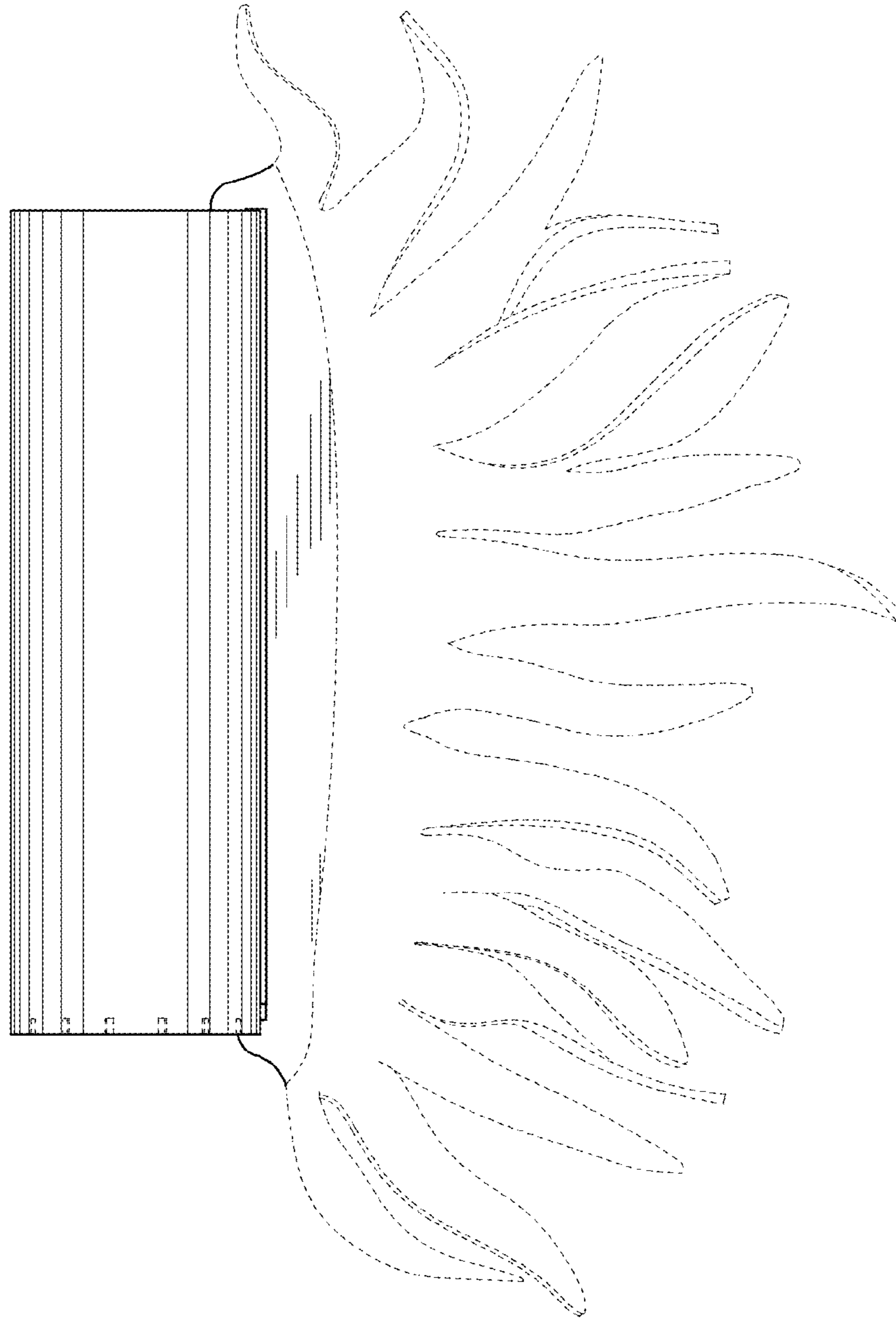


FIG. 2

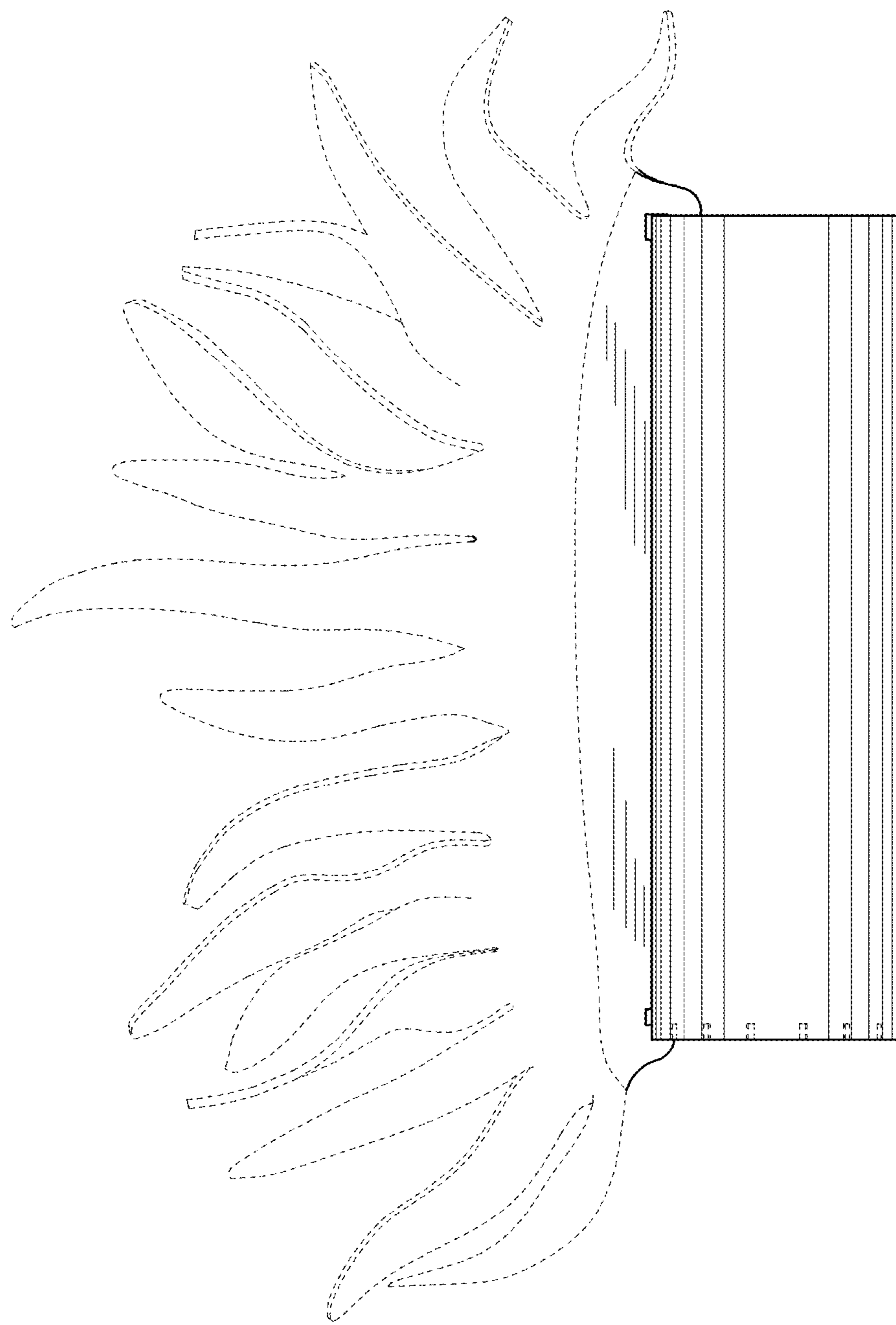


FIG. 3

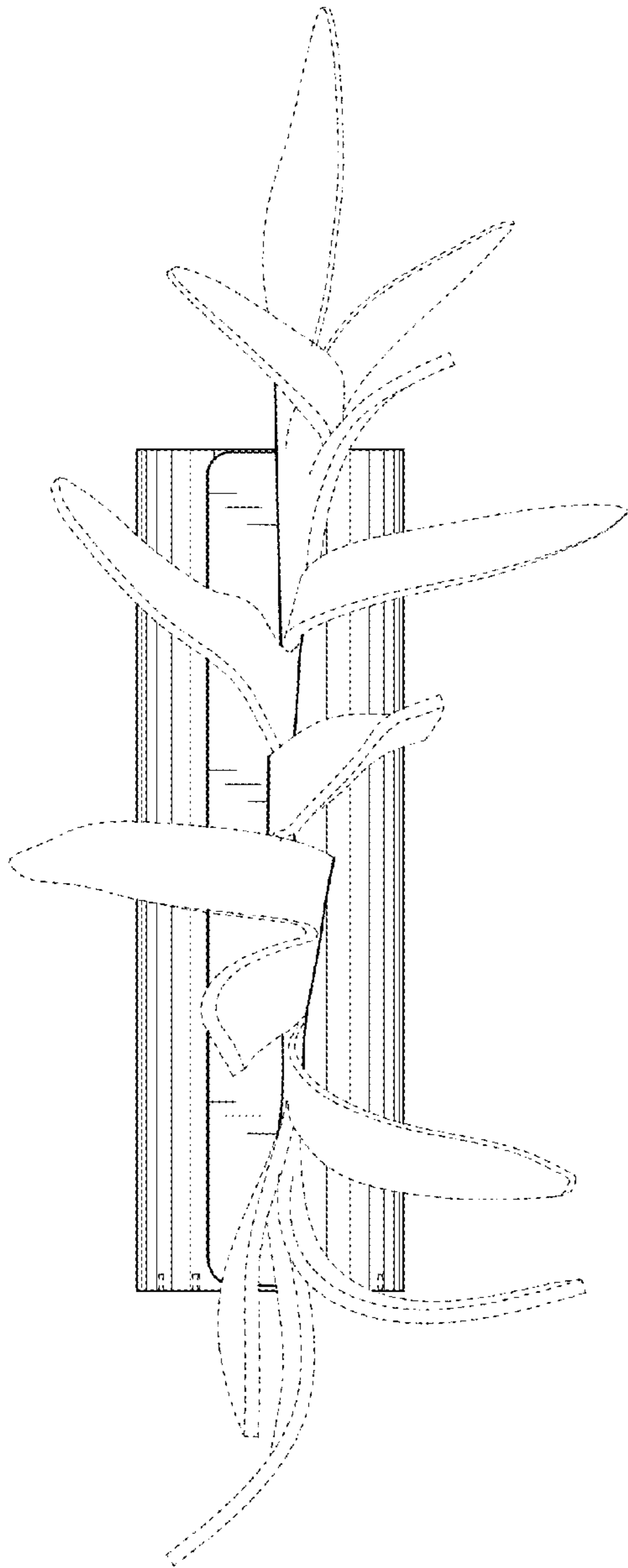


FIG. 4

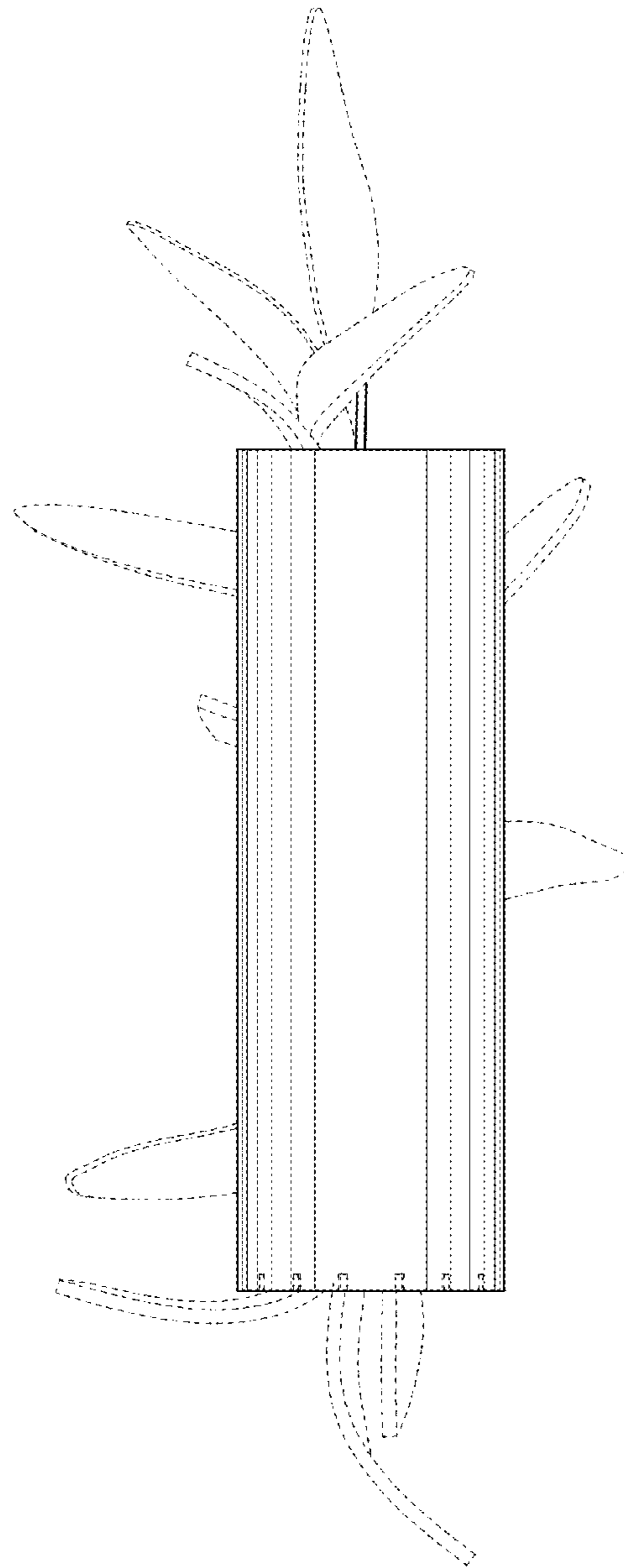


FIG. 5

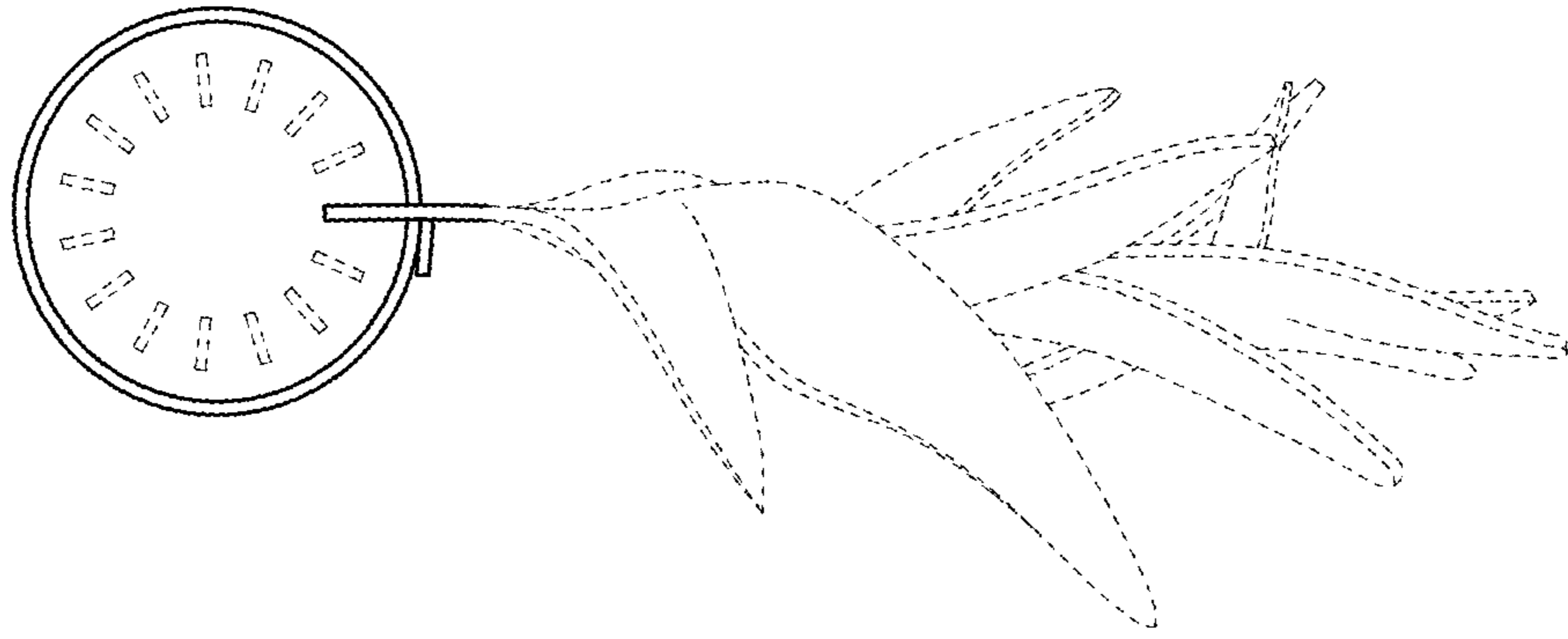


FIG. 6

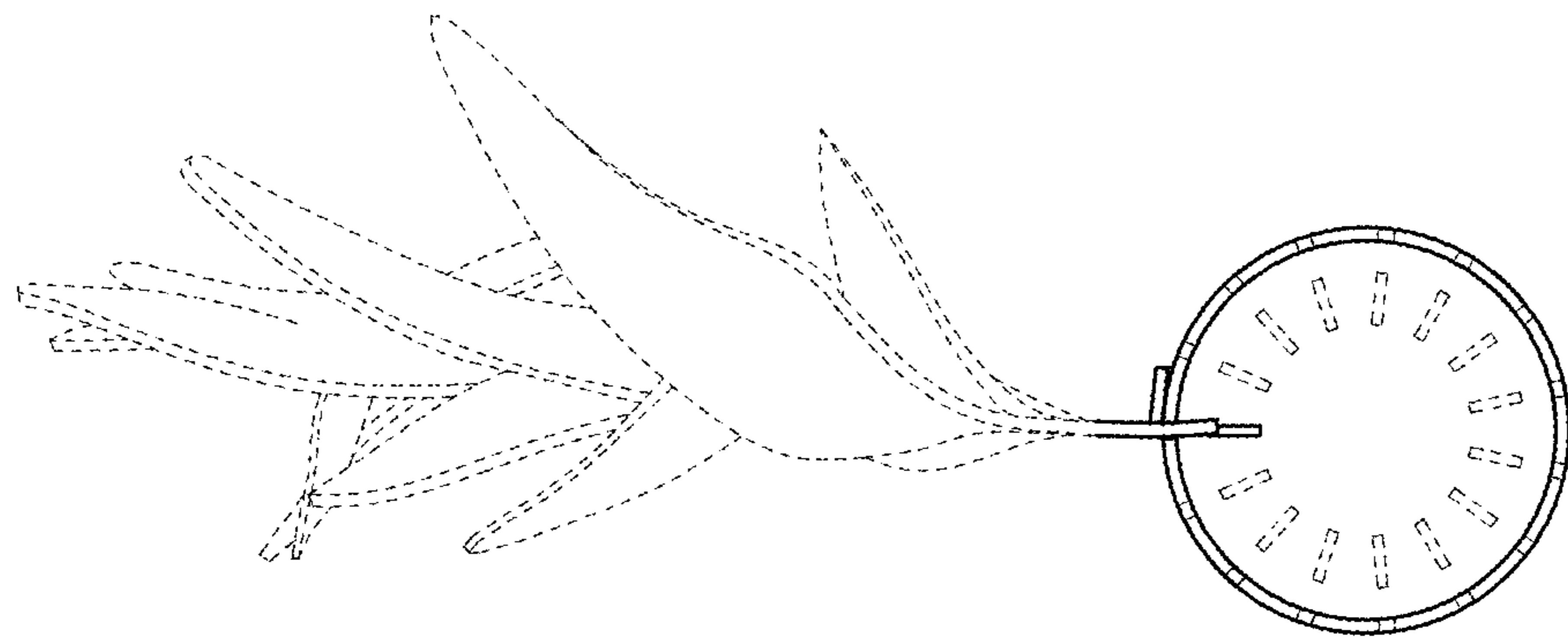


FIG. 7

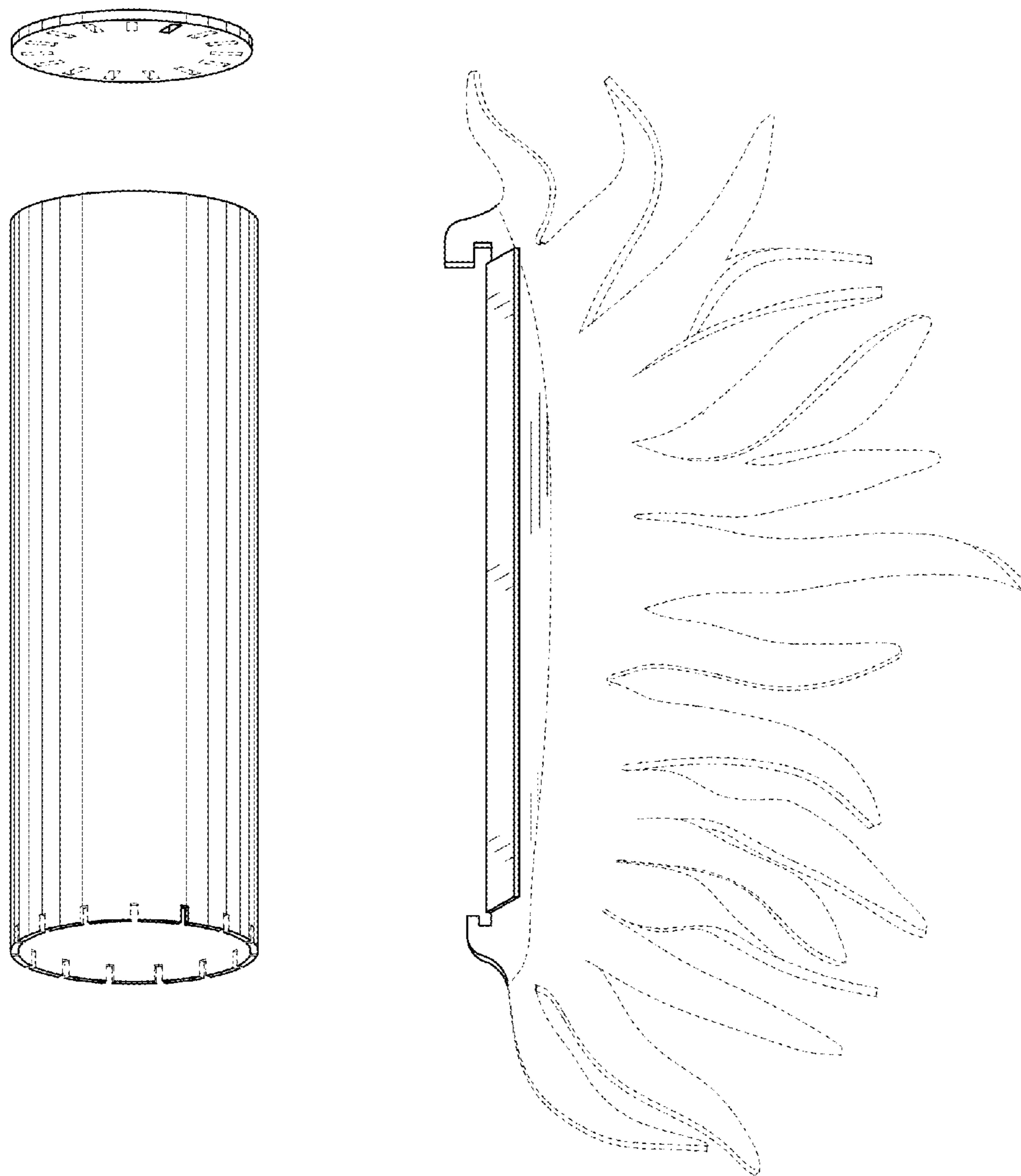


FIG. 8