



US00D708390S

(12) **United States Design Patent**
Roos et al.

(10) **Patent No.:** **US D708,390 S**

(45) **Date of Patent:** **** Jul. 1, 2014**

(54) **AREA LIGHT**

(75) Inventors: **Scott Roos**, Glenview, IL (US); **Peter Wachter**, Northfield, IL (US)

(73) Assignee: **Juno Manufacturing, LLC**, Des Plaines, IL (US)

(**) Term: **14 Years**

(21) Appl. No.: **29/391,865**

(22) Filed: **May 13, 2011**

(51) **LOC (10) Cl.** **26-99**

(52) **U.S. Cl.**
USPC **D26/138**

(58) **Field of Classification Search**
USPC D26/25, 26, 28, 31, 35, 36, 37, 41, 42, D26/50, 51, 52, 64, 66, 67, 73, 75, 78, 85, D26/88, 89, 90, 103-106, 109, 110, 119, D26/123, 125, 129, 131, 135, 136, 138, 140, D26/143, 144; D13/179, 180; 362/92, 130, 362/132, 133, 183, 184, 190, 205, 216, 362/217.05, 218, 220, 223, 224, 241, 247, 362/249.03, 249.05-249.1, 249.11, 258, 362/260, 285, 287, 294.02, 297, 327, 345, 362/354, 373-379, 410, 418, 419, 510, 516, 362/558, 561; 248/339, 557, 558; D8/354, D8/373, 377, 382; D25/60, 119, 124, 125; 52/455; 349/59-62, 64-67, 113; 438/15; 345/102; D12/406; D10/111, D10/114.1; D11/121, 125, 144, 145; 428/11; 257/96, 97, 98, 99

See application file for complete search history.

(56) **References Cited**

U.S. PATENT DOCUMENTS

D635,708 S * 4/2011 Zheng D26/78
D663,462 S * 7/2012 Butler et al. D26/71

D670,851 S * 11/2012 Tsai D26/76
D670,856 S * 11/2012 Butler et al. D26/138
D670,857 S * 11/2012 Butler et al. D26/138
D673,720 S * 1/2013 Bailey et al. D26/138
2009/0237930 A1* 9/2009 Li 362/235
2009/0251898 A1* 10/2009 Kinnune et al. 362/249.02
2009/0323343 A1* 12/2009 Wang 362/249.11
2010/0027269 A1* 2/2010 Lo et al. 362/294
2010/0271822 A1* 10/2010 Luo et al. 362/249.02

OTHER PUBLICATIONS

GE Consumer & Industrial Lighting Systems; Evolve™ LED Area Lighter; GEH-5981F Instructions; Downloaded May 4, 2011; (2 pages).
Ledalux; Navilux 60 Series Single Headpiece; Model NAVJ2019-00; Downloaded May 5, 2011; (1 page).

(Continued)

Primary Examiner — Zenia Bennett

(74) *Attorney, Agent, or Firm* — Locke Lord LLP

(57) **CLAIM**

We claim the ornamental design for an “area light,” as shown and described.

DESCRIPTION

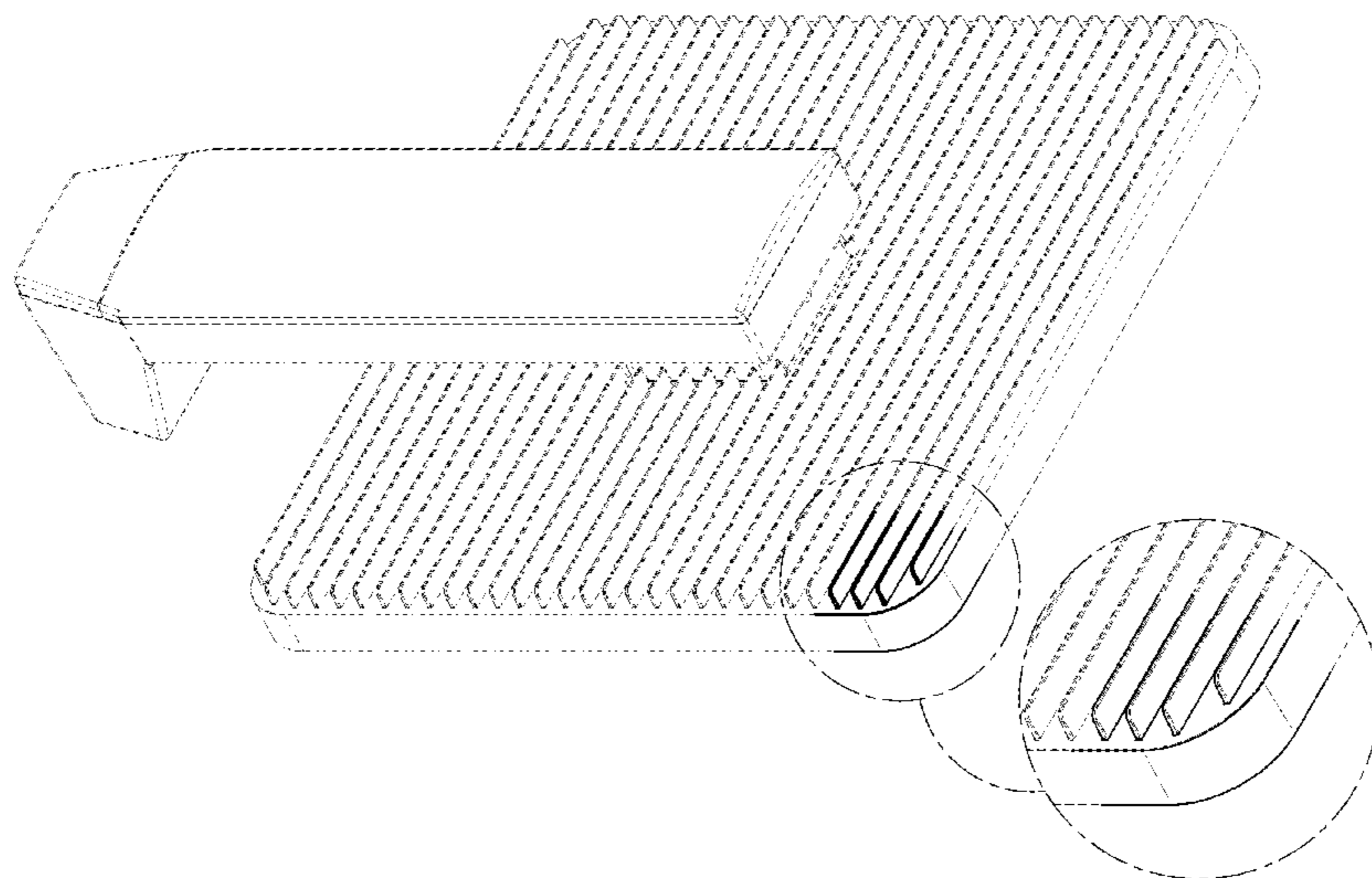
FIG. 1 is a top perspective view of an area light showing my new design, including an enlarged callout for ease of illustration.

FIG. 2 is front end view of the area light shown in FIG. 1, showing an enlarged callout for ease of illustration detailing edges of the area light; and,

FIG. 3 is a top plan view of the area light shown in FIG. 1, showing an enlarged callout for ease of illustration detailing fins of the area light.

The broken lines are only for illustrative purposes to show visible environmental structure and form no part of the claimed invention. The long-dash short-dash lines of the callout boundaries form no part of the claimed invention.

1 Claim, 2 Drawing Sheets



(56)

References Cited

OTHER PUBLICATIONS

Ledalux; Navilux 30 Series Single Headpiece; Model NAVJ2018-00; Downloaded May 5, 2011; (1 page).

GE Lighting Systems, Inc.; GE Evolve™ LED Series Area Light, Medium Thin Profile; Dated 2010; (2 pages).

Everlight Americas, Inc.; Dolphin Street Lighting Series; SL-Dolphin/100240AC(UL); Dated Apr. 1, 2010; (10 pages).

Philips Gardco; Radiant LED Area Lighting; Dated 2010; (8 pages).
GreenStar™; Products; Galaxy™, www.greenstarled.com/Web/GreenStar-Products_General.html; downloaded May 4, 2011; (1 page).

CooperLighting; Ventus LED Architectural Area Luminaire; www.cooperindustries.com; downloaded May 4, 2011; (6 pages).

* cited by examiner

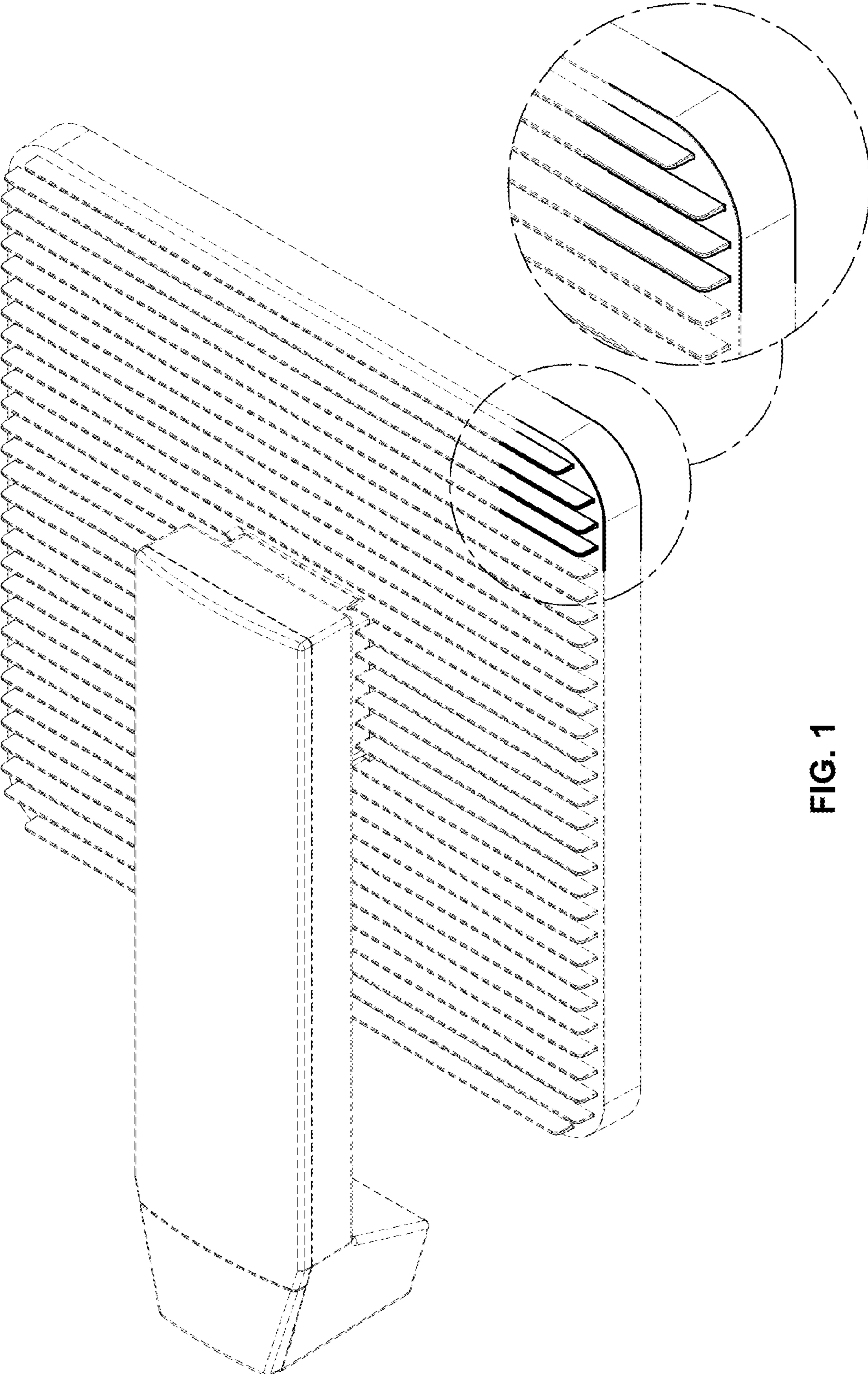


FIG. 1

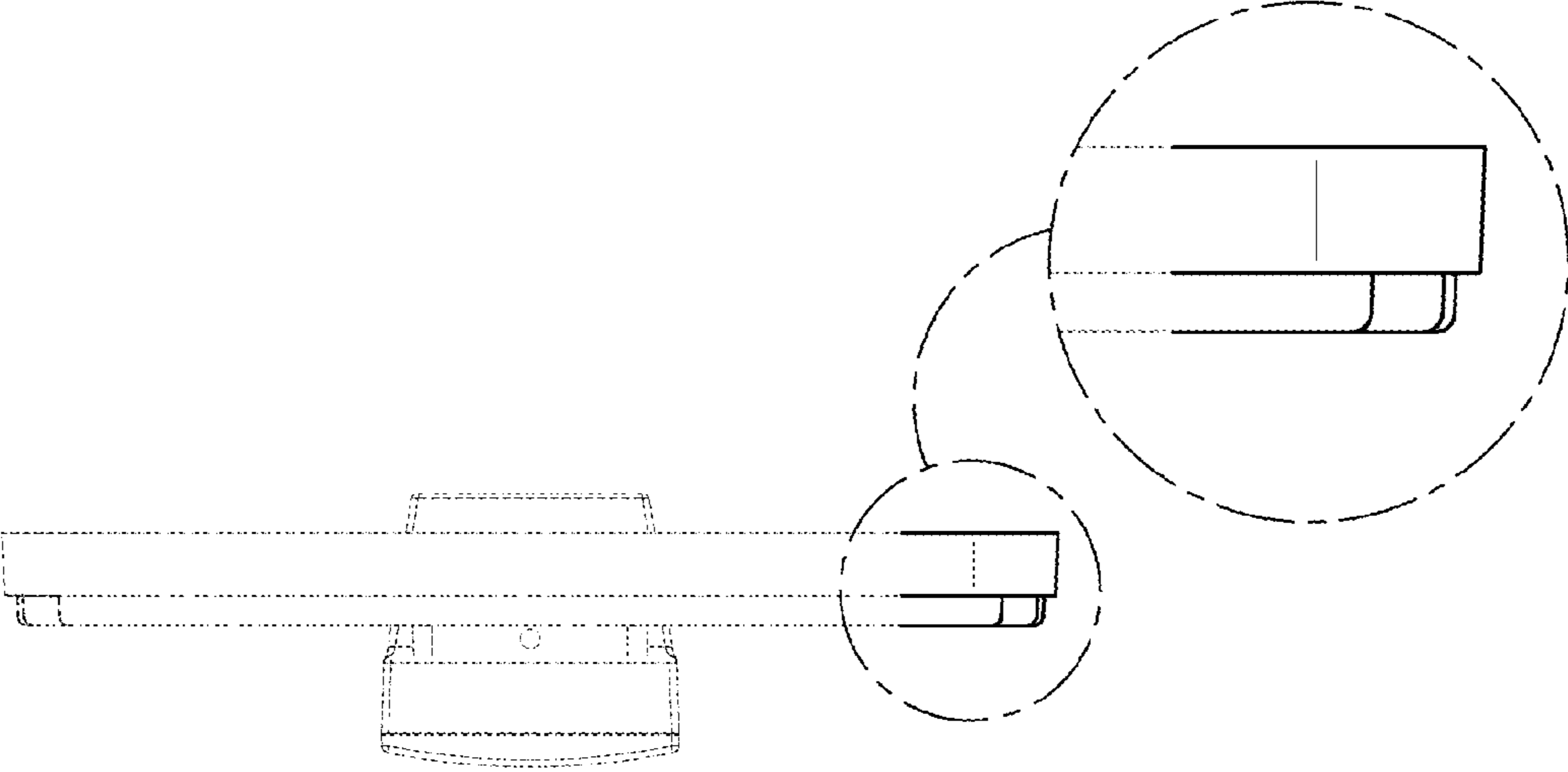


FIG. 2

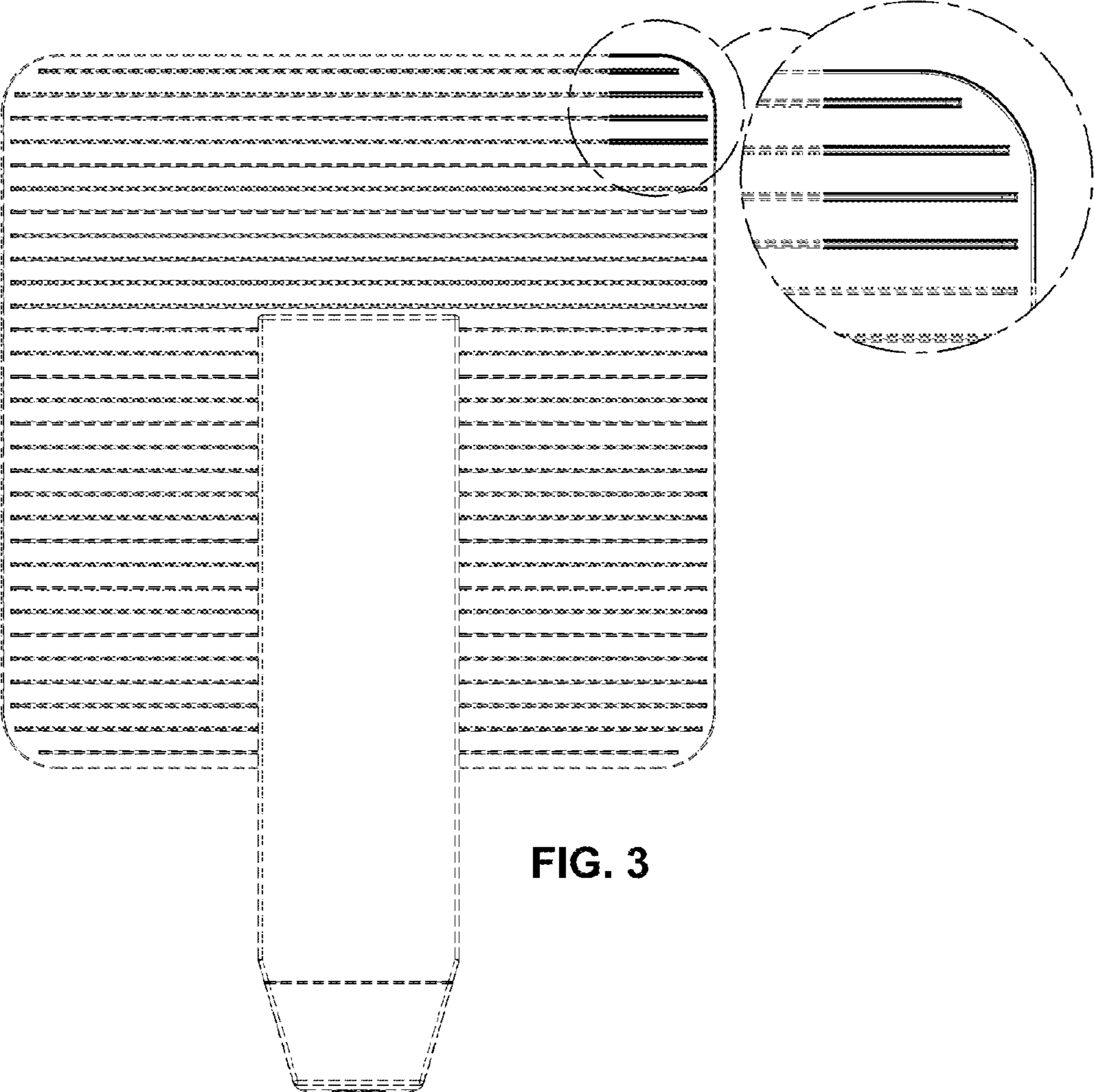


FIG. 3