



US00D708385S

(12) **United States Design Patent**  
**Krogman et al.**

(10) **Patent No.:** **US D708,385 S**  
(45) **Date of Patent:** **\*\* Jul. 1, 2014**

(54) **LIGHTING**

**DESCRIPTION**

(71) Applicant: **LSI Industries, Inc.**, Cincinnati, NY (US)  
(72) Inventors: **Mark J. Krogman**, Southlake, TX (US); **Hongquan Liu**, Plano, TX (US)  
(73) Assignee: **LSI Industries, Inc.**, Cincinnati, OH (US)  
(\*\*) Term: **14 Years**  
(21) Appl. No.: **29/465,471**  
(22) Filed: **Aug. 28, 2013**  
(51) **LOC (10) Cl.** ..... **26-99**  
(52) **U.S. Cl.**  
USPC ..... **D26/118**  
(58) **Field of Classification Search**  
USPC ..... D26/118, 119, 120, 64, 65, 72, 124, D26/125, 138, 128, 132, 84, 85, 86, 87, 69, D26/62, 1, 2, 113, 134, 135, 89, 90, 24, 145, D26/142, 74, 63, 88; 362/147, 364, 362, 362/365, 294, 249.03, 282, 275, 190, 341, 362/249.01; D13/179, 180  
See application file for complete search history.

FIG. 1 is a perspective view of a first embodiment of the design of the present disclosure;  
FIG. 2 is a bottom view of the design of FIG. 1;  
FIG. 3 is a top view of the design of FIG. 1;  
FIG. 4 is a right-side view of the design of FIG. 1;  
FIG. 5 is a left-side view of the design of FIG. 1;  
FIG. 6 is a front-side view of the design of FIG. 1;  
FIG. 7 is a rear-side view of the design of FIG. 1;  
FIG. 8 is a perspective view of a second embodiment of the design of the present disclosure;  
FIG. 9 is a bottom view of the design of FIG. 8;  
FIG. 10 is a top view of the design of FIG. 8;  
FIG. 11 is a right-side view of the design of FIG. 8;  
FIG. 12 is a left-side view of the design of FIG. 8;  
FIG. 13 is a front-side view of the design of FIG. 8;  
FIG. 14 is a rear-side view of the design of FIG. 8;  
FIG. 15 is a perspective view of a third embodiment of the design of the present disclosure;  
FIG. 16 is a bottom view of the design of FIG. 15;  
FIG. 17 is a top view of the design of FIG. 15;  
FIG. 18 is a right-side view of the design of FIG. 15;  
FIG. 19 is a left-side view of the design of FIG. 15;  
FIG. 20 is a front-side view of the design of FIG. 15;  
FIG. 21 is a rear-side view of the design of FIG. 15;  
FIG. 22 is a perspective view of a fourth embodiment of the design of the present disclosure;  
FIG. 23 is a bottom view of the design of FIG. 22;  
FIG. 24 is a top view of the design of FIG. 22;  
FIG. 25 is a right-side view of the design of FIG. 22;  
FIG. 26 is a left-side view of the design of FIG. 22;  
FIG. 27 is a front-side view of the design of FIG. 22; and,  
FIG. 28 is a rear-side view of the design of FIG. 22.  
Those portions of the present invention which are presented in phantom illustrate the environment of the design only and form no part of the claimed design. Moreover, any shading presented in the accompanying drawings is provided merely to highlight the contour of the invention and is not intended to be illustrative of texture or gloss.

(56) **References Cited**

**U.S. PATENT DOCUMENTS**

3,604,916 A \* 9/1971 Adra et al. .... 362/267  
D298,656 S \* 11/1988 Compton ..... D26/24

(Continued)

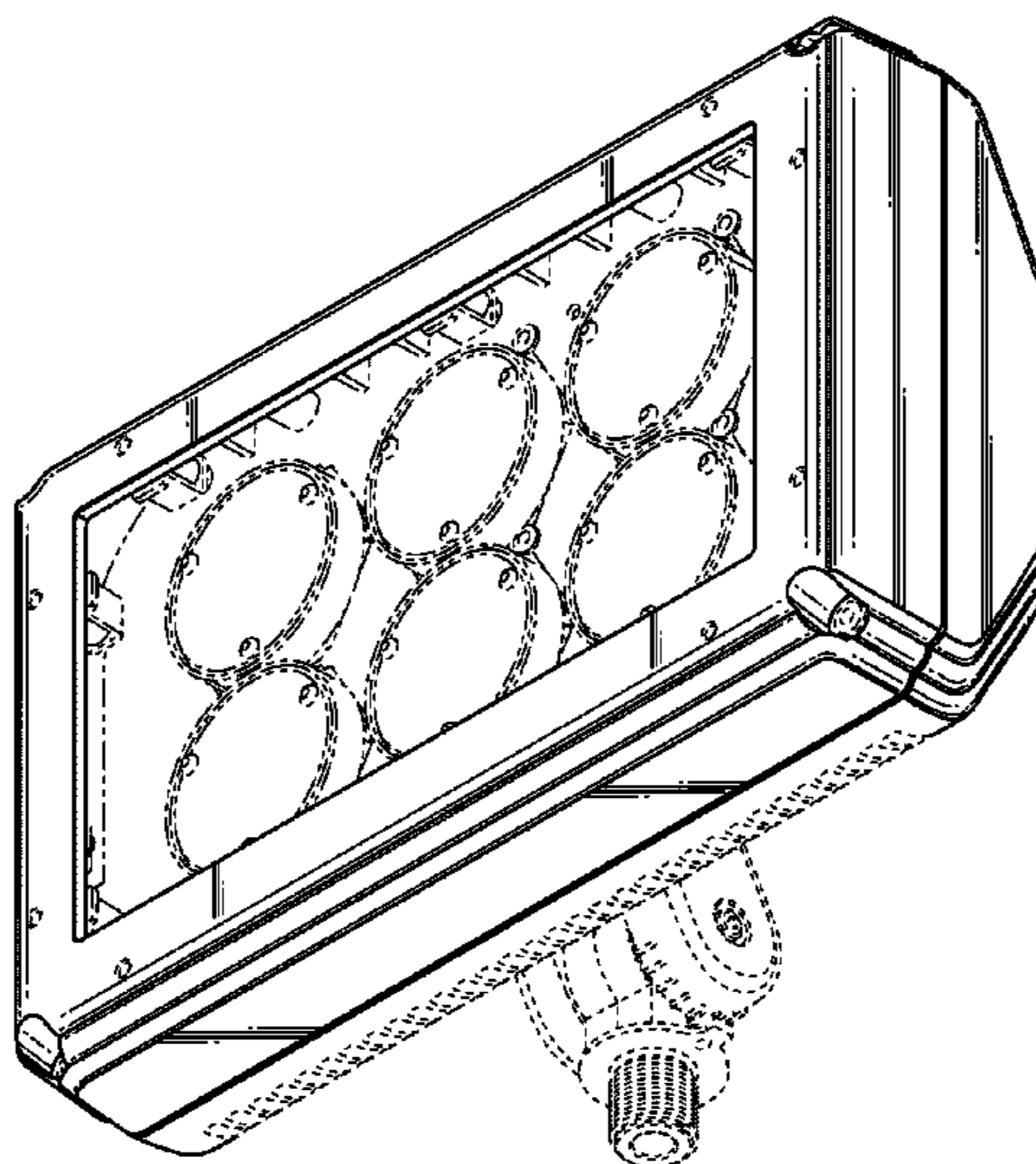
*Primary Examiner* — Kevin Rudzinski

(74) *Attorney, Agent, or Firm* — McDermott Will & Emery LLP

(57) **CLAIM**

The ornamental design for lighting, as shown and described.

**1 Claim, 20 Drawing Sheets**



(56)

**References Cited**

U.S. PATENT DOCUMENTS

D434,515 S *	11/2000	McNamara	.....	D26/63	D565,223 S *	3/2008	Guercio	.....	D26/63
D453,227 S *	1/2002	Lin	.....	D26/63	D570,024 S *	5/2008	Guercio	.....	D26/63
D465,592 S *	11/2002	Lin	.....	D26/65	D573,285 S *	7/2008	Zettl	.....	D26/63
D475,154 S *	5/2003	Binsukor	.....	D26/72	D574,102 S *	7/2008	Quiogue et al.	.....	D26/63
D484,629 S *	12/2003	Fong et al.	.....	D26/63	D635,712 S *	4/2011	Leen	.....	D26/118
D545,987 S *	7/2007	Guercio	.....	D26/63	D642,719 S *	8/2011	Lindholm et al.	.....	D26/63
D550,878 S *	9/2007	Korpi	.....	D26/63	D643,147 S *	8/2011	Guercio et al.	.....	D26/118
D552,778 S *	10/2007	Butler	.....	D26/63	D659,280 S *	5/2012	Guercio et al.	.....	D26/118
					D672,908 S *	12/2012	Wilcox et al.	.....	D26/118
					D679,856 S *	4/2013	Guercio et al.	.....	D26/118
					D698,474 S *	1/2014	Korpi	.....	D26/63

\* cited by examiner

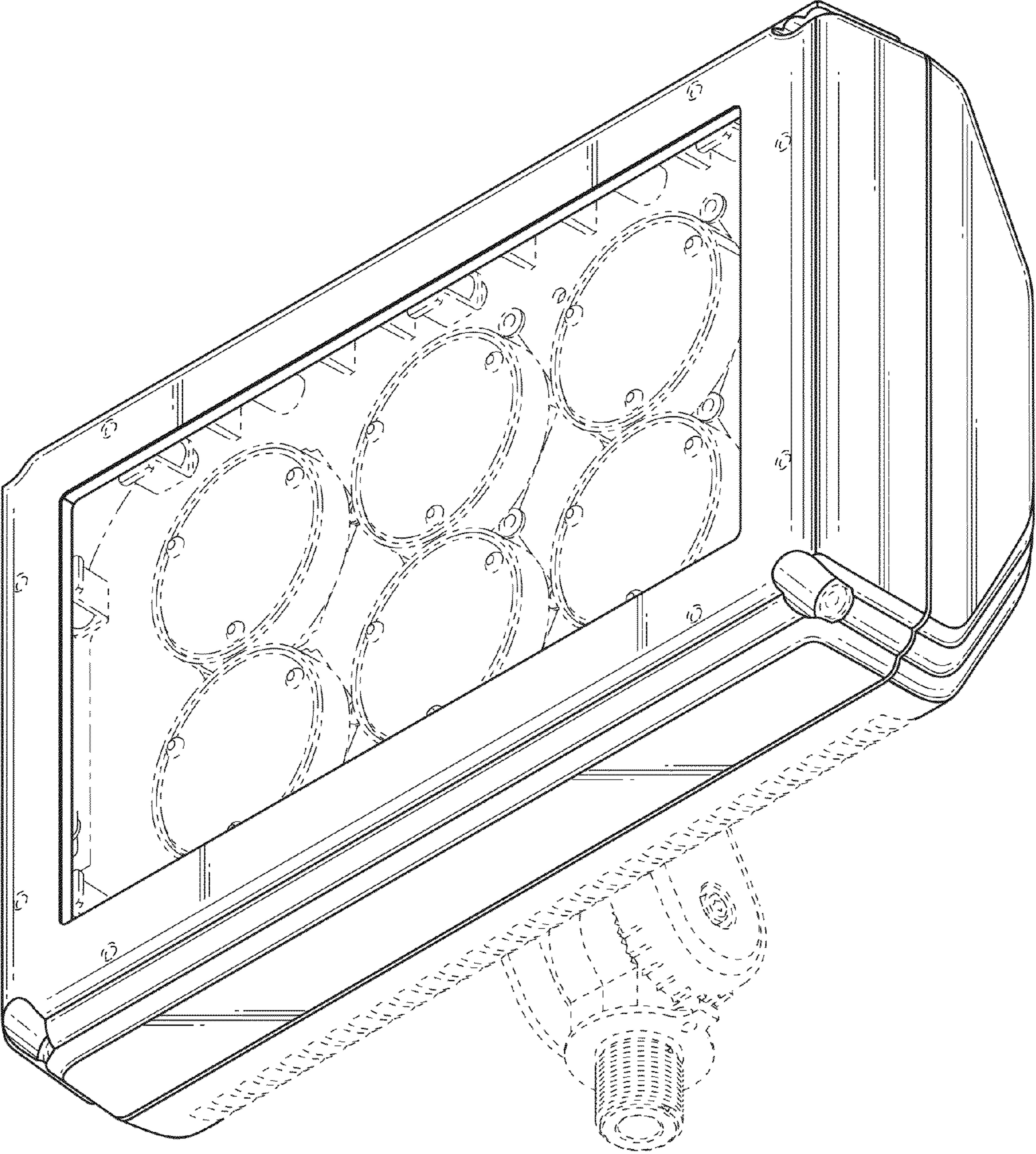


FIG. 1



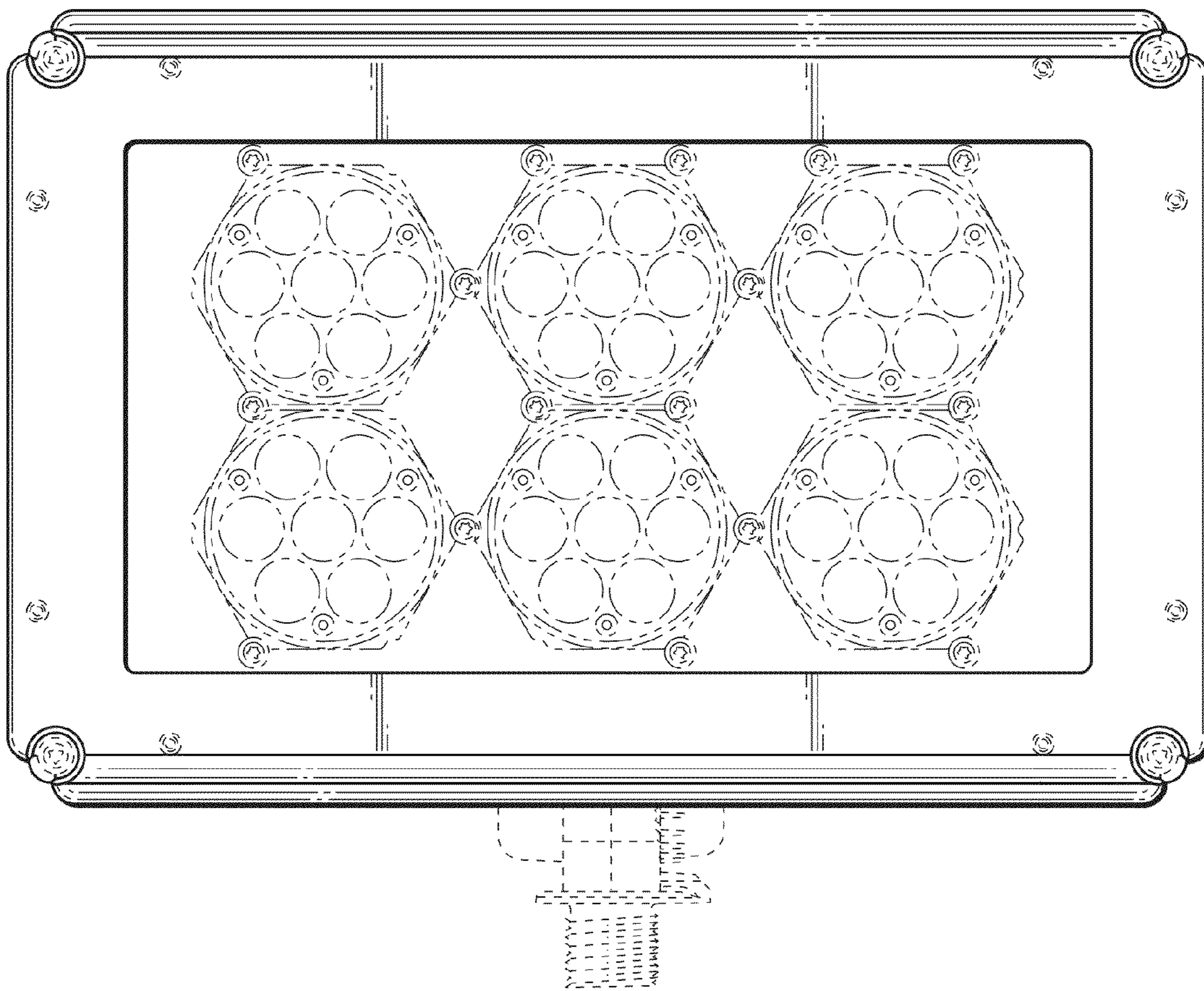


FIG. 2

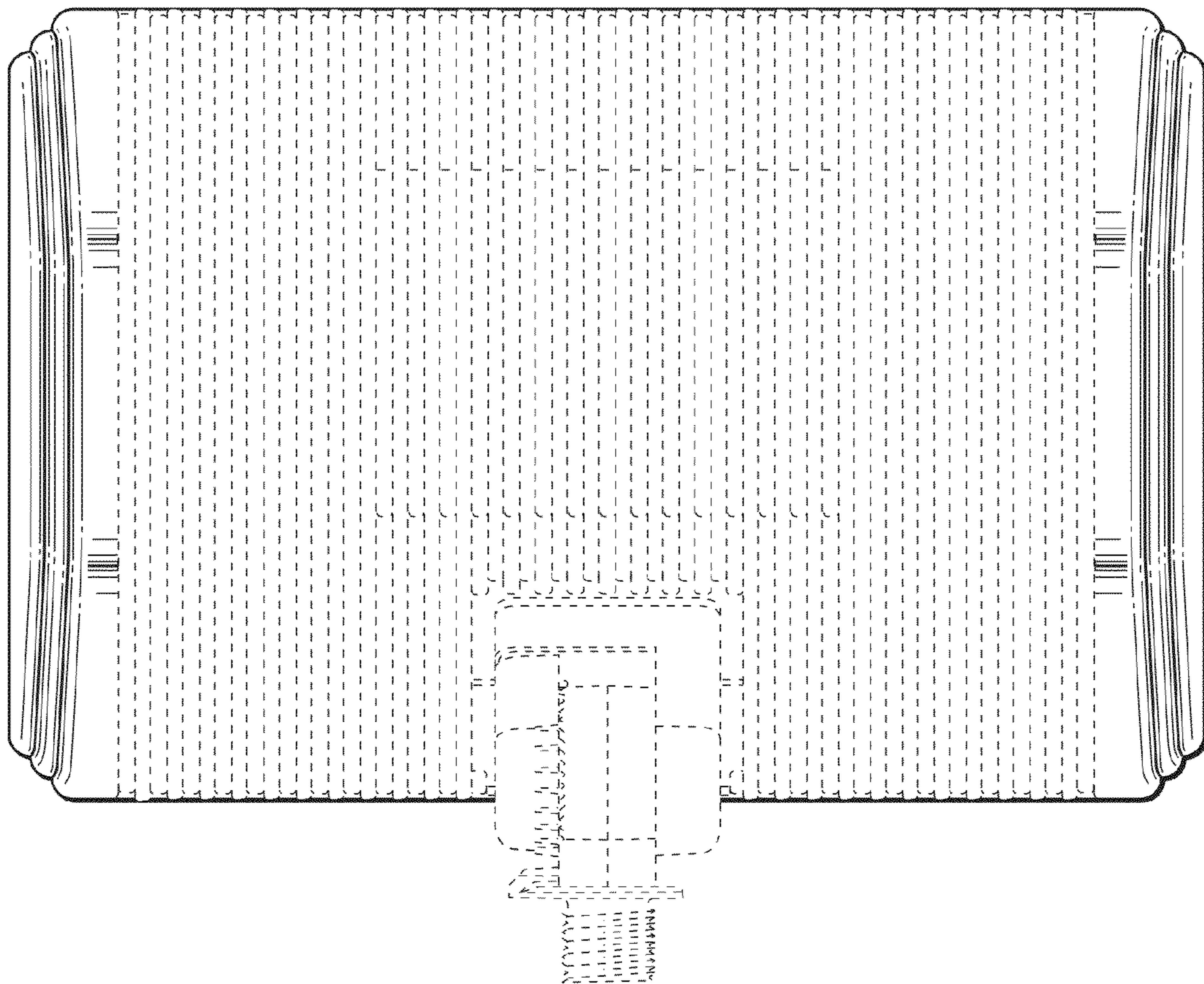


FIG. 3

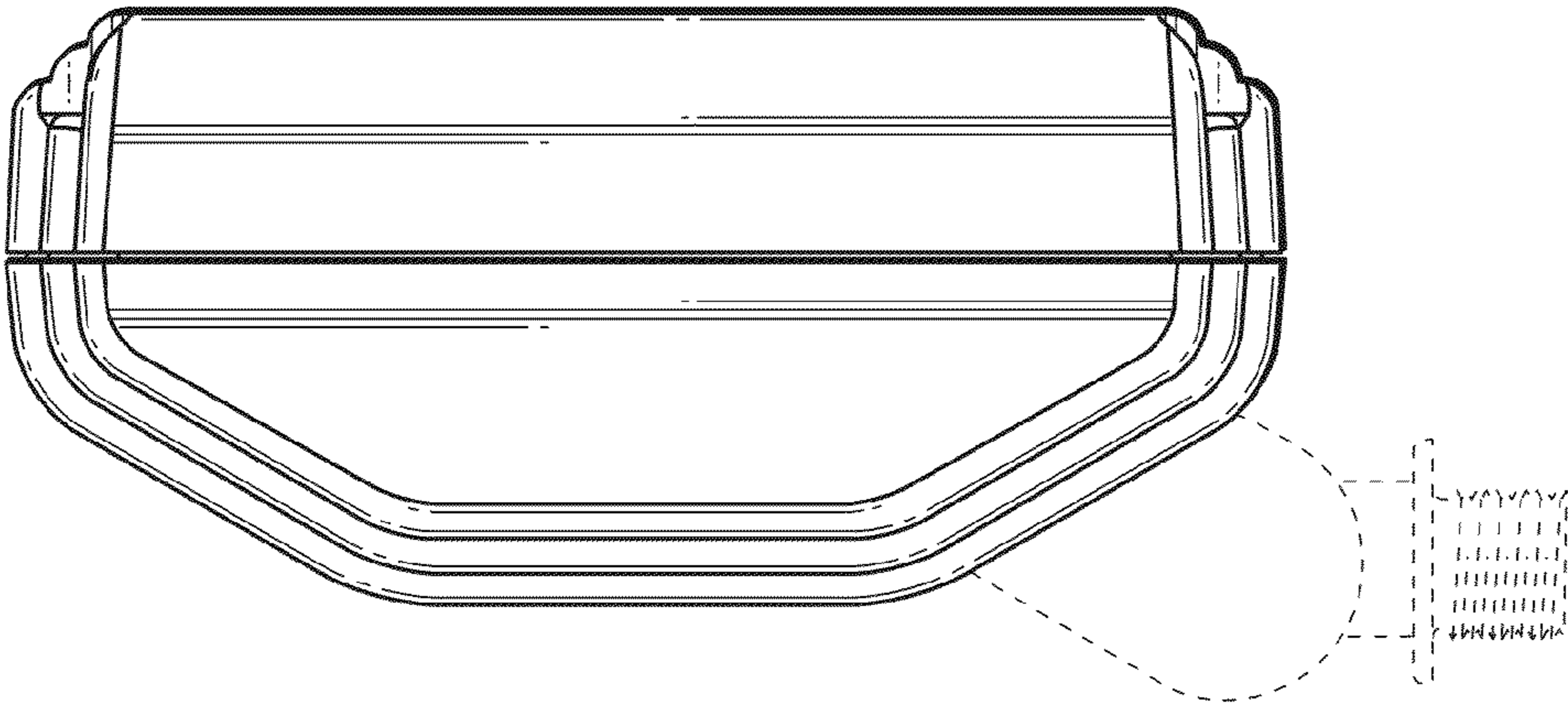


FIG. 5

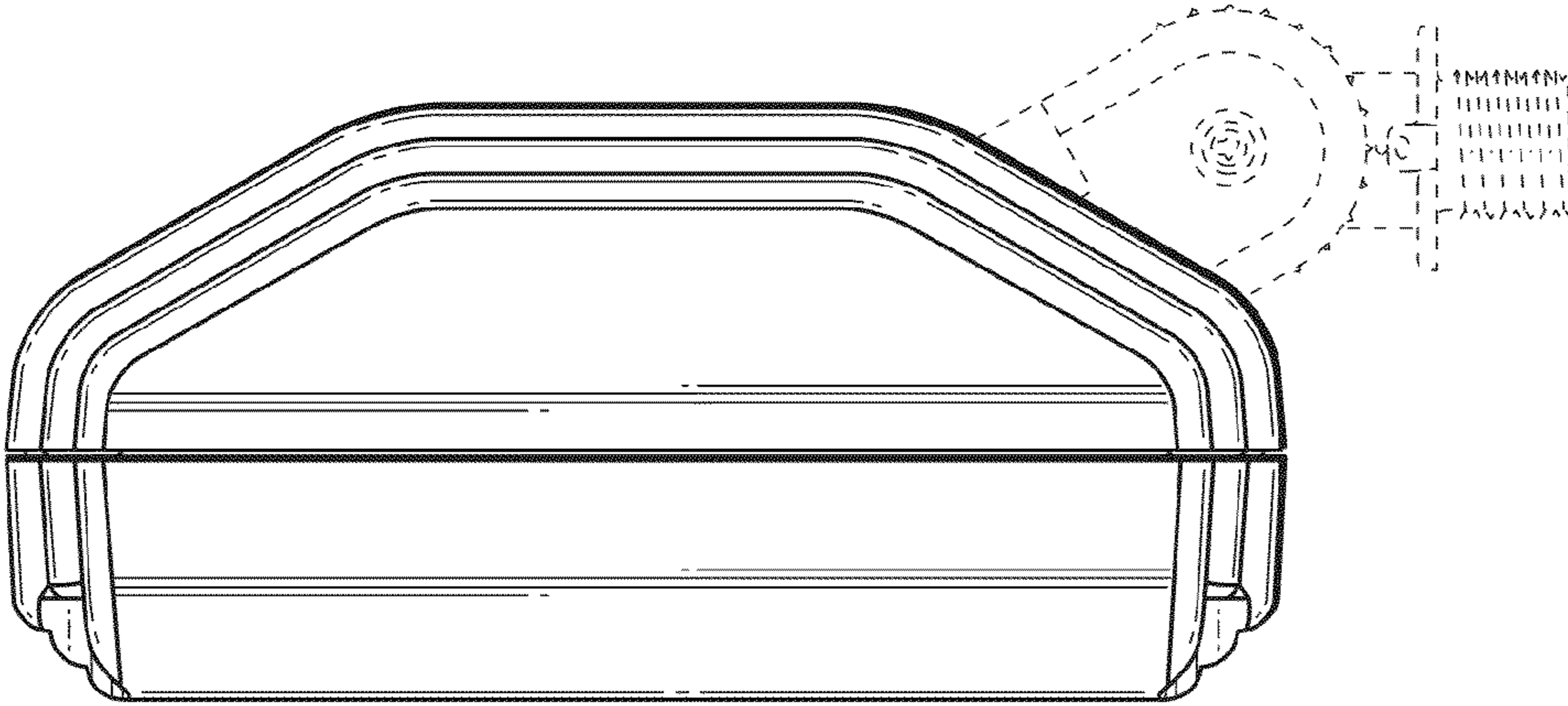


FIG. 4

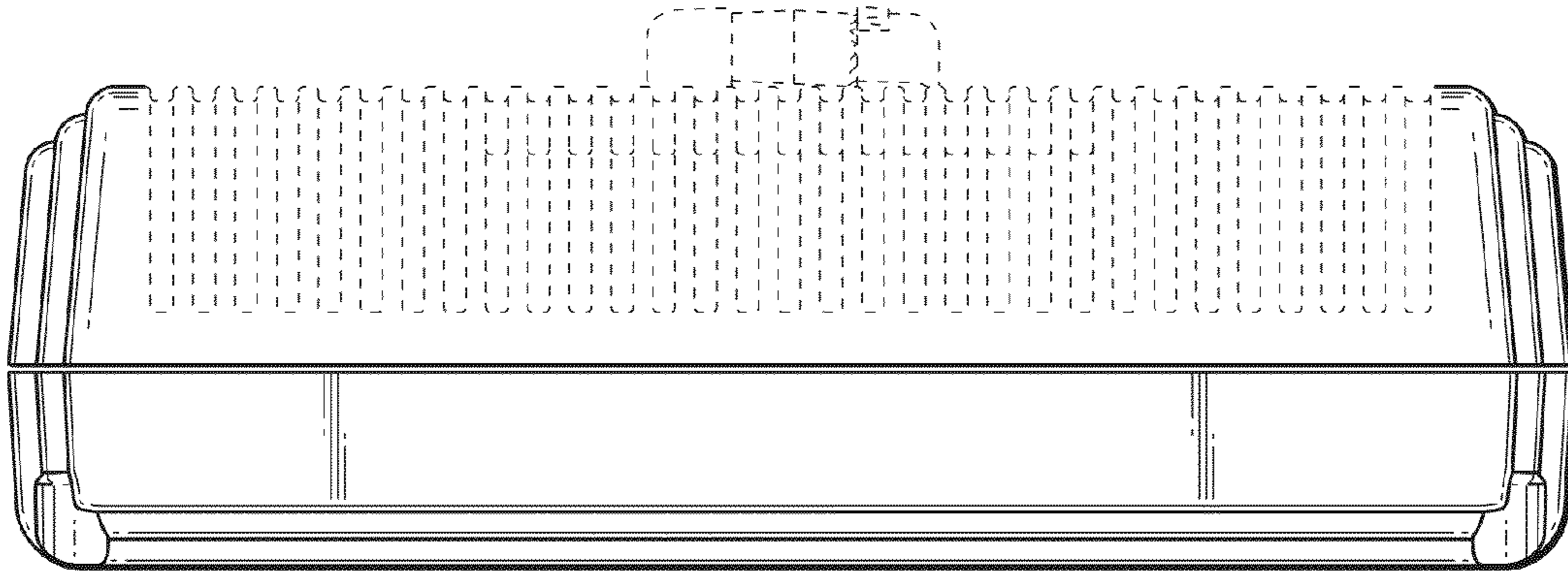


FIG. 6

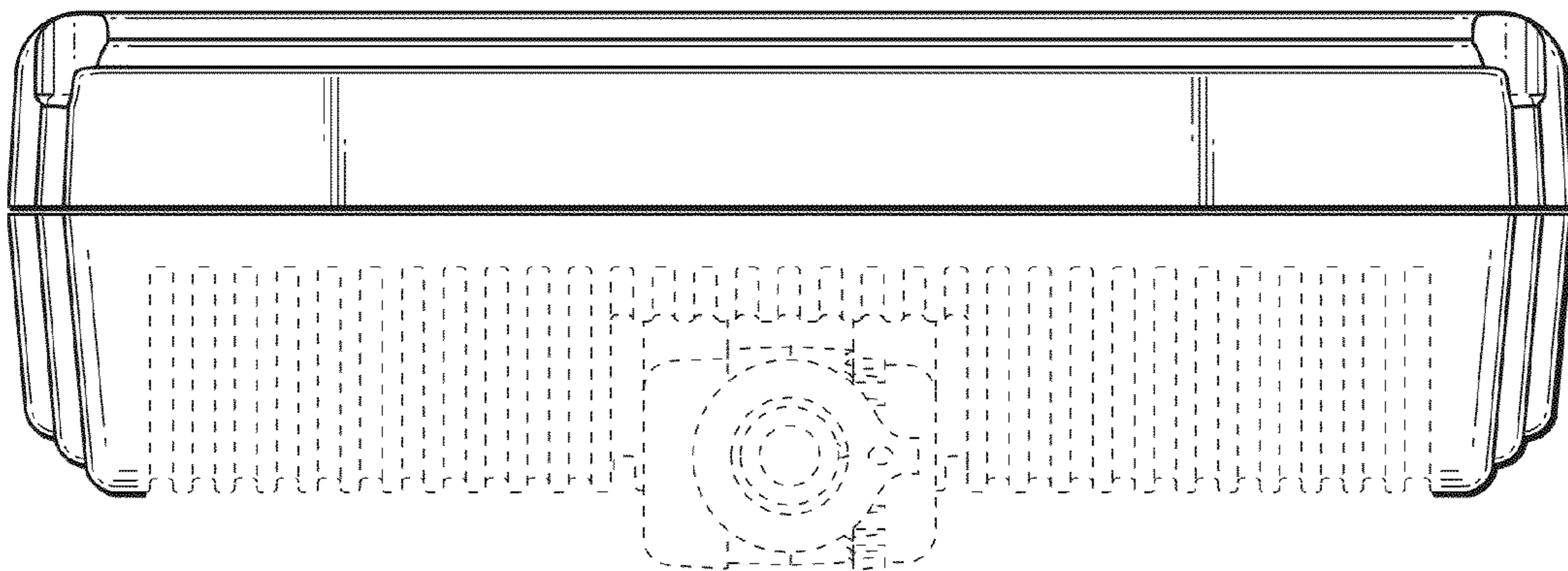


FIG. 7



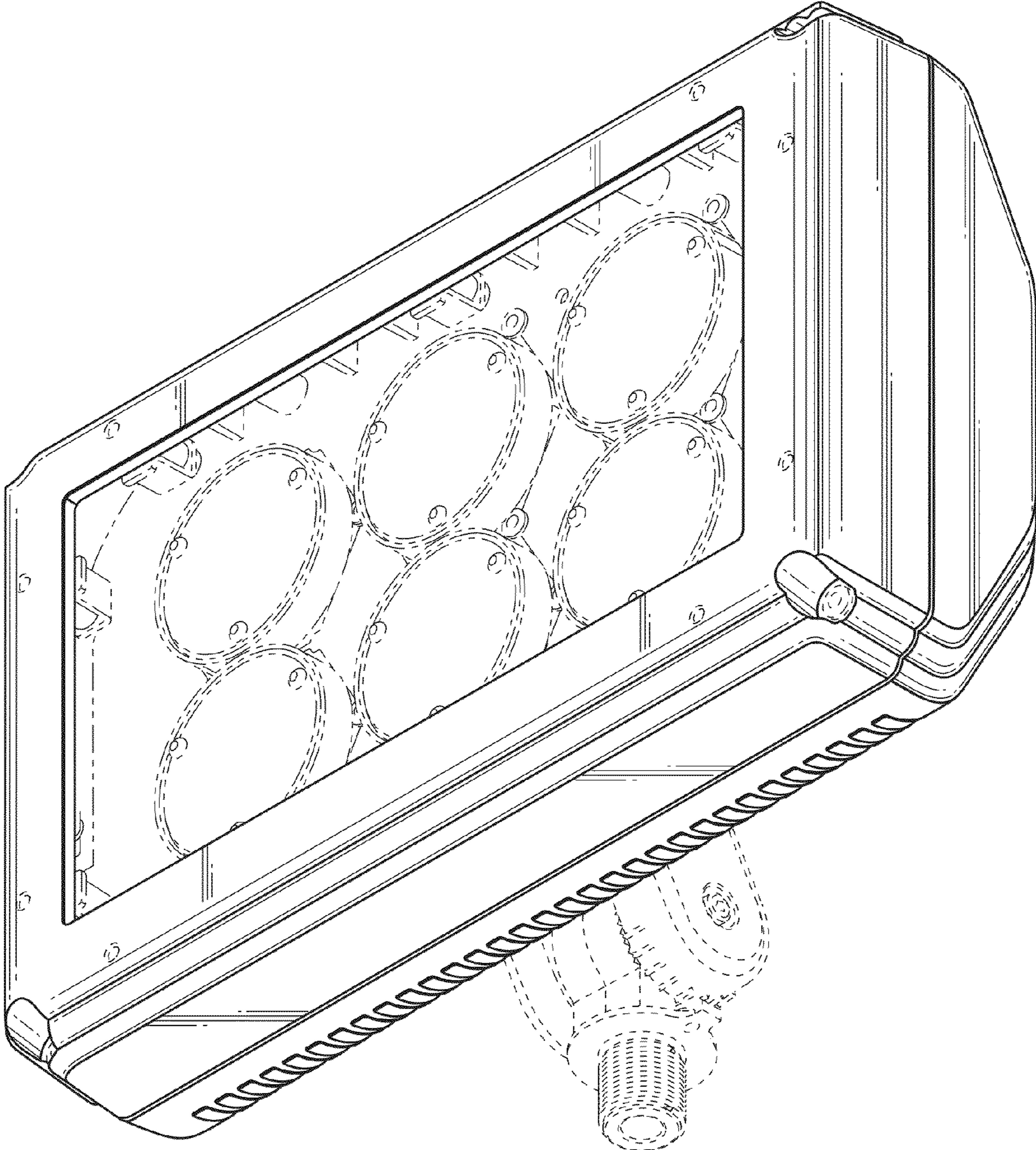


FIG. 8



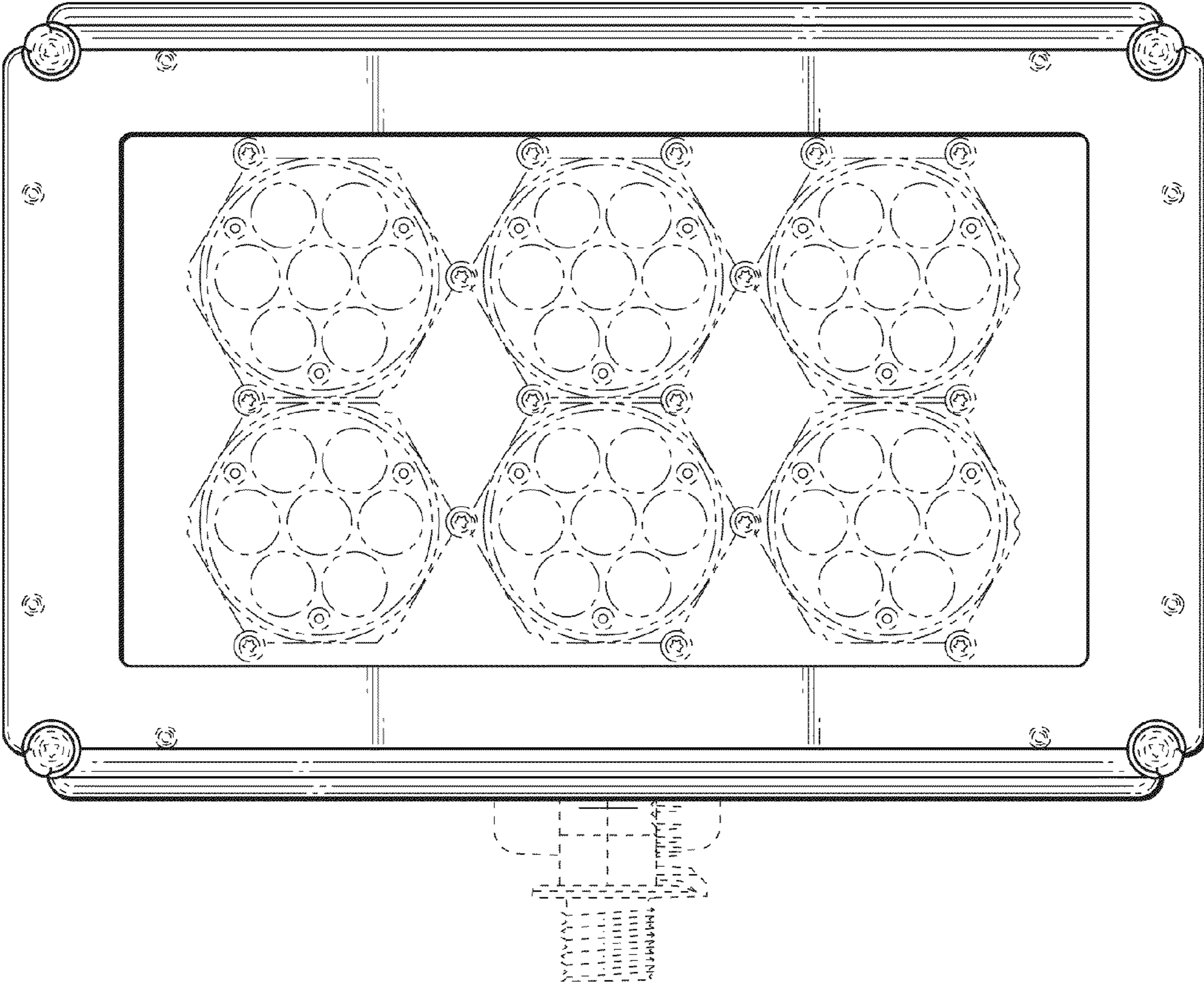


FIG. 9

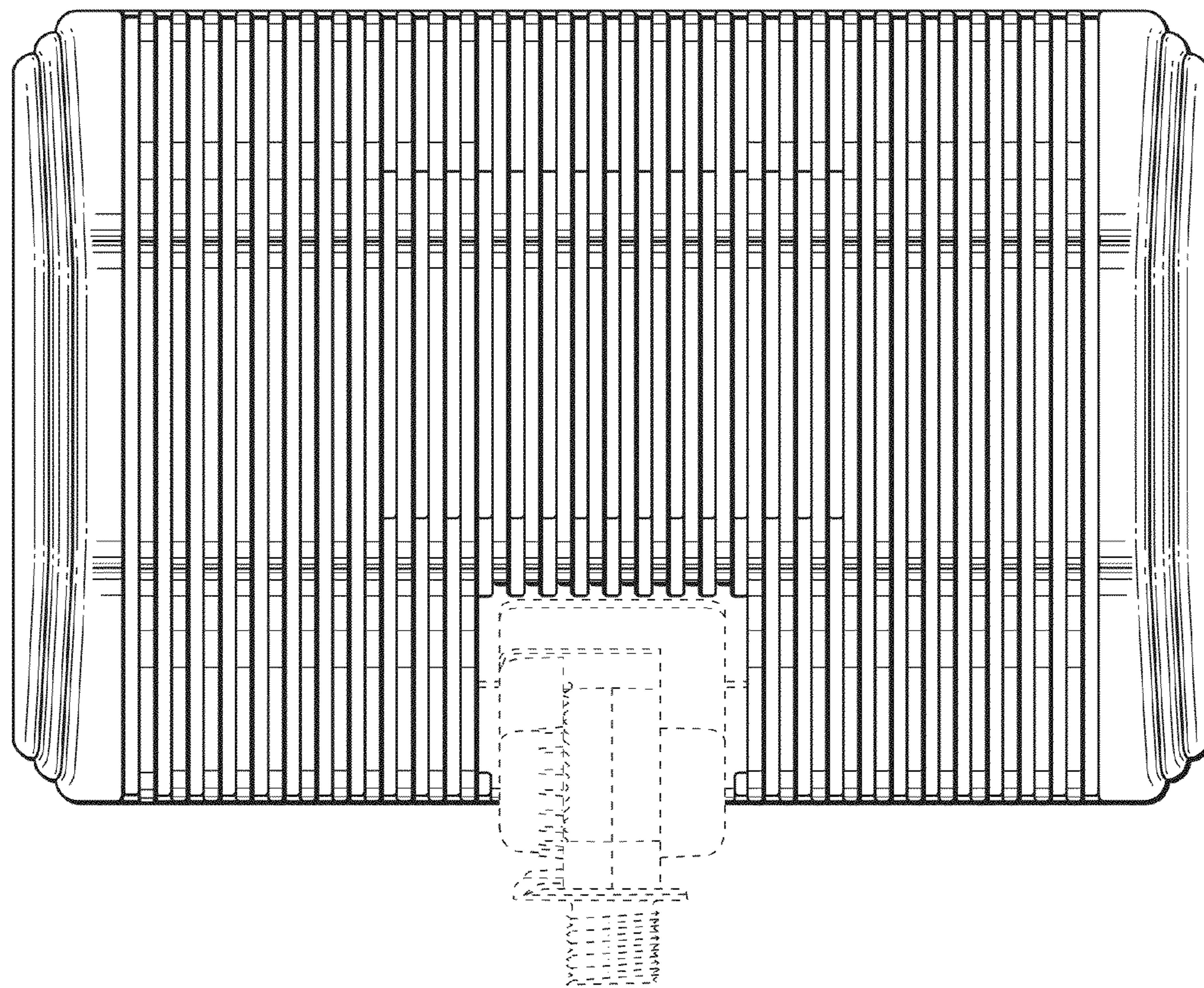


FIG. 10

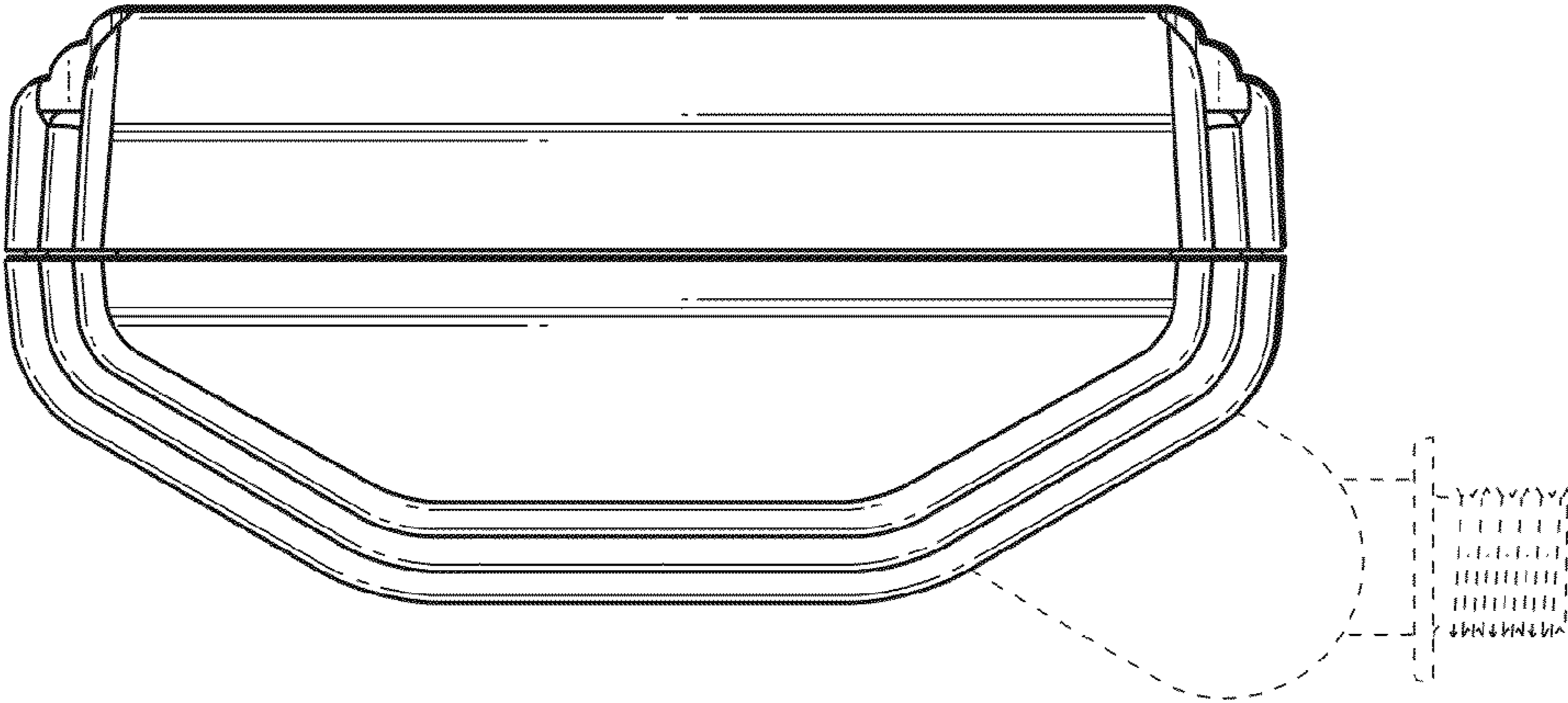


FIG. 12

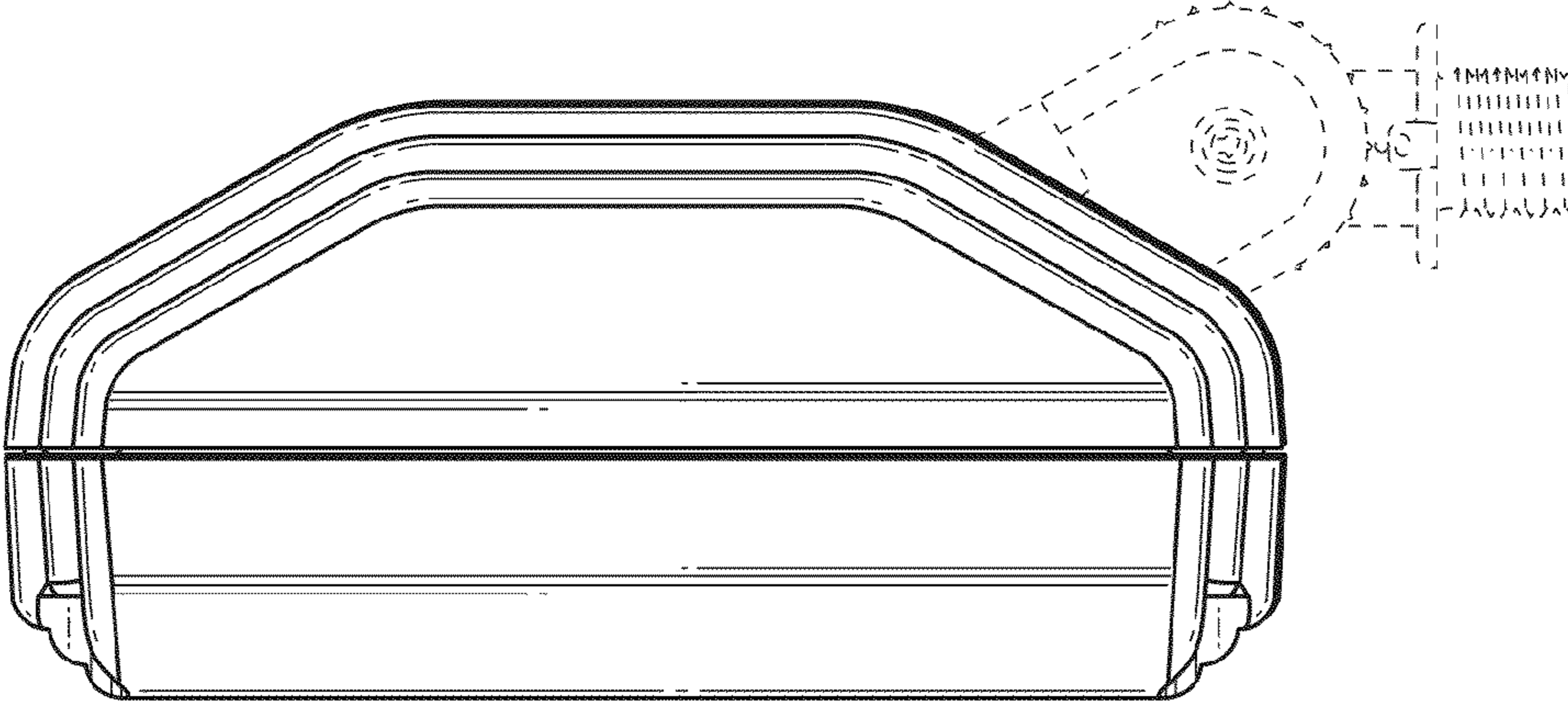


FIG. 11



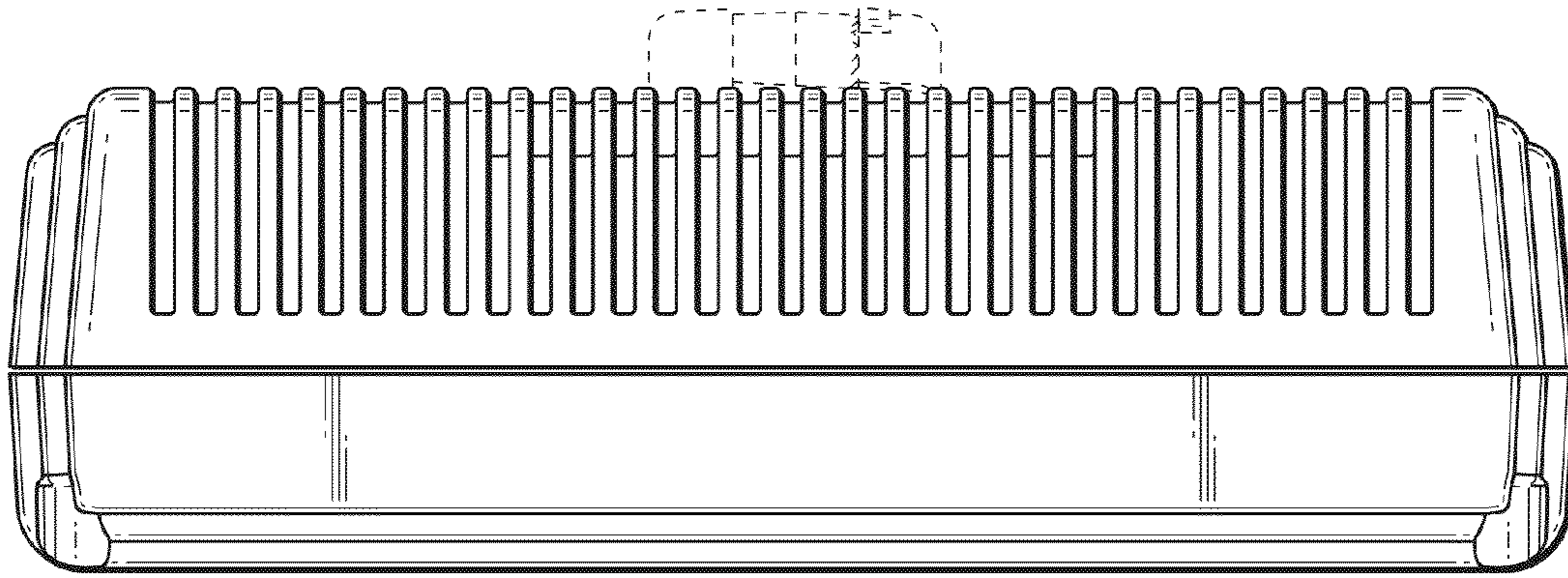


FIG. 13

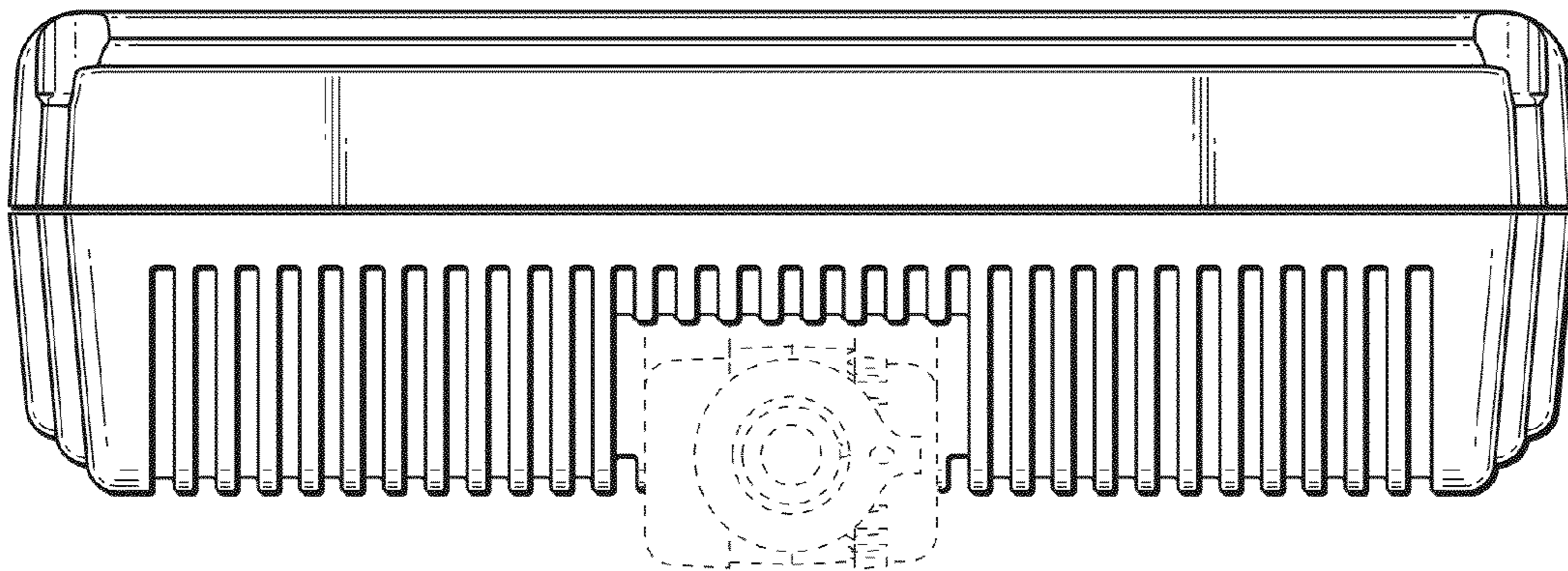


FIG. 14

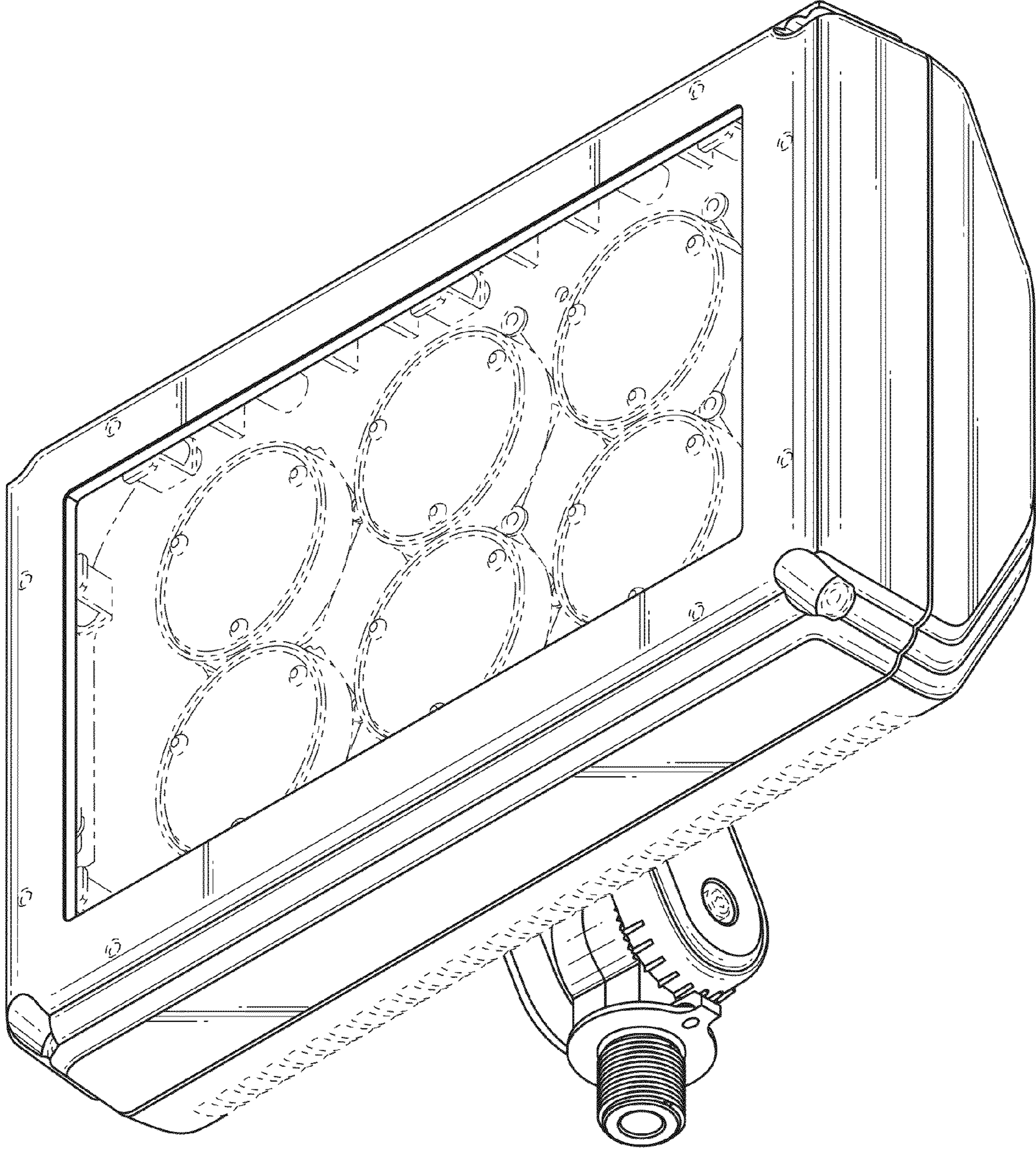


FIG. 15



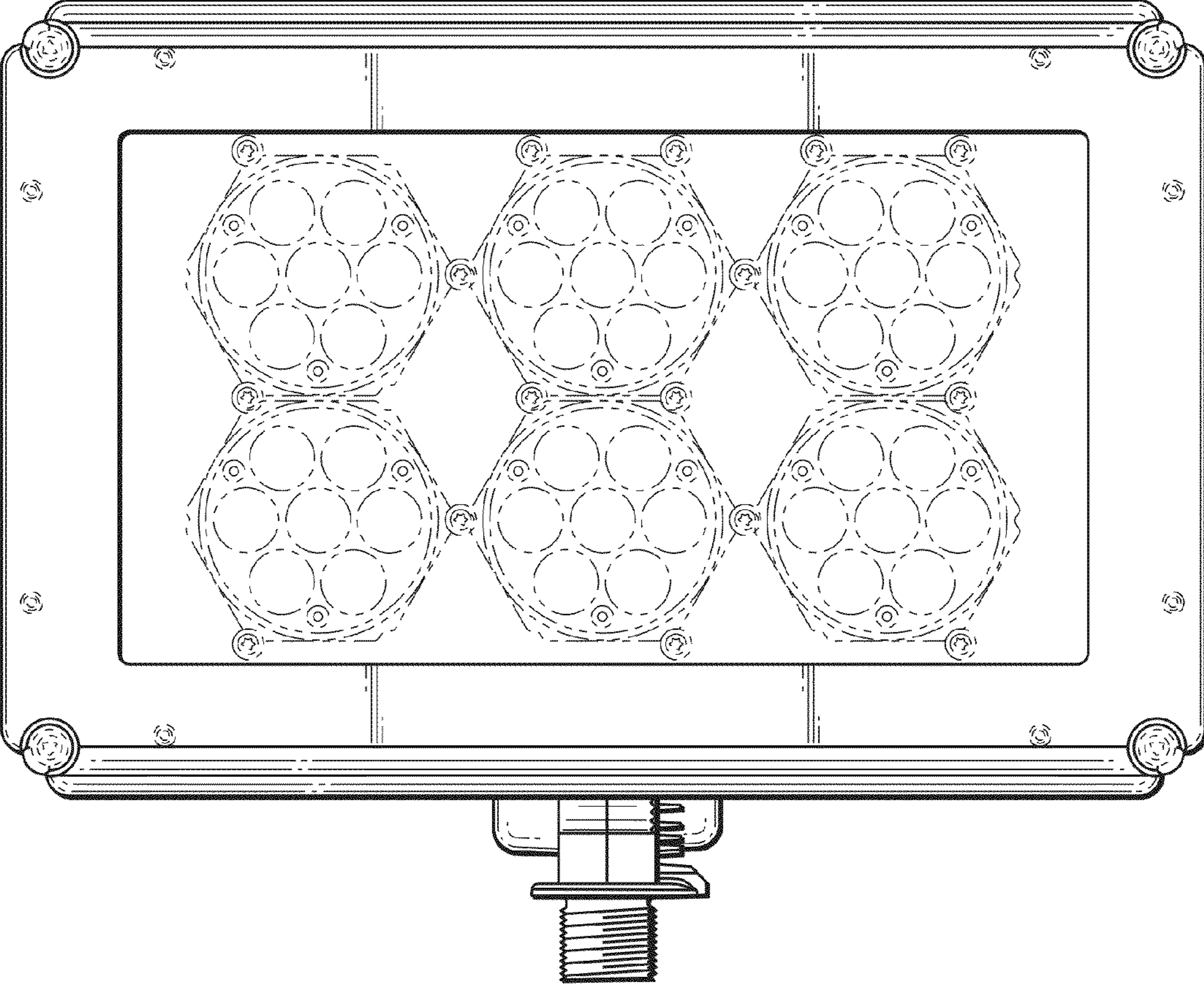


FIG. 16



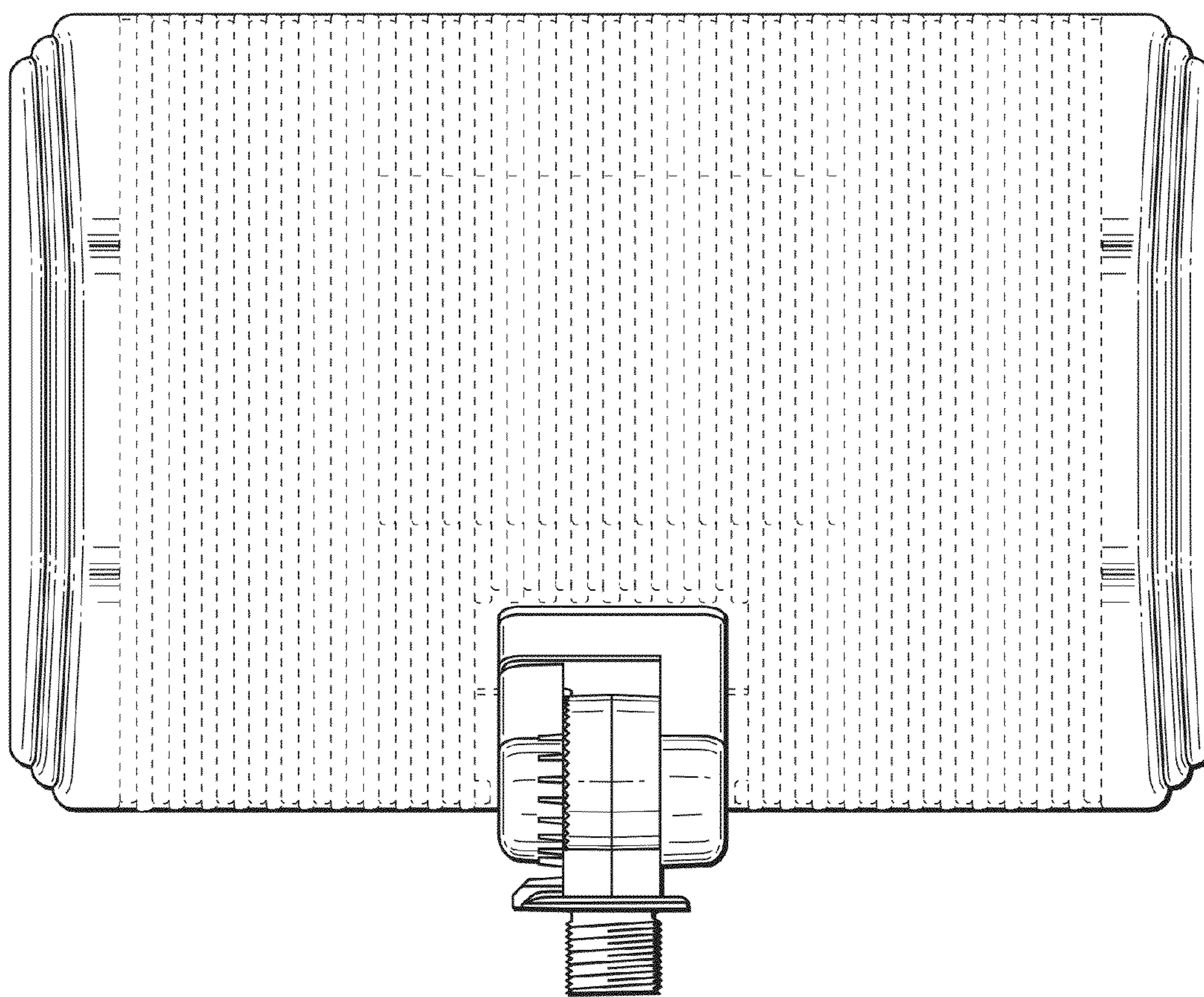


FIG. 17

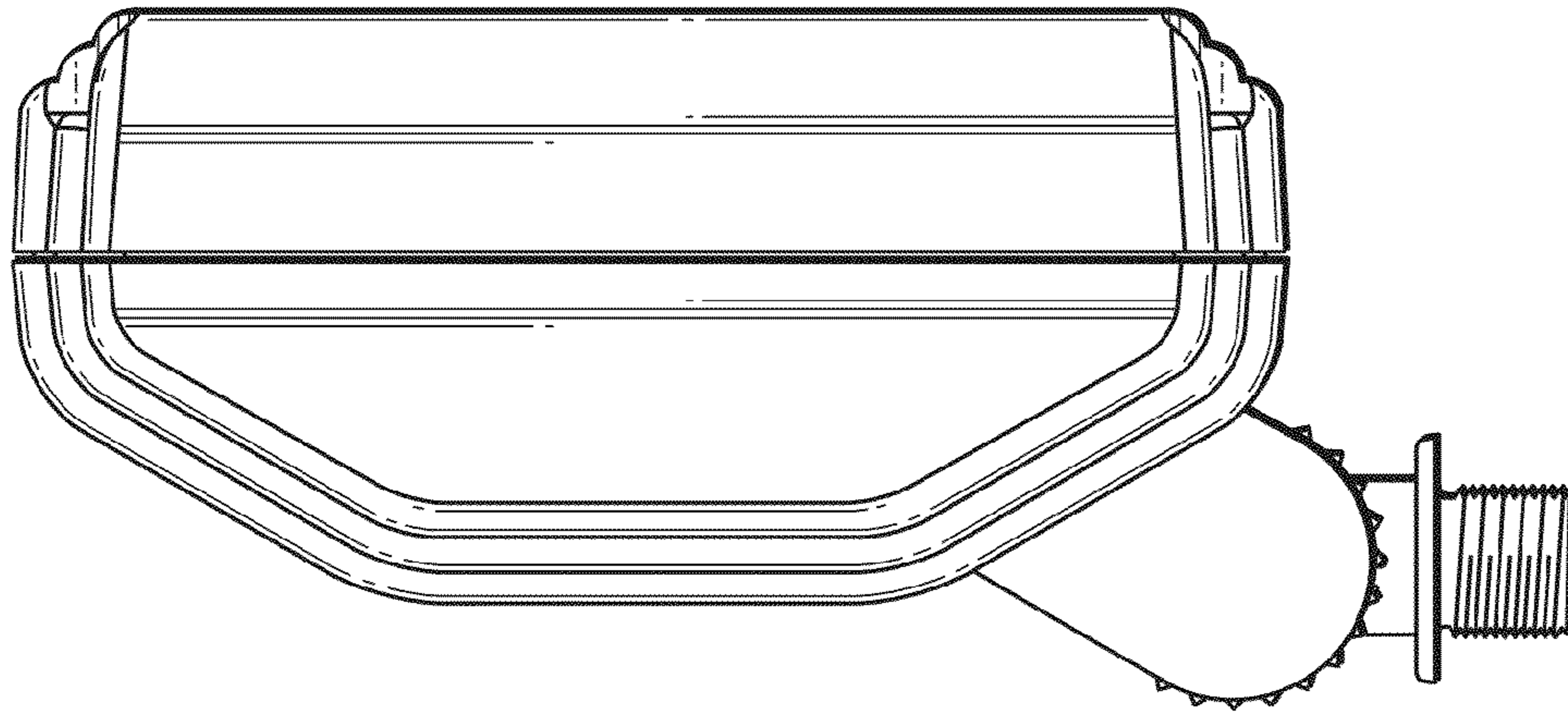


FIG. 19

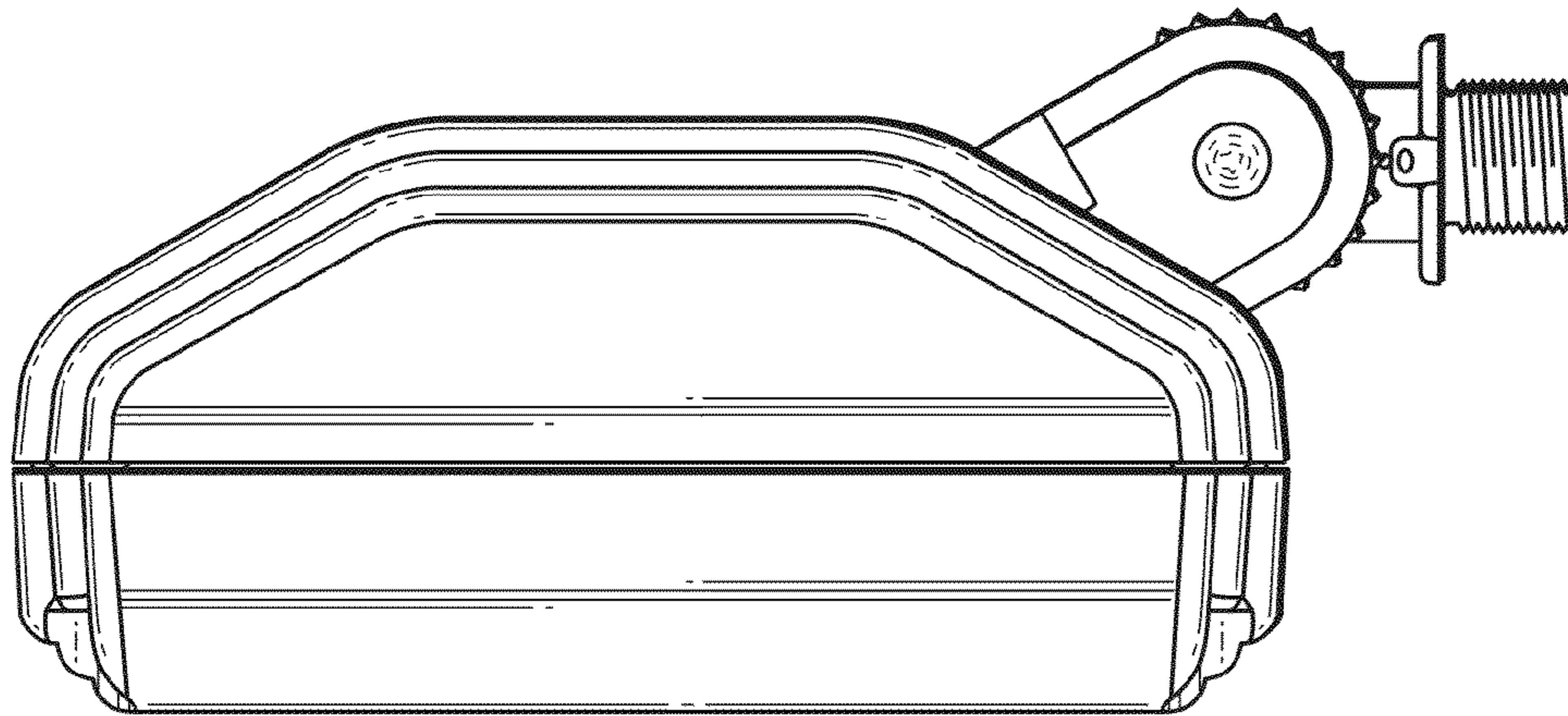


FIG. 18

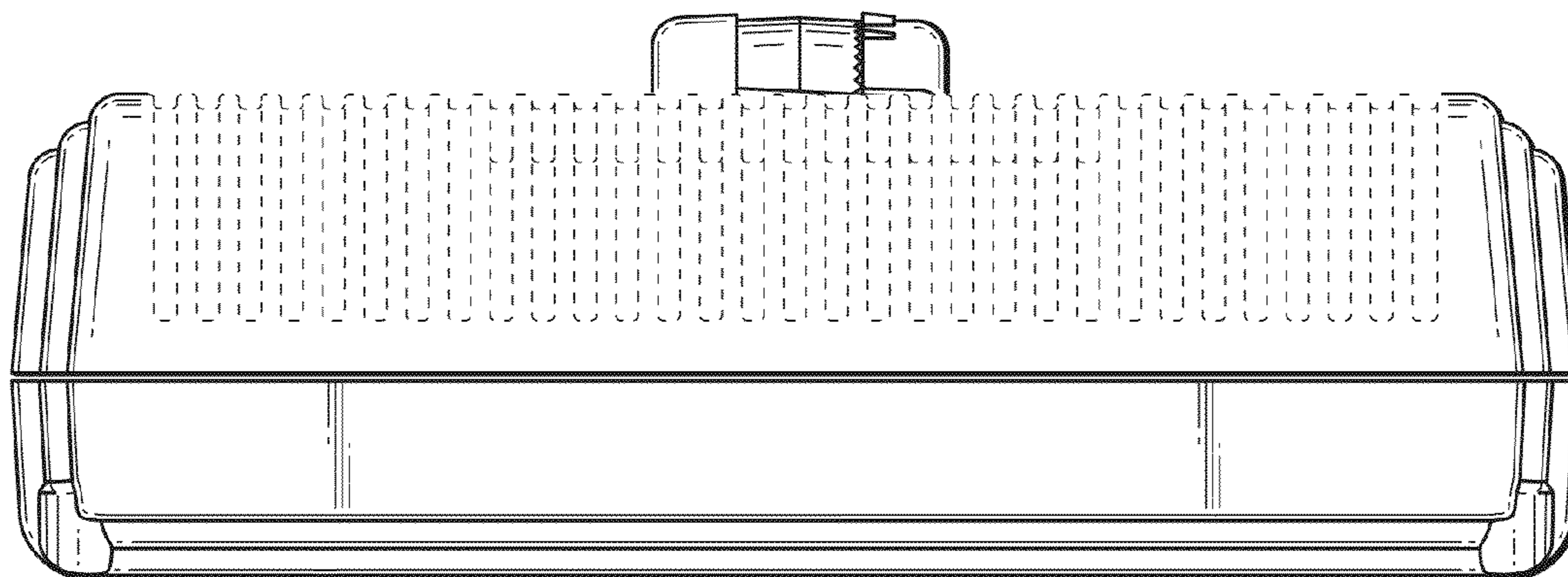


FIG. 20

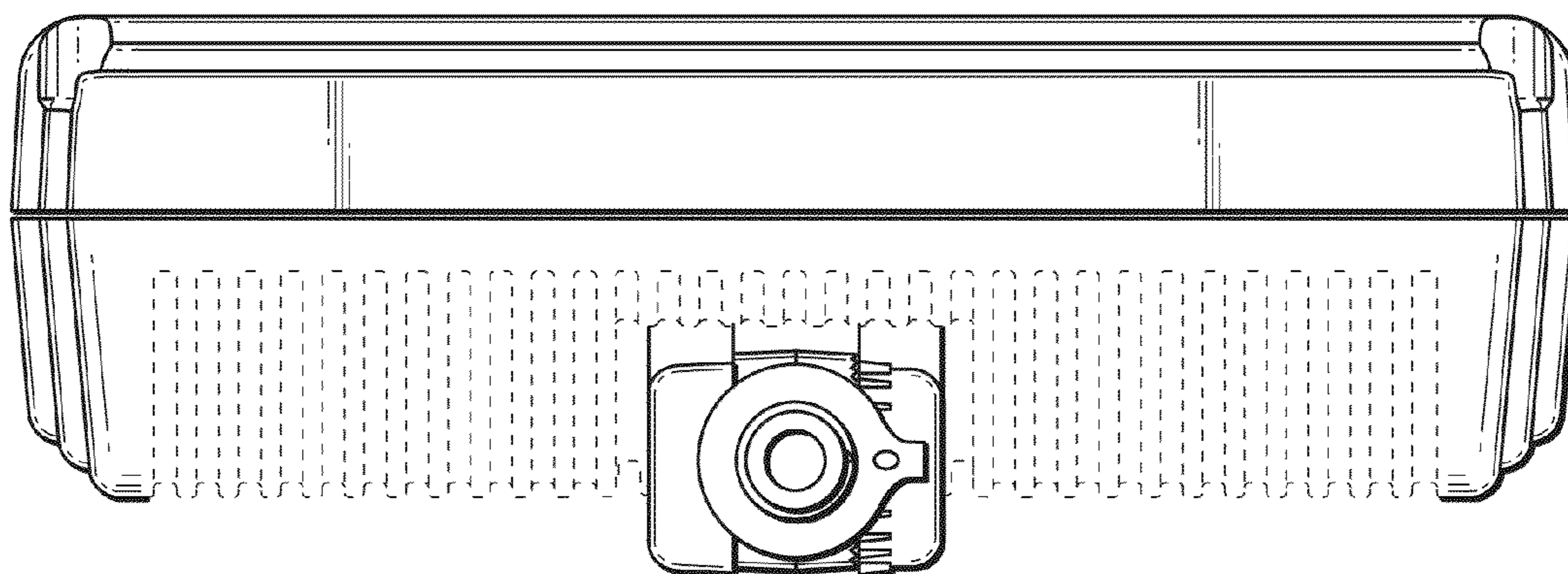


FIG. 21



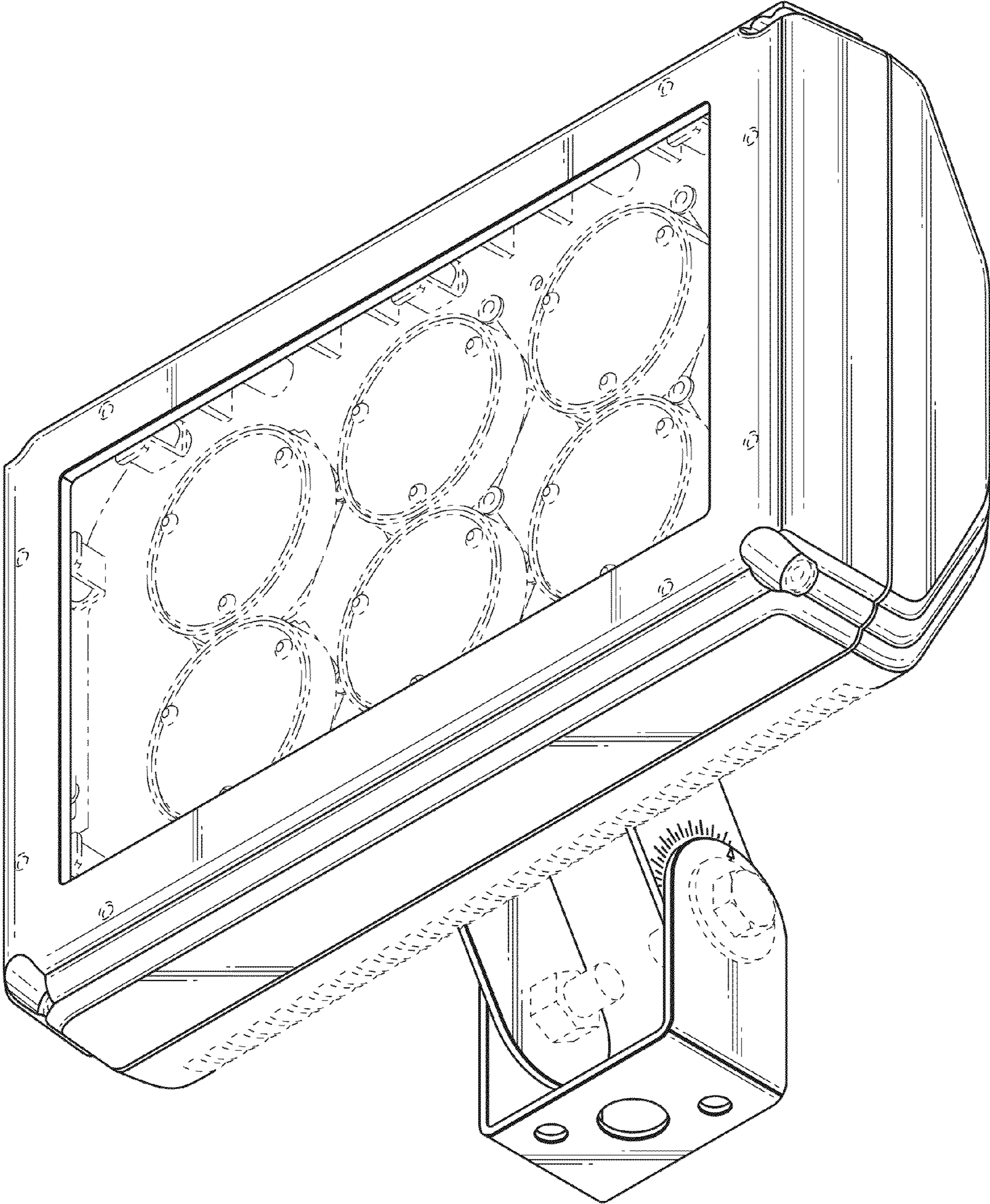


FIG. 22

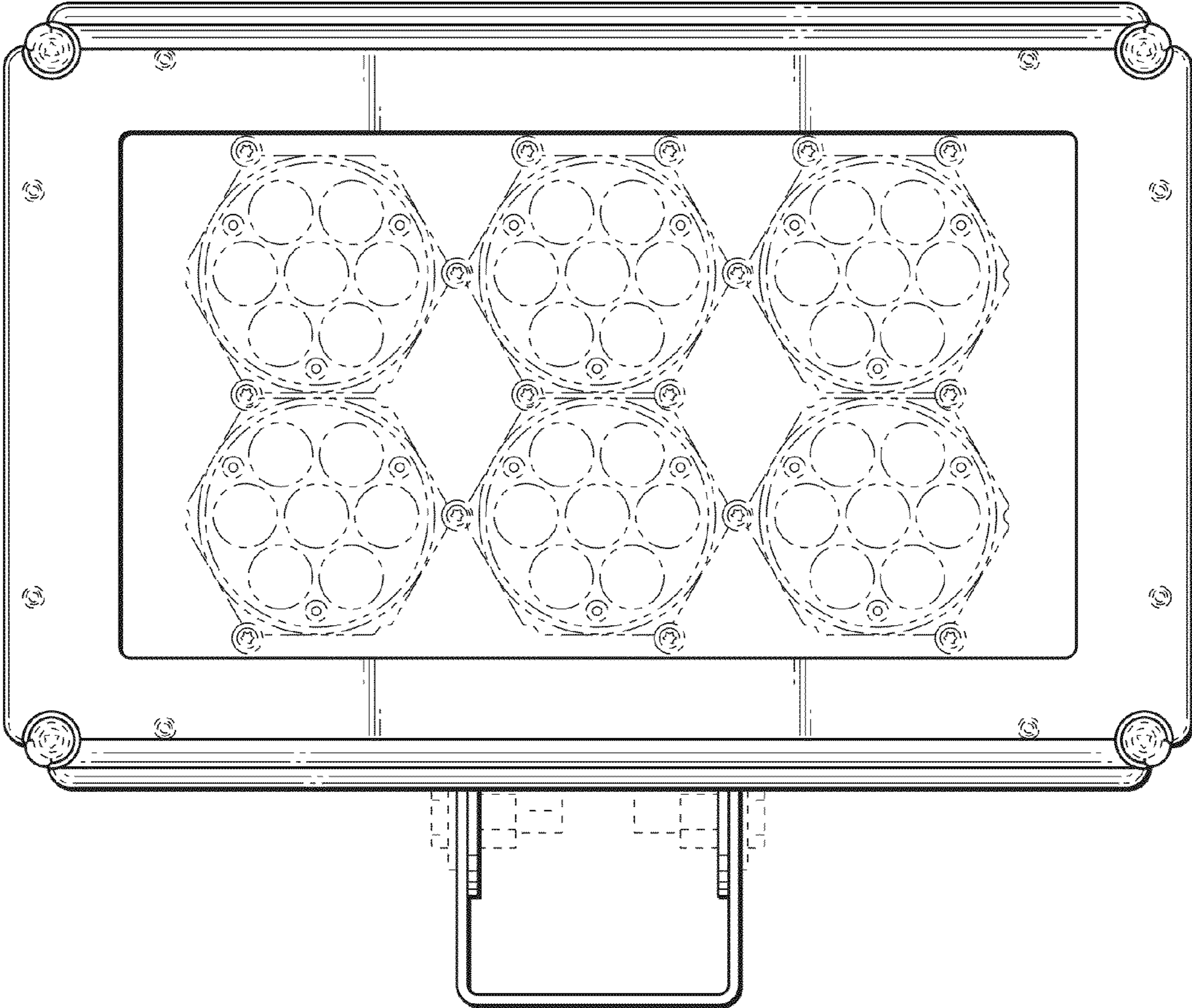


FIG. 23

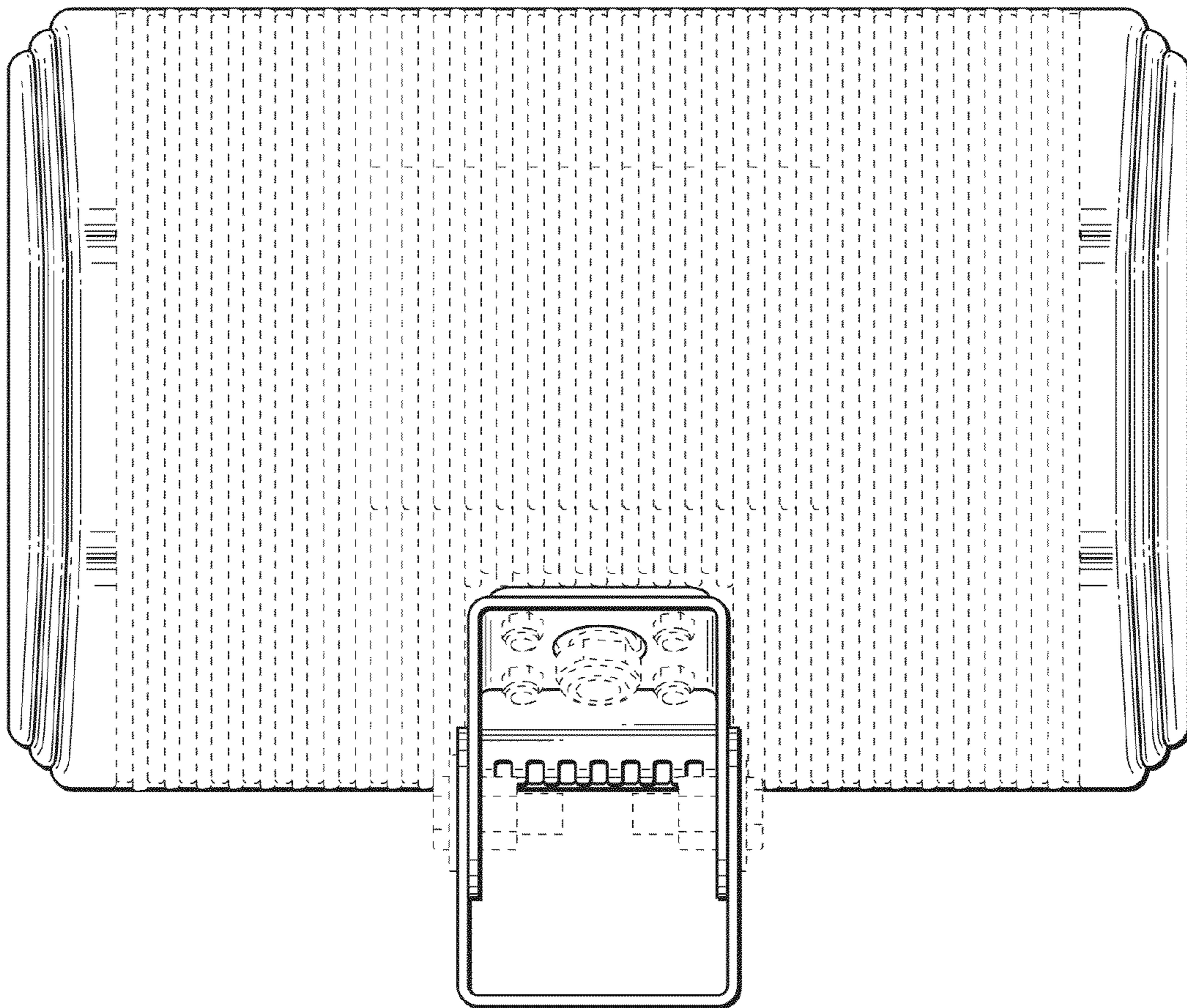


FIG. 24



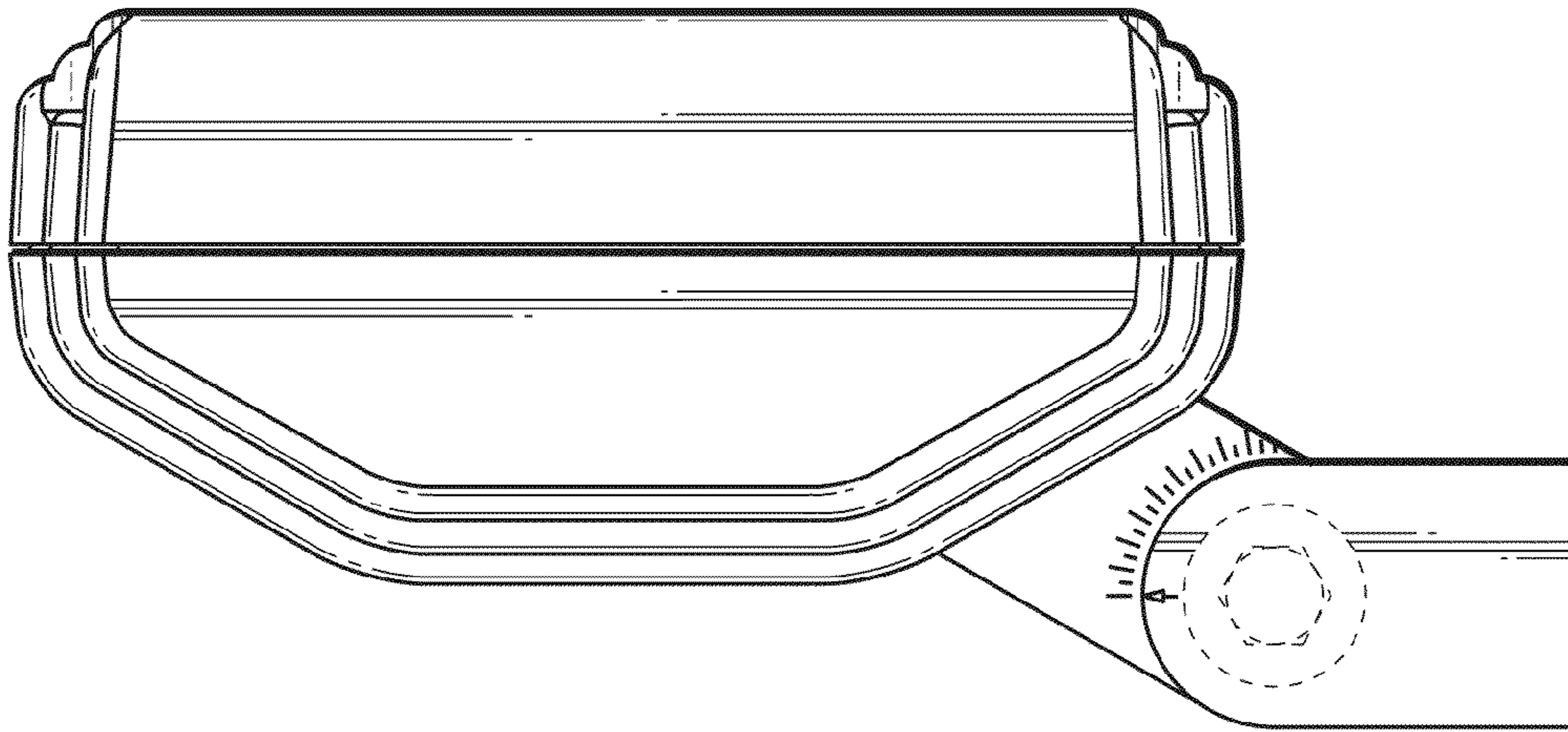


FIG. 26

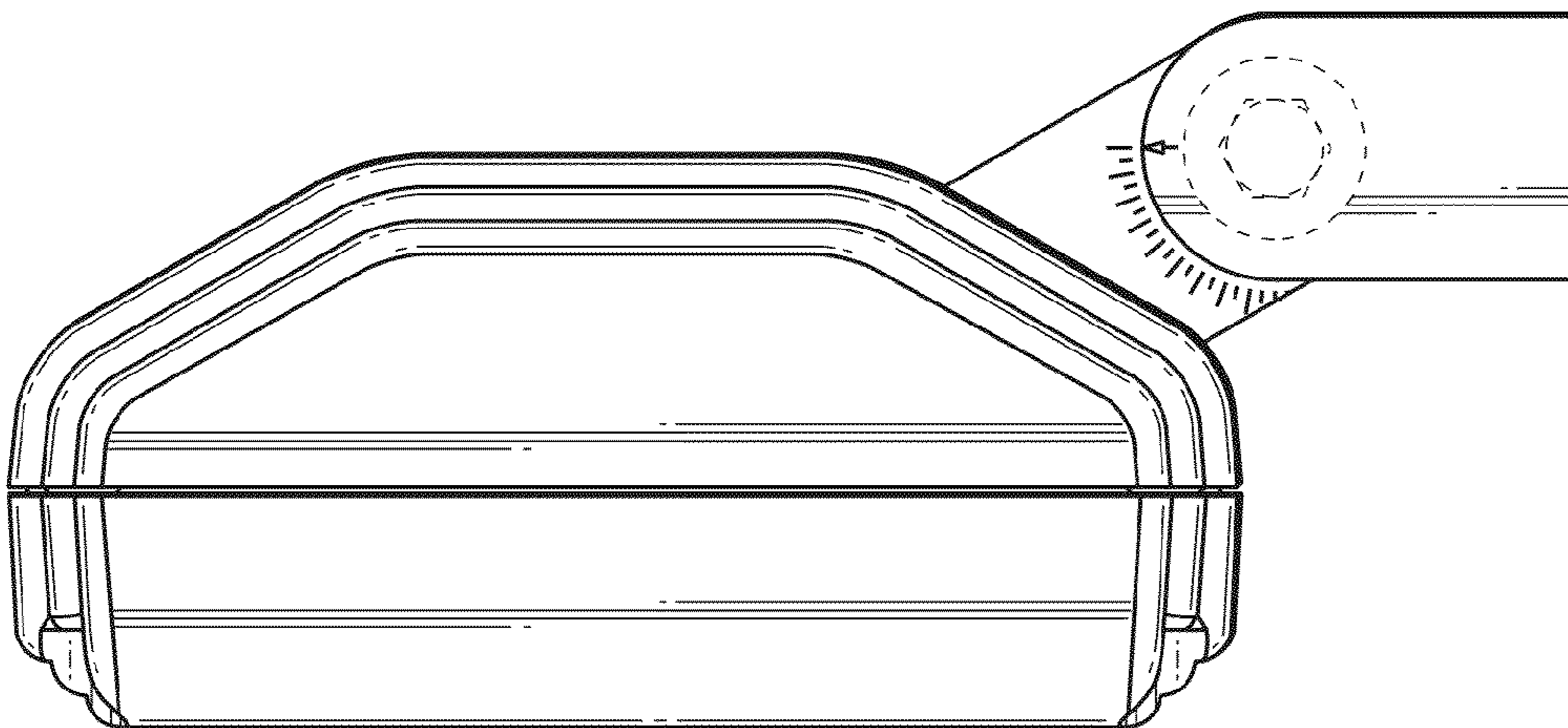


FIG. 25

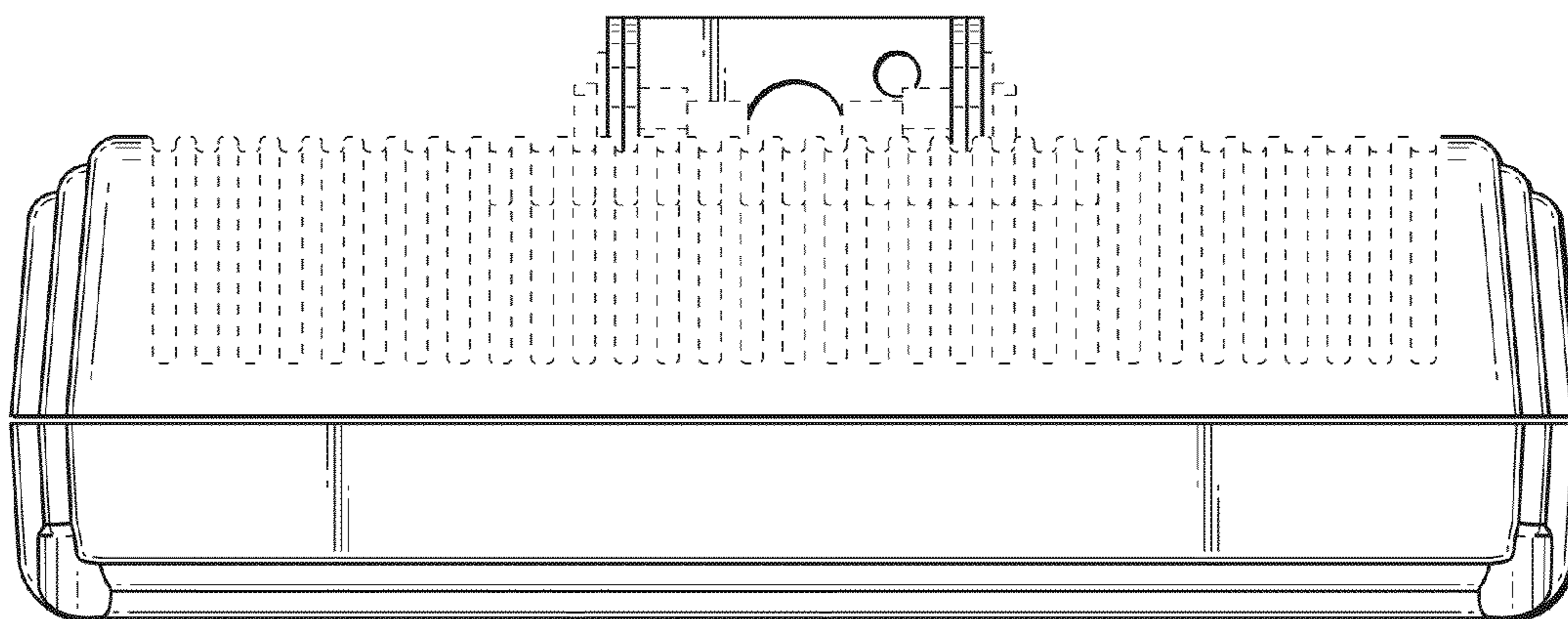


FIG. 27

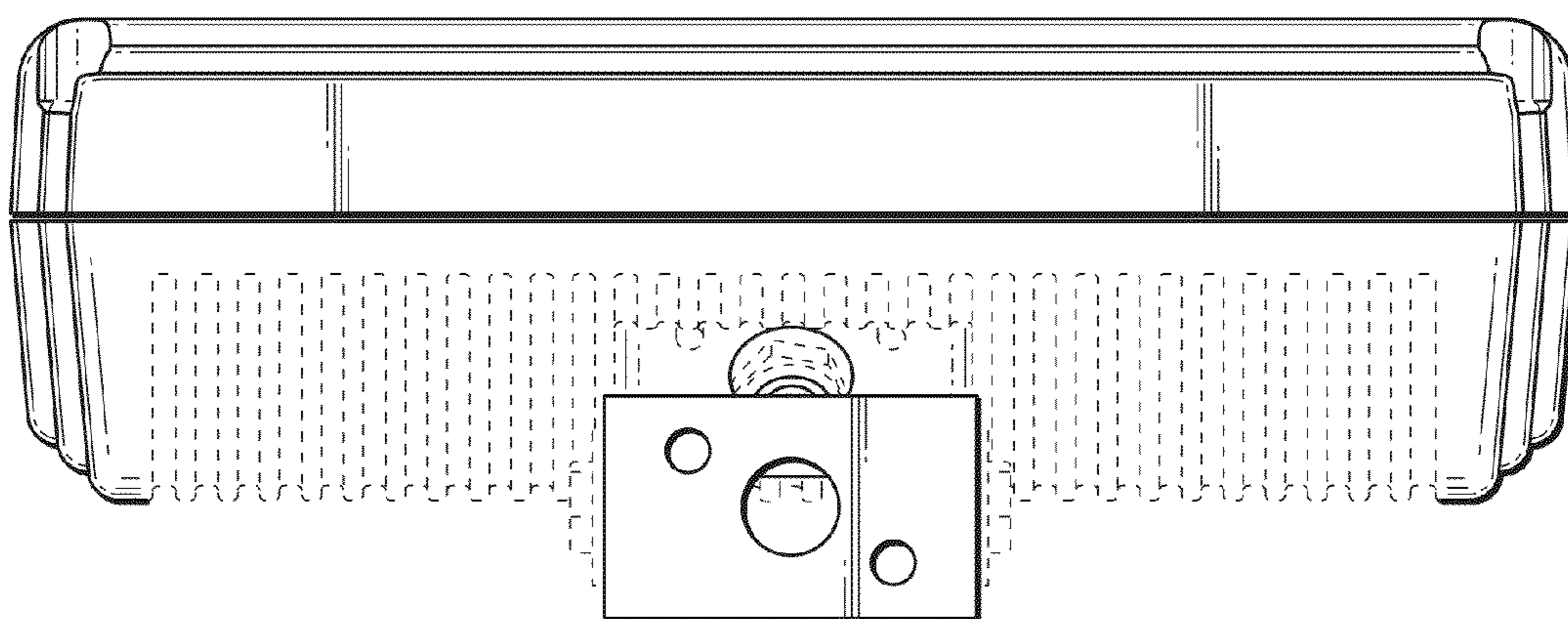


FIG. 28