



US00D708382S

(12) **United States Design Patent**
McGowan

(10) **Patent No.:** **US D708,382 S**

(45) **Date of Patent:** **** Jul. 1, 2014**

(54) **LIGHT BAR**

(71) Applicant: **Triplet Music Products Inc.**, Ottawa (CA)

(72) Inventor: **John G. McGowan**, Ottawa (CA)

(73) Assignee: **Triplet Music Products Inc.**, Ontario (CA)

(**) Term: **14 Years**

(21) Appl. No.: **29/438,352**

(22) Filed: **Nov. 29, 2012**

(51) **LOC (10) Cl.** **26-03**

(52) **U.S. Cl.**
USPC **D26/76; D26/56**

(58) **Field of Classification Search**
CPC F21S 4/00; F21S 8/00; F21W 2131/3005;
F21W 2131/304; F21W 2131/308; F21W
2131/405
USPC D26/51, 56, 72, 75-78, 80, 92, 118;
362/98, 147, 217.01, 218, 219, 222,
362/223, 260, 294, 373
See application file for complete search history.

(56) **References Cited**

U.S. PATENT DOCUMENTS

1,673,595	A *	6/1928	Scoggins	362/98
1,847,051	A *	2/1932	Zabach	362/98
D125,468	S *	2/1941	Dreyfuss	D26/75
D146,982	S *	6/1947	Phillips	D26/51
3,079,491	A	2/1963	Janssen		
D231,942	S *	6/1974	Cincotta	D26/75
3,885,145	A	5/1975	Wise		
4,153,927	A	5/1979	Owens		
D260,187	S *	8/1981	Andersson	D26/85

4,290,093	A	9/1981	Thompson et al.		
4,323,955	A *	4/1982	Mark	362/223
D278,555	S *	4/1985	Cummings	D26/75
4,680,681	A	7/1987	Fisherman et al.		
D304,507	S *	11/1989	Evenson	D26/76
D311,596	S *	10/1990	Herst et al.	D26/85
D318,534	S *	7/1991	Deursen et al.	D26/76

(Continued)

FOREIGN PATENT DOCUMENTS

EP	1371897	12/2003
FR	2424004	11/1979
WO	95/33624	12/1995

OTHER PUBLICATIONS

Abileah, A. "Backlight-Unit Basics." Information Display: Guest Editorial. vol. 28, No. 4, Apr. 2012, pp. 6, 48 (2 pages).

(Continued)

Primary Examiner — Clare E Heflin
(74) *Attorney, Agent, or Firm* — Nixon Peabody LLP

(57) **CLAIM**

The ornamental design for a light bar, as shown and described.

DESCRIPTION

FIG. 1 is a perspective view of the design as applied to a light bar.

FIG. 2 is a rear view of the design of FIG. 1.

FIG. 3 is a top view of the design of FIG. 1.

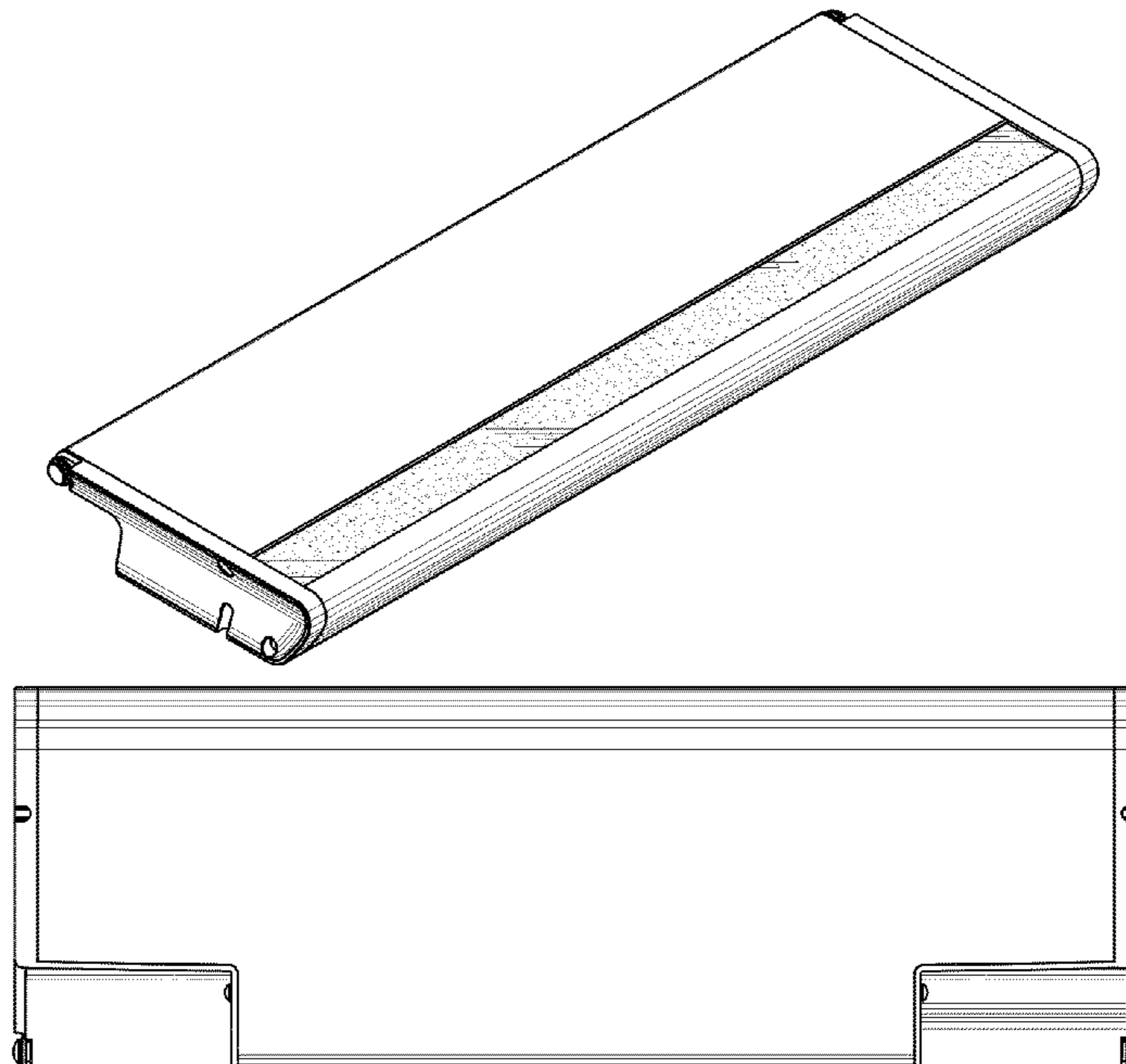
FIG. 4 is a front view of the design of FIG. 1.

FIG. 5 is a right side view of the design of FIG. 1.

FIG. 6 is a left side view of the design of FIG. 1; and,

FIG. 7 is a bottom view of the design of FIG. 1.

1 Claim, 2 Drawing Sheets



(56)

References Cited

U.S. PATENT DOCUMENTS

D330,090 S * 10/1992 Walter et al. D26/51
 D338,980 S * 8/1993 Dieperink D26/87
 5,381,310 A 1/1995 Brotz
 5,649,759 A * 7/1997 Korte 362/222
 5,658,067 A * 8/1997 Engle et al. 362/222
 D415,304 S * 10/1999 Brown D26/87
 6,088,941 A 7/2000 Inbar et al.
 6,280,052 B1 8/2001 White
 D452,340 S * 12/2001 Pickett et al. D26/76
 6,520,643 B1 2/2003 Holman et al.
 D472,007 S * 3/2003 Weitgasser D26/76
 6,558,014 B2 5/2003 Just et al.
 D496,750 S * 9/2004 Waldmann D26/78
 6,830,356 B2 12/2004 Larocque
 6,951,403 B2 10/2005 Bennett, Jr.
 6,954,260 B2 10/2005 Arnold et al.
 D512,526 S * 12/2005 Zucker D26/76
 7,001,060 B1 2/2006 Kimura
 D545,476 S * 6/2007 Friedman D26/76
 7,261,435 B2 8/2007 Gould et al.
 7,360,916 B2 * 4/2008 Sanborn et al. 362/223
 D581,079 S * 11/2008 Mier-Langner D26/72
 D602,189 S * 10/2009 Zambelli et al. D26/76

7,611,260 B1 11/2009 Lin et al.
 D608,043 S * 1/2010 Ko D26/76
 7,695,180 B2 4/2010 Schardt et al.
 2003/0103351 A1 6/2003 Privas et al.
 2008/0030983 A1 * 2/2008 Pickett et al. 362/222
 2008/0204888 A1 8/2008 Kan et al.
 2011/0116265 A1 5/2011 Salm
 2012/0176786 A1 7/2012 Presley et al.

OTHER PUBLICATIONS

Lee, H-W. et al. "Improvement of Illumination Uniformity for LED Flat Panel Light by Using Micro-Secondary Lens Array." Optics Express. vol. 20, No. Suppl. 6, Nov. 5, 2012, pp. A788-A798 (11 pages).
 "The World is Our Stage." Manhasset Specialty Company: Product Brochure [online], [retrieved on Nov. 13, 2013] Oct. 5, 2011. Retrieved from the Internet: <URL: <http://www.manhasset-specialty.com/pdfs/ManhassetCatalog-HighRes.pdf>> (8 pages).
 "Triplet Light Quick Reference Guide." Triplet Music Inc. [online], [retrieved on Nov. 13, 2013] Feb. 21, 2013. Retrieved from the Internet: <URL: https://www.tripletlight.com/sites/default/files/uploads/user-manual/tripletlight_instructions_july23.2013.pdf> (4 pages).

* cited by examiner

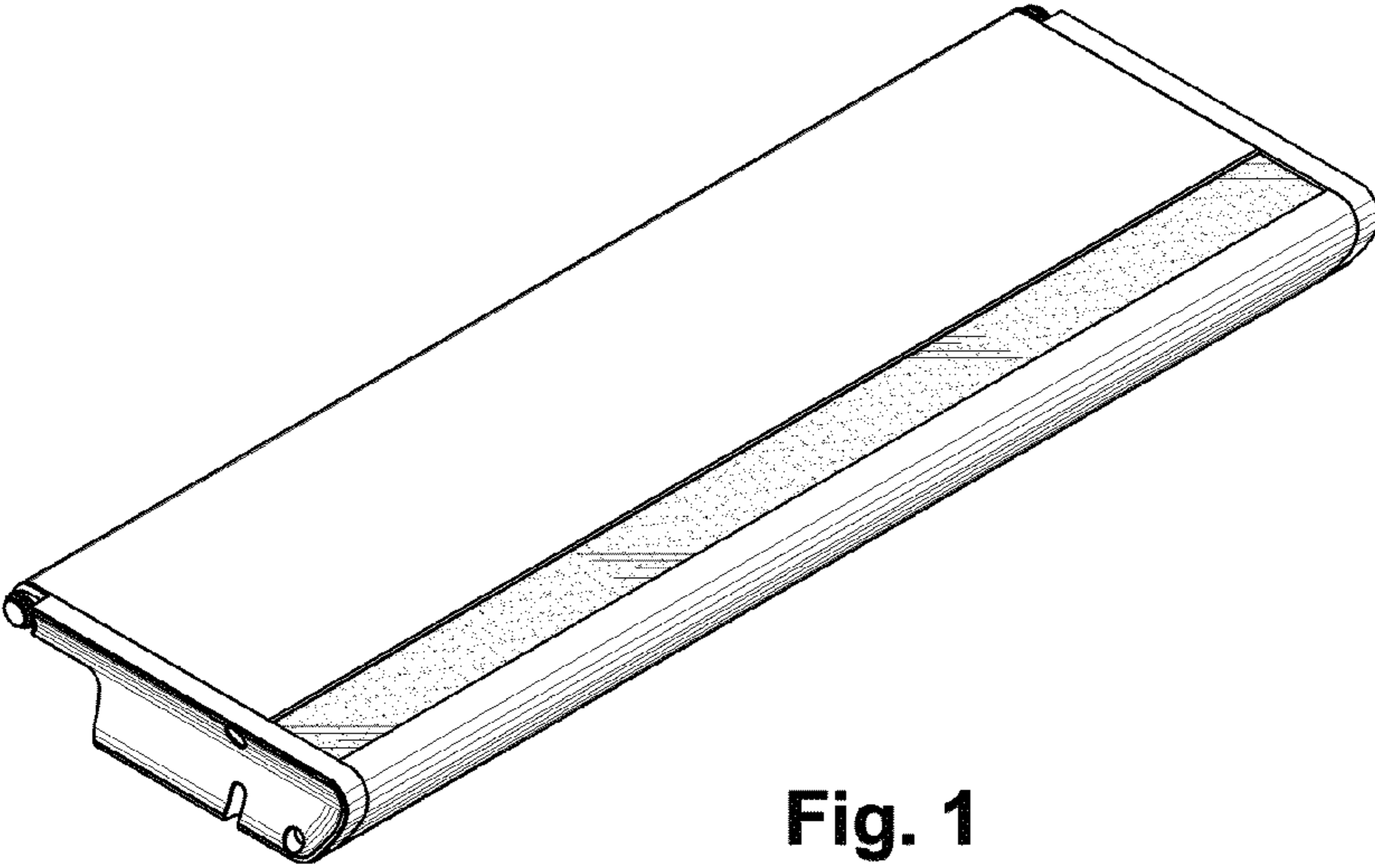


Fig. 1



Fig. 2

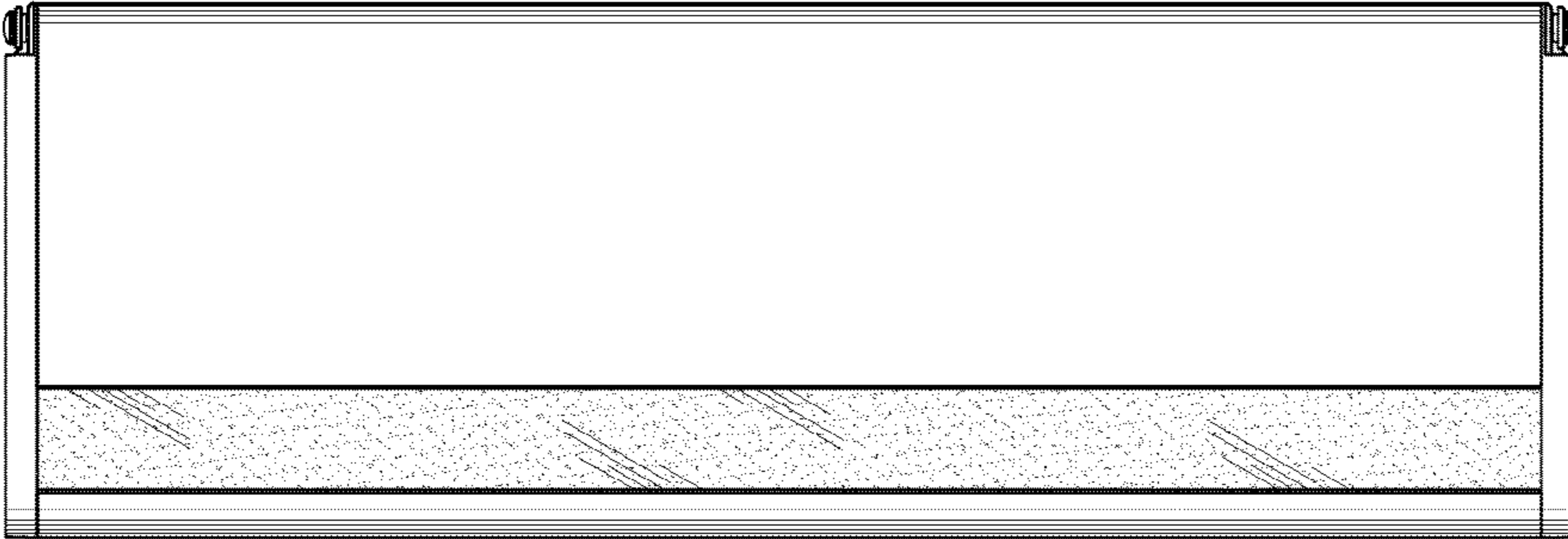


Fig. 3

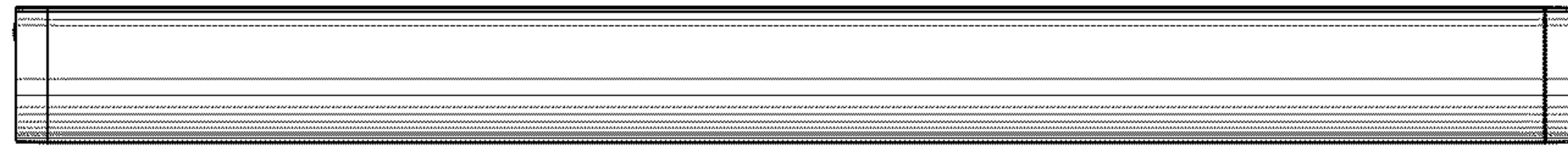


Fig. 4

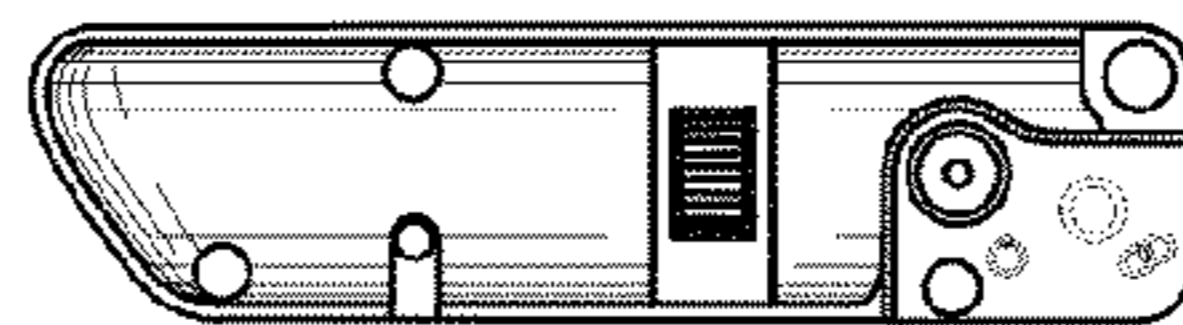


Fig. 5

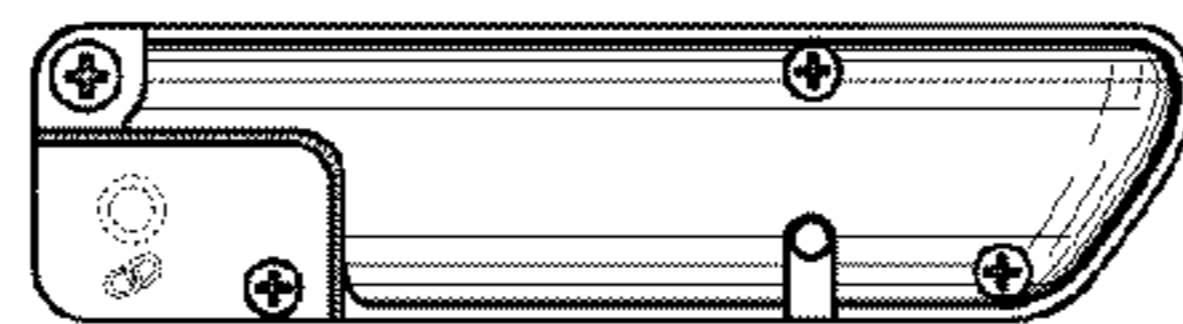


Fig. 6

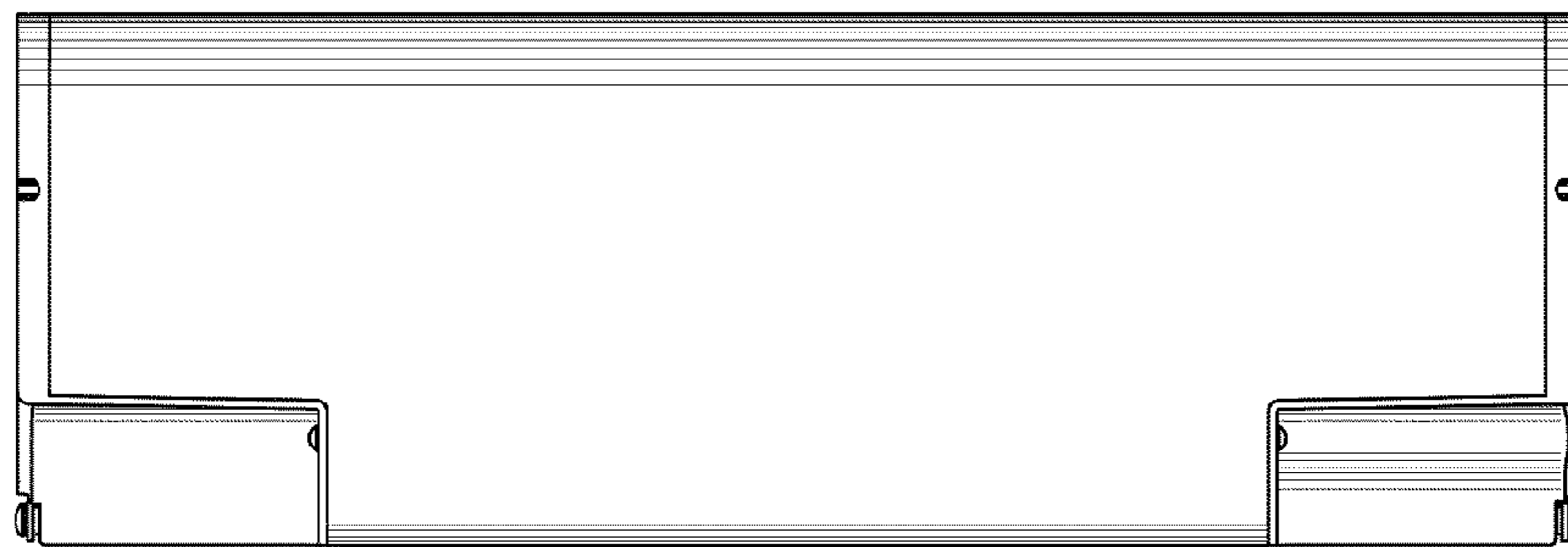


Fig. 7