



US00D708381S

(12) **United States Design Patent**
Rashidi

(10) **Patent No.:** **US D708,381 S**

(45) **Date of Patent:** **** Jul. 1, 2014**

(54) **UNIVERSAL ADJUSTABLE LED RETROFIT LIGHTING MODULE SINGLE LED REFLECTOR WITH EXTRA RING**

(76) Inventor: **Hamid Rashidi**, Commerce, CA (US)

(**) Term: **14 Years**

(21) Appl. No.: **29/419,737**

(22) Filed: **May 1, 2012**

(51) **LOC (10) Cl.** **26-05**

(52) **U.S. Cl.**
USPC **D26/74**

(58) **Field of Classification Search**
USPC D26/24, 72, 80, 81, 83, 85, 88, 89, 91,
D26/113, 118, 123, 124, 138, 74, 76;
362/145, 146, 147, 148, 150, 153, 294,
362/296.01, 296.07, 296.08, 311.07,
362/311.09, 311.1, 345, 364, 365, 366, 373
See application file for complete search history.

(56) **References Cited**

U.S. PATENT DOCUMENTS

D326,729 S *	6/1992	Gattari	D26/74
D431,316 S *	9/2000	Tickner	D26/118
D571,497 S *	6/2008	Chan et al.	D26/74
D583,980 S *	12/2008	Guercio	D26/88
D610,290 S *	2/2010	Yoshinobu et al.	D26/74
D610,292 S *	2/2010	Yoshinobu et al.	D26/74
D624,691 S *	9/2010	Zhang et al.	D26/138
D658,802 S *	5/2012	Chen	D26/74
8,182,116 B2 *	5/2012	Zhang et al.	362/294
2010/0110699 A1 *	5/2010	Chou	362/365
2010/0246172 A1 *	9/2010	Liu	362/235
2010/0315812 A1 *	12/2010	Liu	362/235
2011/0222291 A1 *	9/2011	Peng	362/294

* cited by examiner

Primary Examiner — Angela J Lee

(74) *Attorney, Agent, or Firm* — Thomas I. Rozsa

(57) **CLAIM**

The ornamental design for a universal adjustable LED retrofit lighting module single LED reflector with extra ring, as shown and described.

DESCRIPTION

FIG. 1 is a top perspective view in the non-rotated position of a universal adjustable LED retrofit lighting module single LED reflector with extra ring, showing my design.

FIG. 2 is a bottom perspective view thereof;

FIG. 3 is a side elevational view thereof when viewed from the right side;

FIG. 4 is a side elevational view thereof when viewed from the left side;

FIG. 5 is a front elevational view thereof;

FIG. 6 is a rear elevational view thereof;

FIG. 7 is a top plan view thereof;

FIG. 8 is a bottom plan view thereof;

FIG. 9 is an exploded view thereof;

FIG. 10 is a top perspective view in the rotated position of a universal adjustable LED retrofit lighting module single LED reflector with extra ring, showing my design.

FIG. 11 is a bottom perspective view thereof;

FIG. 12 is a side elevational view thereof when viewed from the right side;

FIG. 13 is a side elevational view thereof when viewed from the left side;

FIG. 14 is a front elevational view thereof;

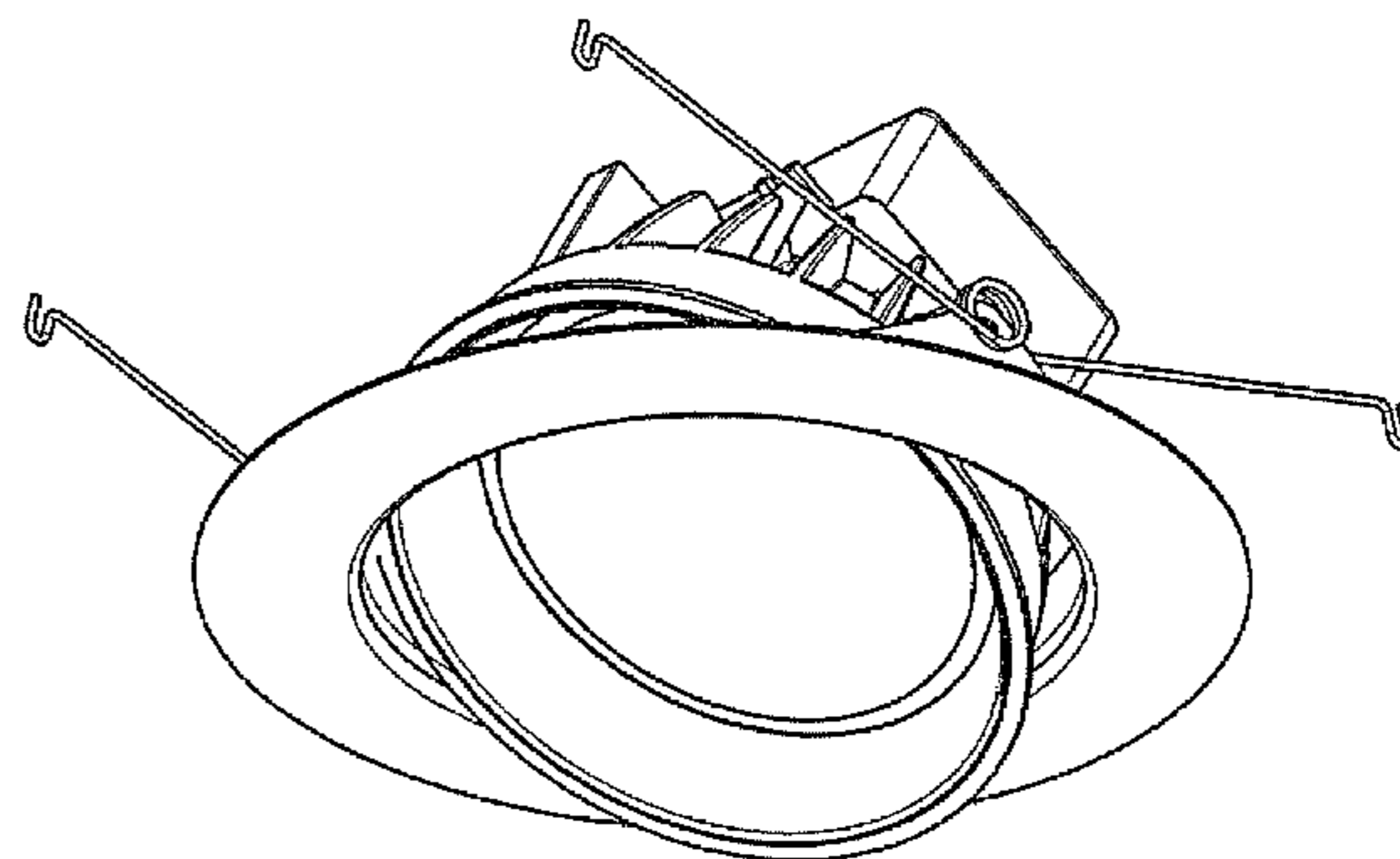
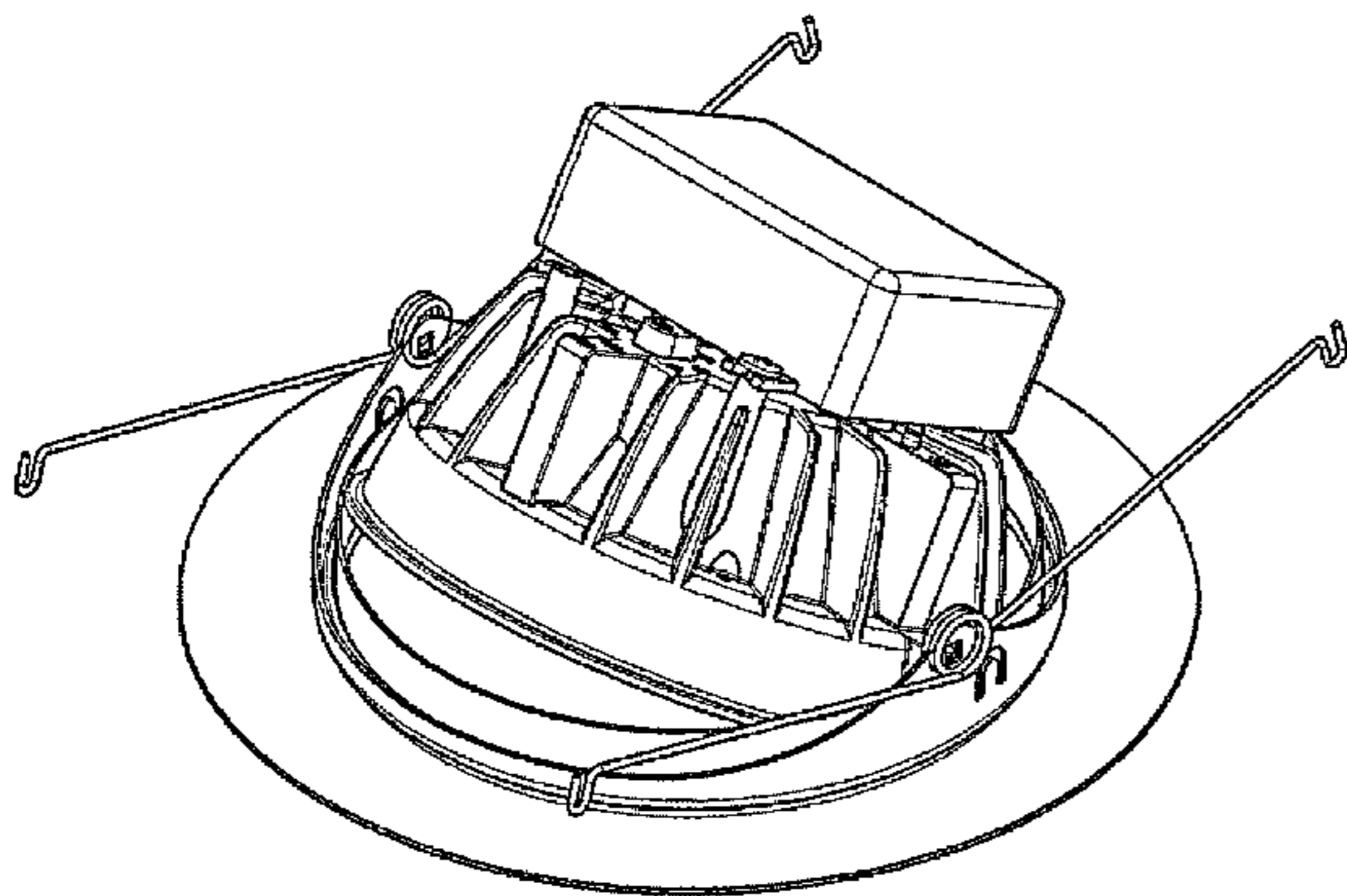
FIG. 15 is a rear elevational view thereof;

FIG. 16 is a top plan view thereof;

FIG. 17 is a bottom plan view thereof; and,

FIG. 18 is an exploded view thereof.

1 Claim, 18 Drawing Sheets



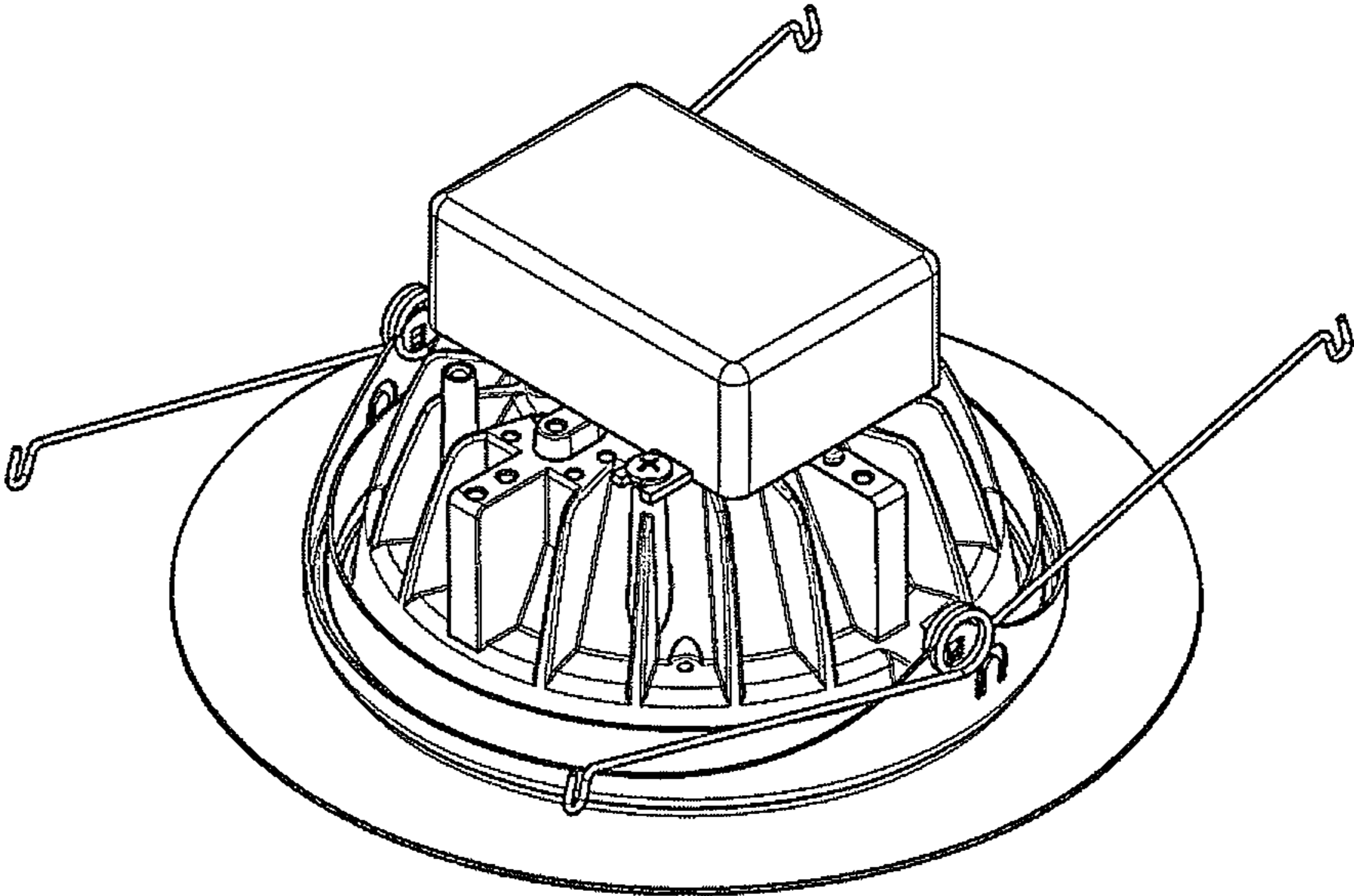


FIG. 1

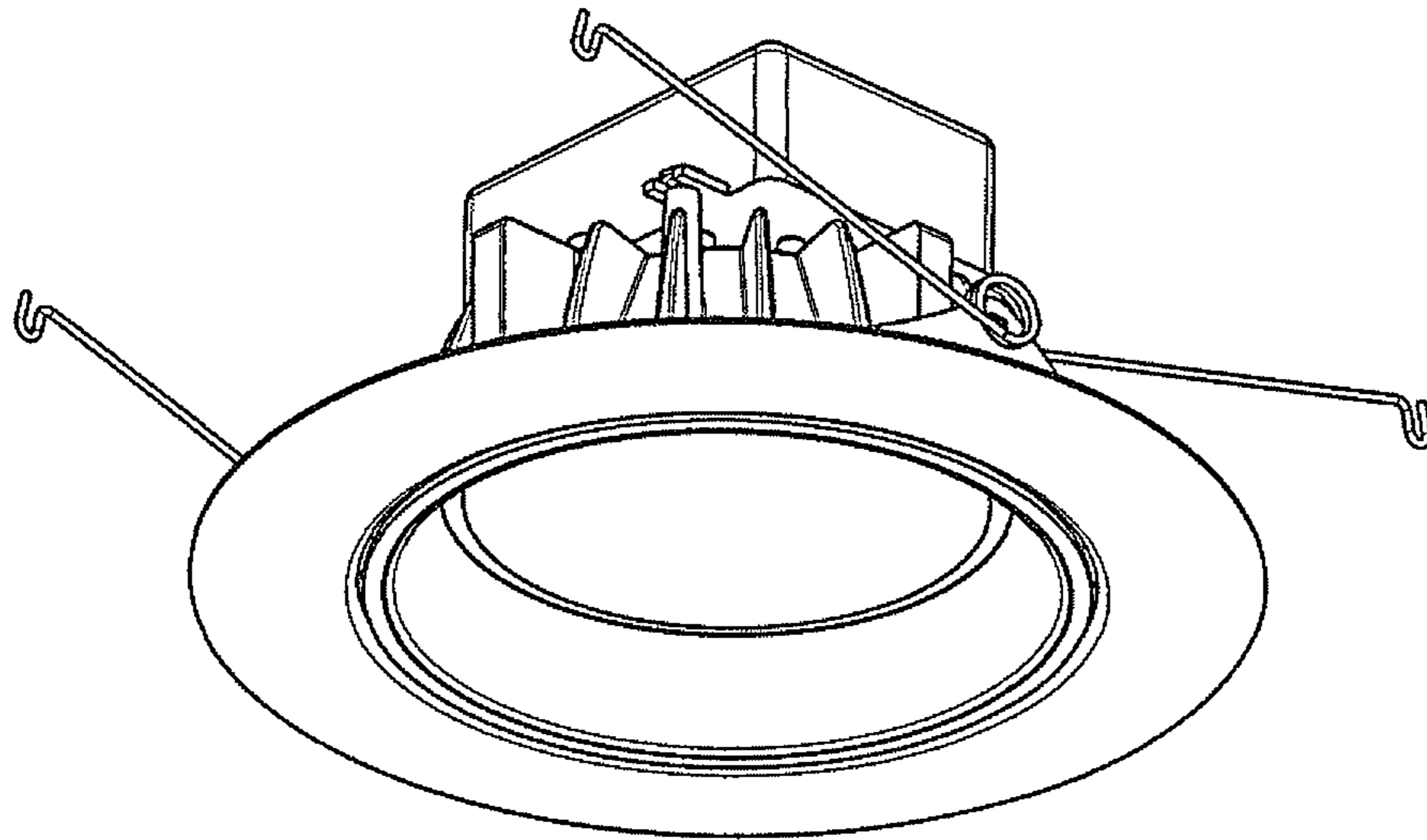


FIG. 2

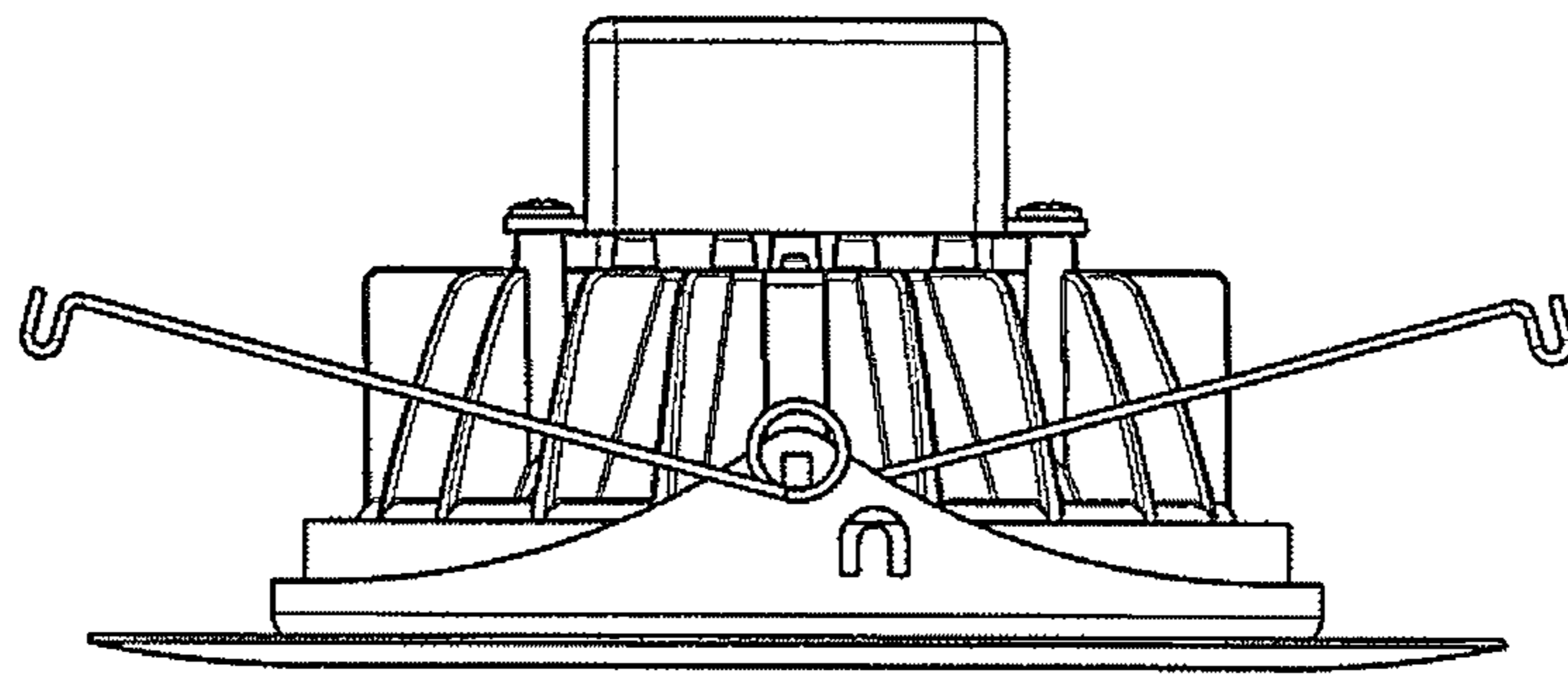


FIG. 3

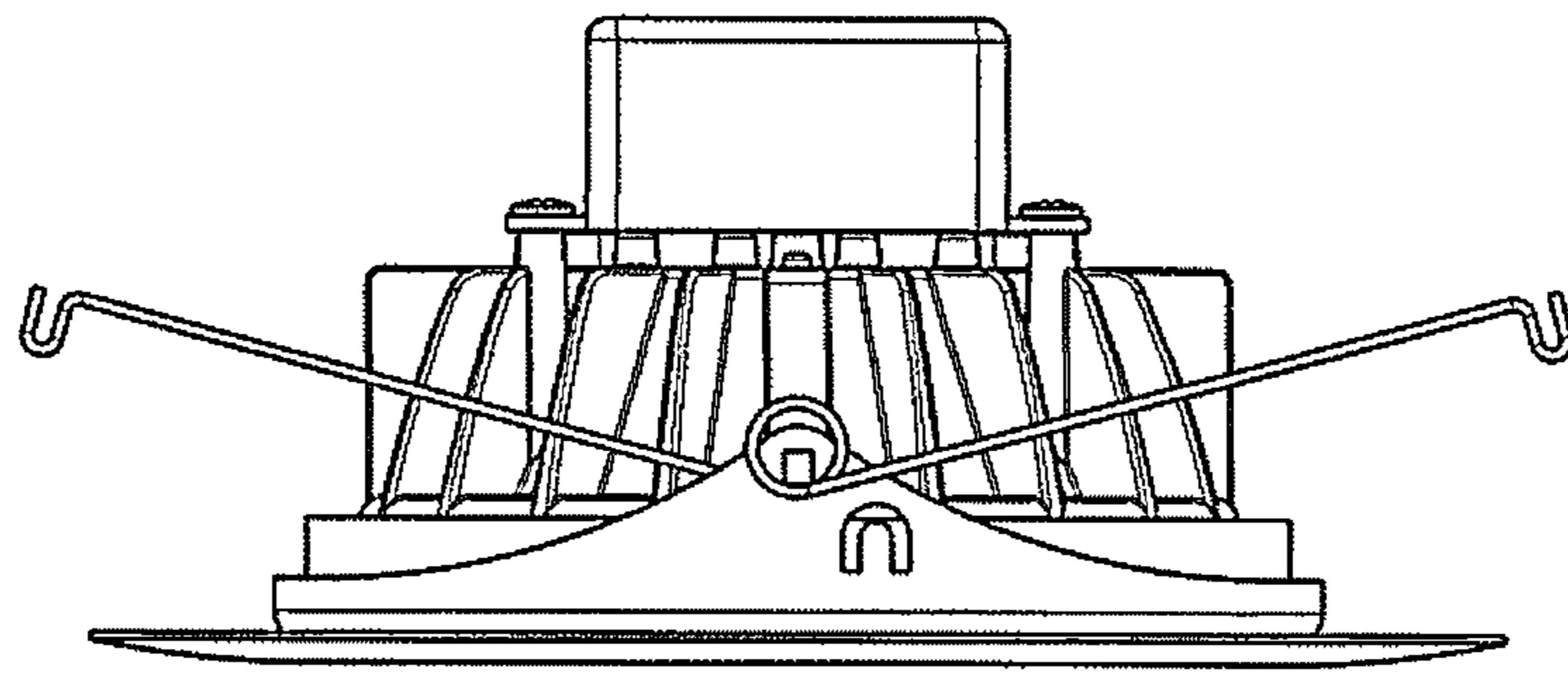


FIG. 4

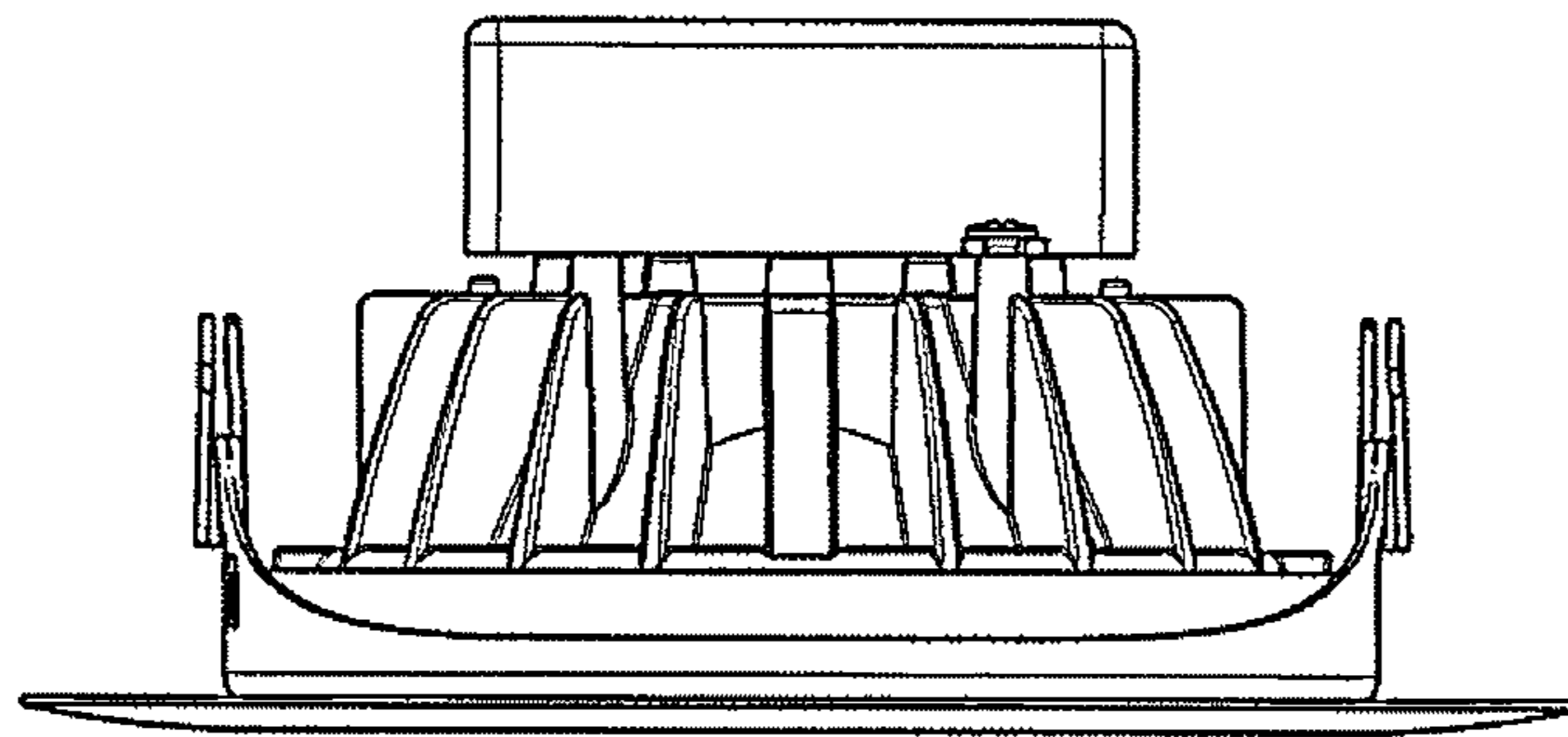


FIG. 5

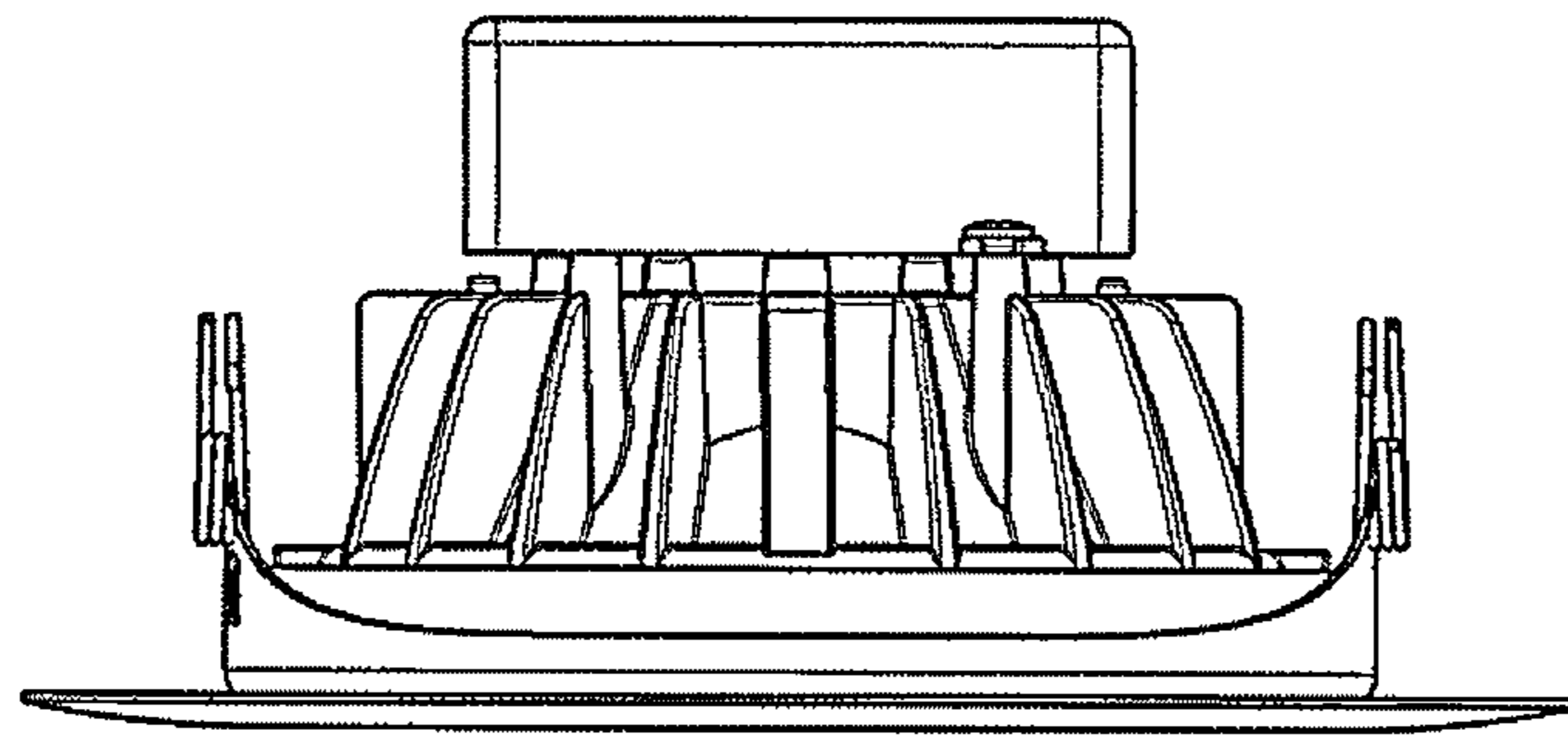


FIG. 6

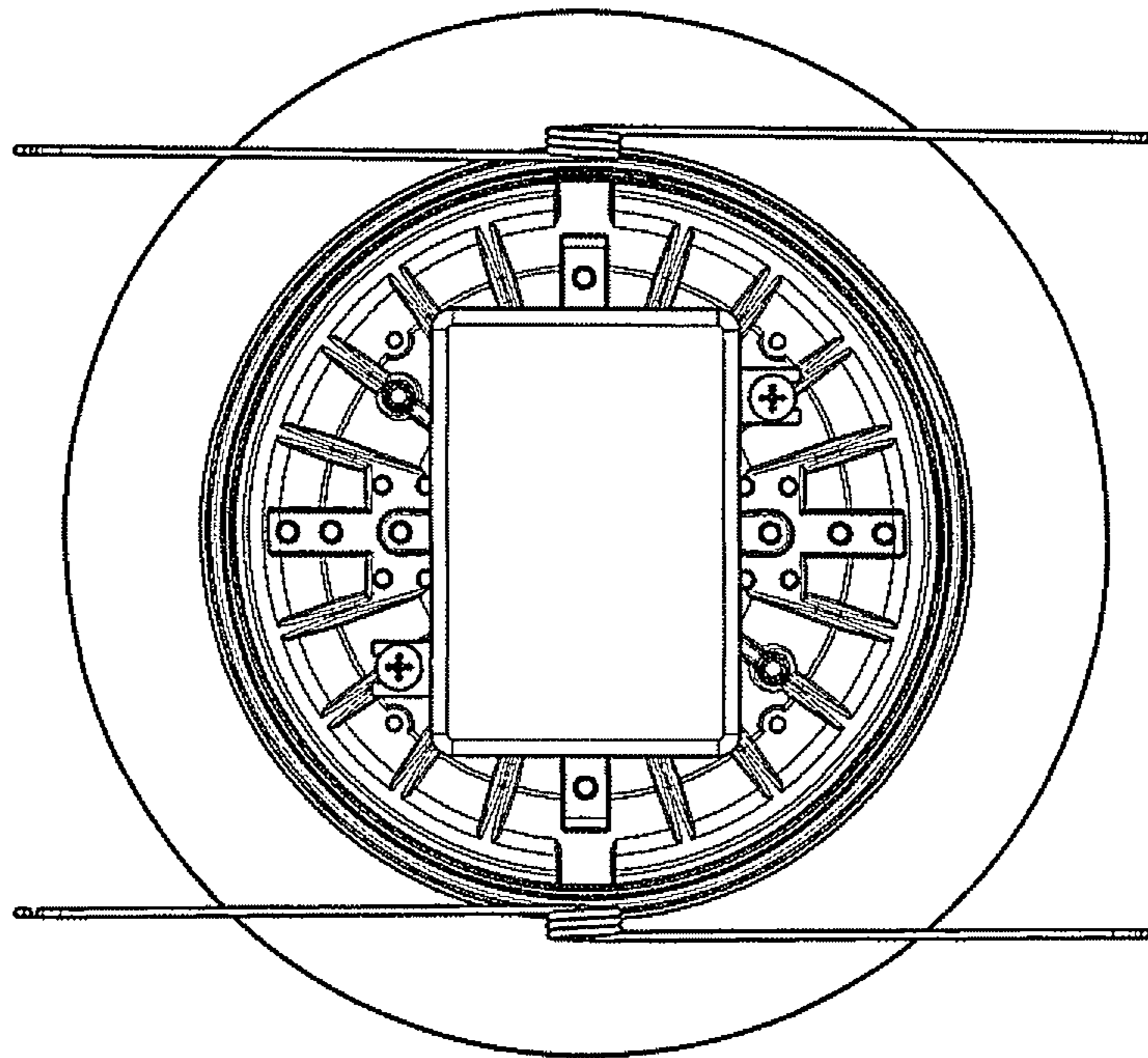


FIG. 7

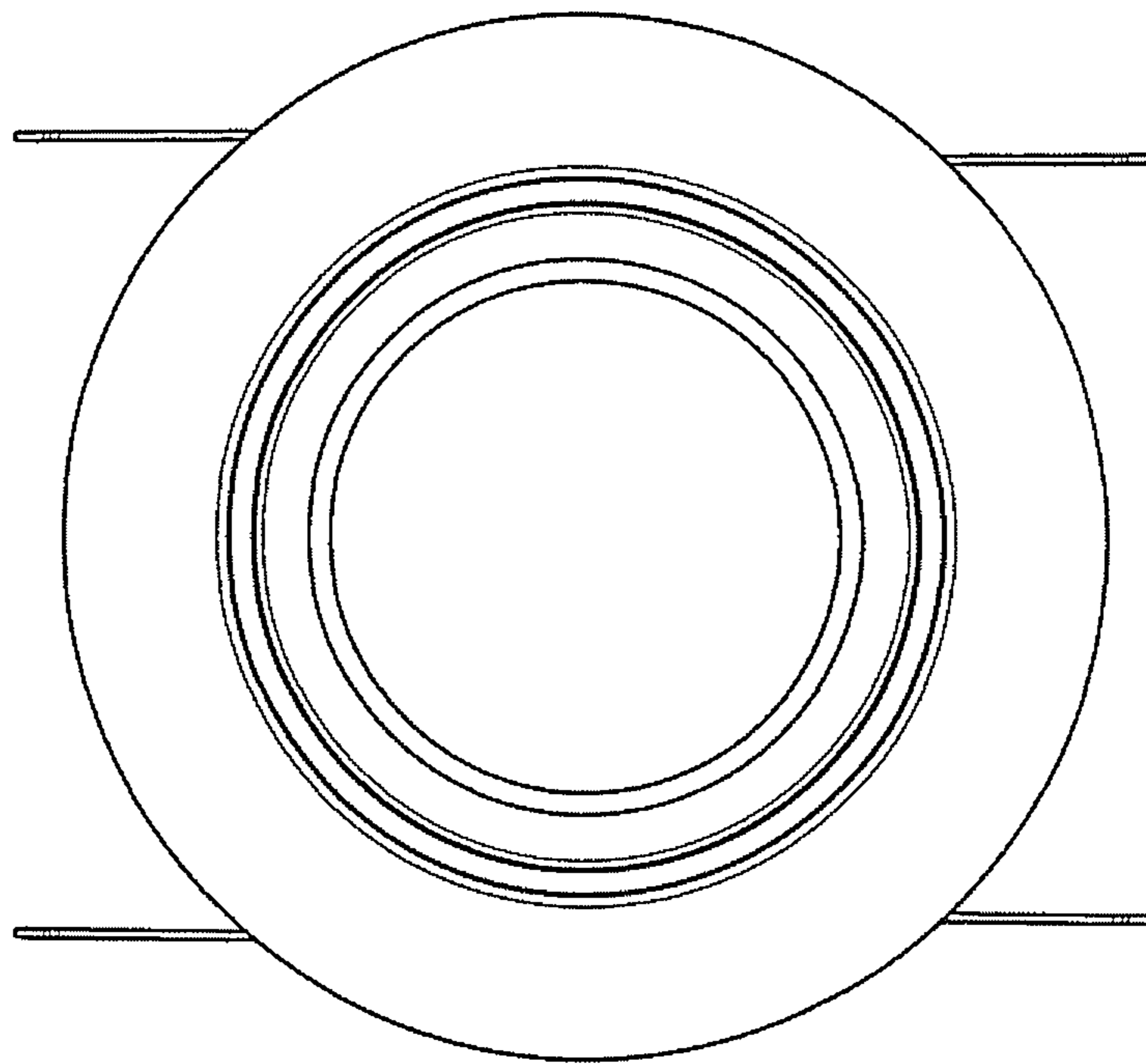


FIG. 8

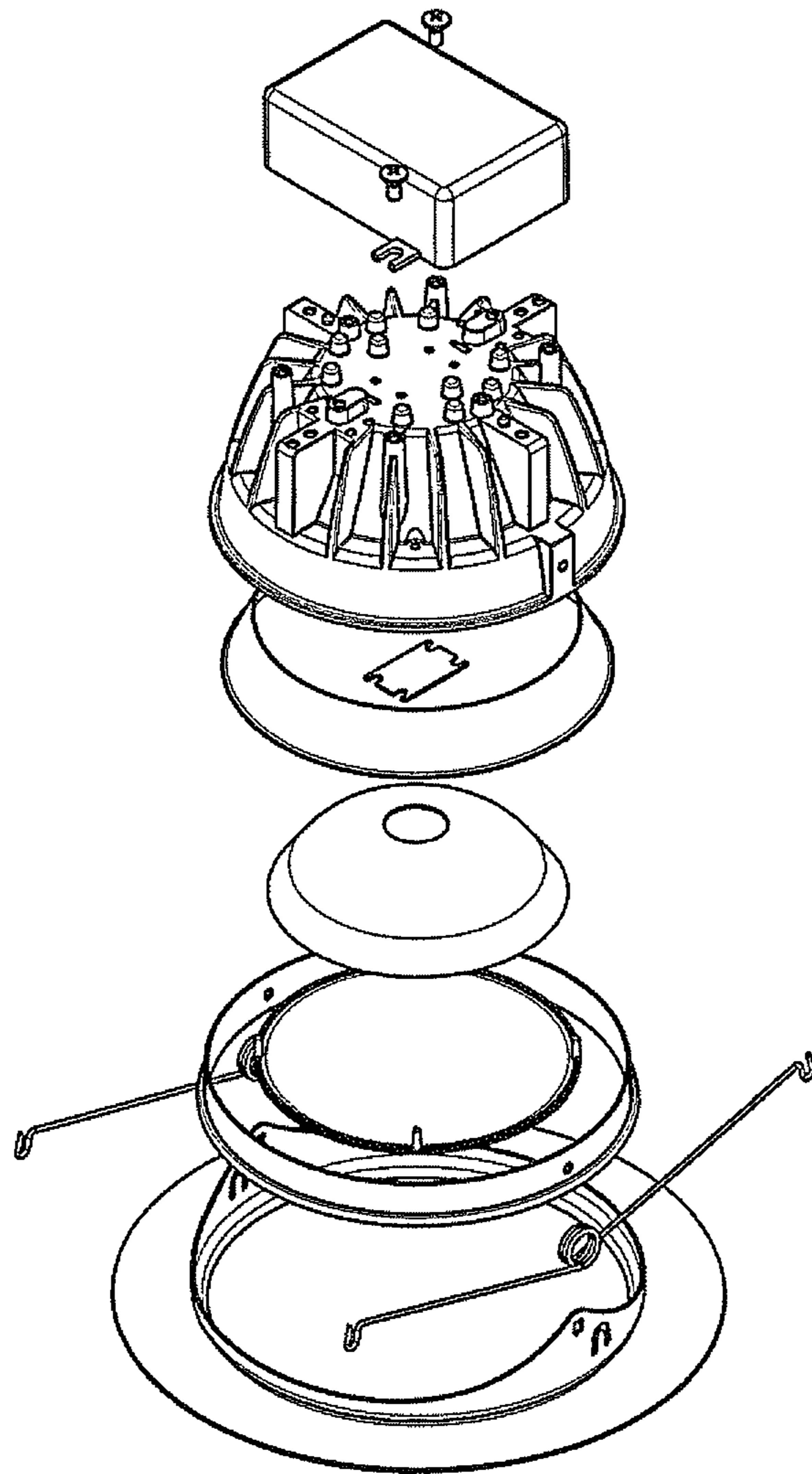


FIG. 9

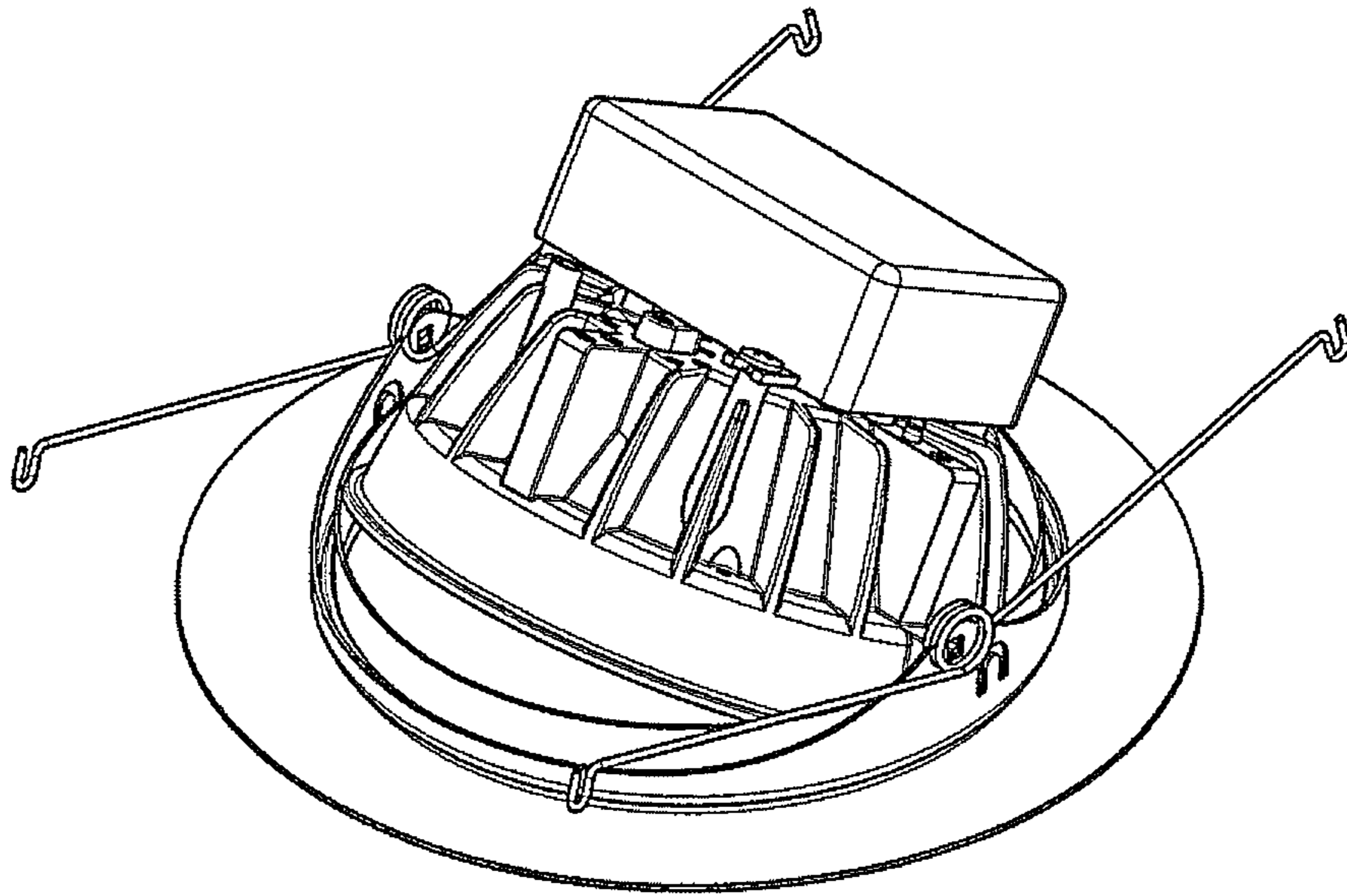


FIG. 10

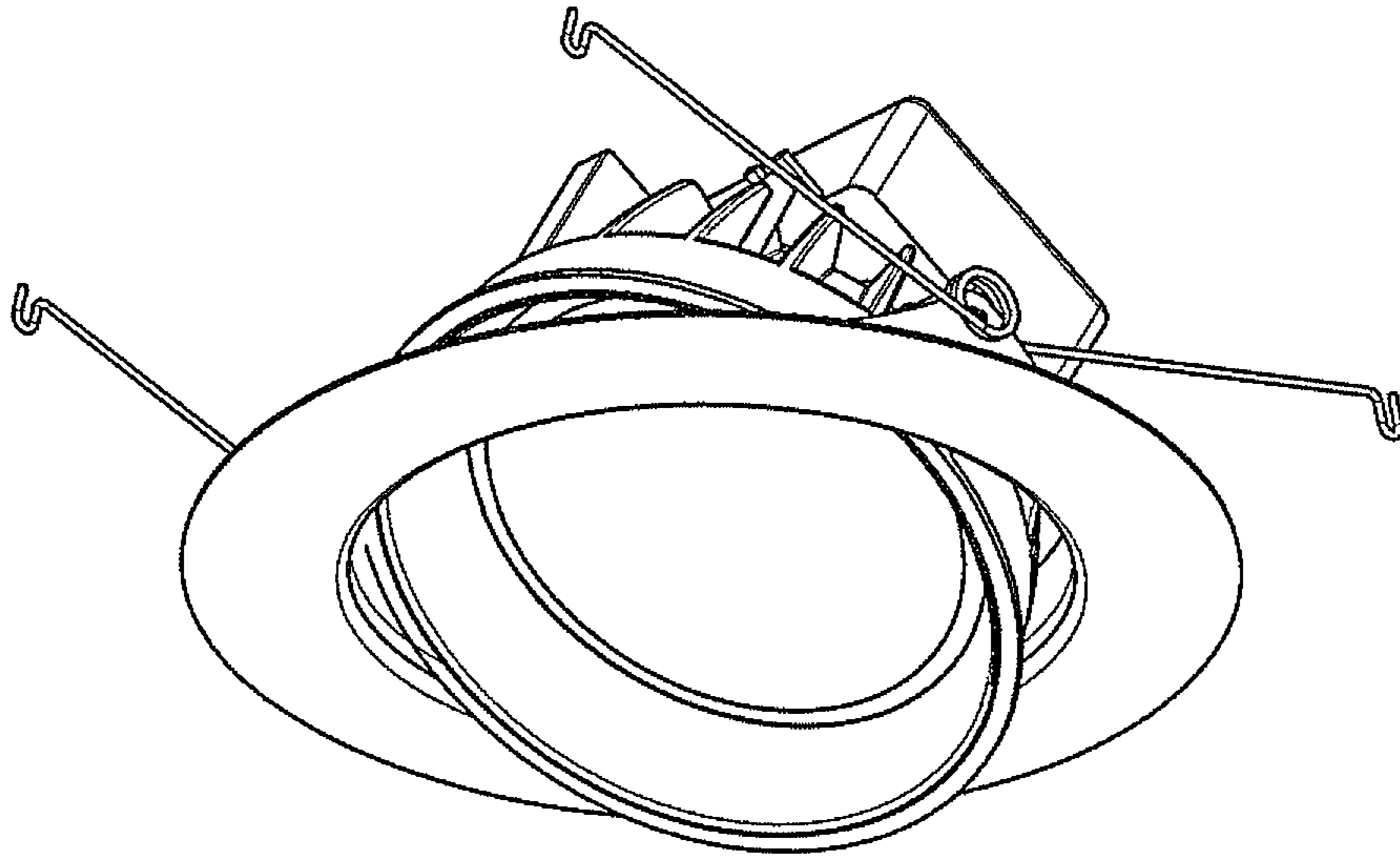


FIG. 11

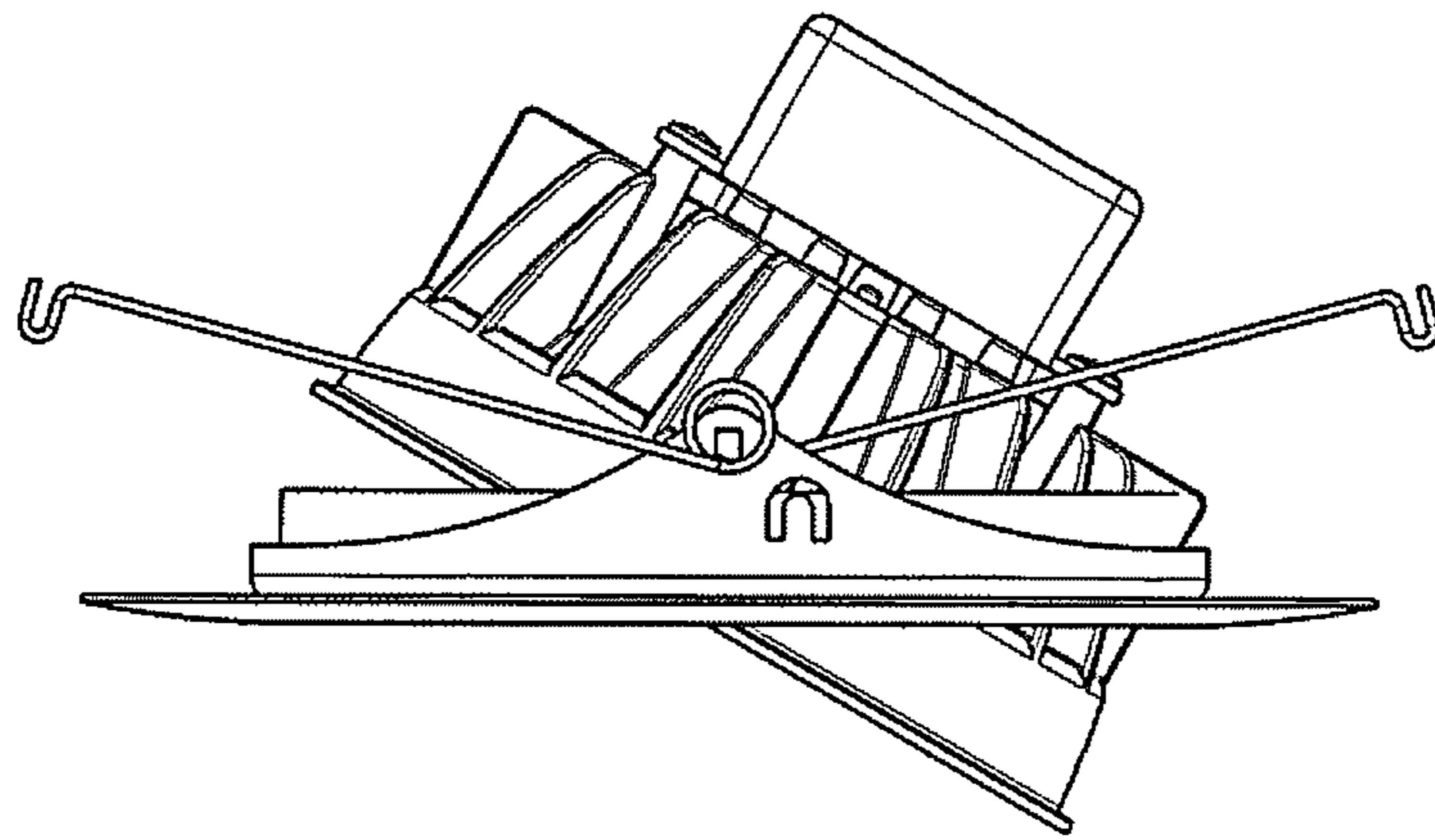


FIG. 12

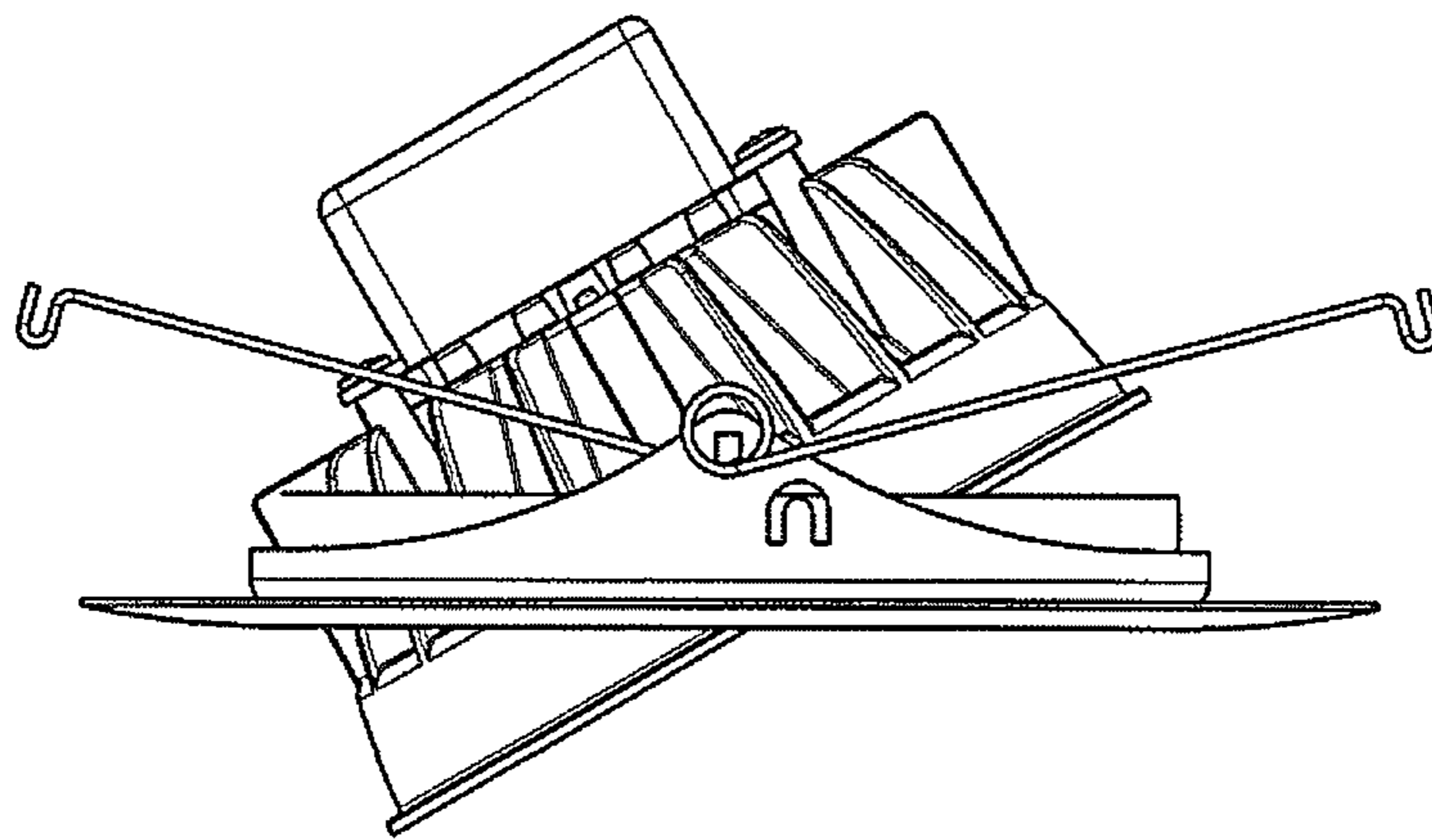


FIG. 13

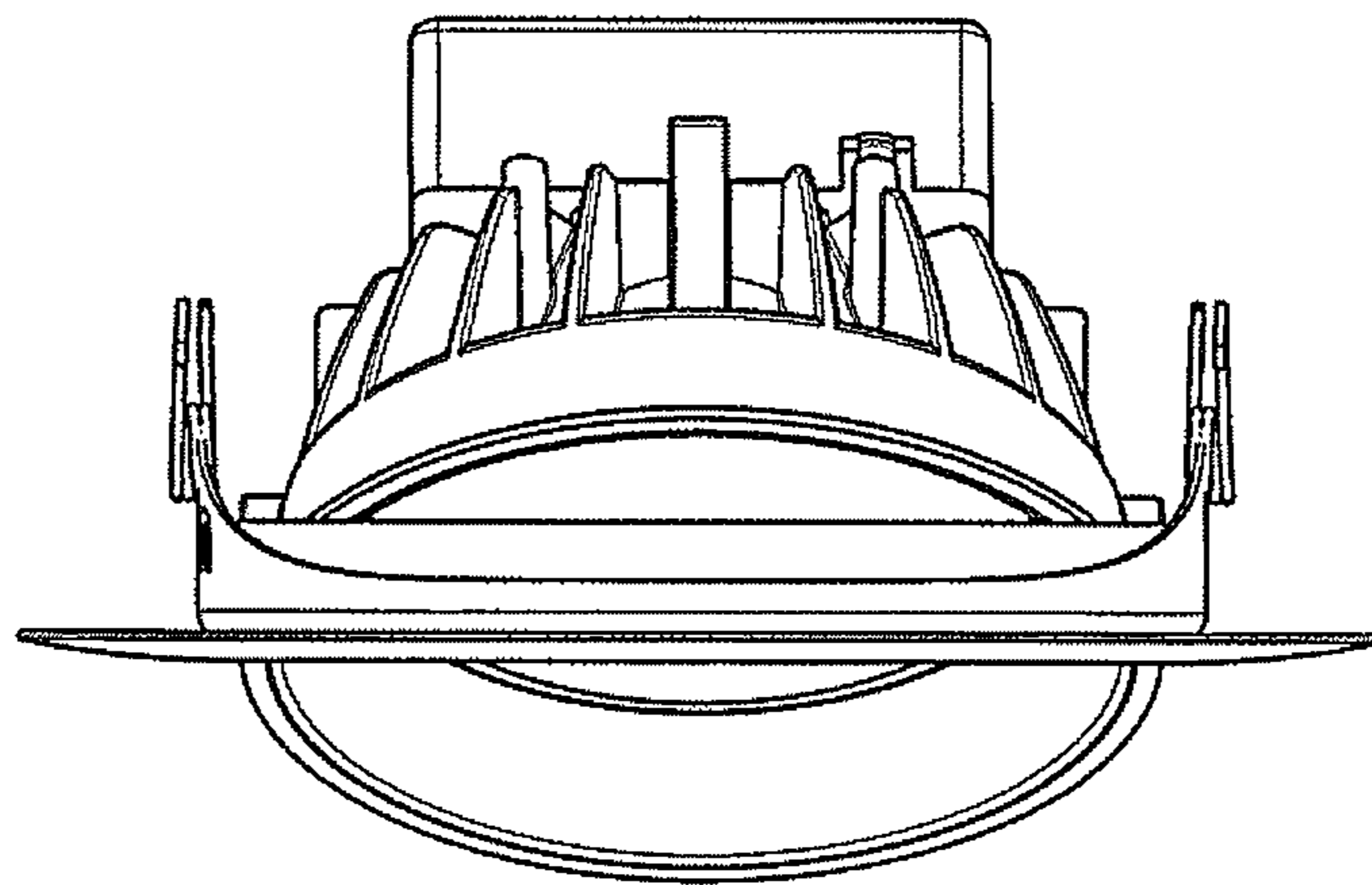


FIG. 14

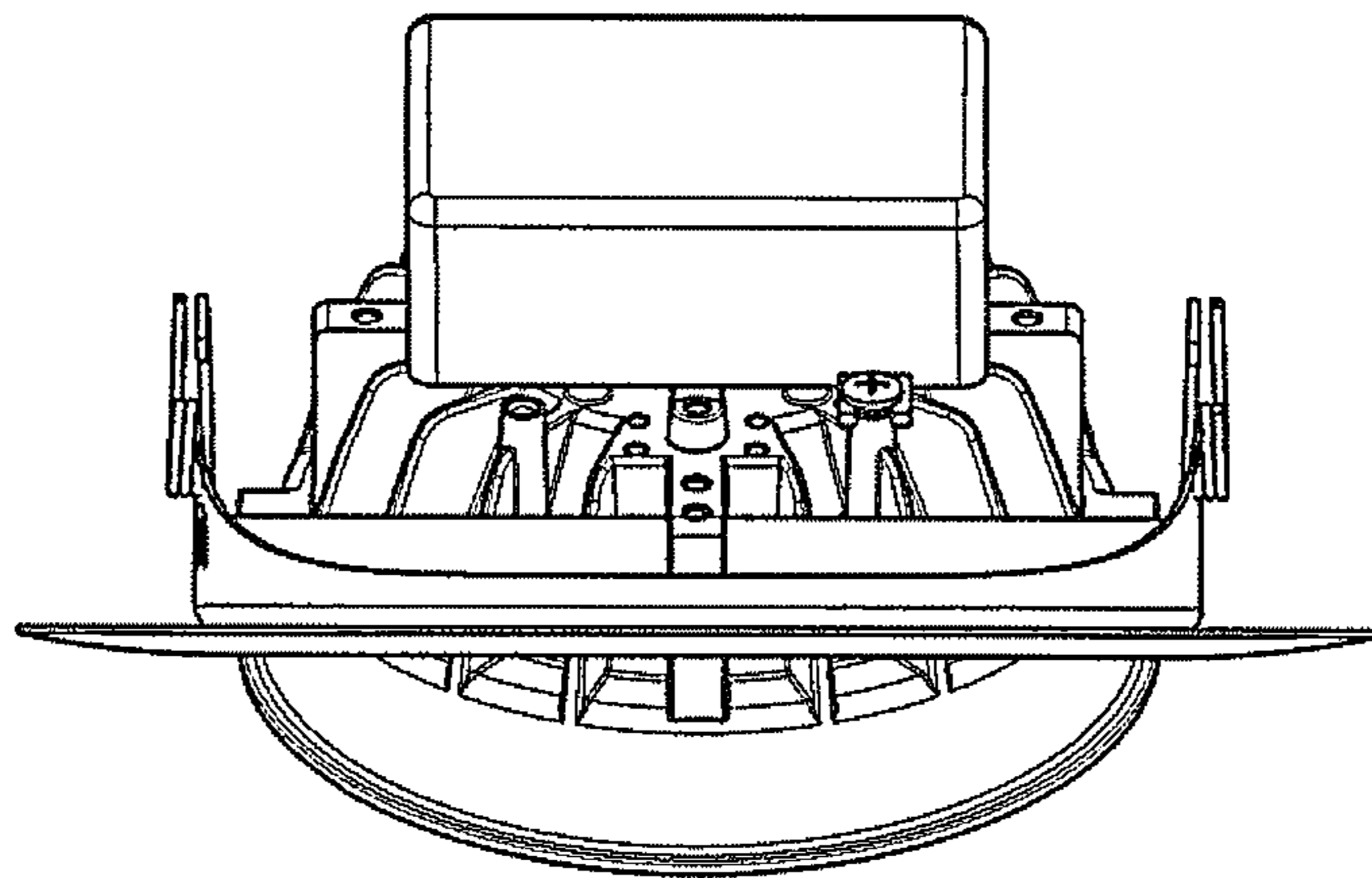


FIG. 15

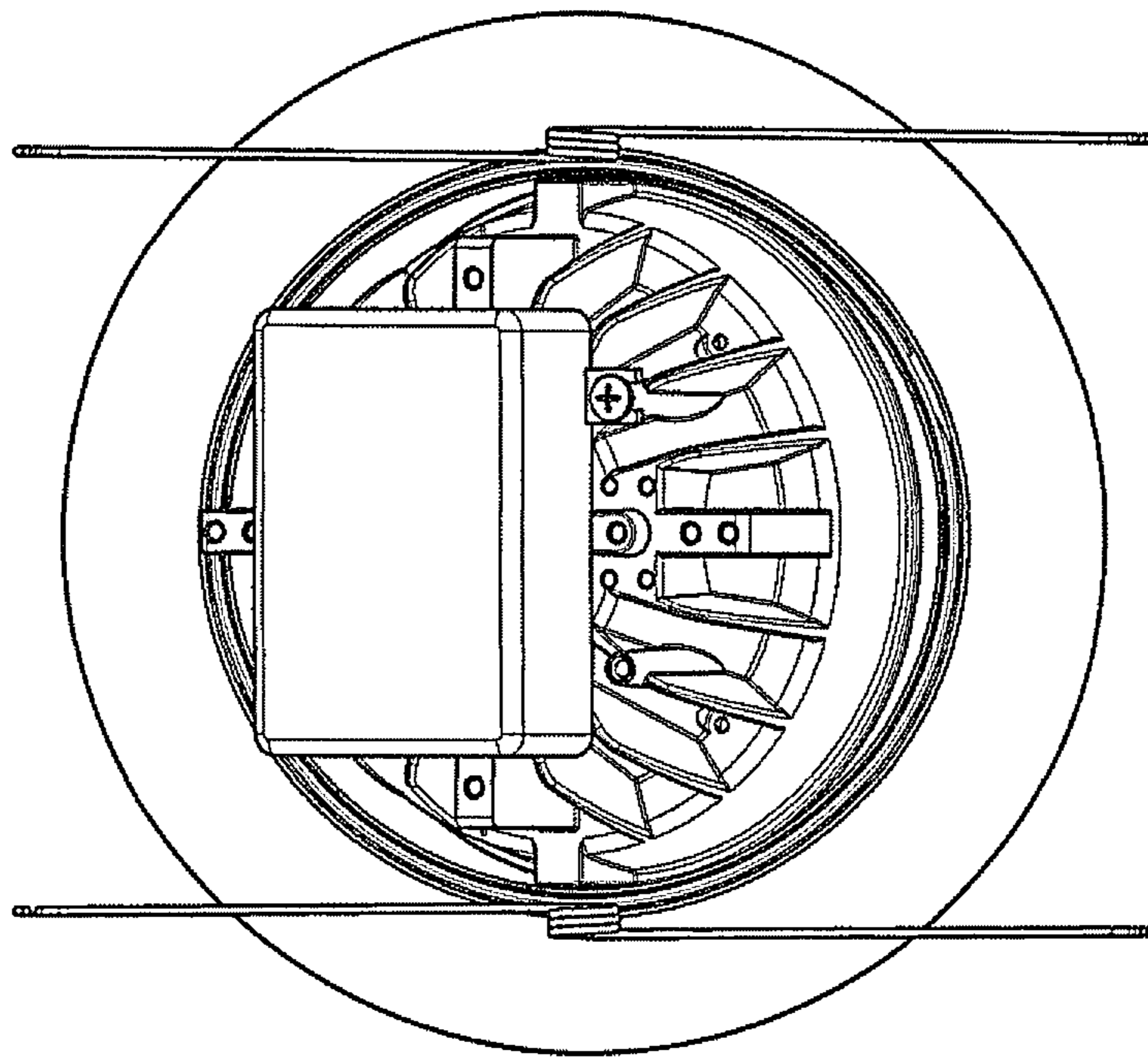


FIG. 16

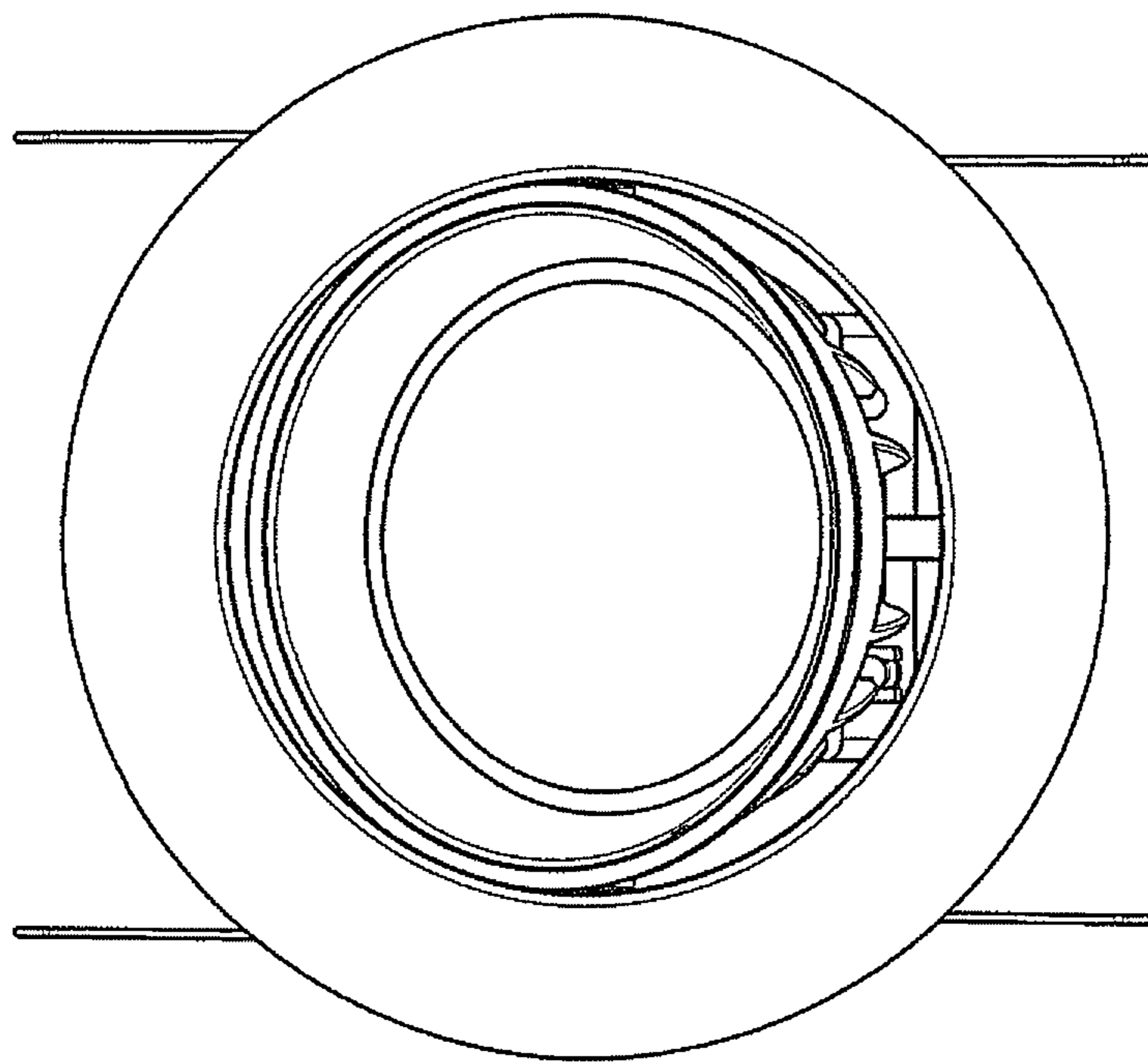


FIG.17

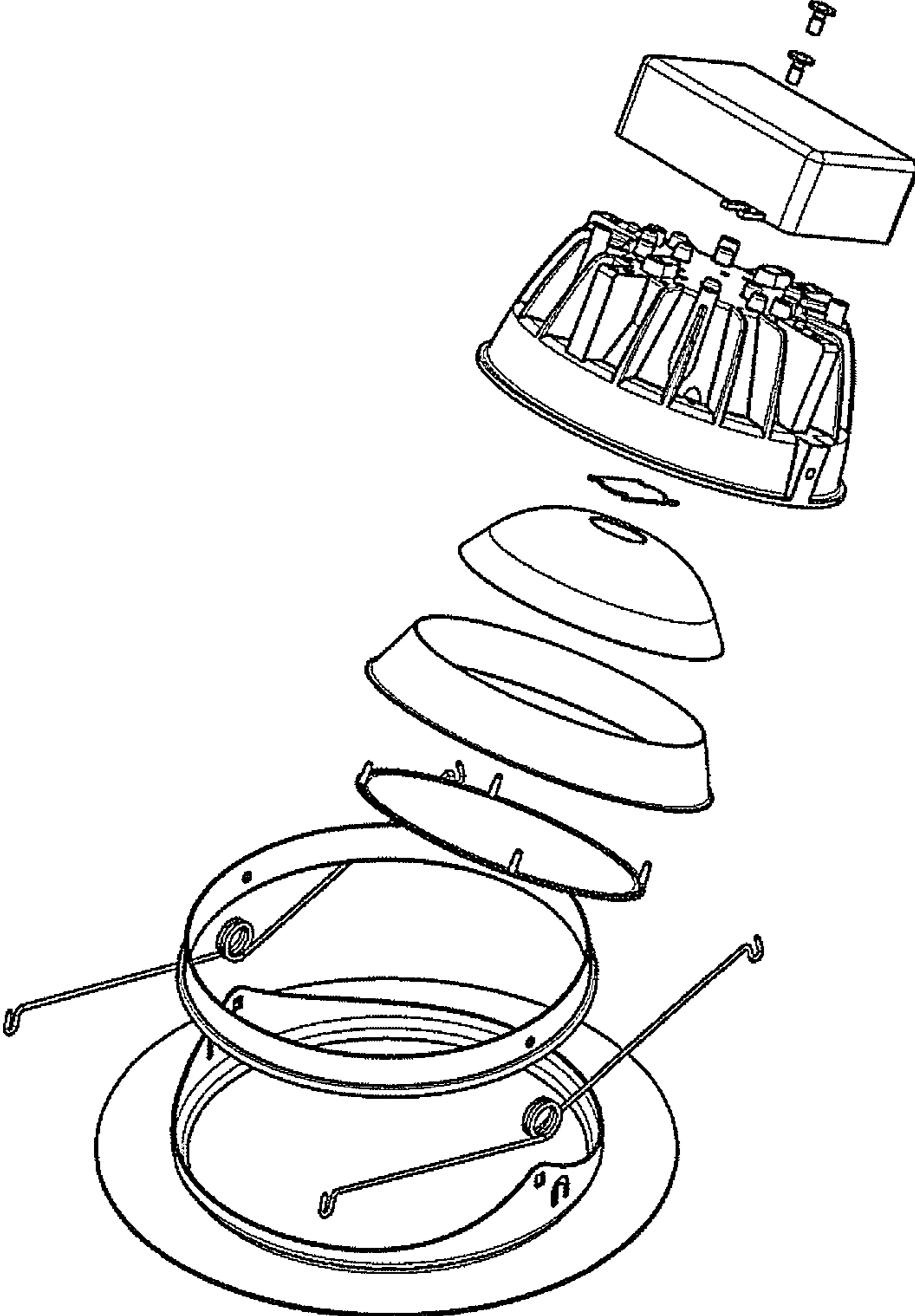


FIG.18