



US00D708378S

(12) **United States Design Patent**
Recker et al.

(10) **Patent No.:** **US D708,378 S**
(45) **Date of Patent:** **** Jul. 1, 2014**

(54) **SPOTLIGHT**

(71) Applicants: **Michael V Recker**, Gaithersburg, MD
(US); **David B Levine**, Pepper Pike, OH
(US)

(72) Inventors: **Michael V Recker**, Gaithersburg, MD
(US); **David B Levine**, Pepper Pike, OH
(US)

(73) Assignee: **Wireless Environment, LLC**, Solon,
OH (US)

(**) Term: **14 Years**

(21) Appl. No.: **29/467,429**

(22) Filed: **Sep. 19, 2013**

(51) **LOC (10) Cl.** **26-05**

(52) **U.S. Cl.**
USPC **D26/61**

(58) **Field of Classification Search**
CPC F21V 21/30; F21V 29/004; F21V 14/02;
F21Y 2101/02; F21S 8/02
USPC D26/24, 26, 28, 29, 50, 51, 55, 60, 61,
D26/63, 64, 66-72, 74-79, 81-85, 88-93,
D26/104-110, 113, 118-124, 128, 131,
D26/138-142; D14/204, 210, 214-217,
D14/221; 362/145, 147, 148, 190, 216,
362/217.01, 217.02, 217.1-217.14, 220,
362/269, 270, 277, 278, 285-289, 294, 319,
362/362, 364, 365, 368-373, 473, 640, 641,
362/800

See application file for complete search history.

(56) **References Cited**

U.S. PATENT DOCUMENTS

D98,047 S * 1/1936 Beck D26/29
D111,886 S * 10/1938 Zagel D26/29

D112,957 S * 1/1939 Ludwig D26/24
D124,540 S * 1/1941 Nebenzahl et al. D26/104
D128,967 S * 8/1941 Peterson D26/29
D407,518 S * 3/1999 Yeh D26/63
5,876,110 A * 3/1999 Uke 362/184
D415,297 S * 10/1999 Chung D26/28
D431,307 S * 9/2000 Zelina et al. D26/24
D440,330 S * 4/2001 Scott et al. D26/28
D465,046 S * 10/2002 Layne et al. D26/63
D479,623 S * 9/2003 Fu D26/118
D581,584 S * 11/2008 Boyer D26/138
D633,248 S * 2/2011 Alexander et al. D26/118
D635,701 S * 4/2011 Chang et al. D26/28
D667,152 S * 9/2012 Hamasaki D26/28
D679,038 S * 3/2013 Hamasaki D26/28
D681,243 S * 4/2013 Tsai D26/28
D690,040 S * 9/2013 Lai D26/28

* cited by examiner

Primary Examiner — Garth Rademaker

Assistant Examiner — Llorellys Martinez-Rivera

(74) *Attorney, Agent, or Firm* — Finnegan, Henderson,
Farabow, Garrett & Dunner, L.L.P.

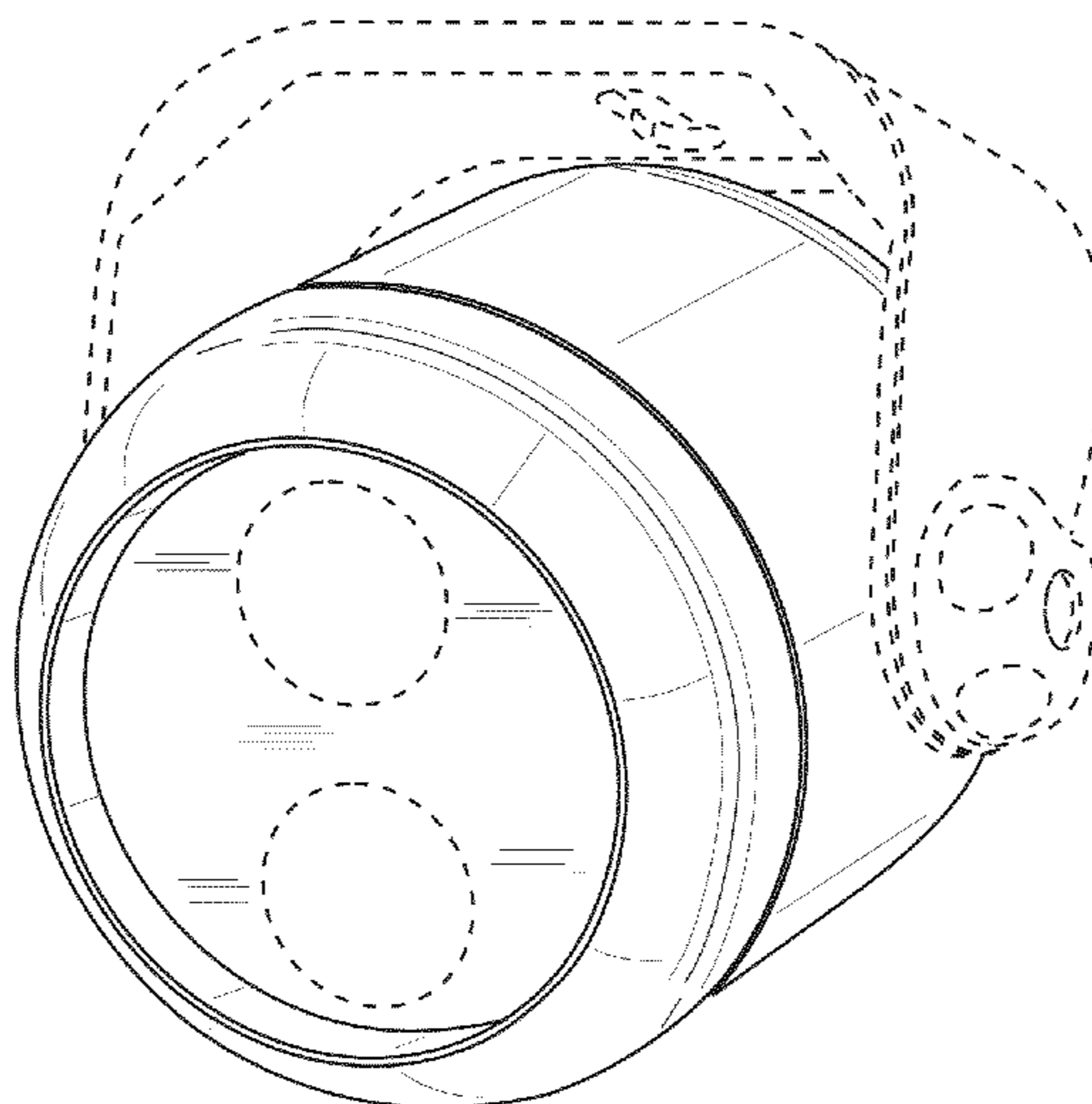
(57) **CLAIM**

The ornamental design for a spotlight, as shown and described.

DESCRIPTION

FIG. 1 is a front right perspective view of a spotlight showing our new design;
FIG. 2 is a front elevation view thereof;
FIG. 3 is a rear view thereof;
FIG. 4 is a top plan view thereof;
FIG. 5 is a bottom view thereof;
FIG. 6 is a left side view thereof; and,
FIG. 7 is a right side view thereof.
The elements depicted in broken lines are environment and form no part of the claimed design.

1 Claim, 7 Drawing Sheets



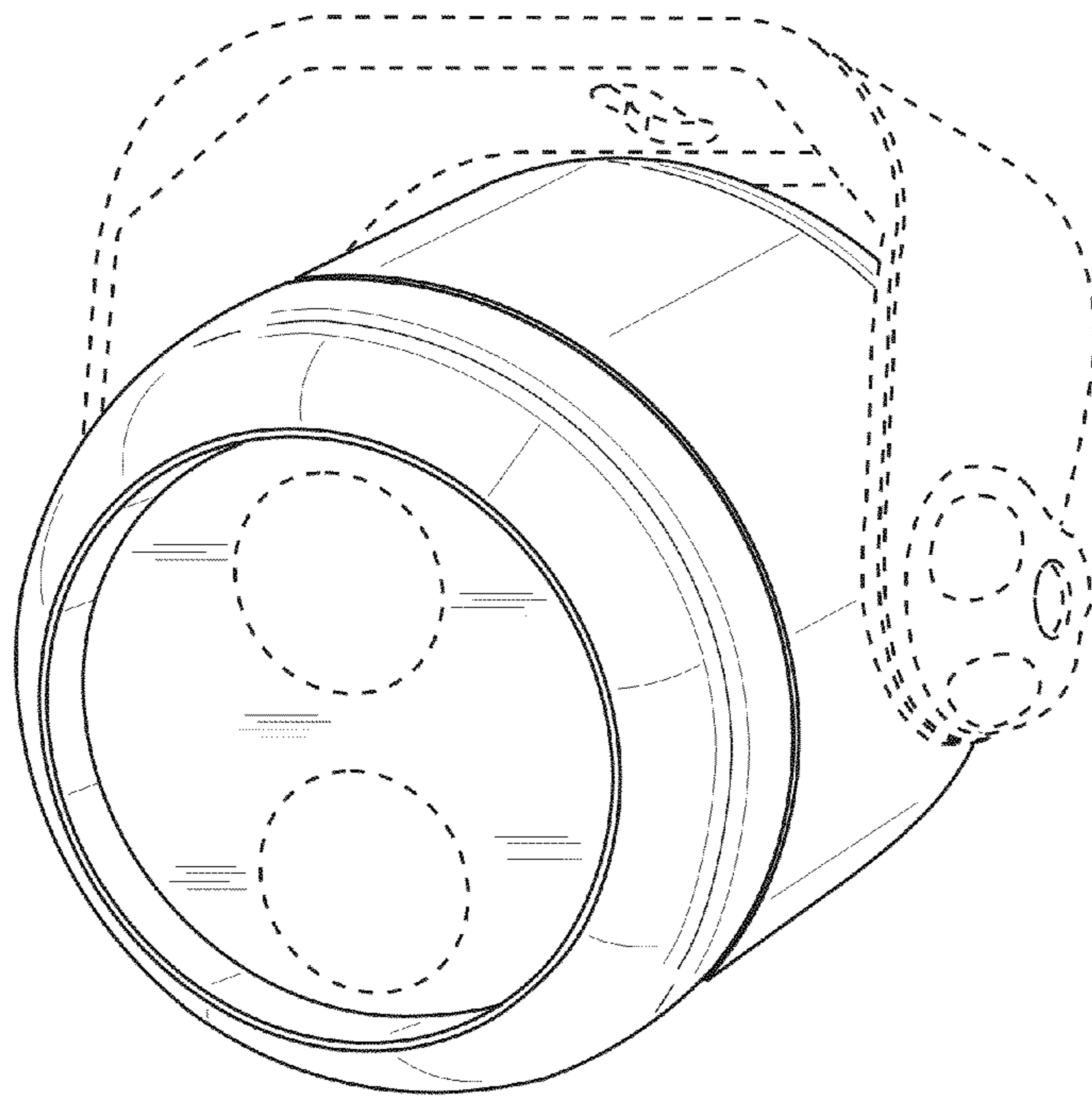


FIG. 1

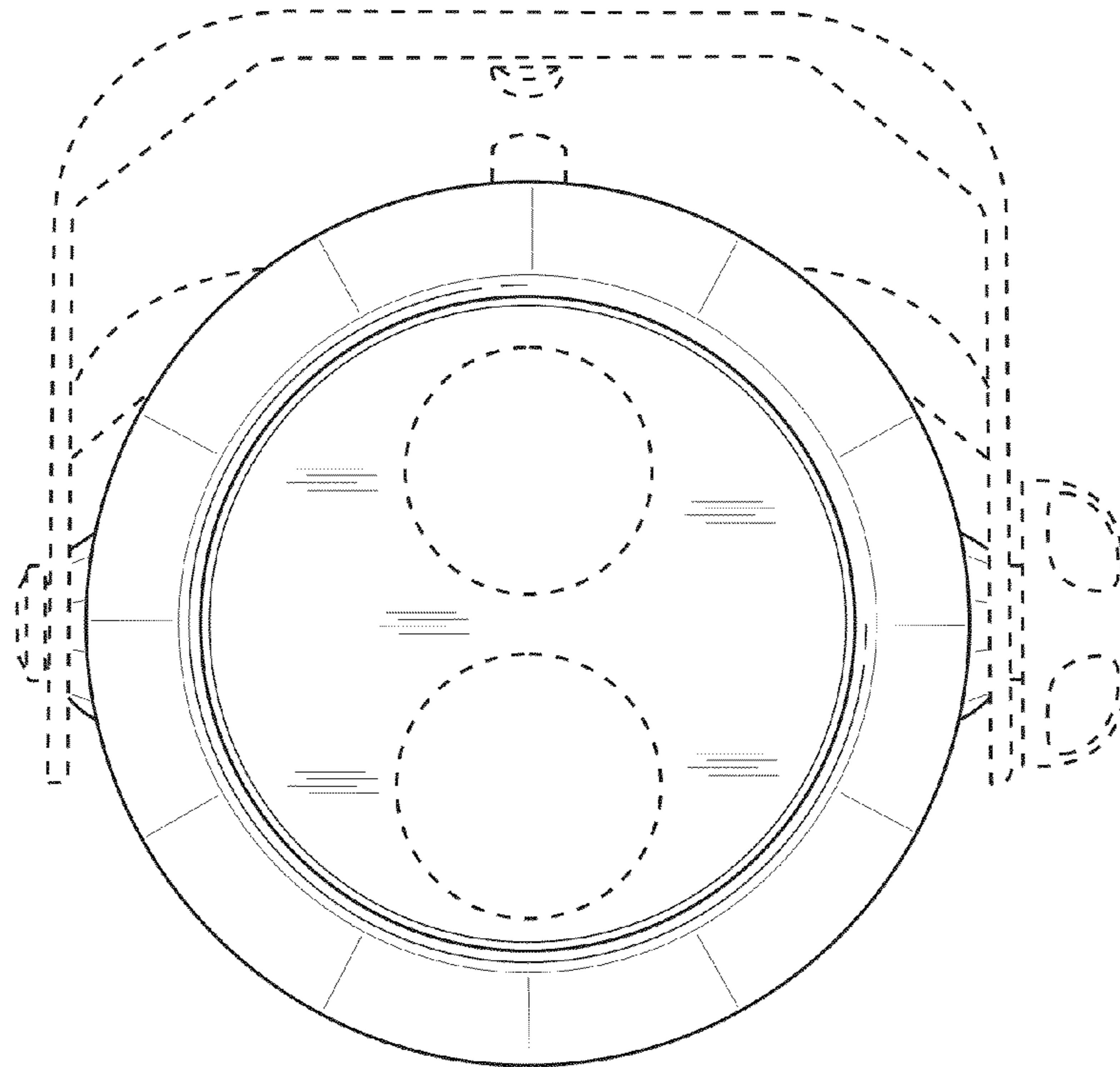


FIG. 2

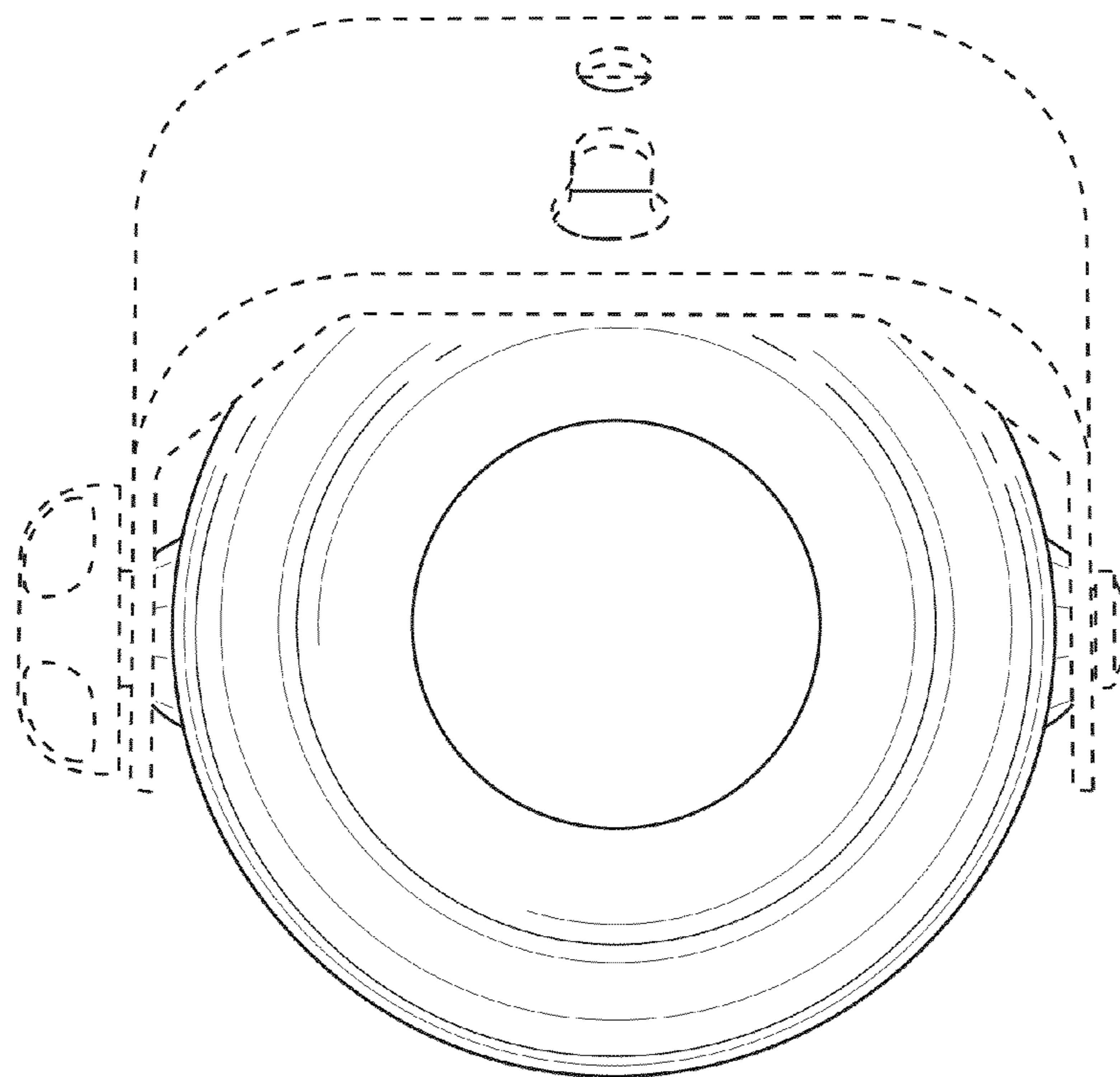


FIG. 3

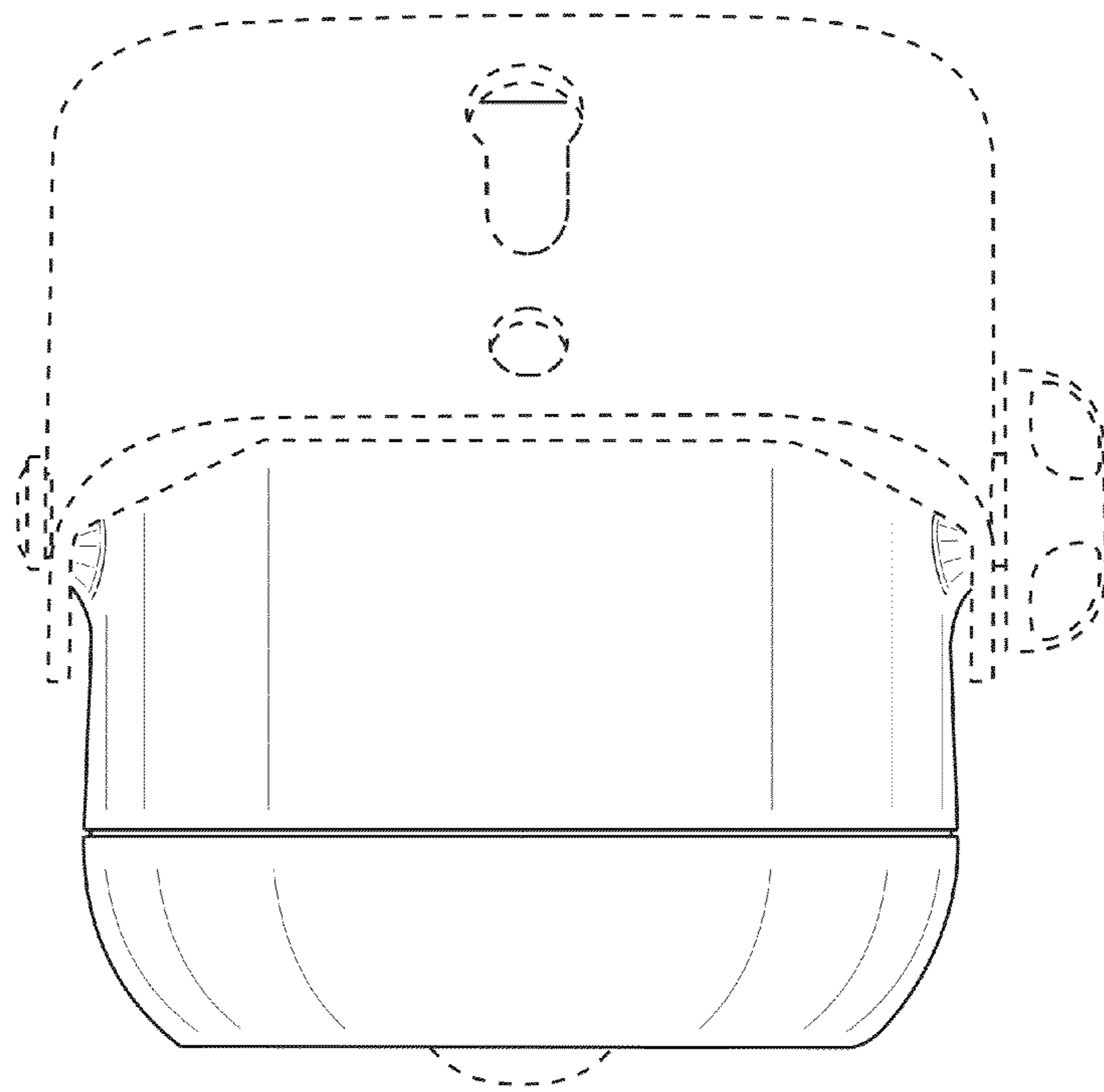


FIG. 4

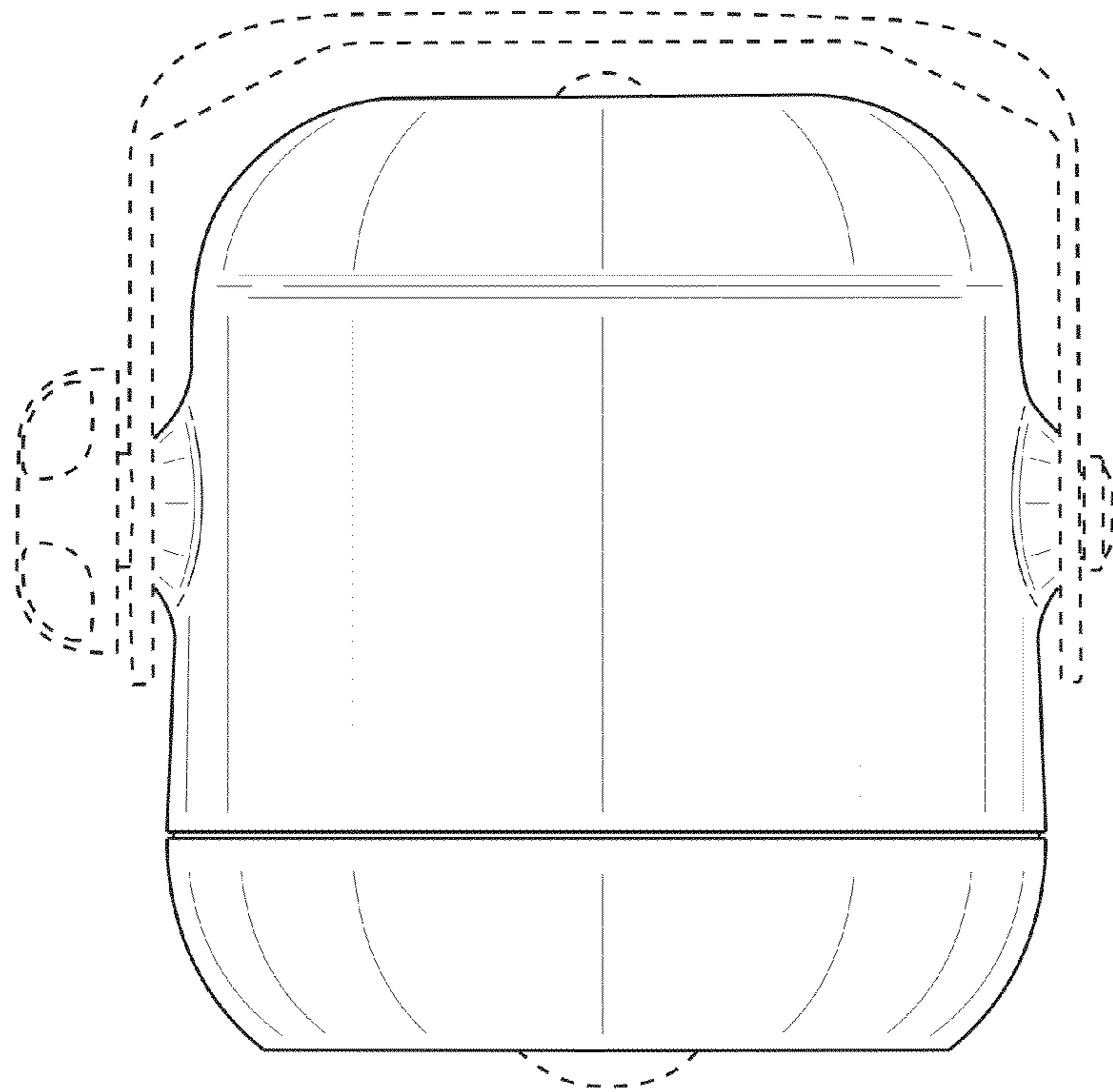


FIG. 5

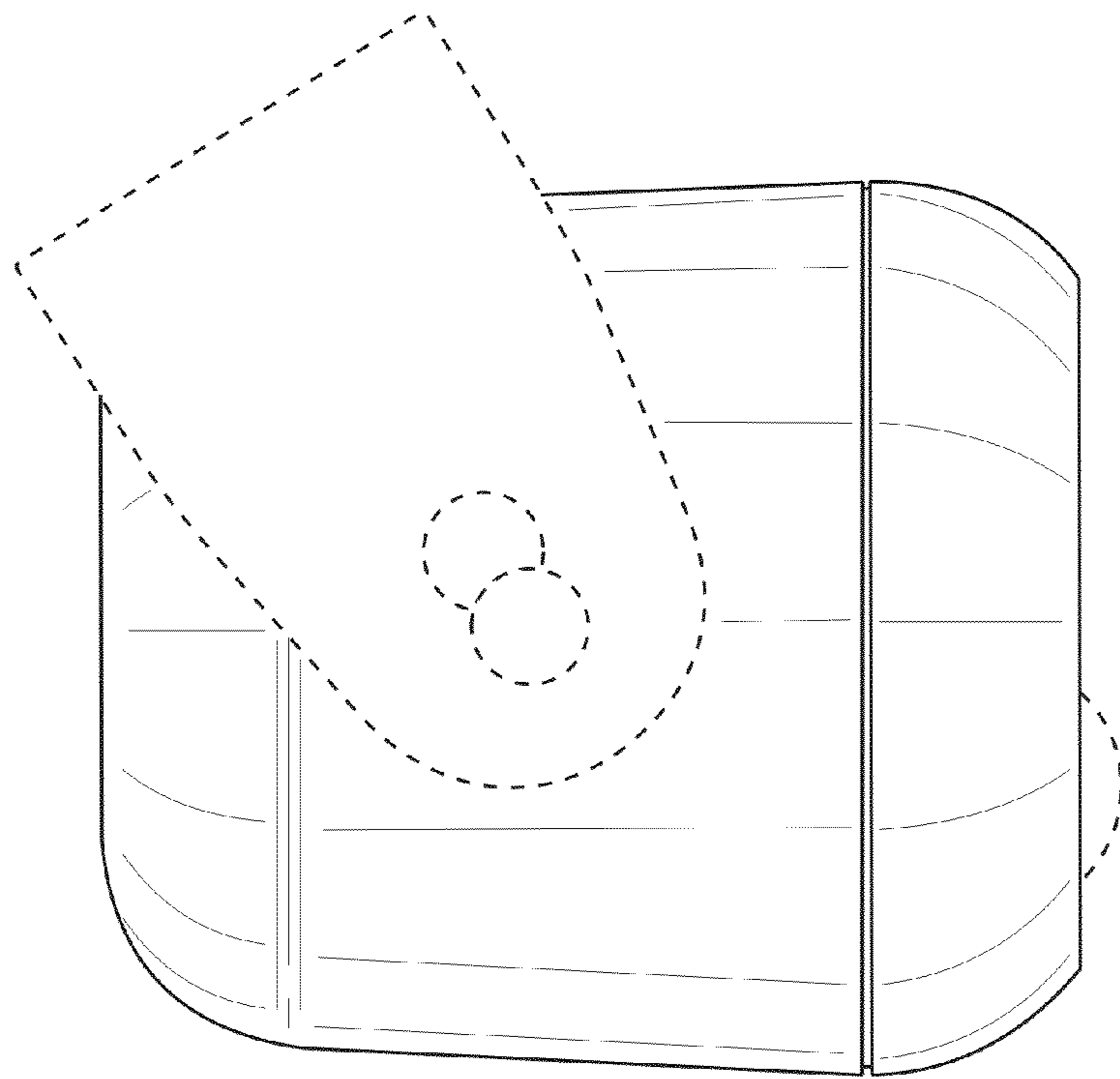


FIG. 6

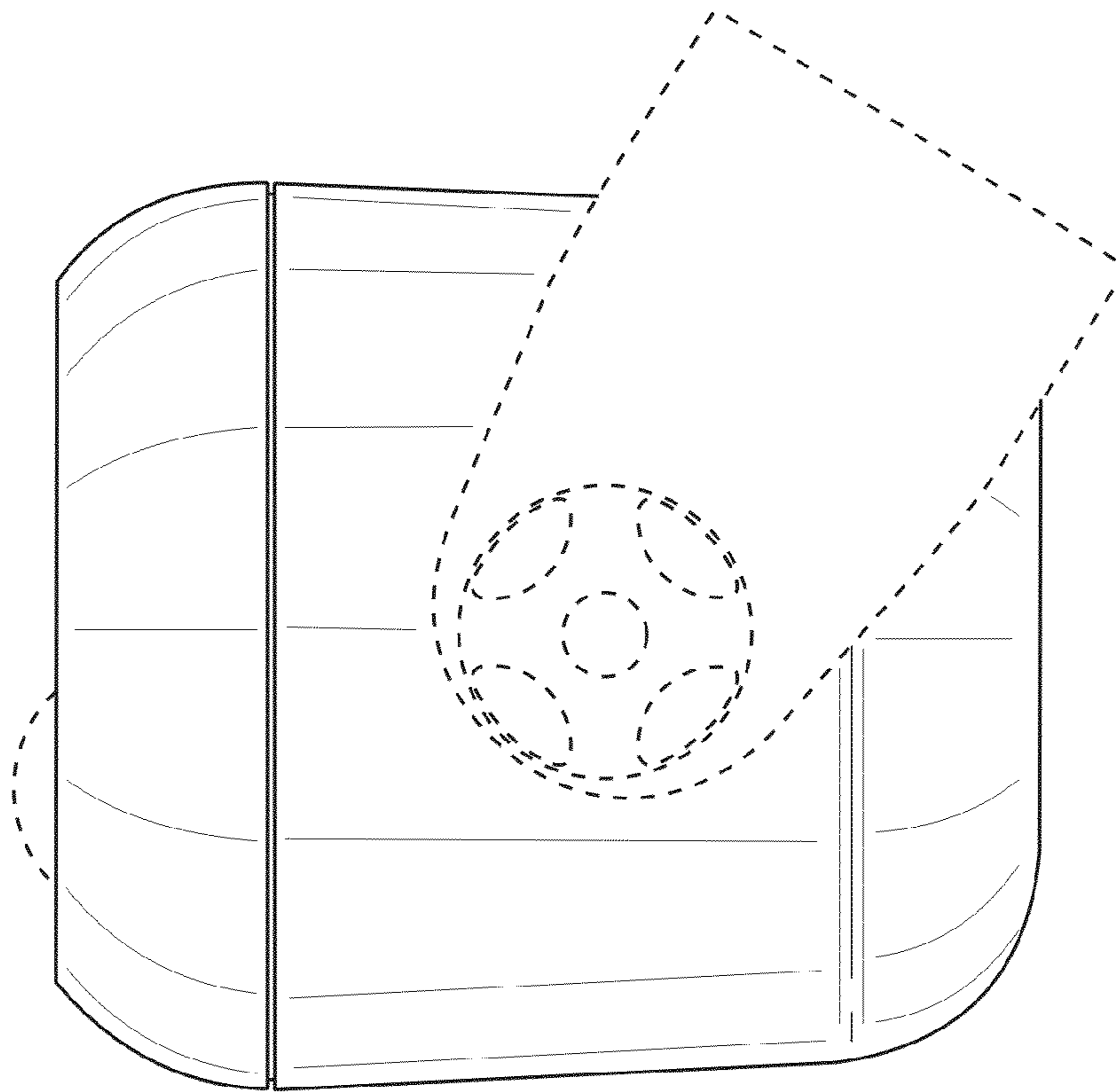


FIG. 7