



US00D708376S

(12) **United States Design Patent**
Crowe et al.

(10) **Patent No.:** **US D708,376 S**
(45) **Date of Patent:** **** Jul. 1, 2014**

- (54) **STICK LIGHT**
- (71) Applicant: **Milwaukee Electric Tool Corporation**,
Brookfield, WI (US)
- (72) Inventors: **Jason R. Crowe**, Milwaukee, WI (US);
Justin D. Dorman, Wauwatosa, WI
(US); **Timothy Janda**, Stevensville, MI
(US); **Paul Rossetto**, Milwaukee, WI
(US)
- (73) Assignee: **Milwaukee Electric Tool Corporation**,
Brookfield, WI (US)
- (**) Term: **14 Years**

5,043,851 A	8/1991	Kaplan	
D335,756 S *	5/1993	Gaynor	D26/42
5,339,229 A	8/1994	Snyder	
D389,931 S *	1/1998	Kovacik et al.	D26/37
D409,776 S *	5/1999	Ghode et al.	D26/42
6,070,295 A	6/2000	Hulsebus	
D438,656 S *	3/2001	Lupica	D26/37
D458,400 S *	6/2002	Kovacik et al.	D26/50
6,497,496 B2	12/2002	Wang	
6,536,912 B2	3/2003	Parker	
6,749,318 B1	6/2004	Palacios	
D501,687 S *	2/2005	Kovacik et al.	D26/42
D501,688 S *	2/2005	Kovacik et al.	D26/42
6,857,756 B2	2/2005	Reiff et al.	
6,976,771 B1 *	12/2005	Galvez	362/399
D515,721 S *	2/2006	Lin	D26/44
D519,659 S *	4/2006	Yuen	D26/42

(Continued)

- (21) Appl. No.: **29/436,739**
- (22) Filed: **Nov. 8, 2012**
- (30) **Foreign Application Priority Data**
- Sep. 28, 2012 (CN) 2012 3 0469551
- Sep. 28, 2012 (CN) 2012 3 0469693
- (51) **LOC (10) Cl.** **26-02**
- (52) **U.S. Cl.**
- USPC **D26/37**
- (58) **Field of Classification Search**
- USPC D26/37, 38, 40, 42, 46, 49, 50;
362/157, 158, 183, 184, 194-196,
362/200-208
- See application file for complete search history.

Primary Examiner — Ian Simmons
Assistant Examiner — Carissa C Fitts
 (74) *Attorney, Agent, or Firm* — Michael Best & Friedrich LLP

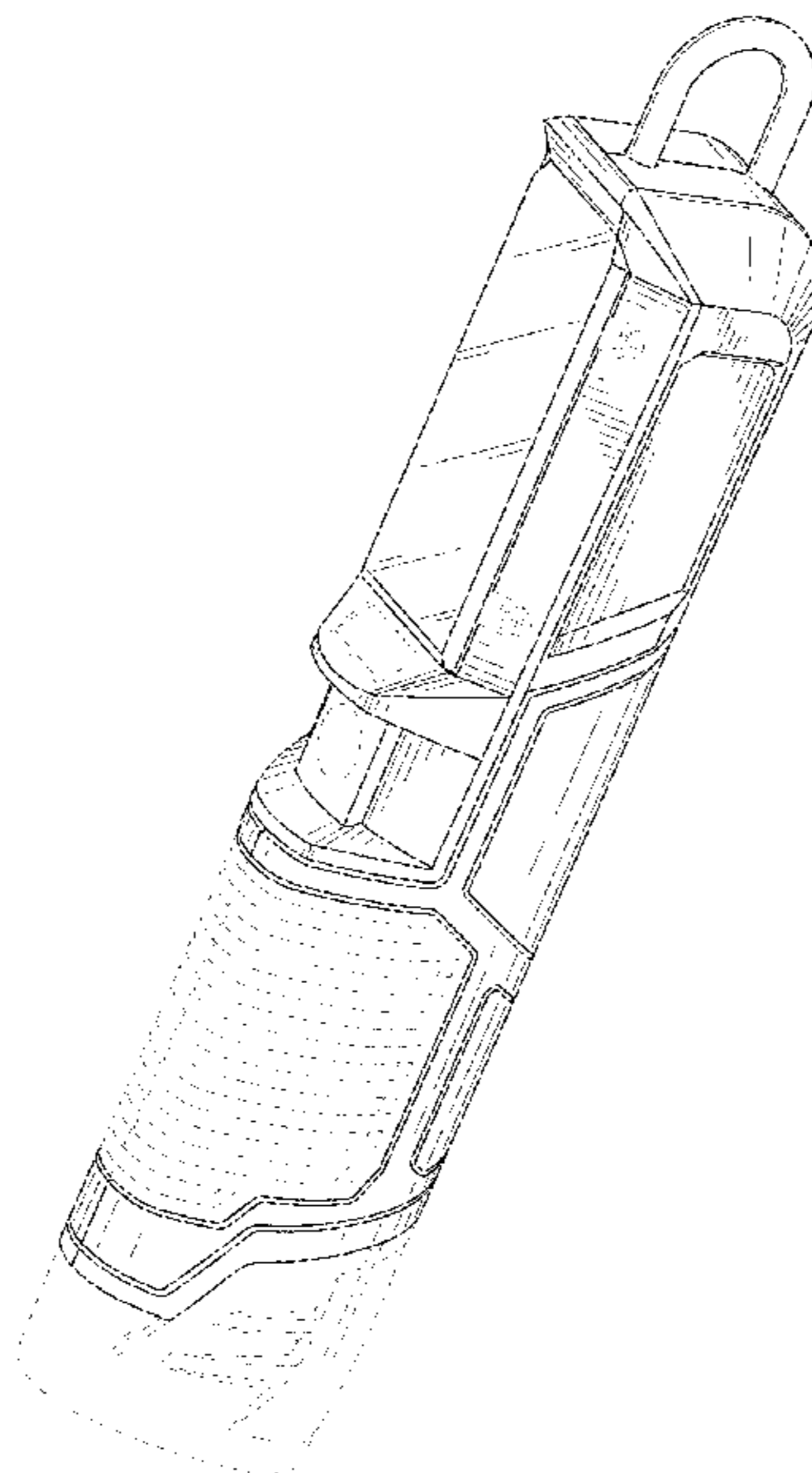
(57) **CLAIM**
 We claim the ornamental design for a stick light, as shown and described.

DESCRIPTION

FIG. 1 is a perspective view of a stick light according to our new design.
 FIG. 2 is a front view of the stick light shown in FIG. 1.
 FIG. 3 is a rear view of the stick light shown in FIG. 1.
 FIG. 4 is a left side view of the stick light shown in FIG. 1.
 FIG. 5 is a right side view of the stick light shown in FIG. 1.
 FIG. 6 is a top view of the stick light shown in FIG. 1; and,
 FIG. 7 is a bottom view of the stick light shown in FIG. 1.
 The elements shown in broken lines form no part of the claimed design.

- (56) **References Cited**
- U.S. PATENT DOCUMENTS
- 2,889,450 A 6/1959 Nordquist et al.
- 3,103,659 A 9/1963 Edwards
- 4,246,629 A 1/1981 Marrero

1 Claim, 4 Drawing Sheets



(56)

References Cited

U.S. PATENT DOCUMENTS

D529,210 S	9/2006	Mundhra					
7,153,004 B2	12/2006	Galli					
D538,457 S *	3/2007	Kovacik et al.	D26/42			
D545,469 S	6/2007	Wikle et al.					
7,246,927 B2	7/2007	Wikle et al.					
7,290,904 B2	11/2007	Miller					
D556,926 S *	12/2007	Thirouin	D26/37			
D592,784 S *	5/2009	van den Dool	D26/75			
D593,695 S *	6/2009	Levine	D26/42			
D596,326 S *	7/2009	Jiang	D26/42			
7,682,033 B2	3/2010	Cranor					
7,703,966 B2	4/2010	Waters					
					7,705,542 B2	4/2010	Hilt et al.
					D626,673 S *	11/2010	Kovacik et al.
							D26/42
					7,866,840 B2	1/2011	Padden
					D647,653 S *	10/2011	Leen
							D26/42
					8,148,917 B2	4/2012	Hilt et al.
					D661,417 S *	6/2012	Kung
							D26/42
					D684,283 S *	6/2013	Zhou et al.
							D26/49
					D691,310 S *	10/2013	Zhou et al.
							D26/37
					D694,446 S *	11/2013	Zhou et al.
							D26/42
					2002/0149930 A1	10/2002	Parker
					2005/0259412 A1	11/2005	Hiromori
					2006/0120090 A1	6/2006	Wikle et al.
					2009/0196054 A1	8/2009	Cheng
					2010/0020543 A1	1/2010	Yiu et al.
					2010/0085739 A1	4/2010	Webb et al.

* cited by examiner

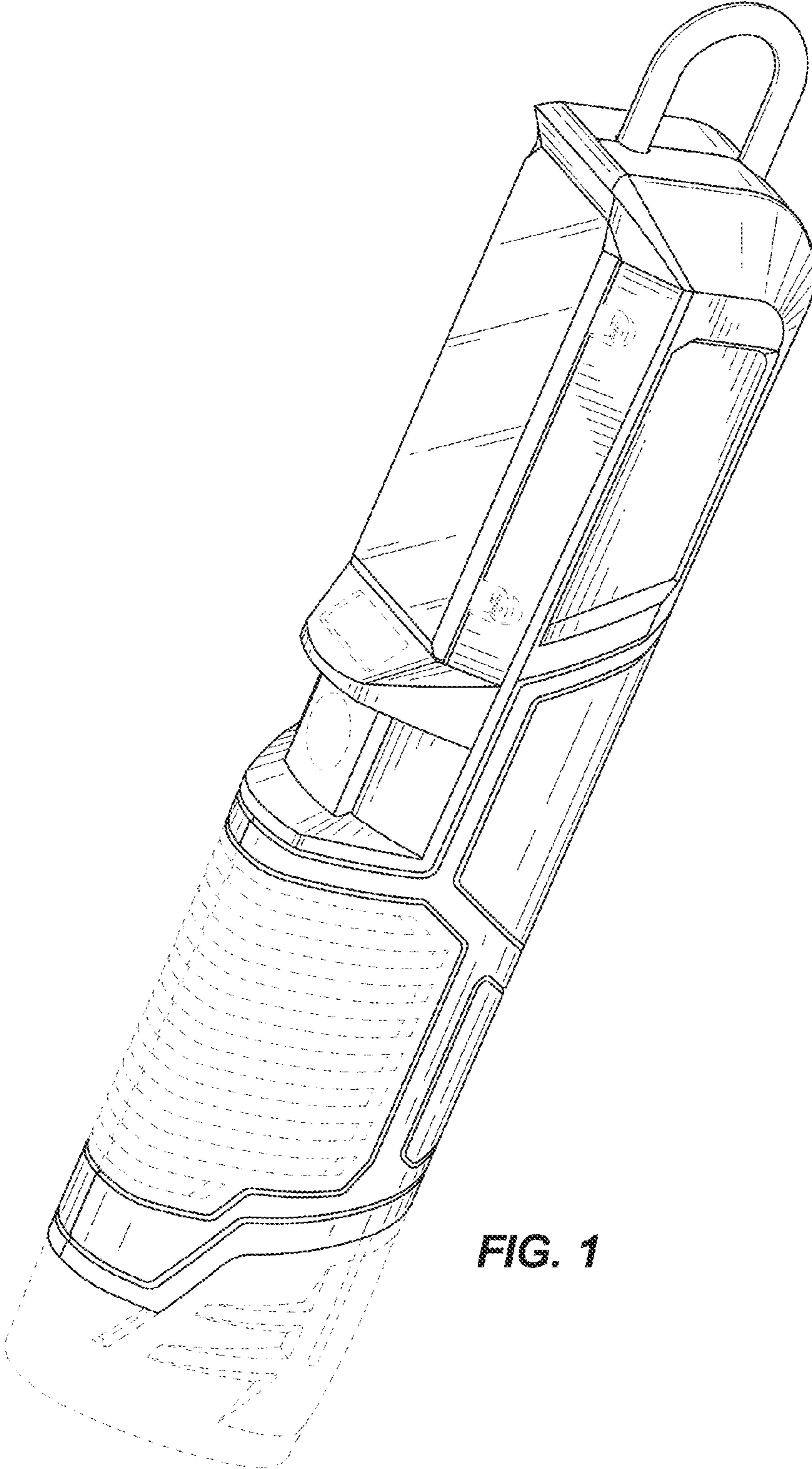


FIG. 1

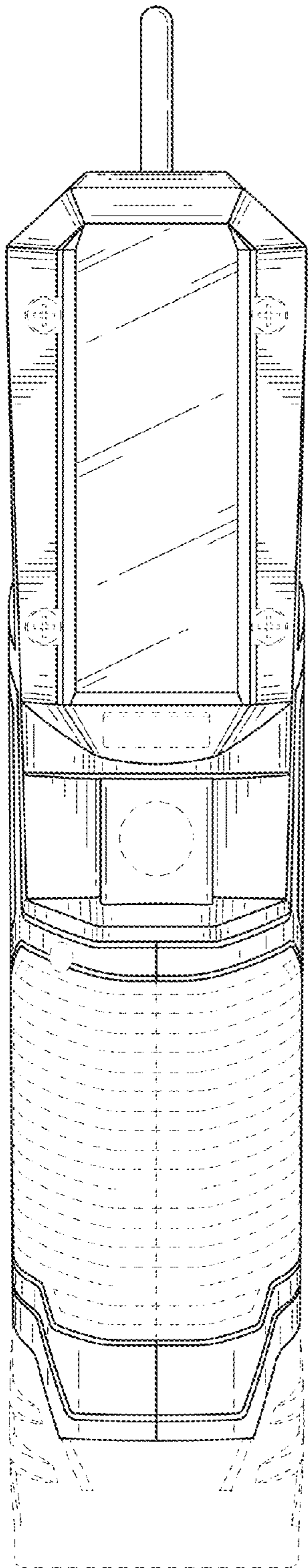


FIG. 2

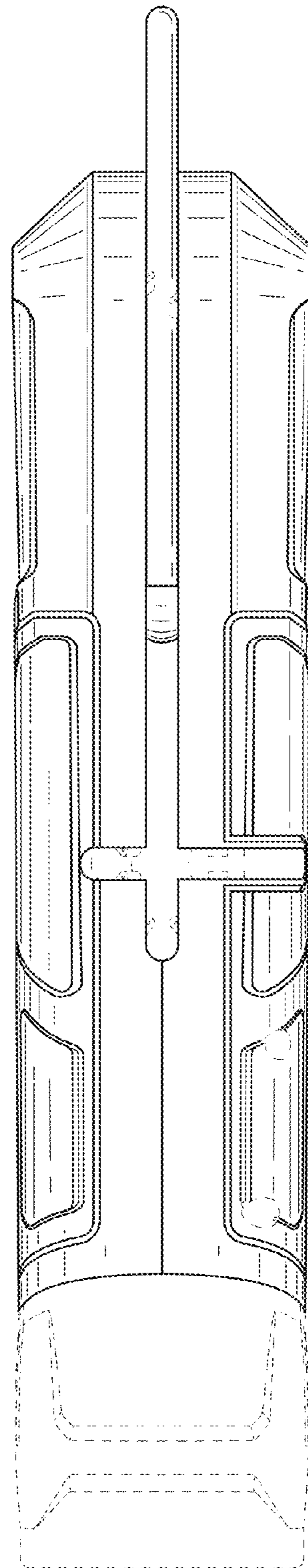


FIG. 3

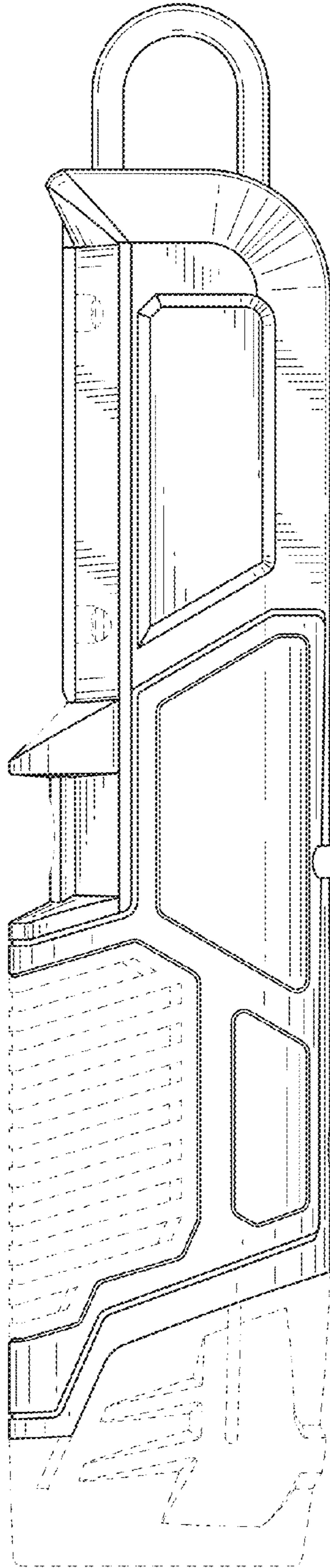


FIG. 4

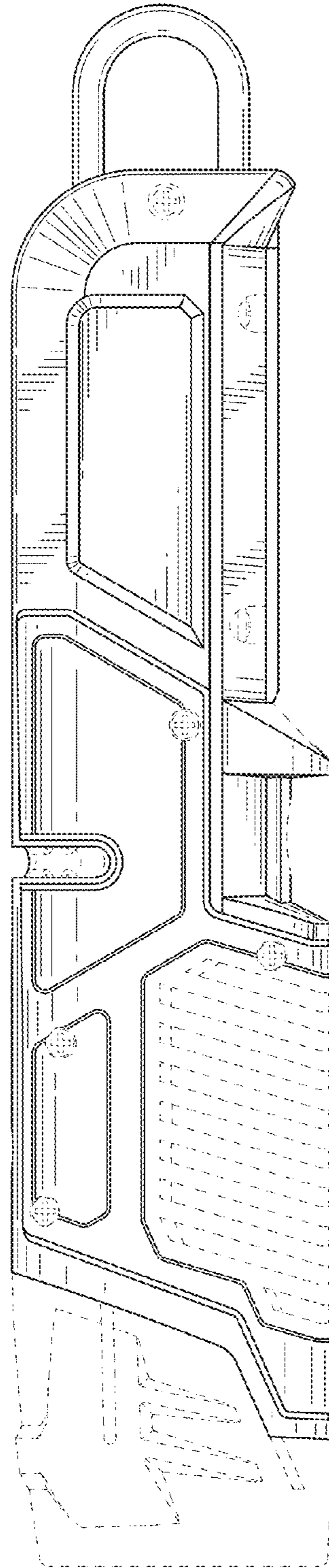


FIG. 5

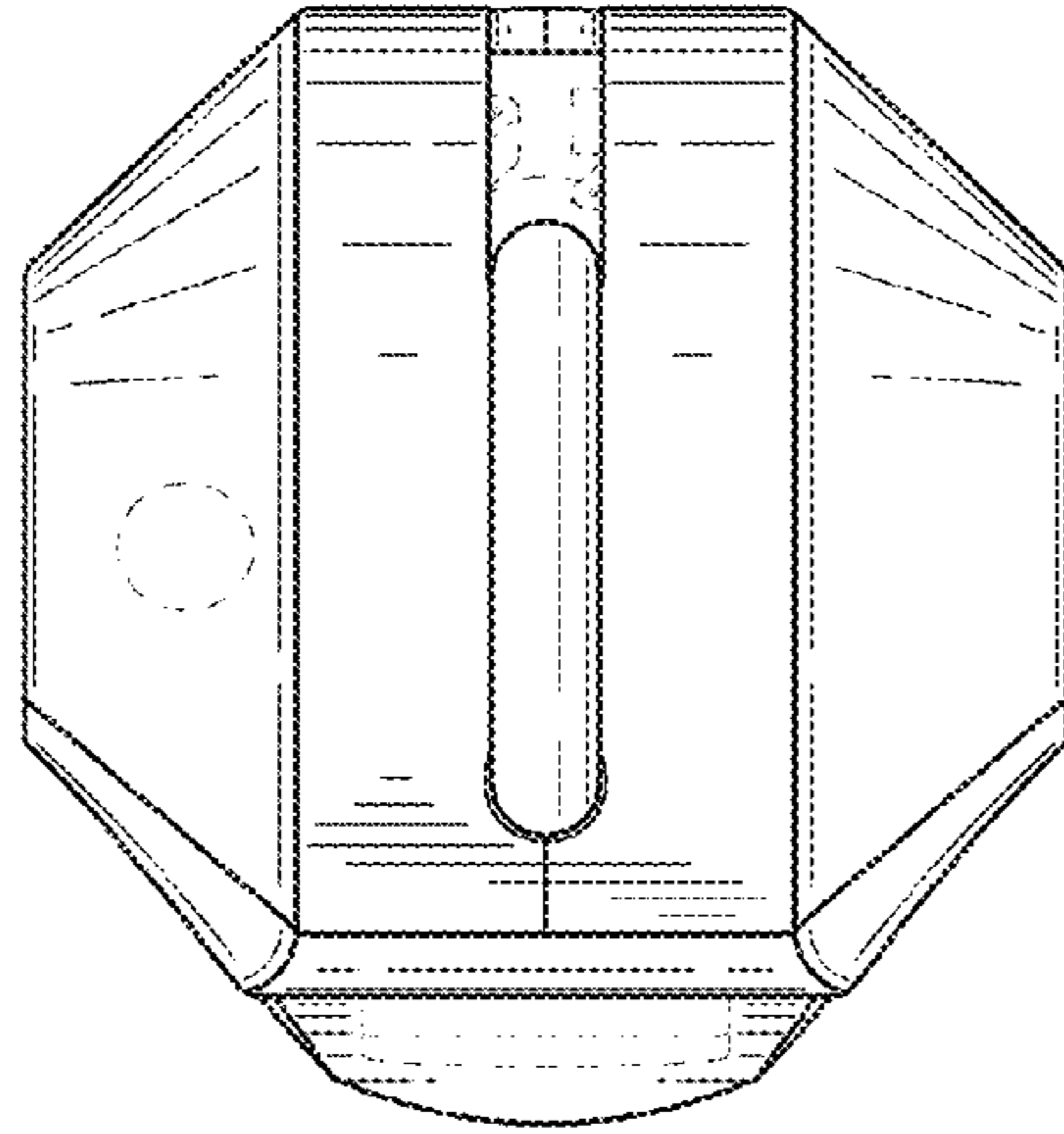


FIG. 6

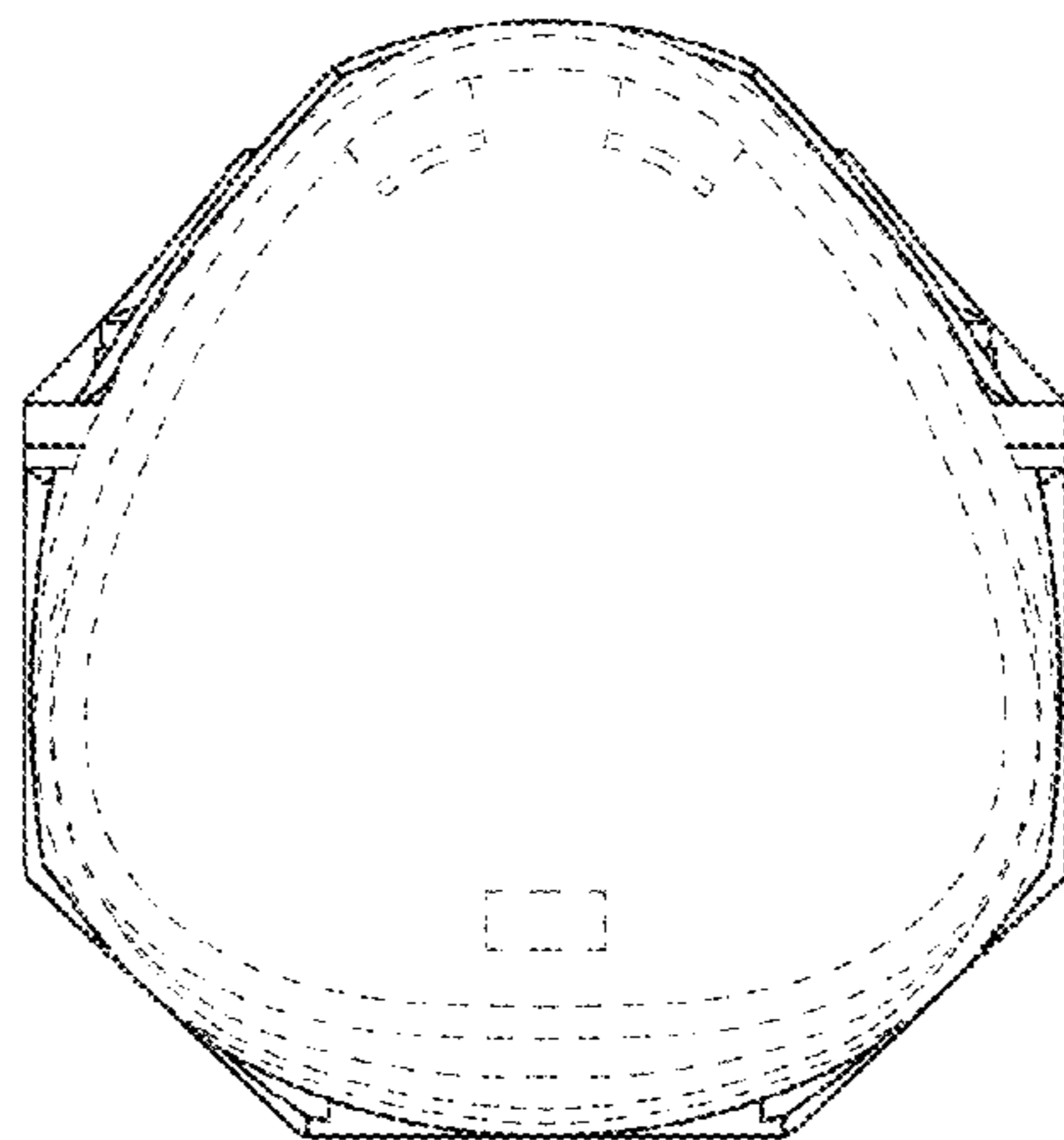


FIG. 7