



US00D708373S

(12) **United States Design Patent**  
**Kani**

(10) **Patent No.:** **US D708,373 S**  
(45) **Date of Patent:** **\*\* Jul. 1, 2014**

(54) **LAMP FOR A VEHICLE**

(75) Inventor: **Gen Kani**, Tokyo (JP)  
(73) Assignee: **PIAA Corporation**, Tokyo (JP)  
(\*\*) Term: **14 Years**  
(21) Appl. No.: **29/421,065**  
(22) Filed: **May 14, 2012**

(30) **Foreign Application Priority Data**

Nov. 16, 2011 (JP) ..... 2011-026466

(51) **LOC (10) CL.** ..... **26-06**

(52) **U.S. CL.**  
USPC ..... **D26/28**

(58) **Field of Classification Search**  
USPC ..... D26/28-36; 362/459-468, 475-478,  
362/485-487  
See application file for complete search history.

(56) **References Cited**

**U.S. PATENT DOCUMENTS**

D570,009 S	5/2008	Kani et al.	
D601,727 S	* 10/2009	Huang	D26/28
D605,789 S	* 12/2009	Ko	D26/28
D626,670 S	* 11/2010	Metzger et al.	D26/28
D657,081 S	* 4/2012	Alisauskas et al.	D26/28
D670,839 S	* 11/2012	Smarslik	D26/28
D693,035 S	* 11/2013	Datz et al.	D26/28

**OTHER PUBLICATIONS**

Catalogue titled "PIAA High Performance Lighting Systems" distributed in Sep. 2013; 3 pages; Japan.

\* cited by examiner

*Primary Examiner* — Marcus Jackson

(74) *Attorney, Agent, or Firm* — Olson & Cepuritis, Ltd.

(57) **CLAIM**

The ornamental design for a lamp for a vehicle, as shown and described.

**DESCRIPTION**

FIG. 1 is a perspective view of a lamp for a vehicle wherein the surface shading is intended to show that the front cover of the lamp is transparent;  
FIG. 2 is a front view thereof;  
FIG. 3 is a rear view thereof;  
FIG. 4 is a right side view thereof; a left side view being a mirror view of the right side view;  
FIG. 5 is a top plan view thereof;  
FIG. 6 is a bottom plan view thereof; and,  
FIG. 7 is a cross-sectional view taken along line 7-7 in FIG. 4 thereof.

The broken lines showing on the drawing disclosure are for illustrative purposes only and form no part of the claimed design.

**1 Claim, 6 Drawing Sheets**

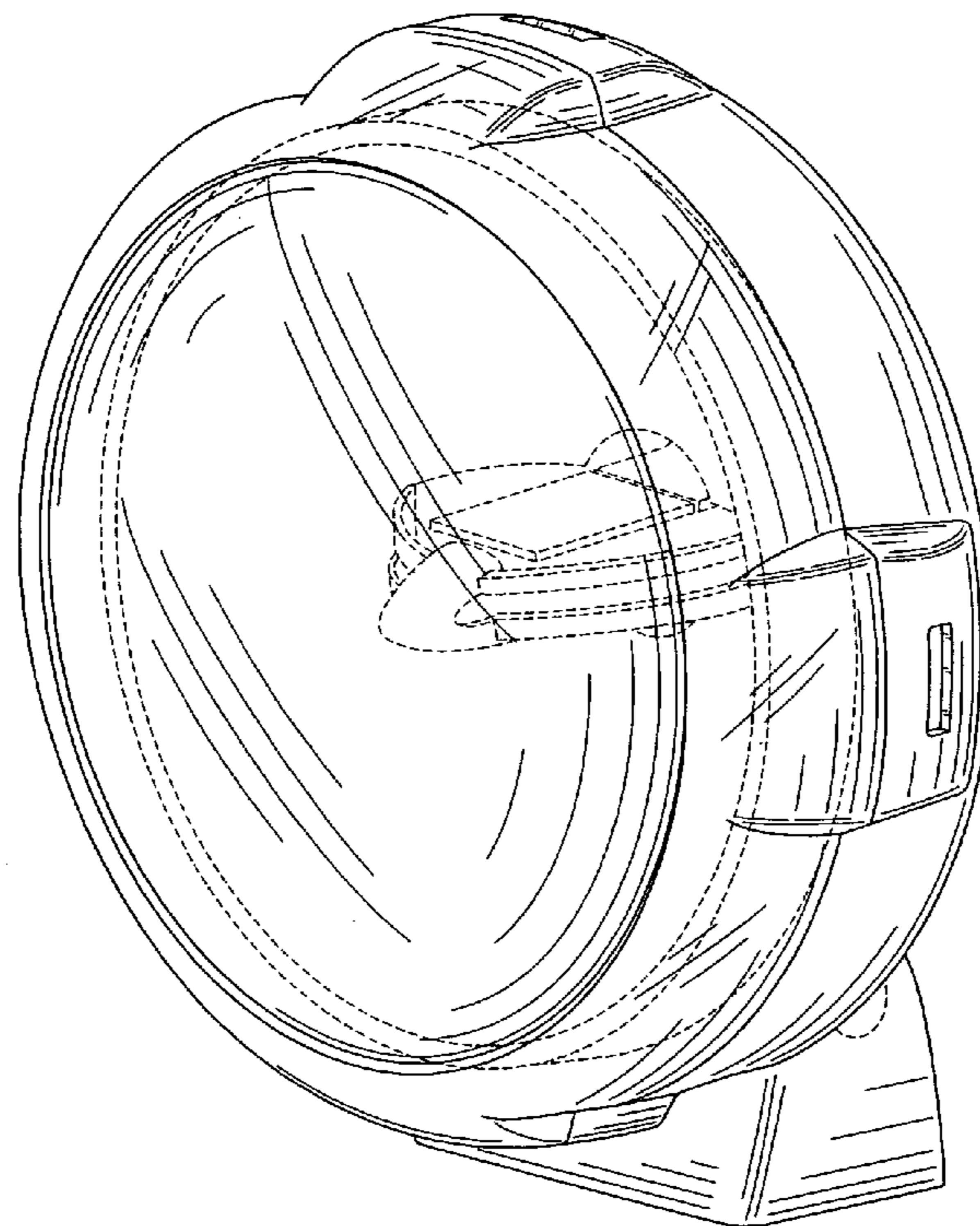


Fig. 1

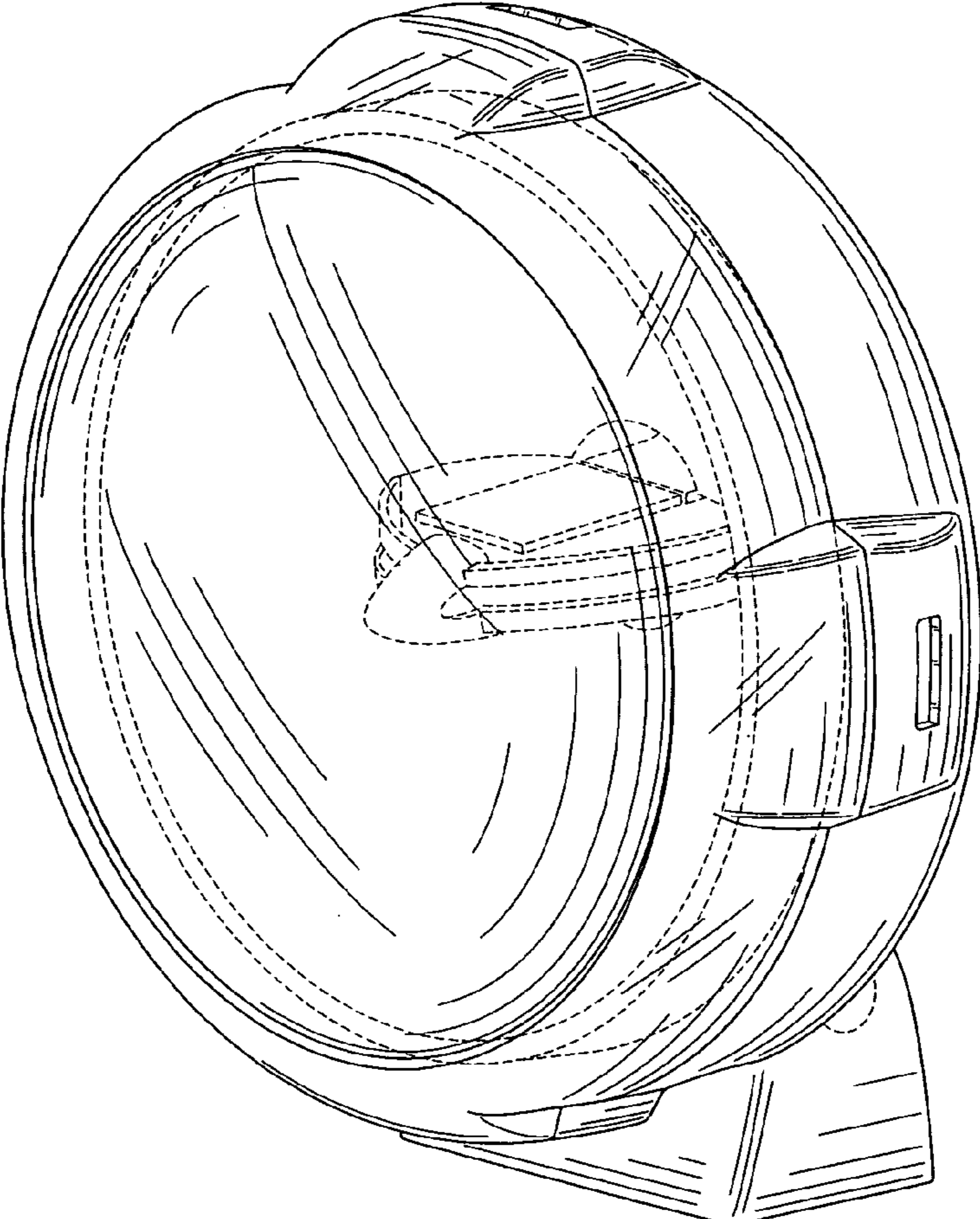


Fig.2

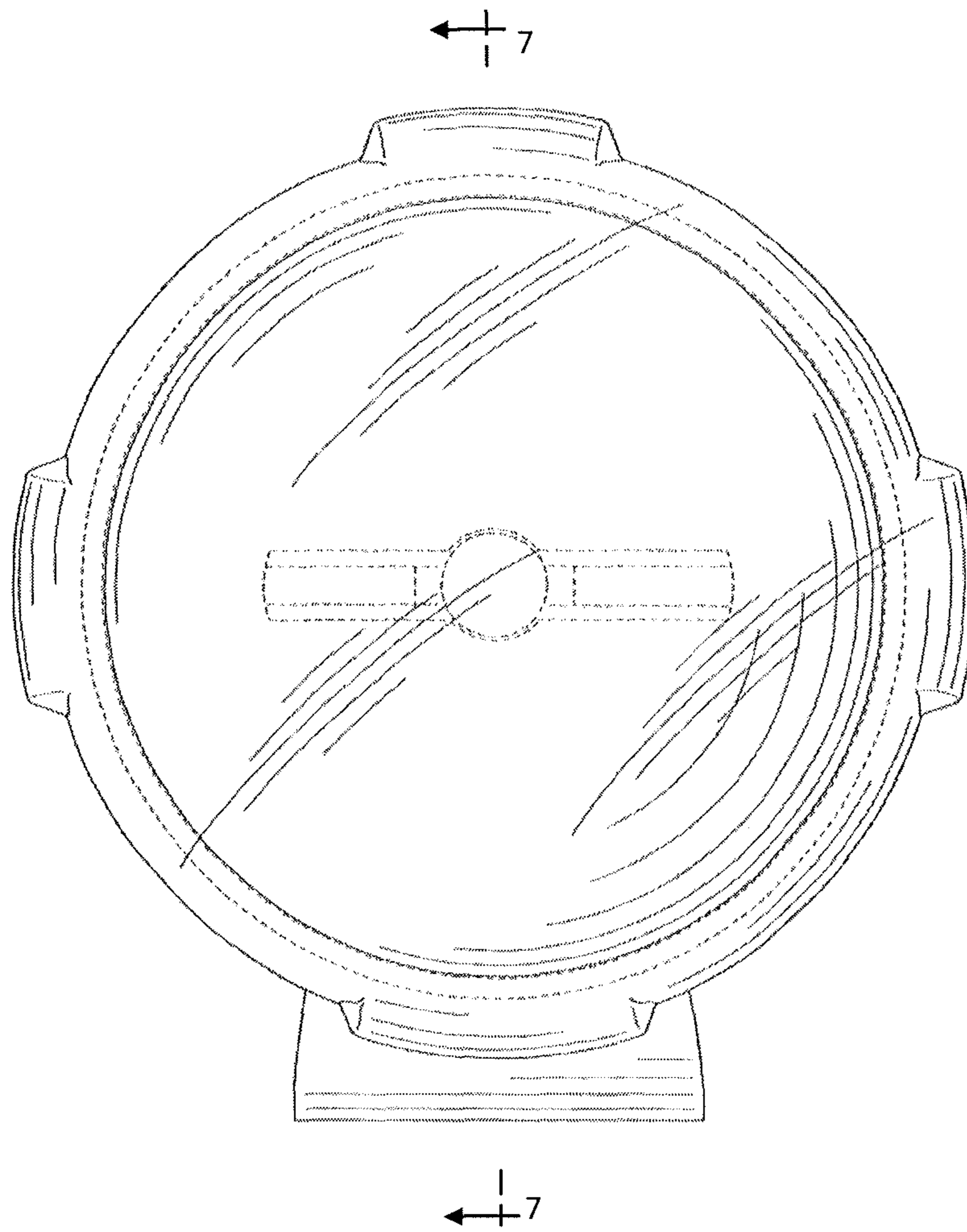


Fig.3

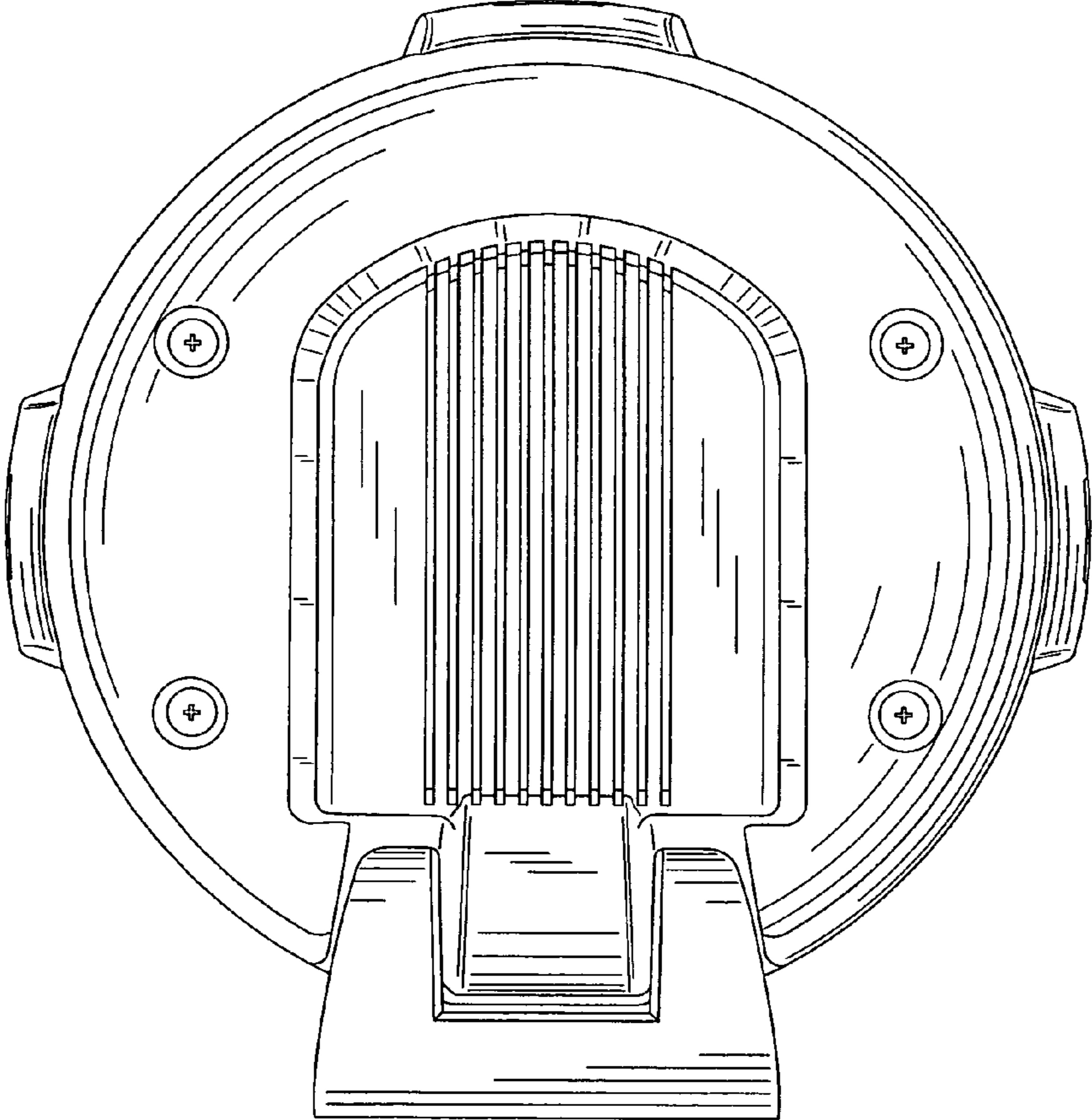


Fig.4

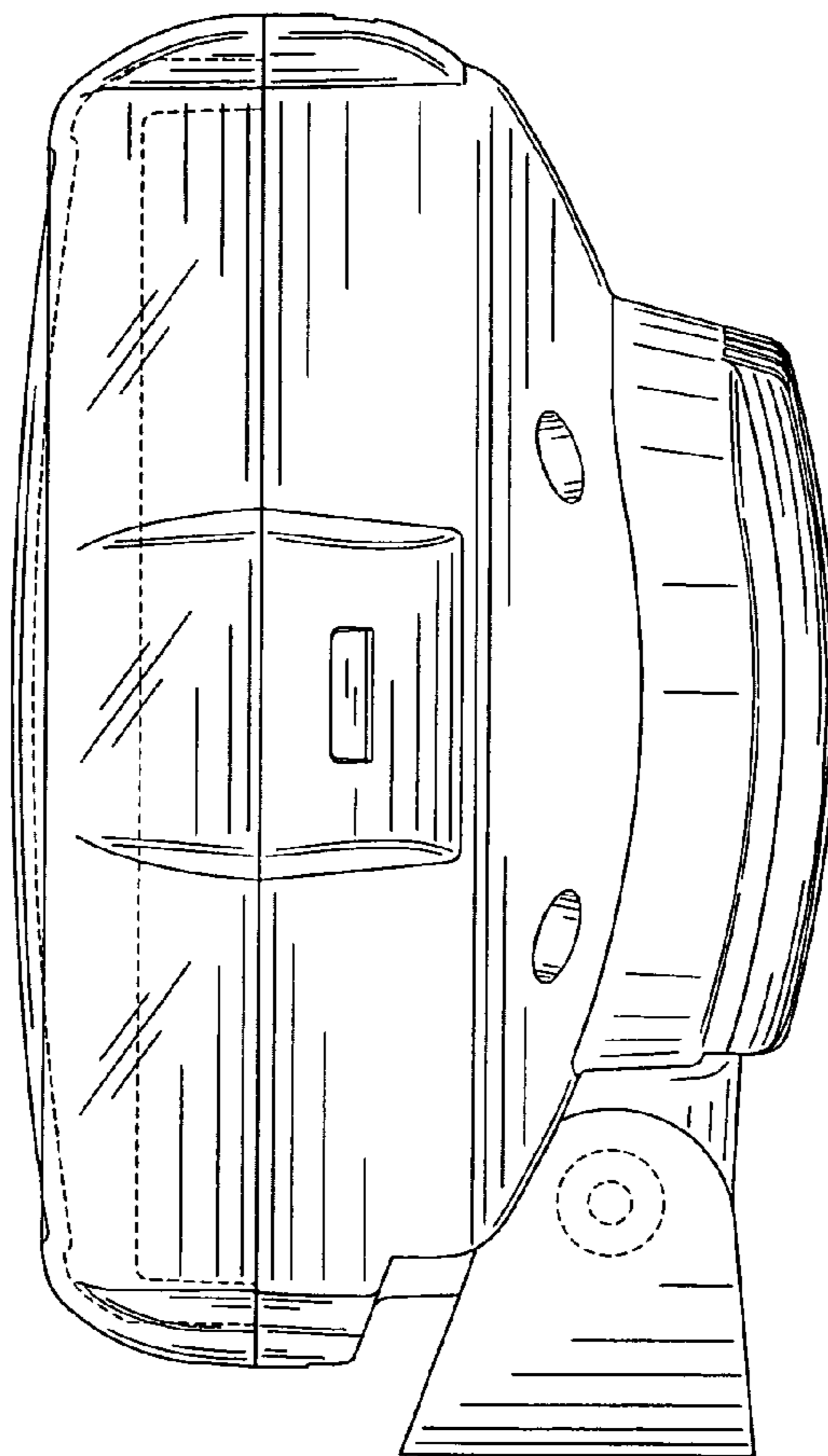


Fig.5

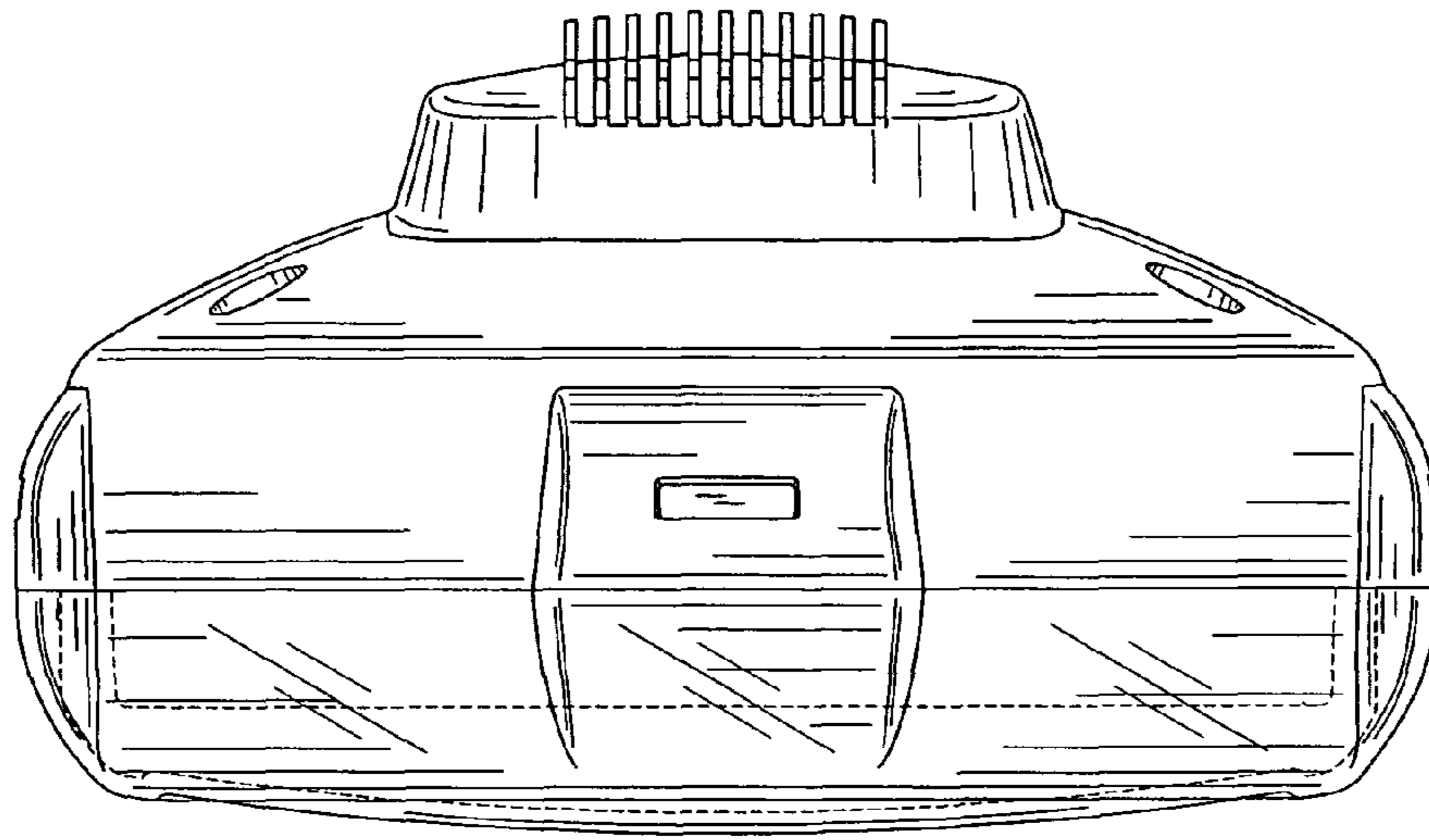


Fig.6

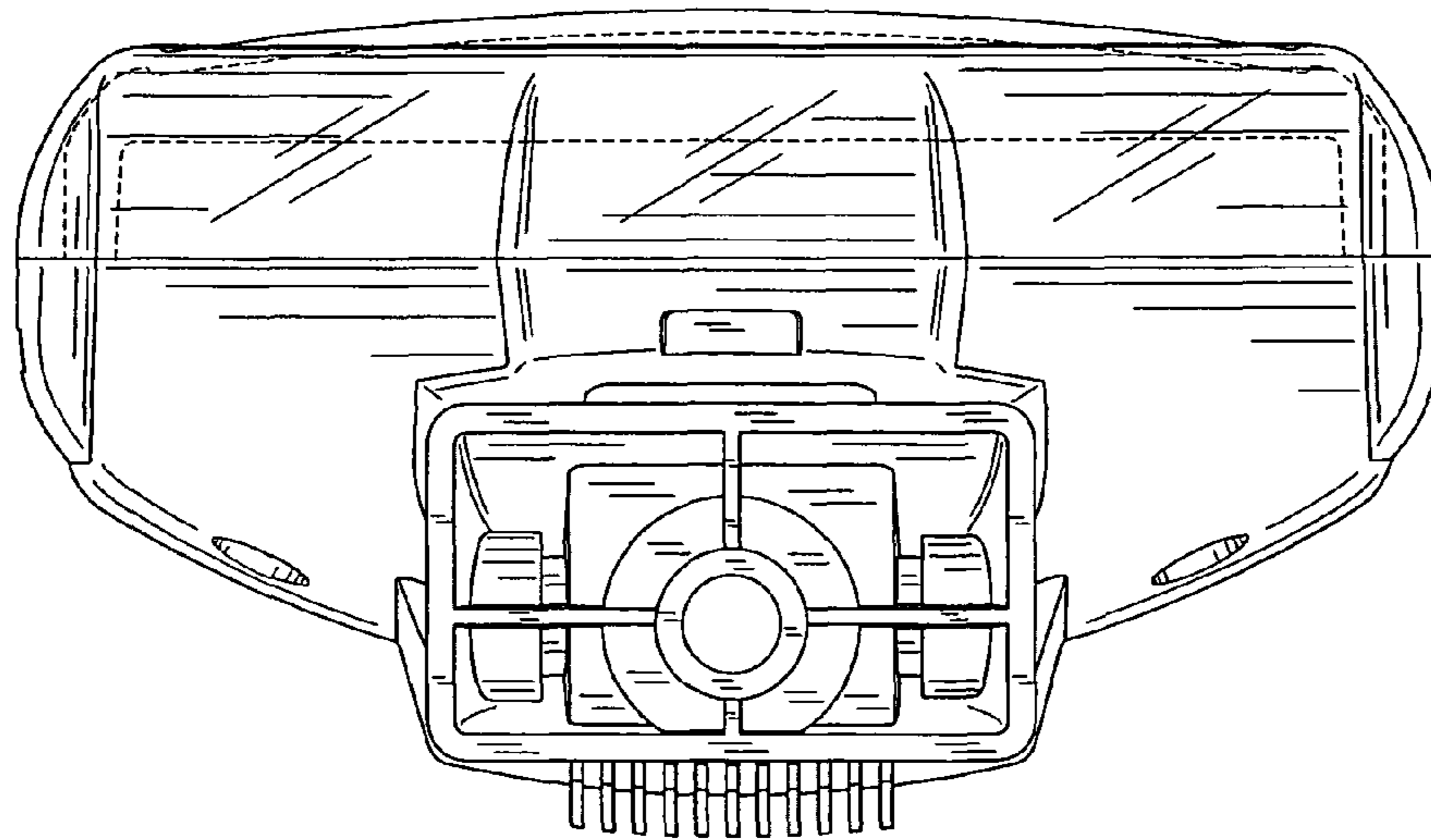


Fig.7

