



US00D708370S

(12) **United States Design Patent**
Song et al.

(10) **Patent No.:** **US D708,370 S**
(45) **Date of Patent:** **** Jul. 1, 2014**

(54) **VEHICLE HEADLIGHT**
(75) Inventors: **Solomon H. Song**, Farmington Hills, MI (US); **Darrell Paul Behmer**, Novi, MI (US); **Shawn Wehrly**, Royal Oak, MI (US)

(73) Assignee: **Ford Motor Company**, Dearborn, MI (US)

(**) Term: **14 Years**

(21) Appl. No.: **29/416,984**

(22) Filed: **Mar. 29, 2012**

(51) **LOC (10) Cl.** **26-06**

(52) **U.S. Cl.**
USPC **D26/28**

(58) **Field of Classification Search**
USPC D26/28-36; 362/459-468, 475-478, 362/485-487
See application file for complete search history.

(56) **References Cited**

U.S. PATENT DOCUMENTS

D490,174 S * 5/2004 Lin D26/28
D493,550 S * 7/2004 Lin D26/28

D495,813 S * 9/2004 Lin D26/28
D527,138 S * 8/2006 Golden et al.
D528,681 S * 9/2006 Nakahara D26/28
D538,956 S * 3/2007 Ishii D26/28
D561,358 S * 2/2008 Tachibana D26/28
D593,232 S * 5/2009 Koman et al. D26/28
D635,694 S * 4/2011 Yang et al. D26/28
D638,556 S * 5/2011 Song et al.

* cited by examiner

Primary Examiner — Marcus Jackson

(74) *Attorney, Agent, or Firm* — Damian Porcari

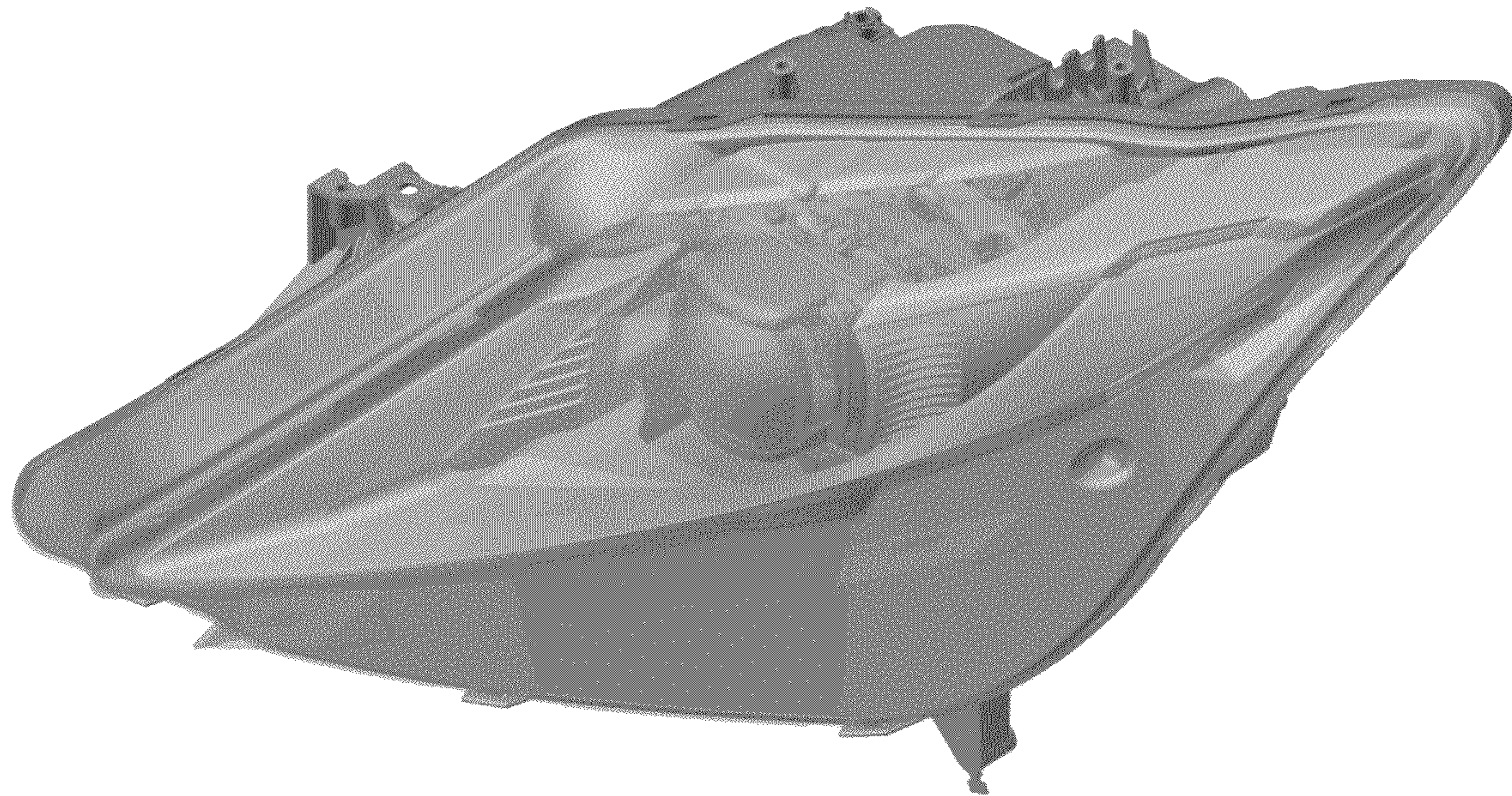
(57) **CLAIM**

The ornamental design for a vehicle headlight, as shown and described.

DESCRIPTION

FIG. 1 is a left side elevational view of a left vehicle headlight (the right vehicle headlight being a mirror image and is not shown);
FIG. 2 is a right side elevational view of the vehicle headlight;
FIG. 3 is a front elevational view of the vehicle headlight;
FIG. 4 is a top plan view of the vehicle headlight;
FIG. 5 is a bottom plan view of the vehicle headlight;
FIG. 6 is a perspective view of the vehicle headlight; and,
FIG. 7 is another perspective view of the vehicle headlight.

1 Claim, 7 Drawing Sheets



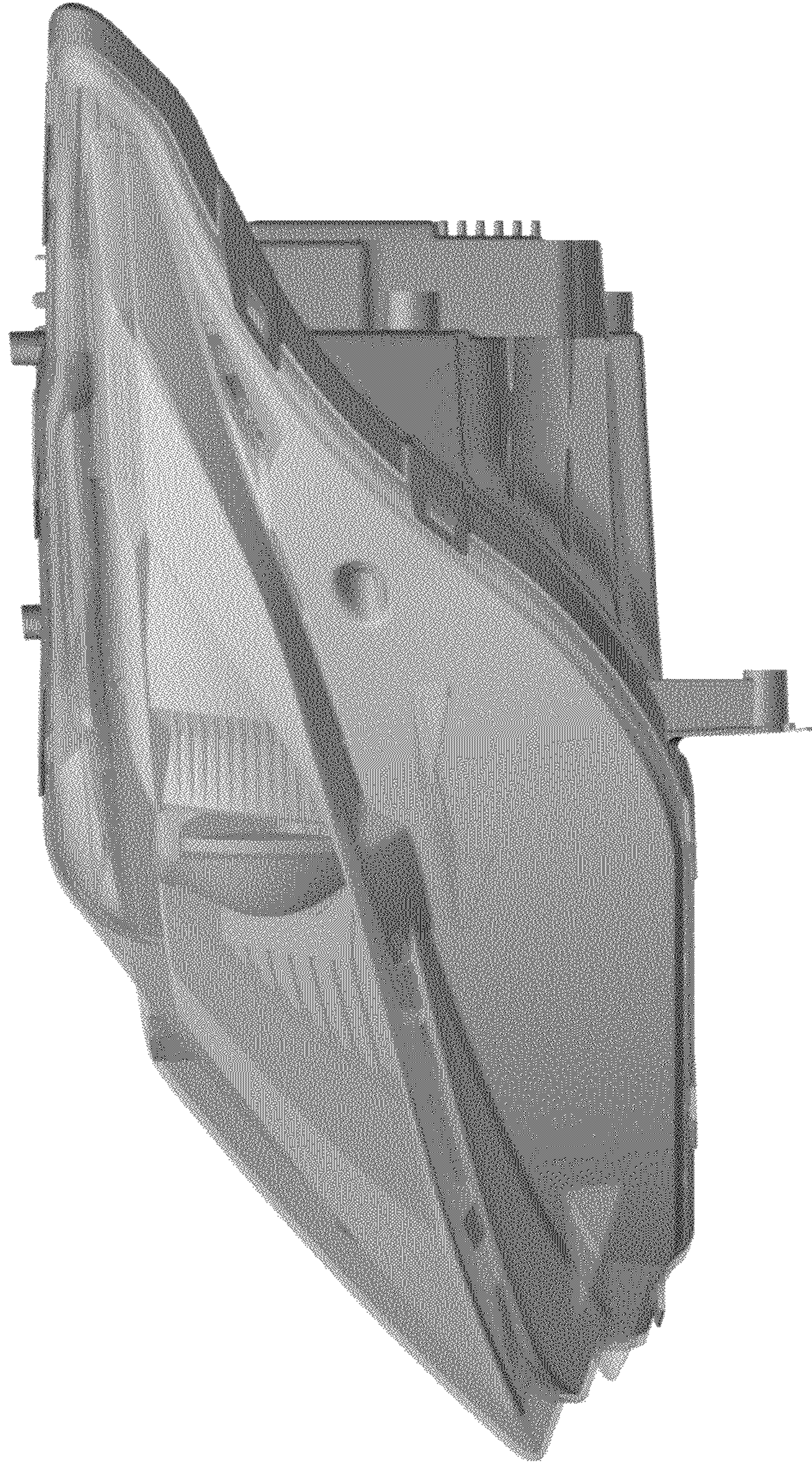


Figure 1

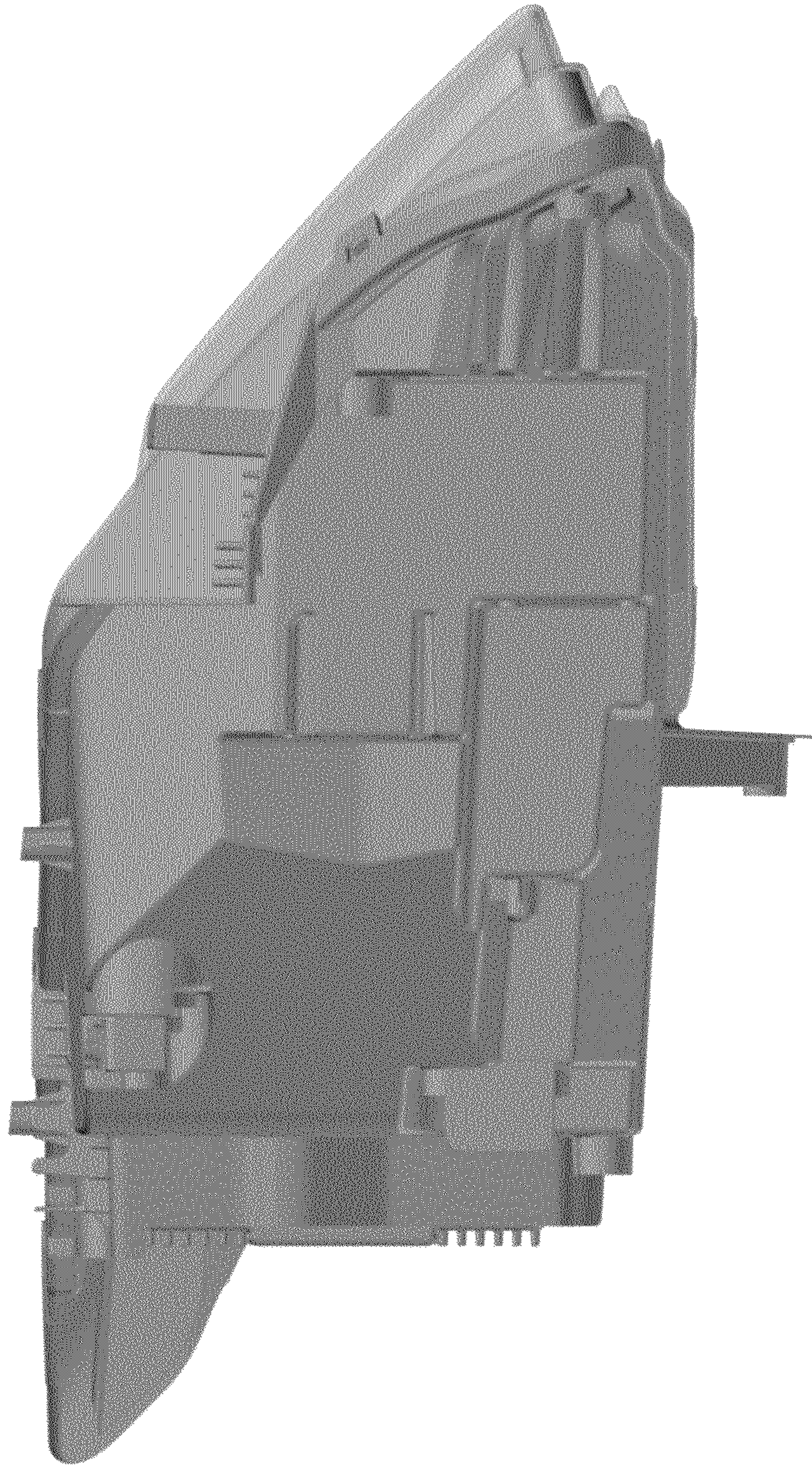


Figure 2

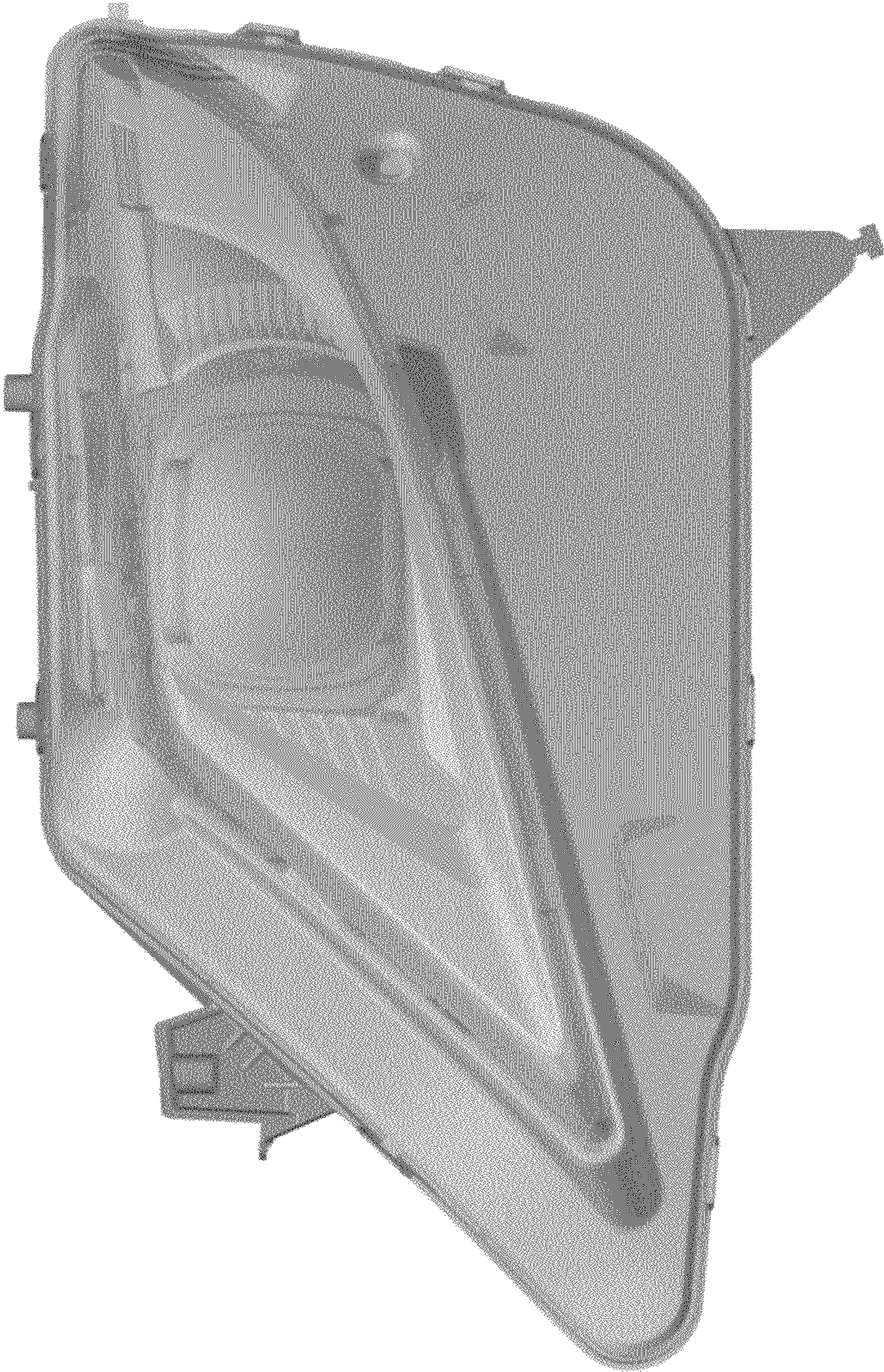


Figure 3

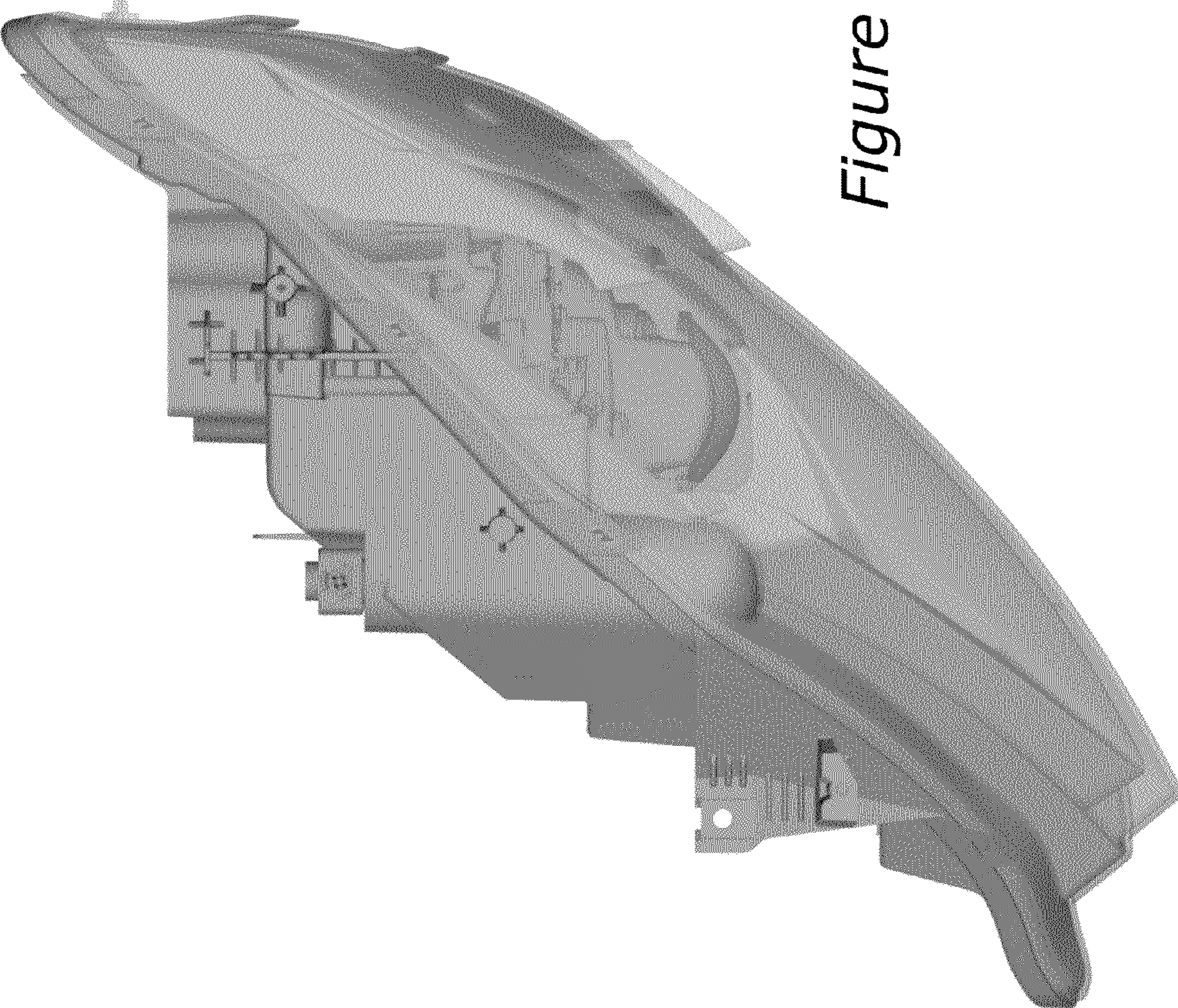
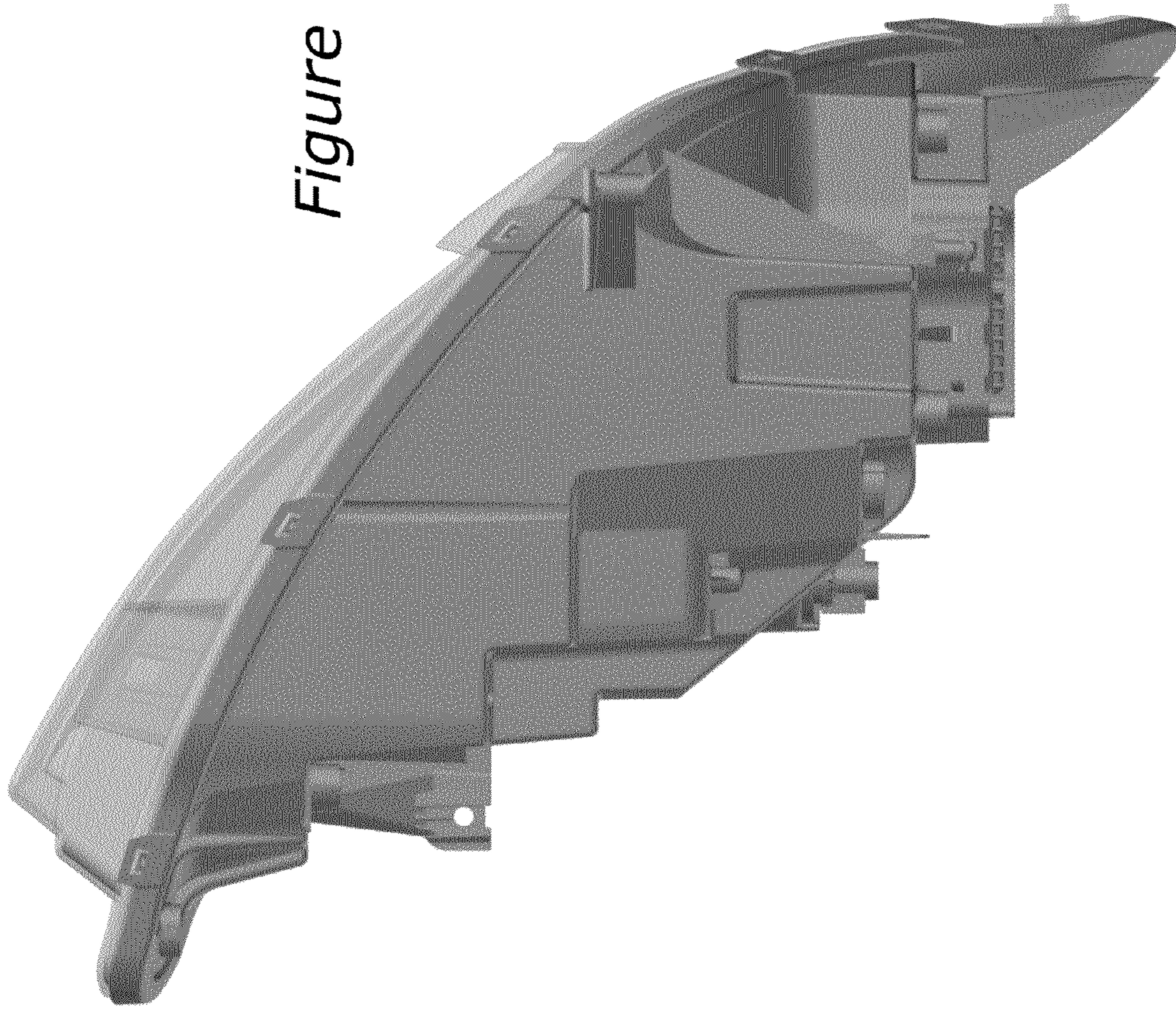


Figure 4

Figure 5



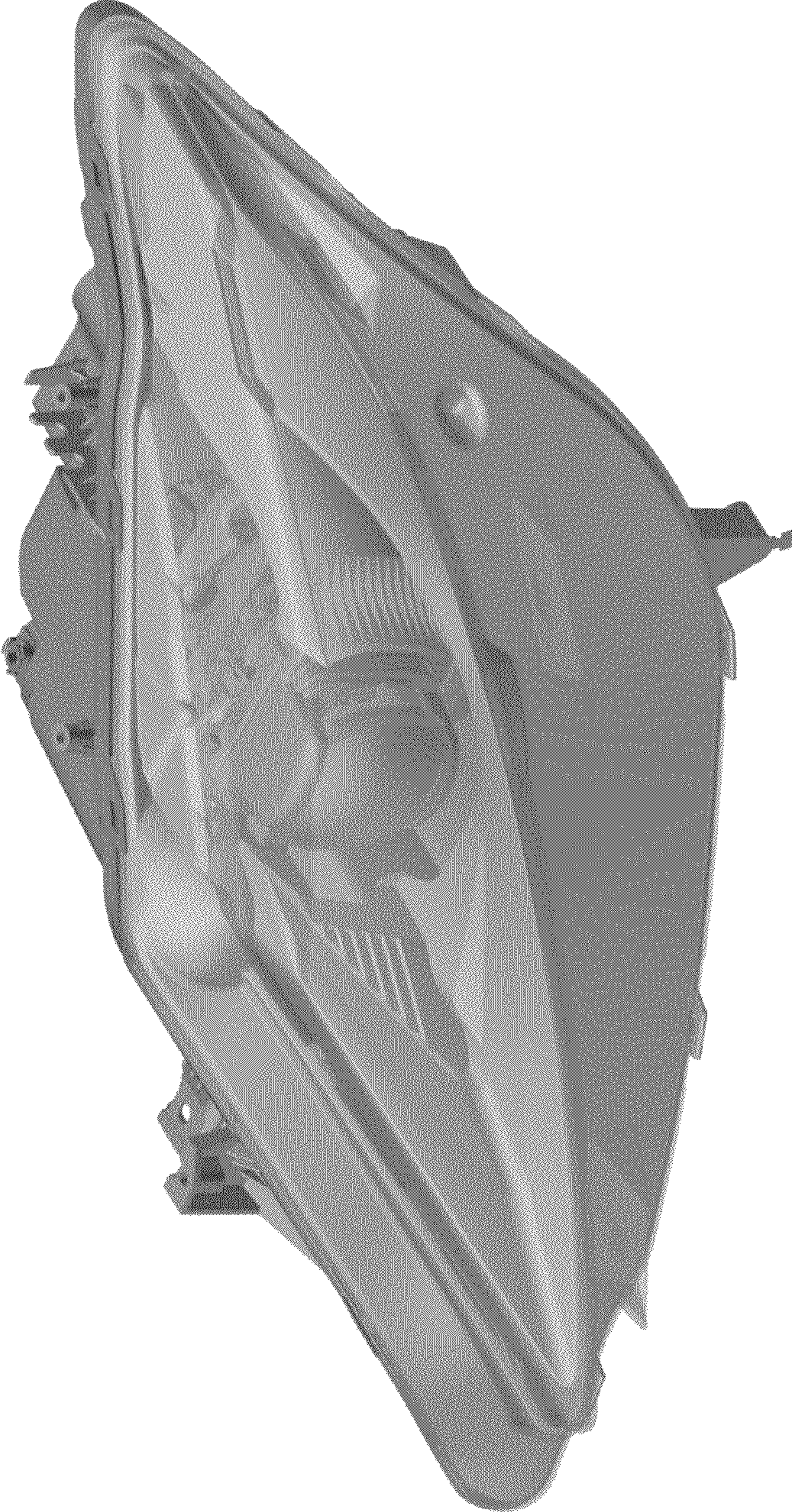


Figure 6

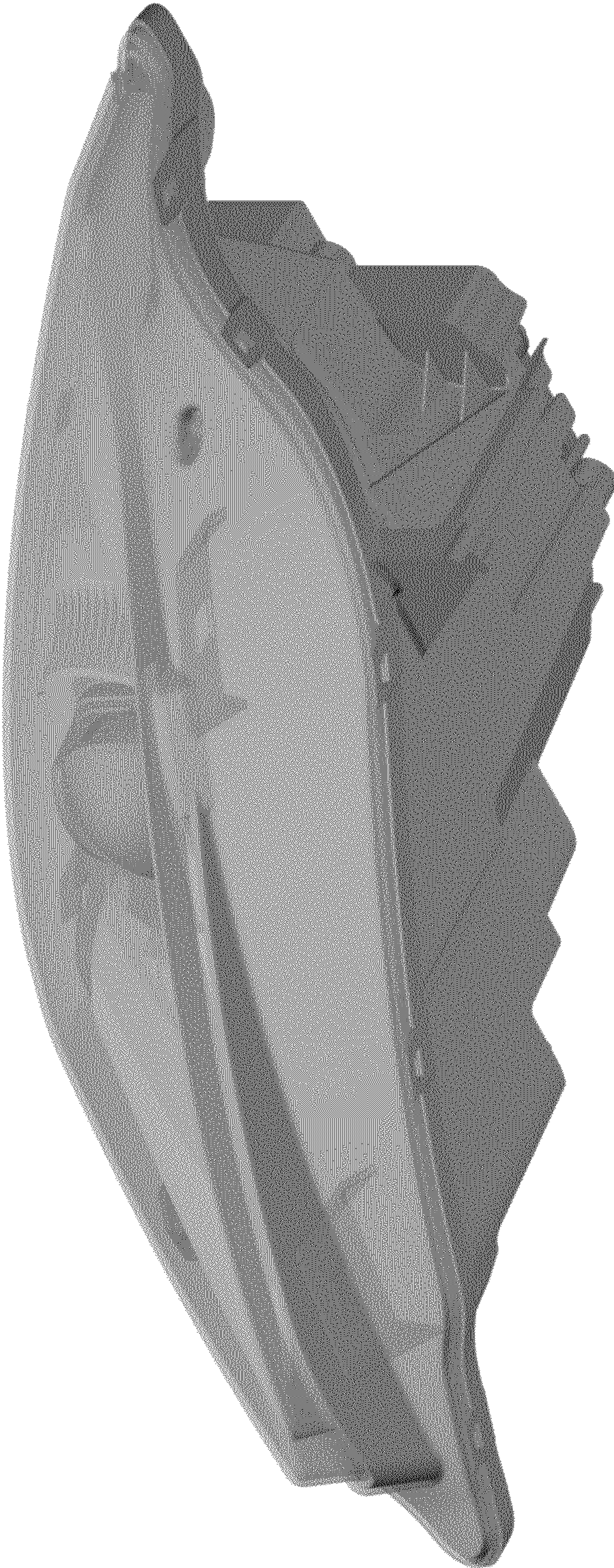


Figure 7