



US00D708366S

(12) **United States Design Patent**
Minamisawa et al.

(10) **Patent No.:** **US D708,366 S**
(45) **Date of Patent:** **** Jul. 1, 2014**

(54) **HEADLIGHT FOR A MOTOR VEHICLE**

FOREIGN PATENT DOCUMENTS

(75) Inventors: **Masanori Minamisawa**, Hiroshima (JP); **Shimpei Fujikawa**, Hiroshima (JP); **Motoaki Takekura**, Hiroshima (JP); **Yasunori Kawano**, Hiroshima (JP)

EM 000858840-0001 3/2008
EM 000924618-0001 6/2008
EM 001061212-0002 2/2009
EM 001671959-0001 2/2010
JP 1341272 A 10/2008

(73) Assignee: **Mazda Motor Corporation**, Hiroshima (JP)

OTHER PUBLICATIONS

(**) Term: **14 Years**

Mazda Official Website; "Mazda CX-5"; Aug. 2, 2011; <http://www.mazda.co.jp/corporate/publicity/release/2011/201108/110802a.html>.

(21) Appl. No.: **29/415,930**

* cited by examiner

(22) Filed: **Mar. 15, 2012**

Primary Examiner — Marcus Jackson

(30) **Foreign Application Priority Data**

(74) *Attorney, Agent, or Firm* — Studebaker & Brackett PC

Oct. 18, 2011 (JP) D2011-023812

(51) **LOC (10) Cl.** **26-06**

(57) **CLAIM**

(52) **U.S. Cl.**

The ornamental design for a headlight for a motor vehicle, as shown and described.

USPC **D26/28**

(58) **Field of Classification Search**

DESCRIPTION

USPC D26/28-36; 362/459-468, 475-478, 362/485-487

See application file for complete search history.

FIG. 1 is a first perspective view of a headlight for a motor vehicle;

(56) **References Cited**

FIG. 2 is a second perspective view thereof;

U.S. PATENT DOCUMENTS

FIG. 3 is a front view thereof;

D490,174 S * 5/2004 Lin D26/28
D493,550 S * 7/2004 Lin D26/28
D495,813 S * 9/2004 Lin D26/28
D528,681 S * 9/2006 Nakahara D26/28
D538,956 S * 3/2007 Ishii D26/28
D595,437 S 6/2009 Kurisu et al.

FIG. 4 is a rear view thereof;

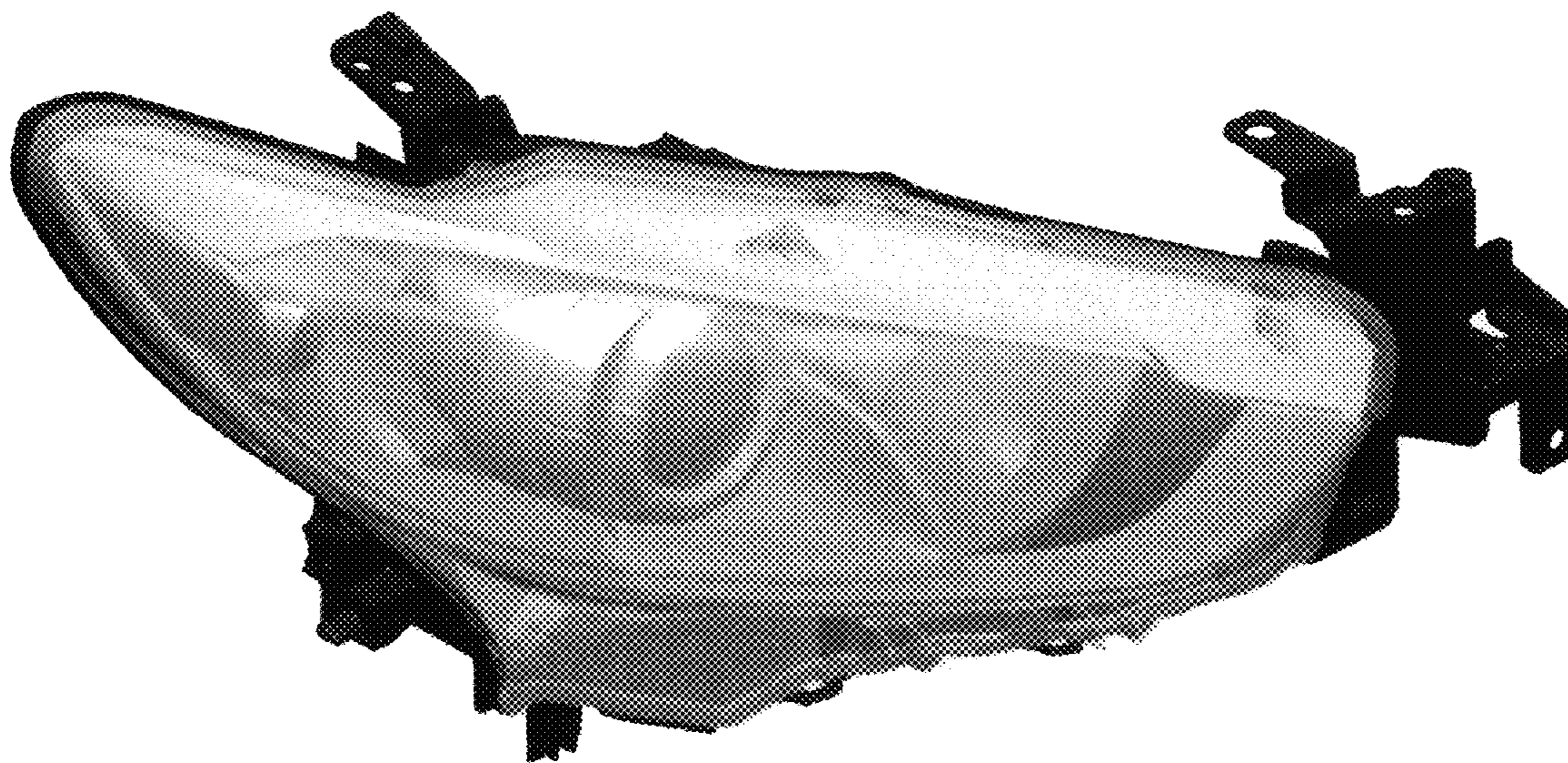
FIG. 5 is a left side view thereof;

FIG. 6 is a right side view thereof;

FIG. 7 is a top view thereof; and,

FIG. 8 is a bottom view thereof.

1 Claim, 4 Drawing Sheets



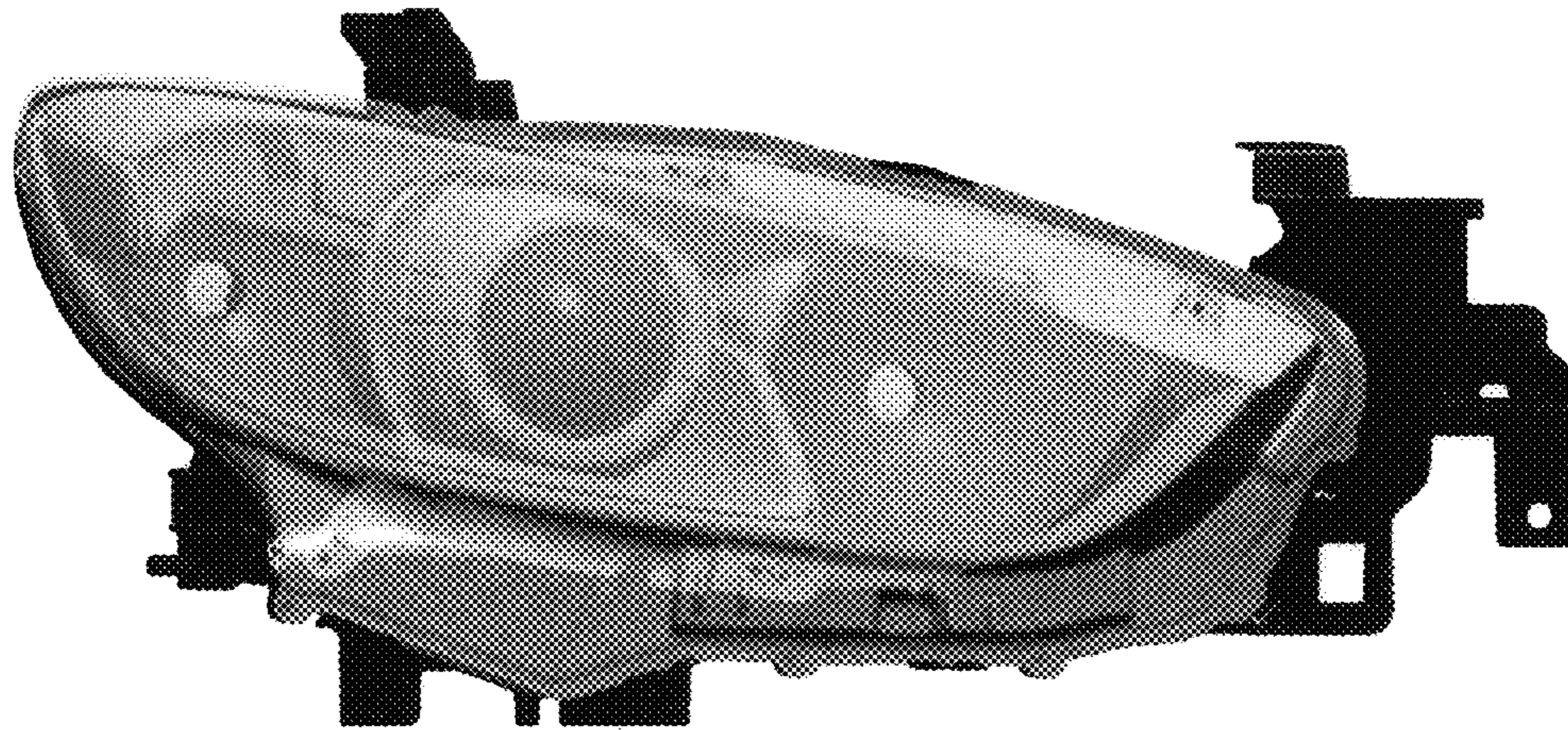


FIG.1

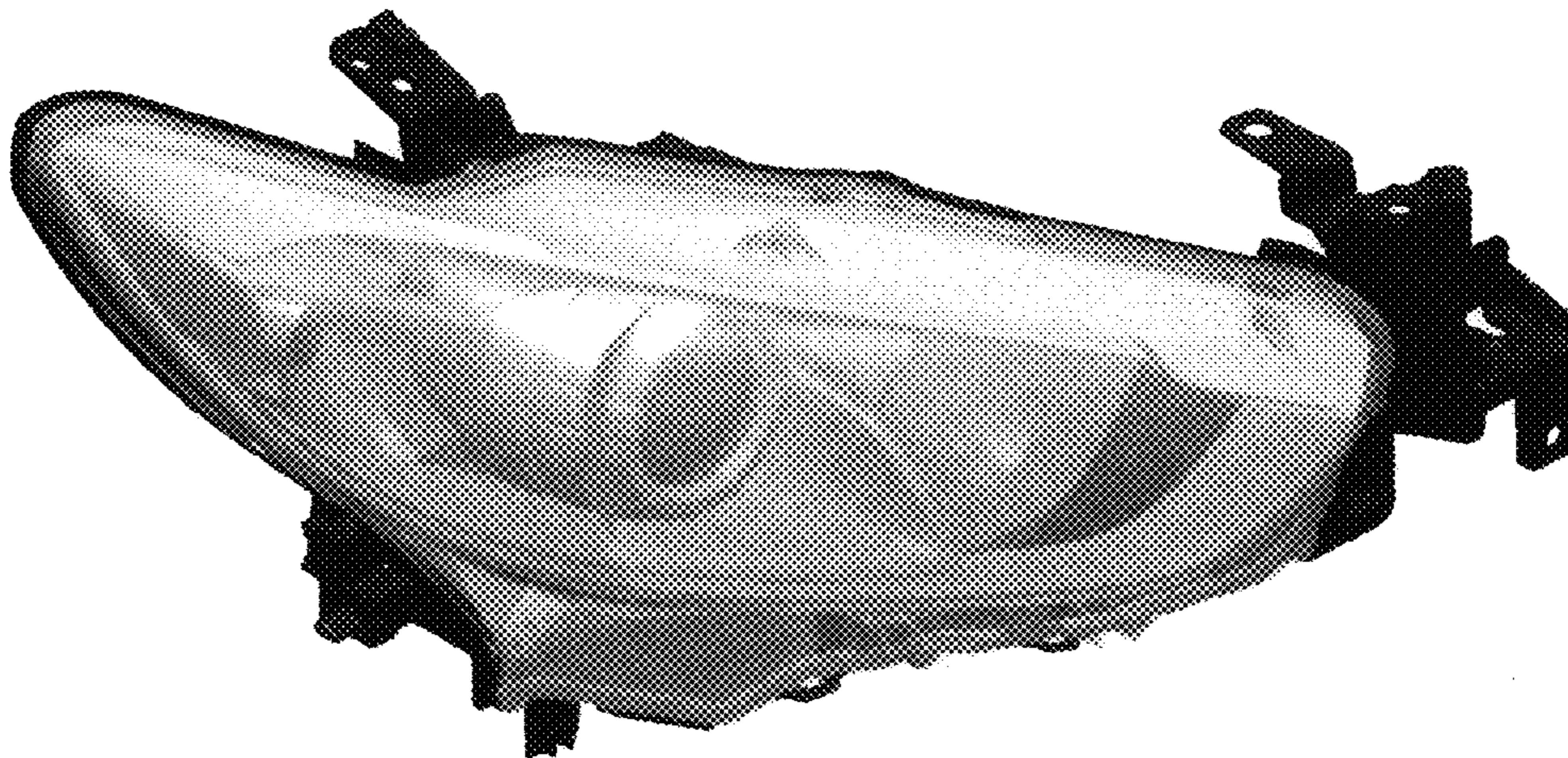


FIG.2

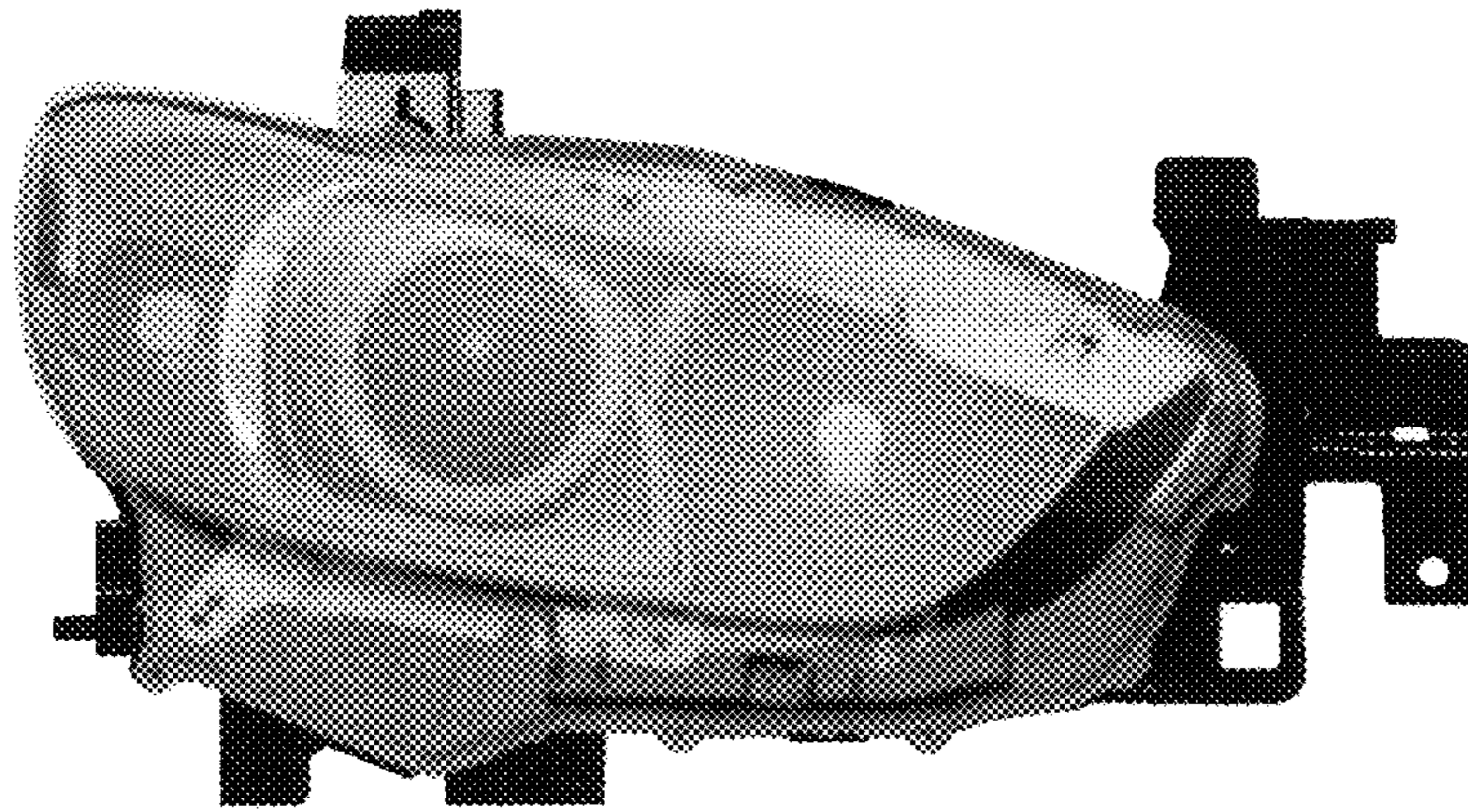


FIG.3

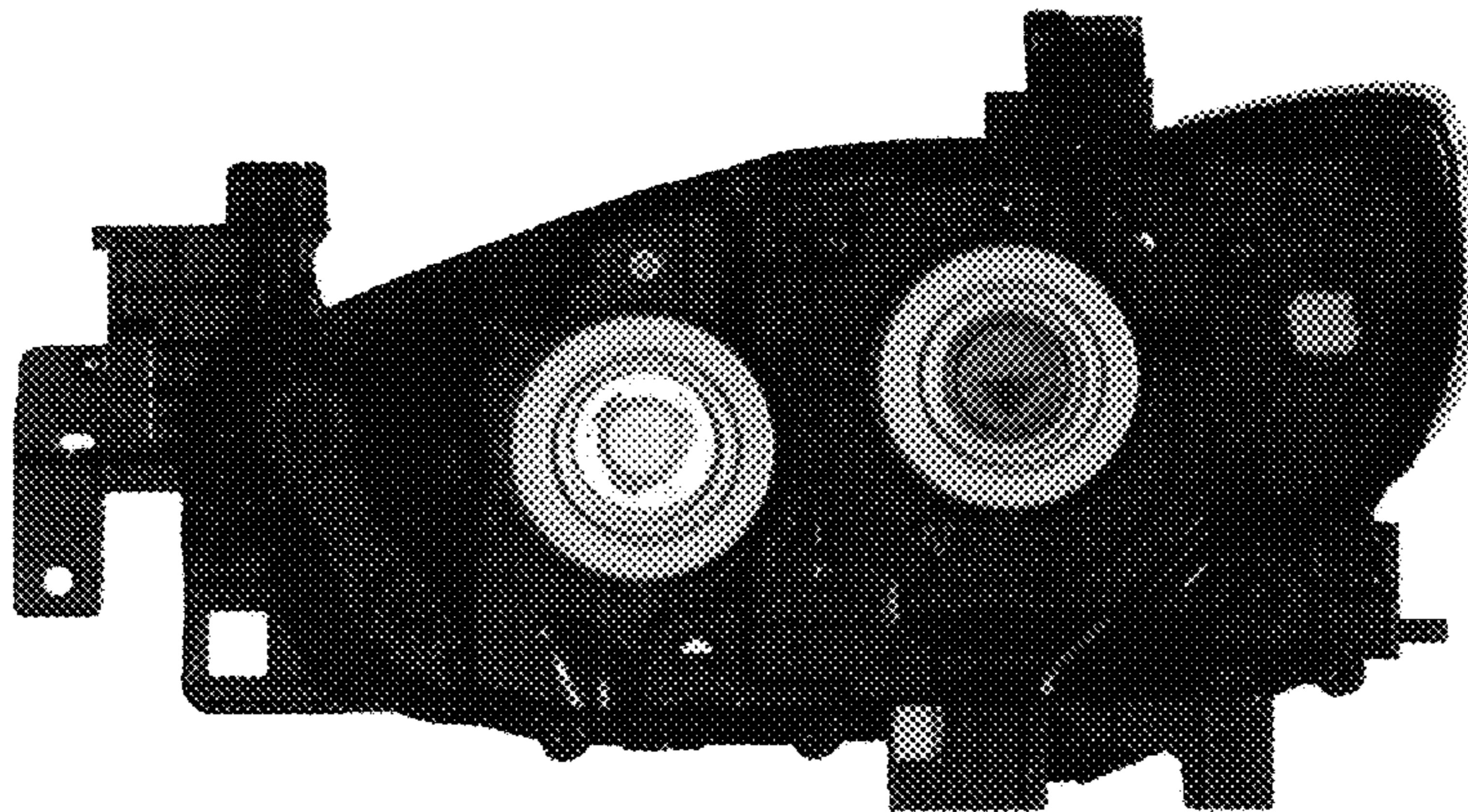


FIG.4

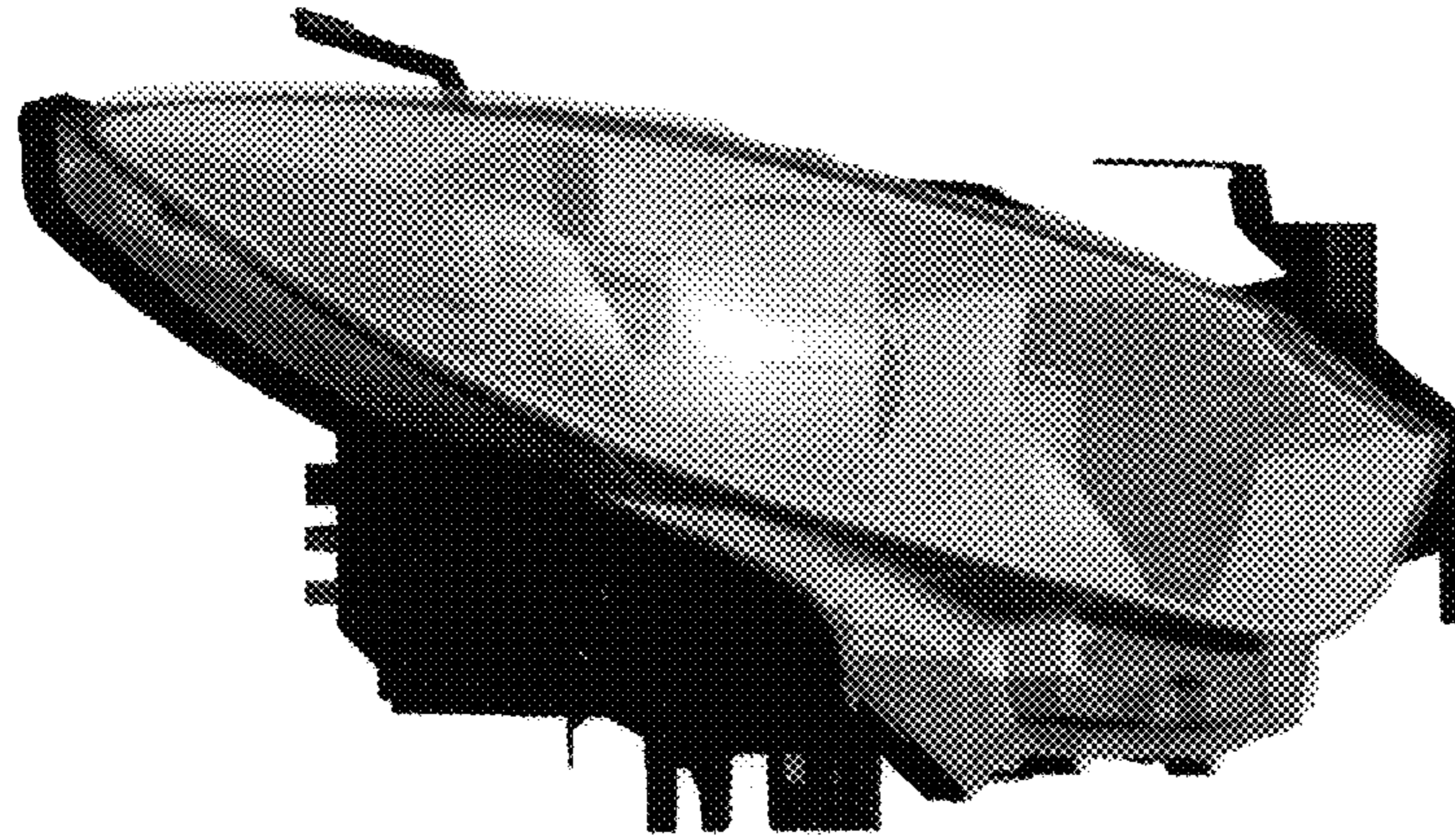


FIG. 5

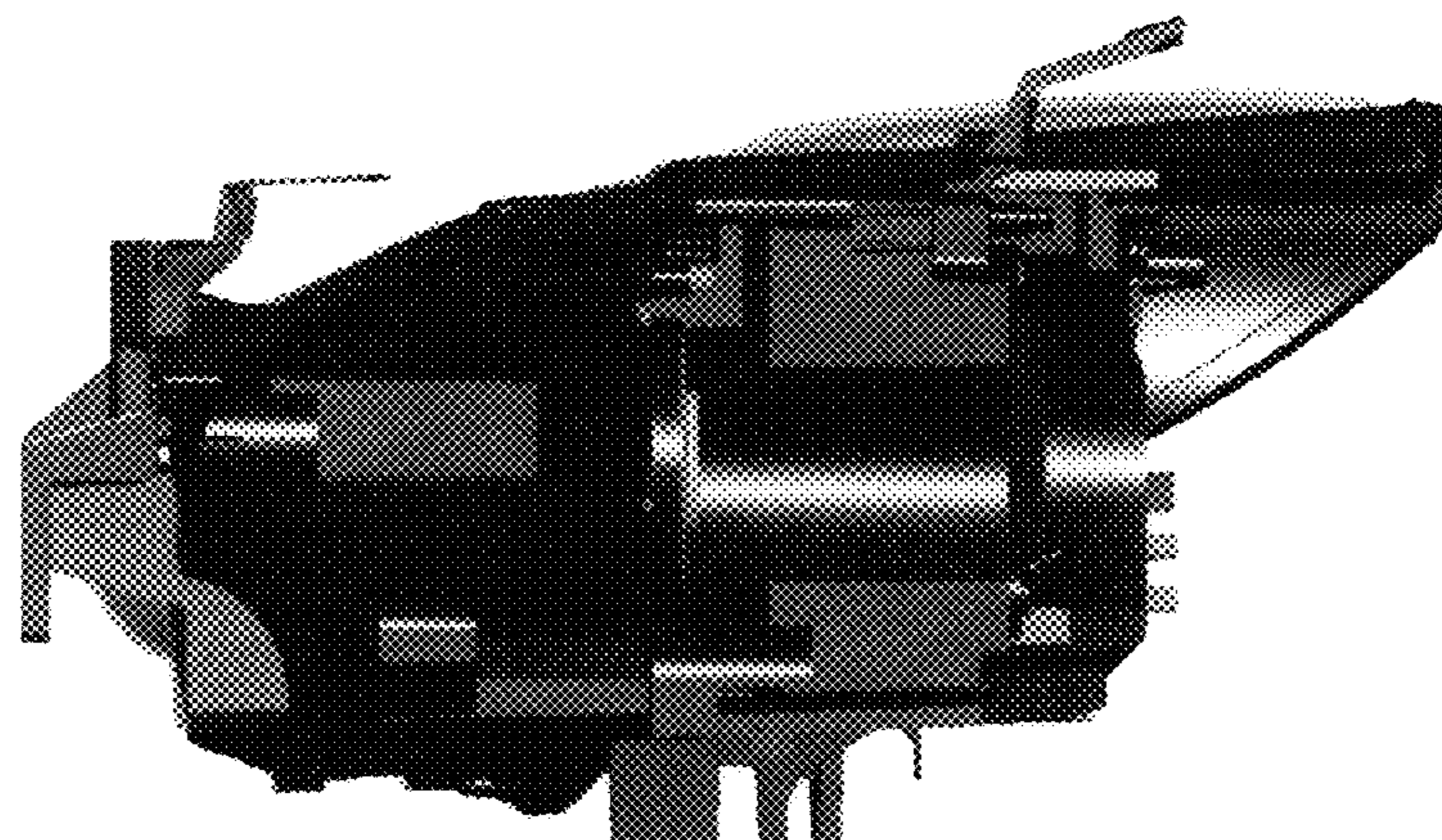


FIG. 6

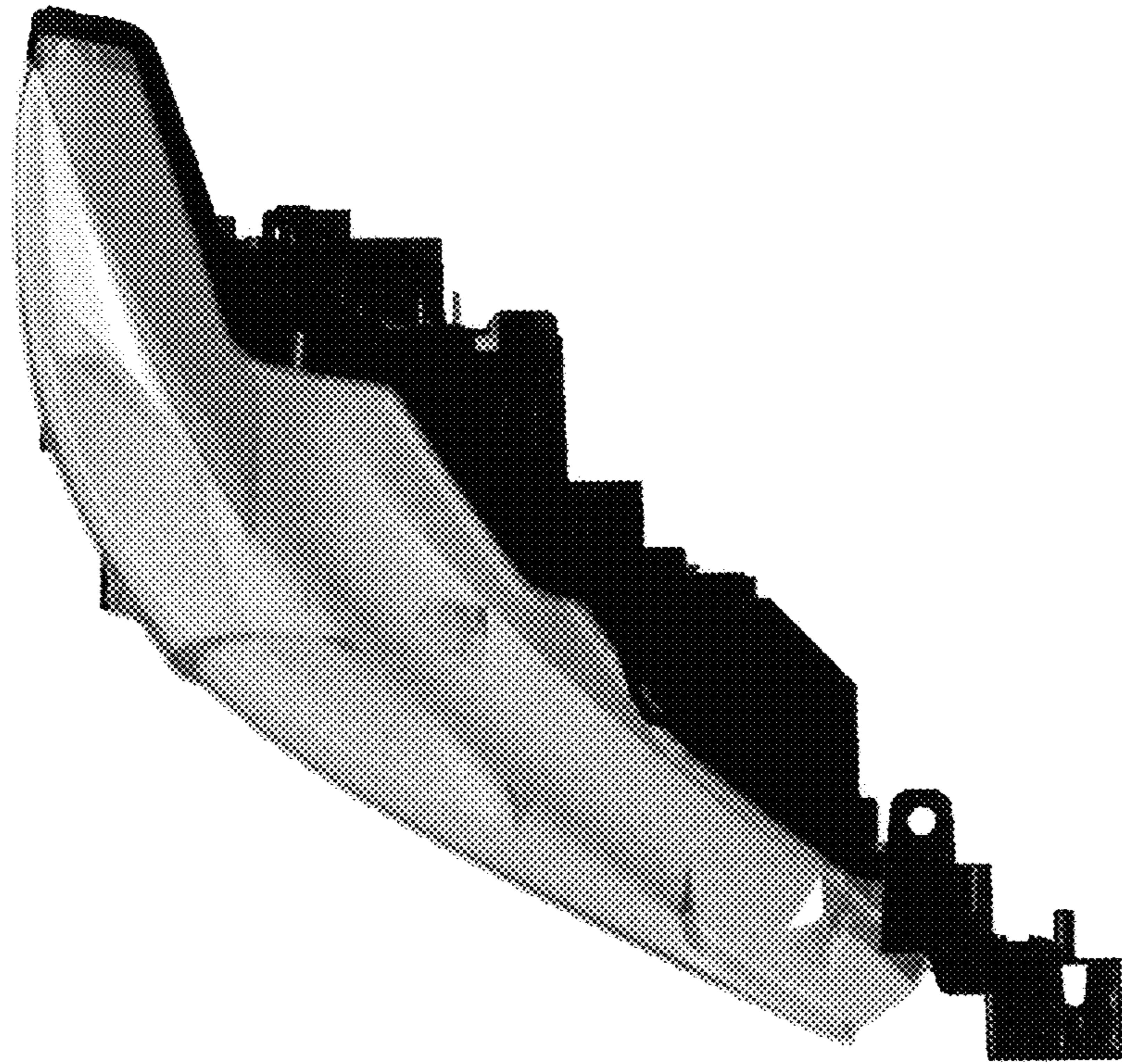


FIG.7

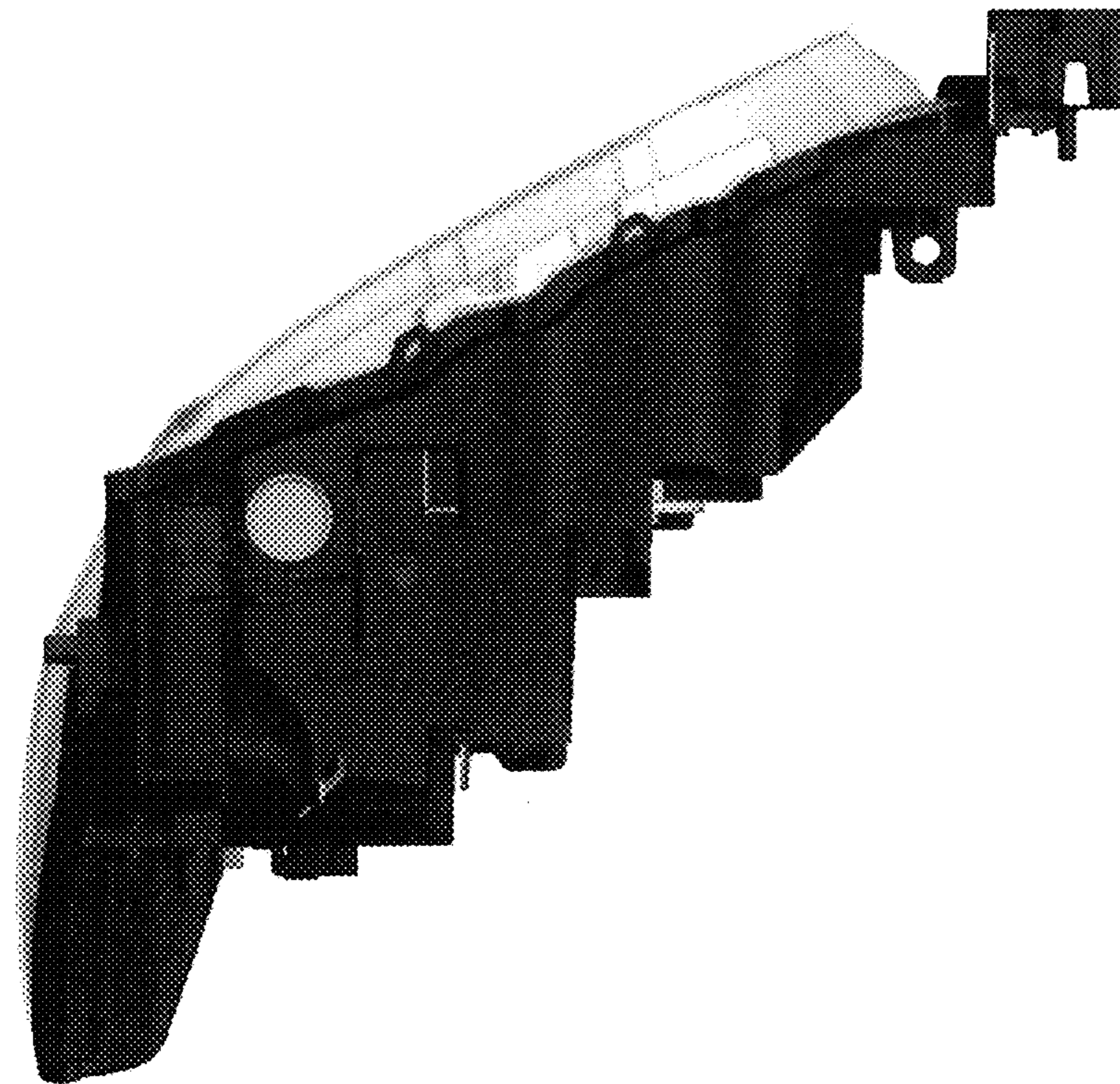


FIG.8