



US00D708365S

(12) **United States Design Patent**  
**Platto et al.**

(10) **Patent No.:** **US D708,365 S**

(45) **Date of Patent:** **\*\* Jul. 1, 2014**

(54) **VEHICLE HEADLIGHT**

(75) Inventors: **Gordon M. Platto**, Troy, MI (US);  
**Bruce P. Williams**, Grosse Pointe Park,  
MI (US)

(73) Assignee: **Ford Motor Company**, Dearborn, MI  
(US)

(\*\*) Term: **14 Years**

(21) Appl. No.: **29/415,182**

(22) Filed: **Mar. 8, 2012**

(51) **LOC (10) Cl.** ..... **26-06**

(52) **U.S. Cl.**  
USPC ..... **D26/28**

(58) **Field of Classification Search**  
USPC ..... D26/28-36; 362/459-468, 475-478,  
362/485-487  
See application file for complete search history.

(56) **References Cited**

**U.S. PATENT DOCUMENTS**

D538,956 S \* 3/2007 Ishii ..... D26/28  
D544,614 S \* 6/2007 Markefka ..... D26/28  
D547,472 S 7/2007 Tant et al.

D561,358 S \* 2/2008 Tachibana ..... D26/28  
D570,007 S \* 5/2008 Hsu ..... D26/28  
D582,587 S \* 12/2008 Yang ..... D26/28  
D593,232 S \* 5/2009 Koman et al. .... D26/28  
D635,694 S \* 4/2011 Yang et al. .... D26/28

\* cited by examiner

*Primary Examiner* — Marcus Jackson

(74) *Attorney, Agent, or Firm* — Damian Porcari

(57) **CLAIM**

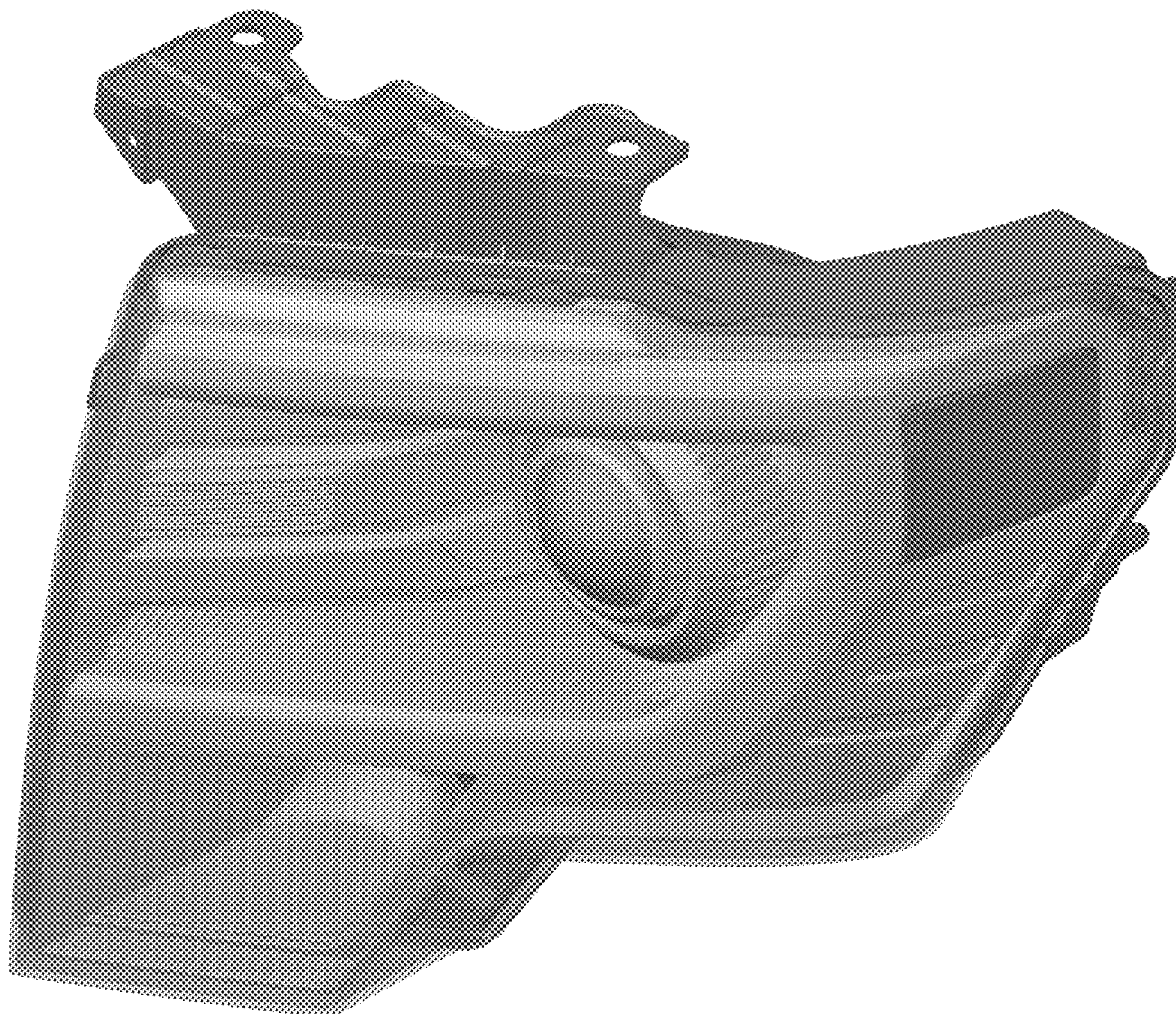
The ornamental design for a vehicle headlight, as shown and described.

**DESCRIPTION**

FIG. 1 is a left side elevational view of a left vehicle headlight (the right vehicle headlight being a mirror image and is not shown);

FIG. 2 is a right side elevational view of the vehicle headlight; FIG. 3 is a front elevational view of the vehicle headlight; FIG. 4 is a top plan view of the vehicle headlight; FIG. 5 is a bottom plan view of the vehicle headlight; FIG. 6 is a perspective view of the vehicle headlight; and, FIG. 7 is another perspective view of the vehicle headlight.

**1 Claim, 7 Drawing Sheets**





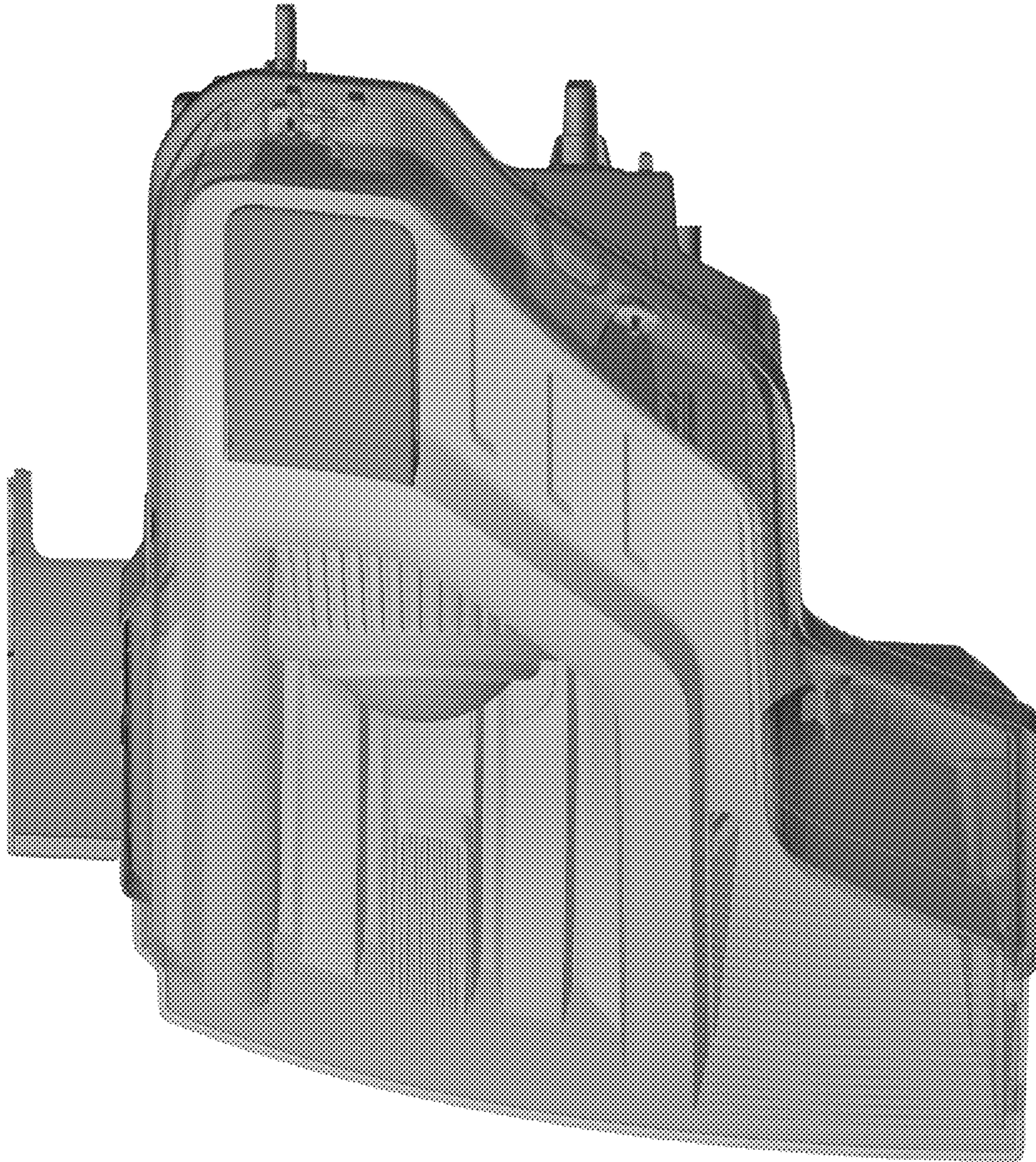


Figure 1



Figure 2

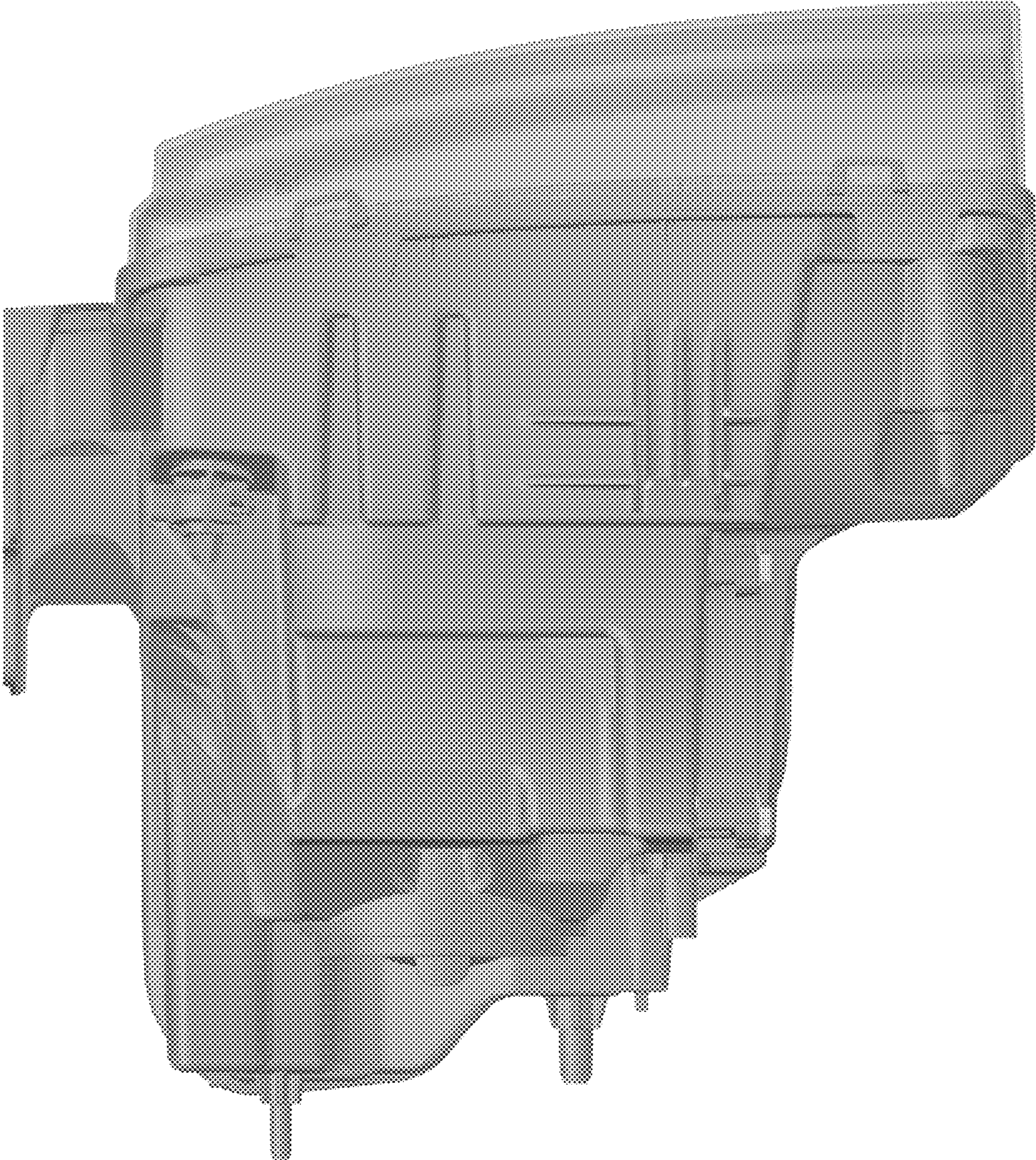




Figure 3

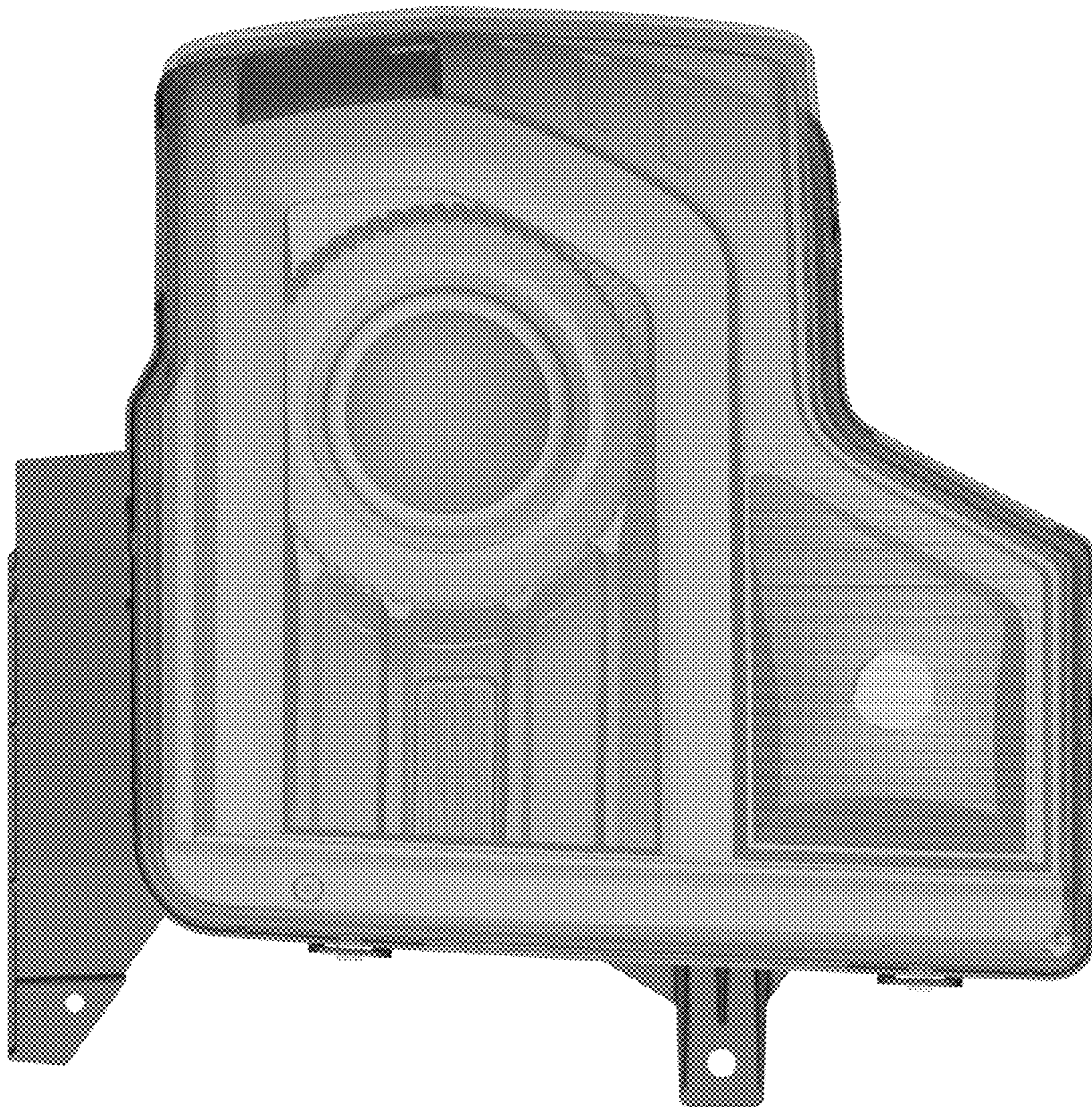




Figure 4

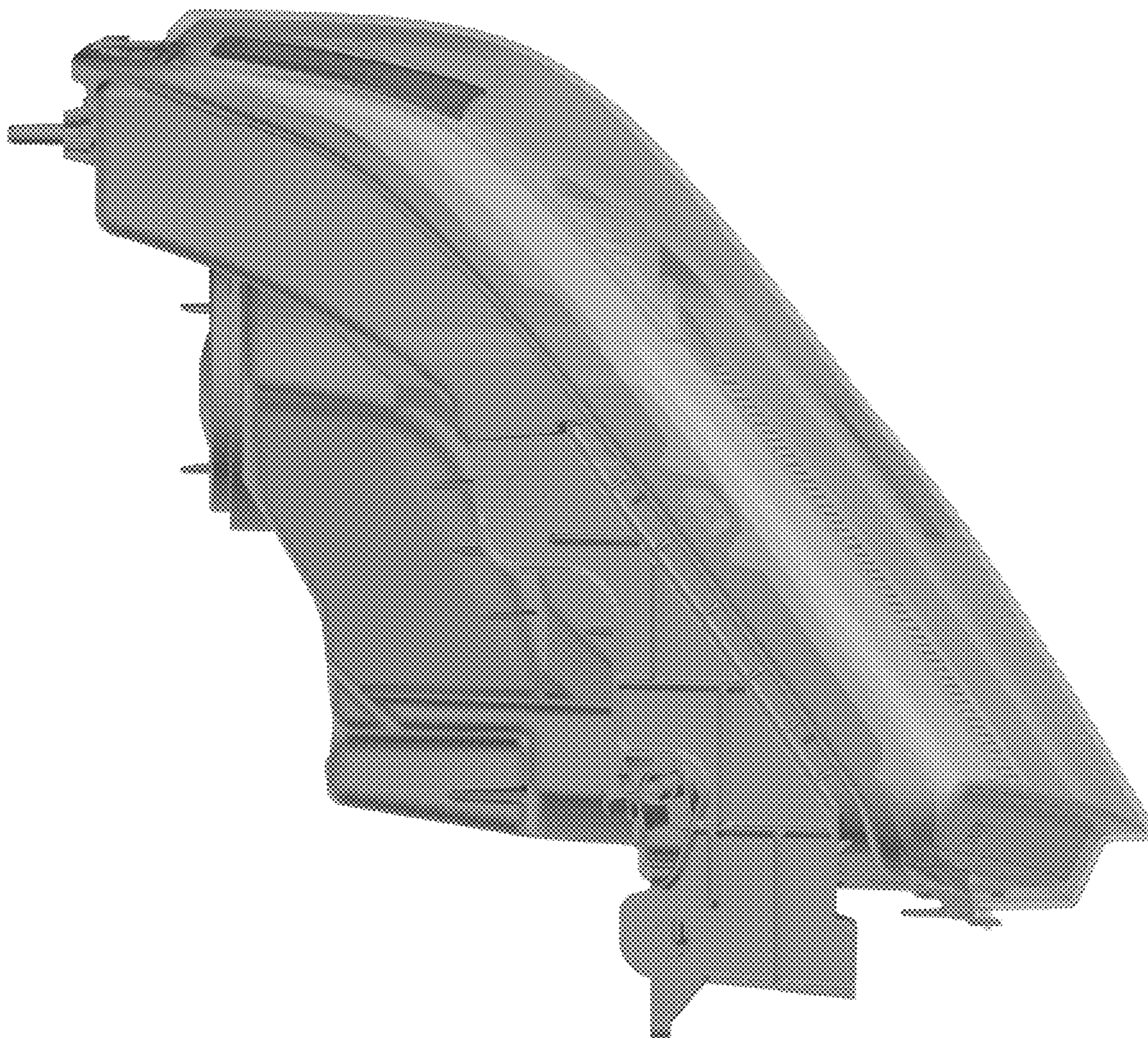
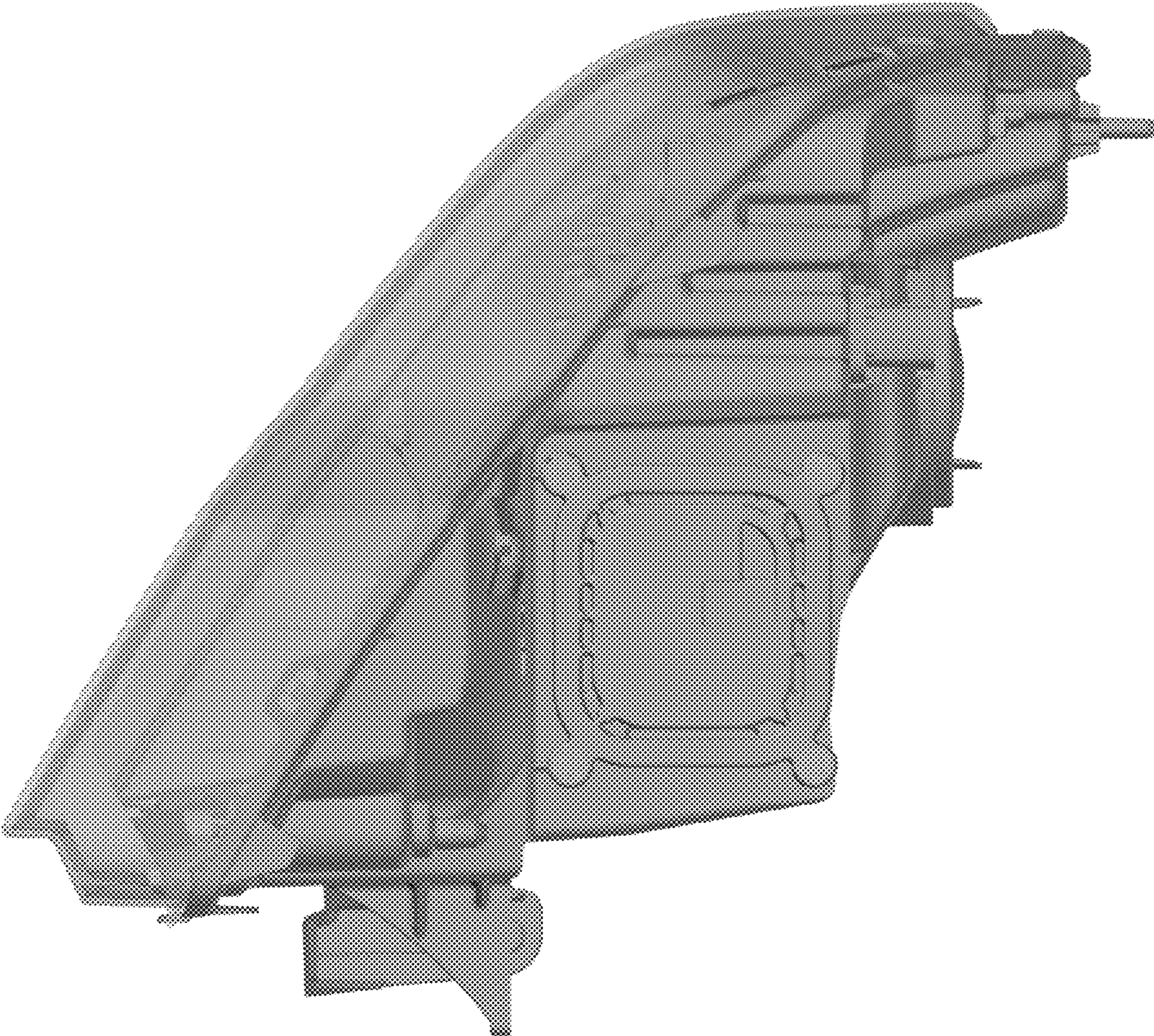




Figure 5





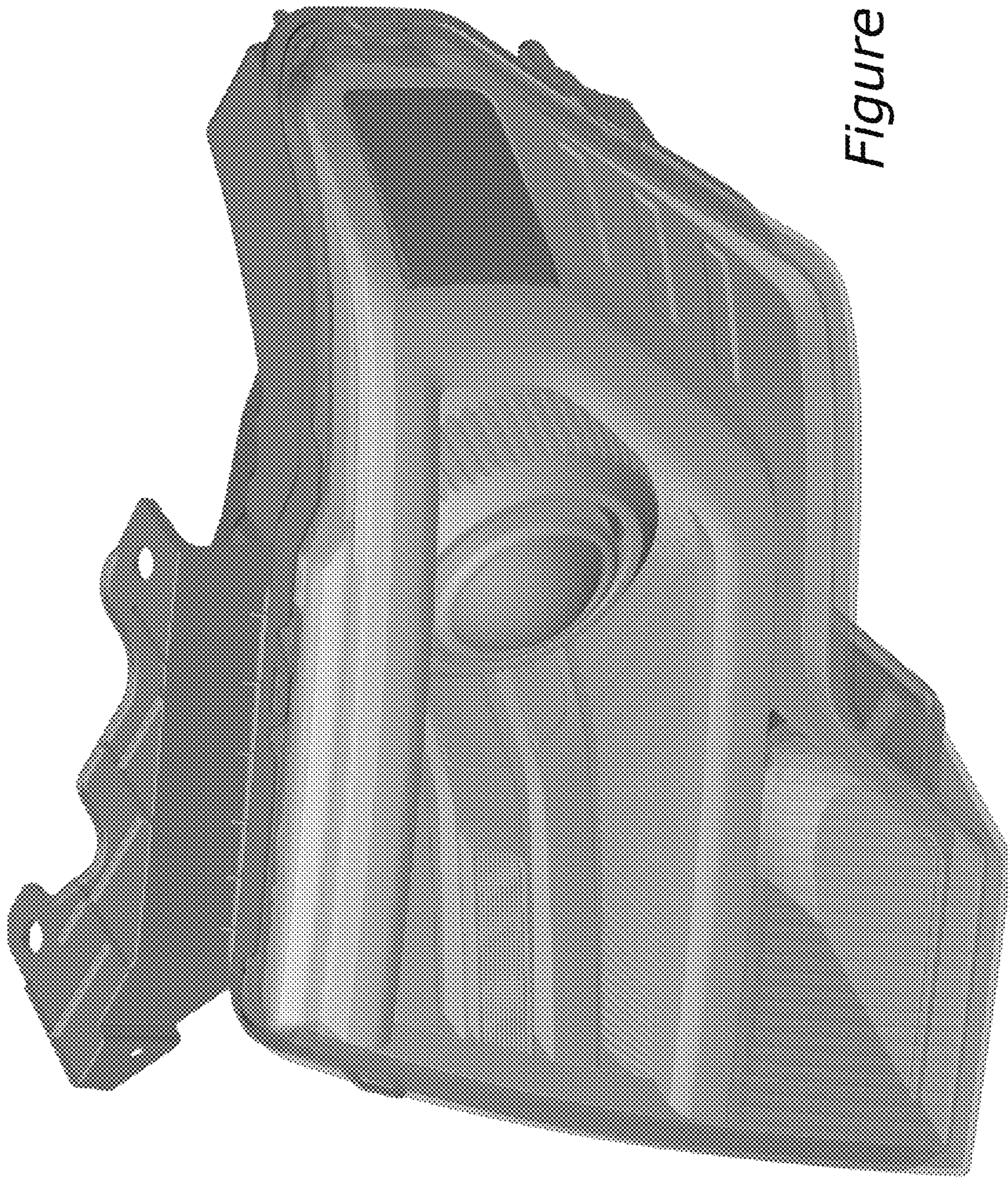


Figure 6



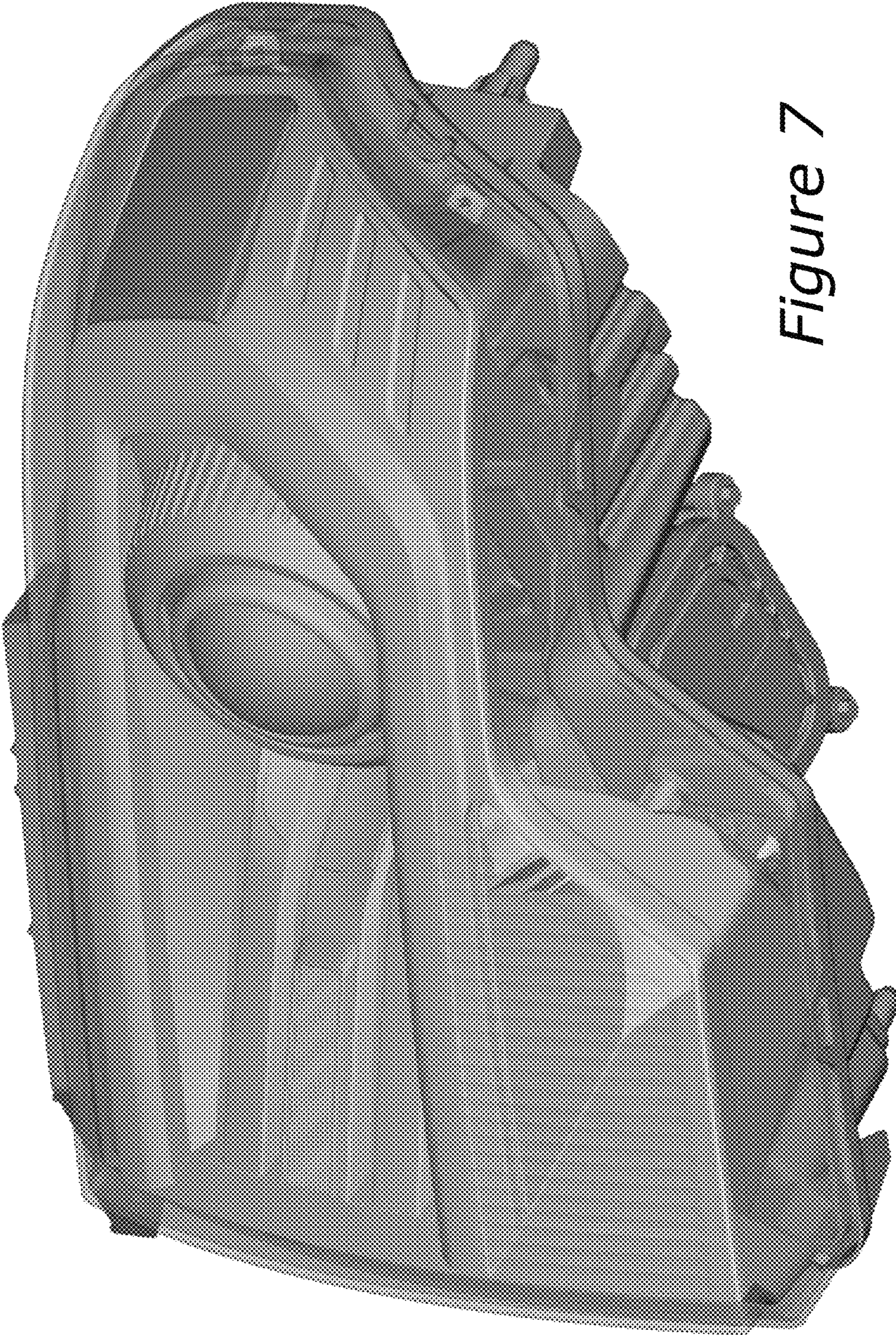


Figure 7