



US00D708359S

(12) **United States Design Patent**  
**Picard et al.**

(10) **Patent No.:** **US D708,359 S**  
(45) **Date of Patent:** **\*\* Jul. 1, 2014**

(54) **MODULAR PLUG**

(75) Inventors: **Richard R. Picard**, West Hartford, CT (US); **Phillip D. Prestigomo**, Simsbury, CT (US); **Taesuk Yang**, Wallingford, CT (US)

(73) Assignee: **The Wiremold Company**, West Hartford, CT (US)

(\*\*) Term: **14 Years**

(21) Appl. No.: **29/428,862**

(22) Filed: **Aug. 3, 2012**

(51) **LOC (10) Cl.** ..... **26-04**

(52) **U.S. Cl.**  
USPC ..... **D26/1**

(58) **Field of Classification Search**  
USPC ..... D13/180; D26/1-4, 26, 57, 72;  
362/641-650

See application file for complete search history.

(56) **References Cited**

**U.S. PATENT DOCUMENTS**

D259,514 S *	6/1981	Welch	.....	D26/26
D317,363 S *	6/1991	Welch	.....	D26/26
D375,808 S *	11/1996	Fang	.....	D26/26
D376,214 S *	12/1996	Pinchuk	.....	D26/26
D660,999 S *	5/2012	Welch	.....	D26/26

\* cited by examiner

*Primary Examiner* — Marcus Jackson

(74) *Attorney, Agent, or Firm* — McCormick, Paulding & Huber LLP

(57) **CLAIM**

The ornamental design for a modular plug, as shown and described.

**DESCRIPTION**

FIG. 1 is a front, top, right-hand side perspective view of a modular plug comprising a new, original and ornamental design;

FIG. 2 is a rear, top, left-hand side perspective view of a modular plug comprising the new, original and ornamental design;

FIG. 3 is a front view of a modular plug comprising the new, original and ornamental design;

FIG. 4 is a top view of a modular plug comprising the new, original and ornamental design;

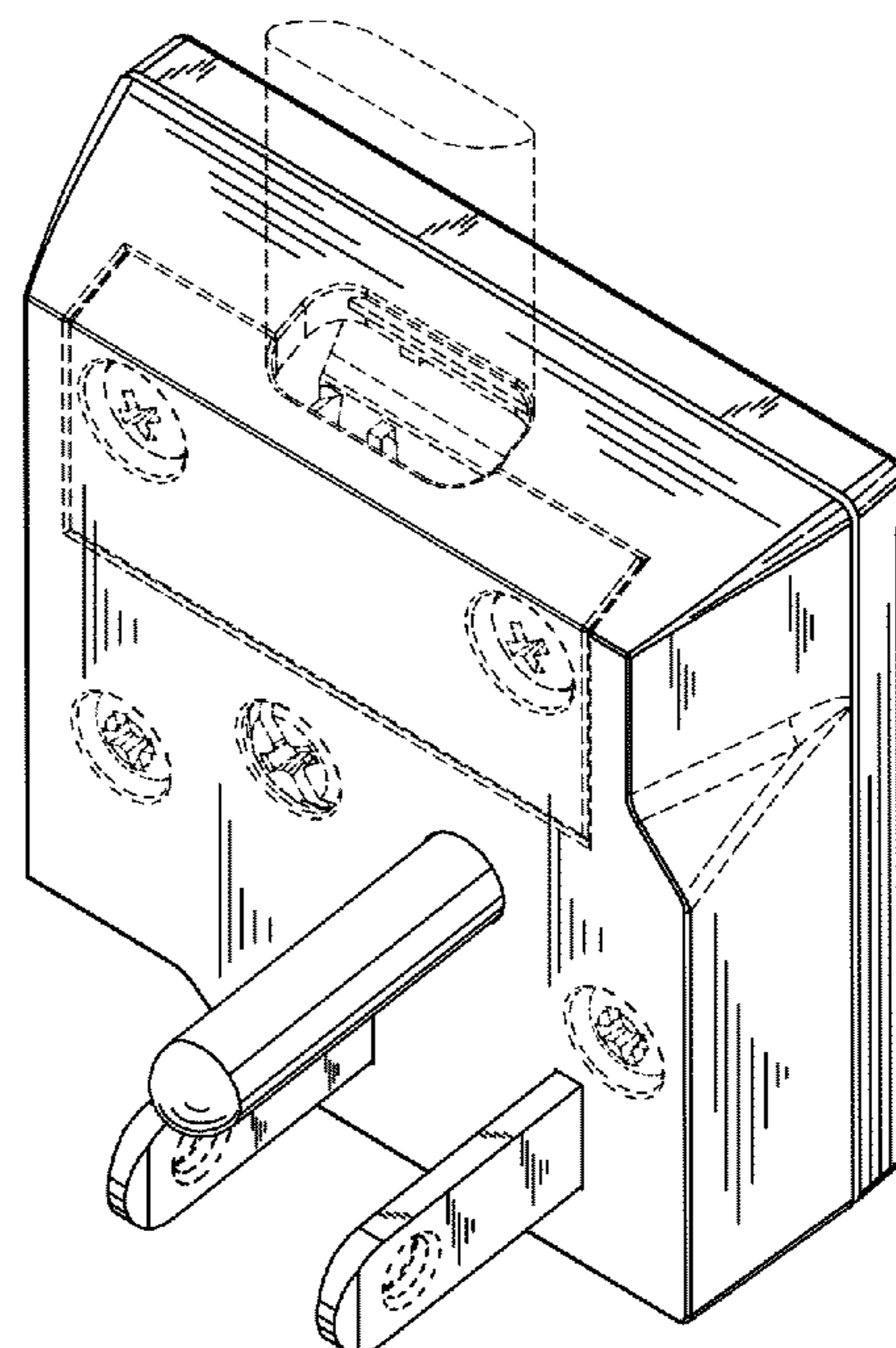
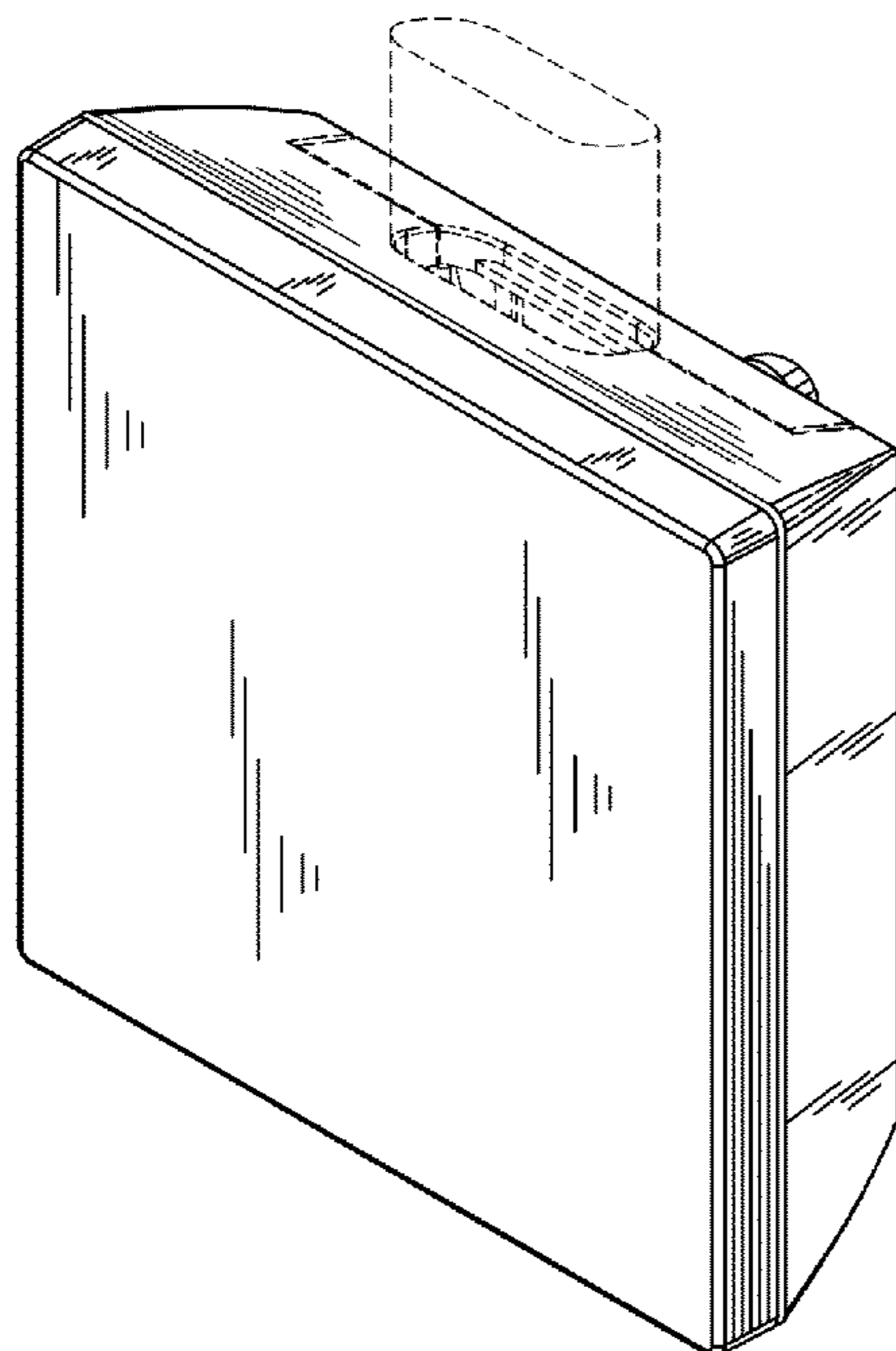
FIG. 5 is a bottom view of a modular plug comprising the new, original and ornamental design;

FIG. 6 is a left-hand side view of a modular plug comprising the new, original and ornamental design;

FIG. 7 is a right-hand side view of a modular plug comprising the new, original and ornamental design; and,

FIG. 8 is a rear view of a modular plug comprising the new, original and ornamental design.

**1 Claim, 7 Drawing Sheets**



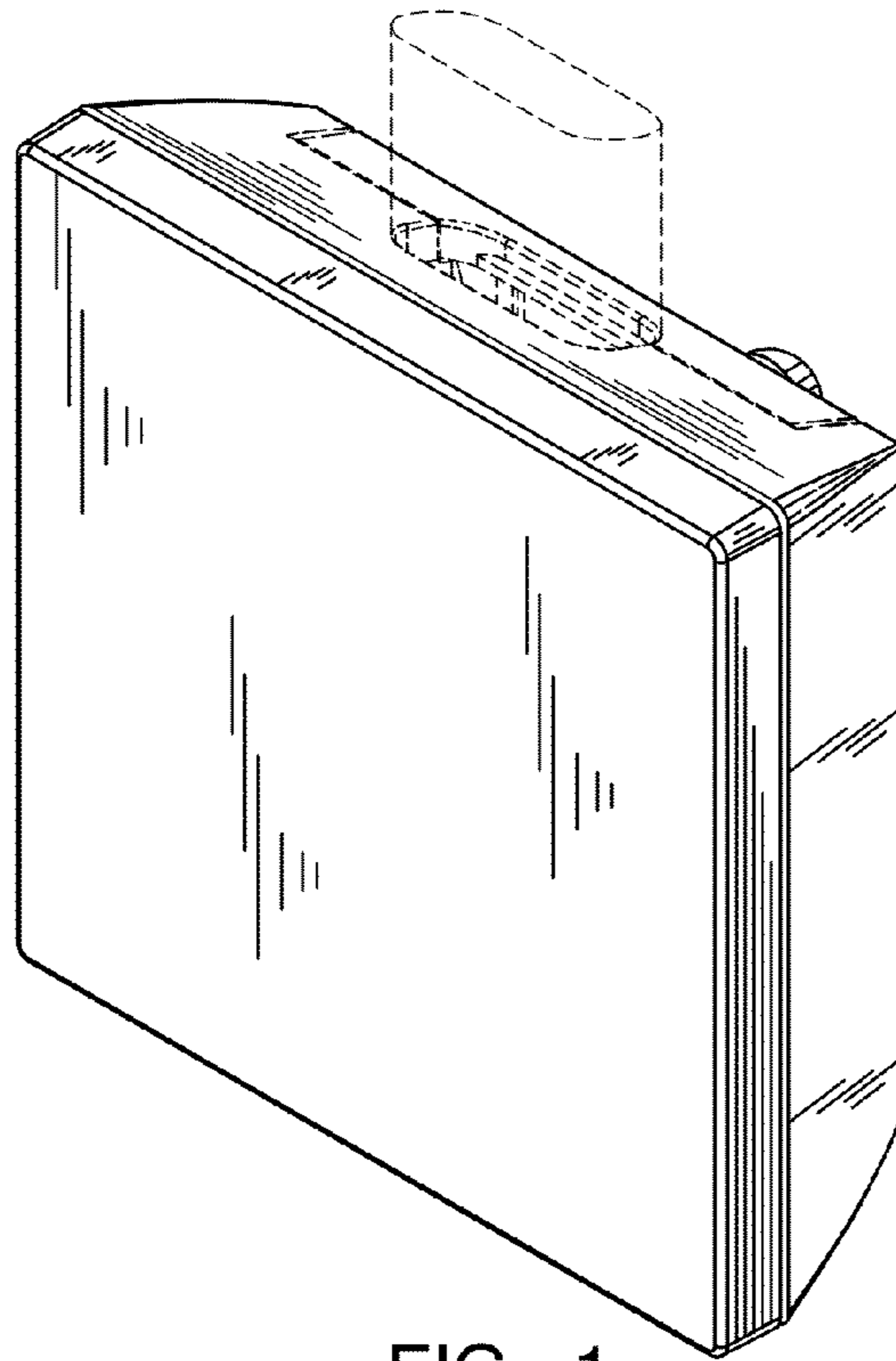


FIG. 1

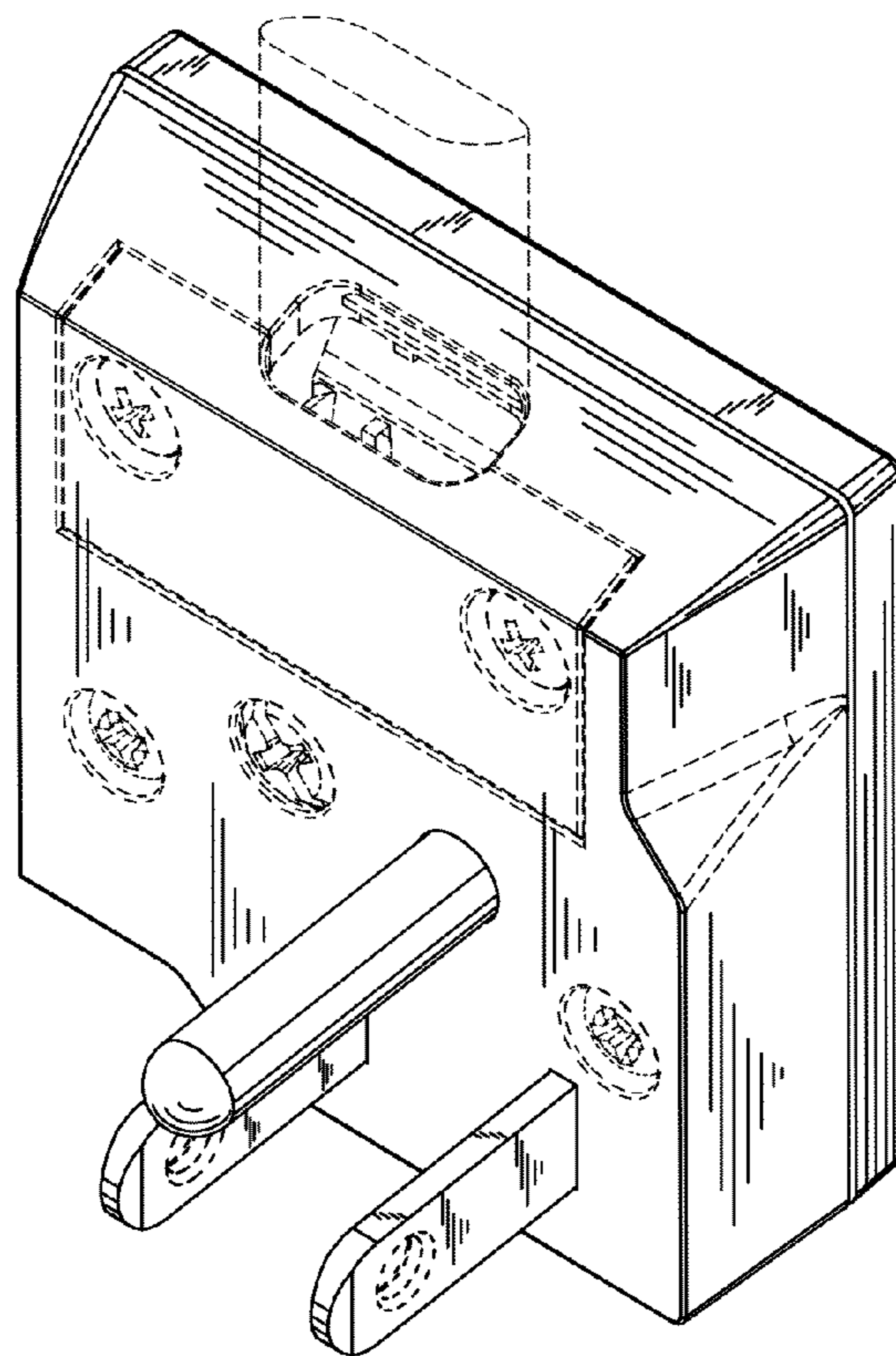


FIG. 2

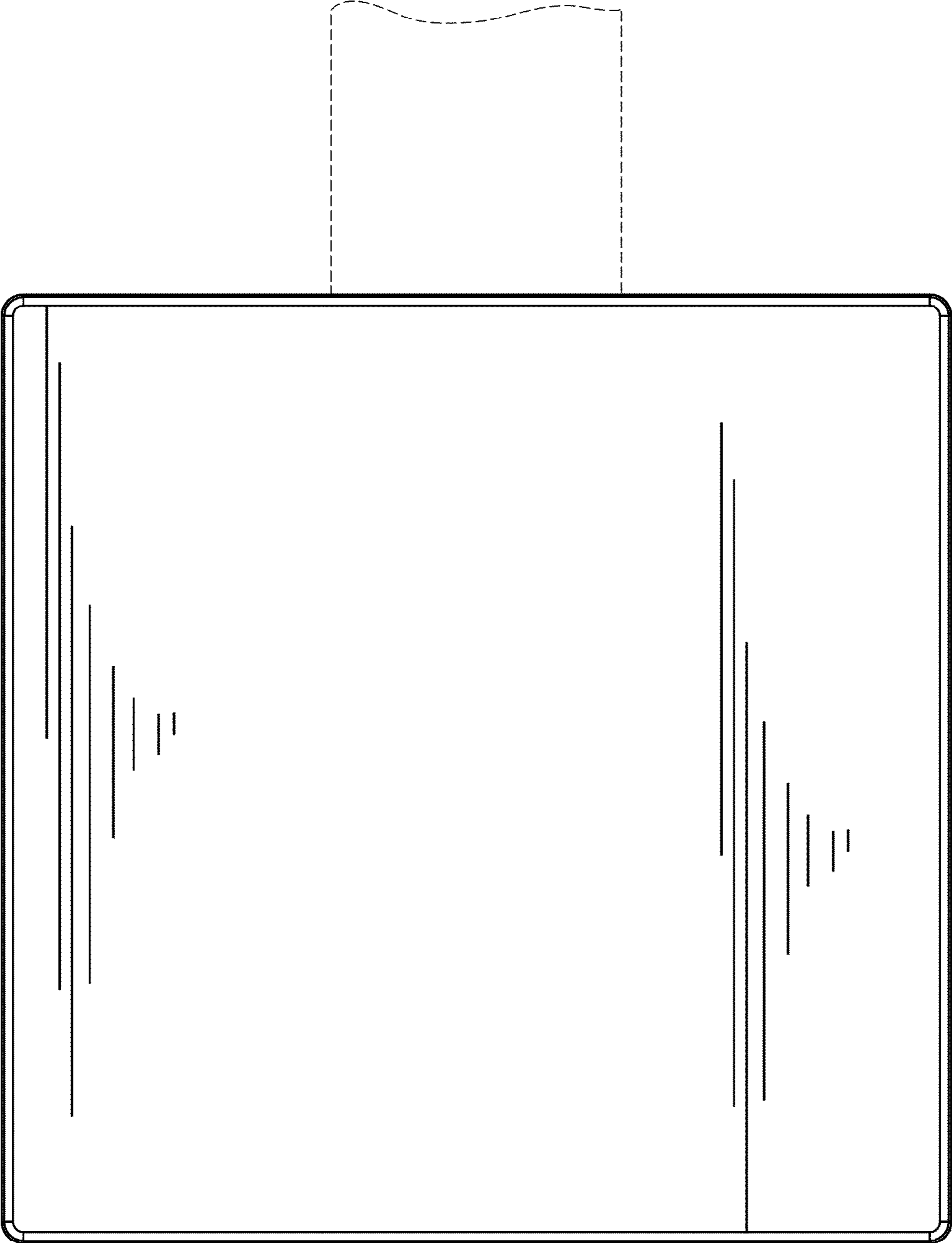


FIG. 3

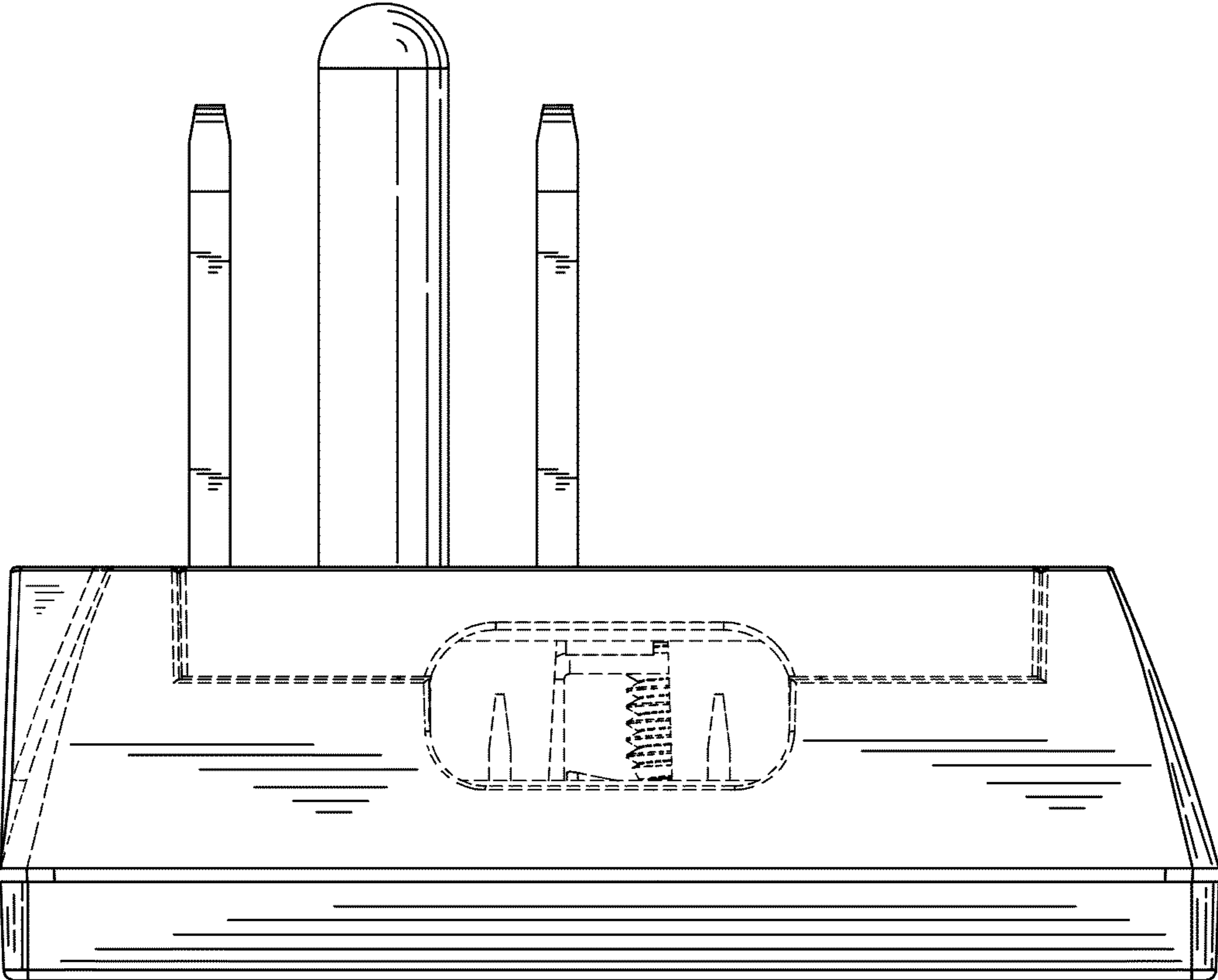


FIG. 4

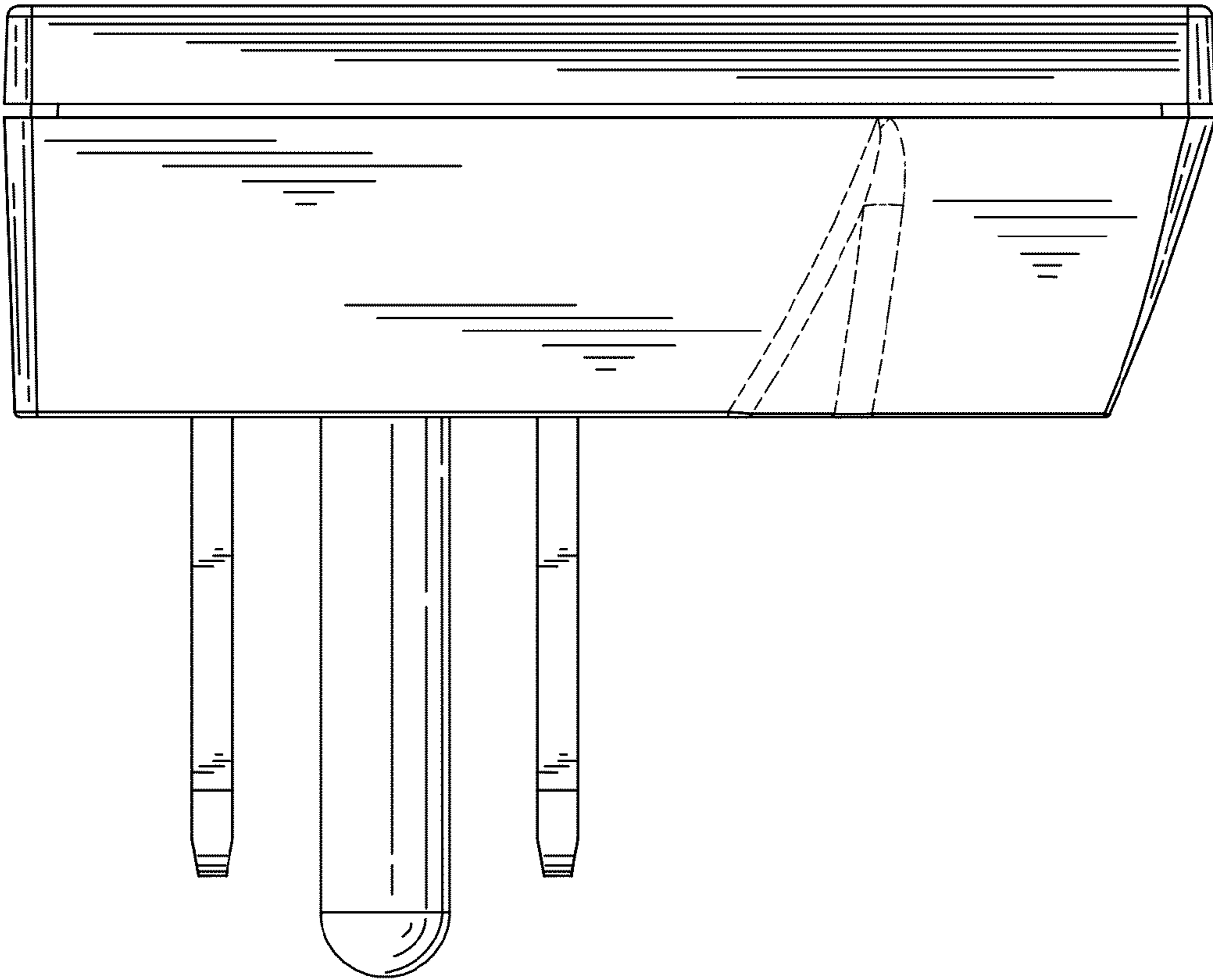


FIG. 5

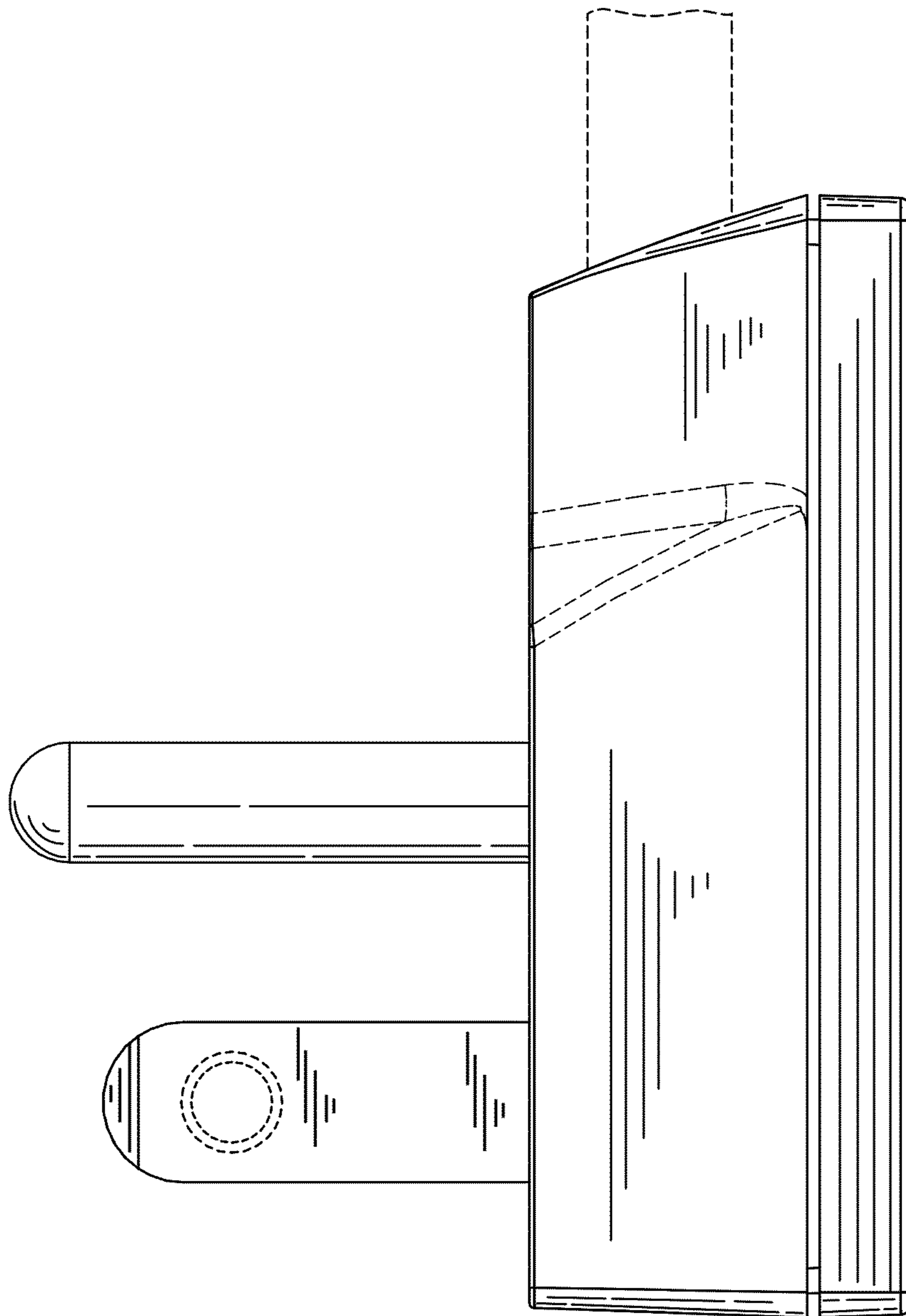


FIG. 6

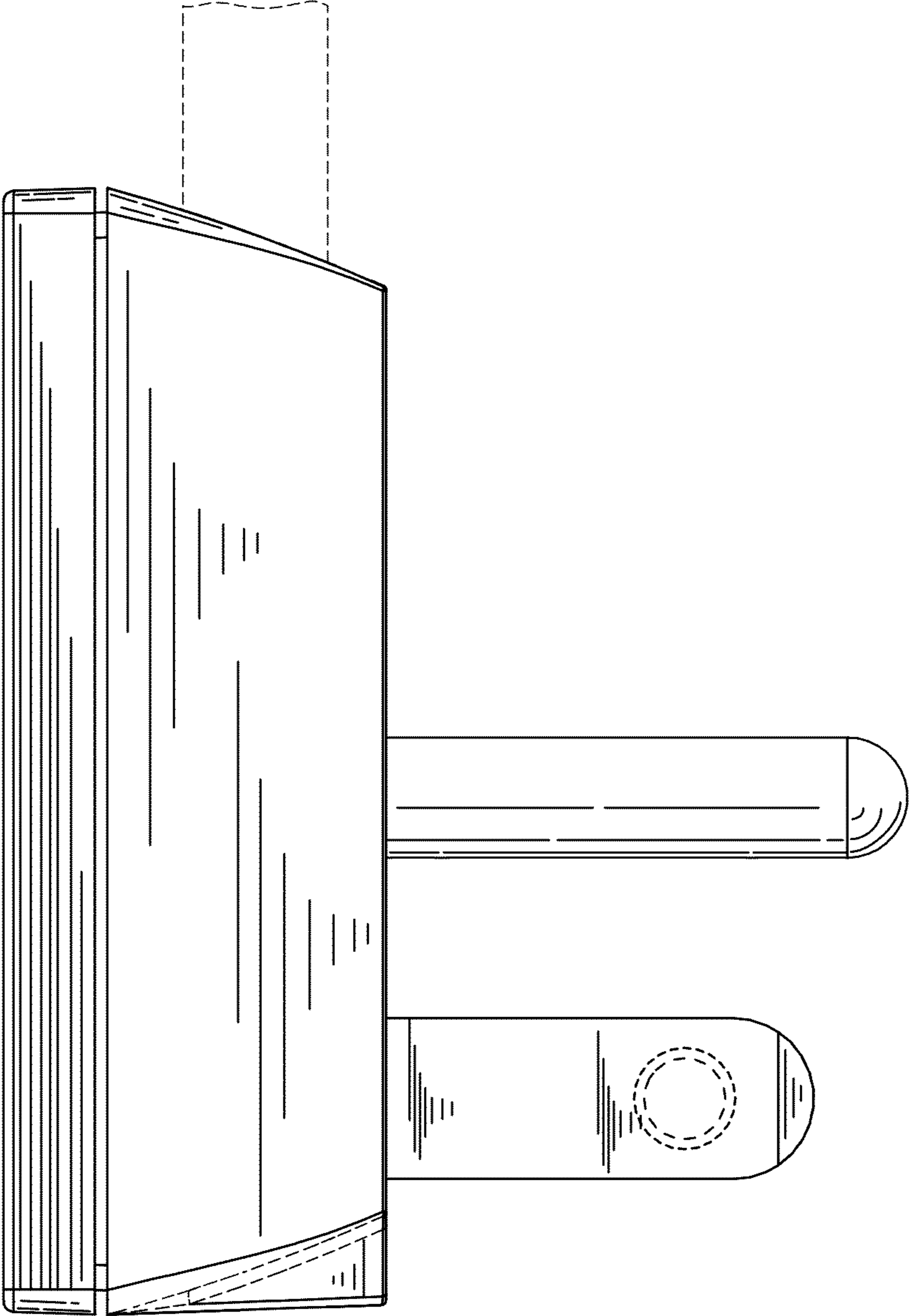


FIG. 7

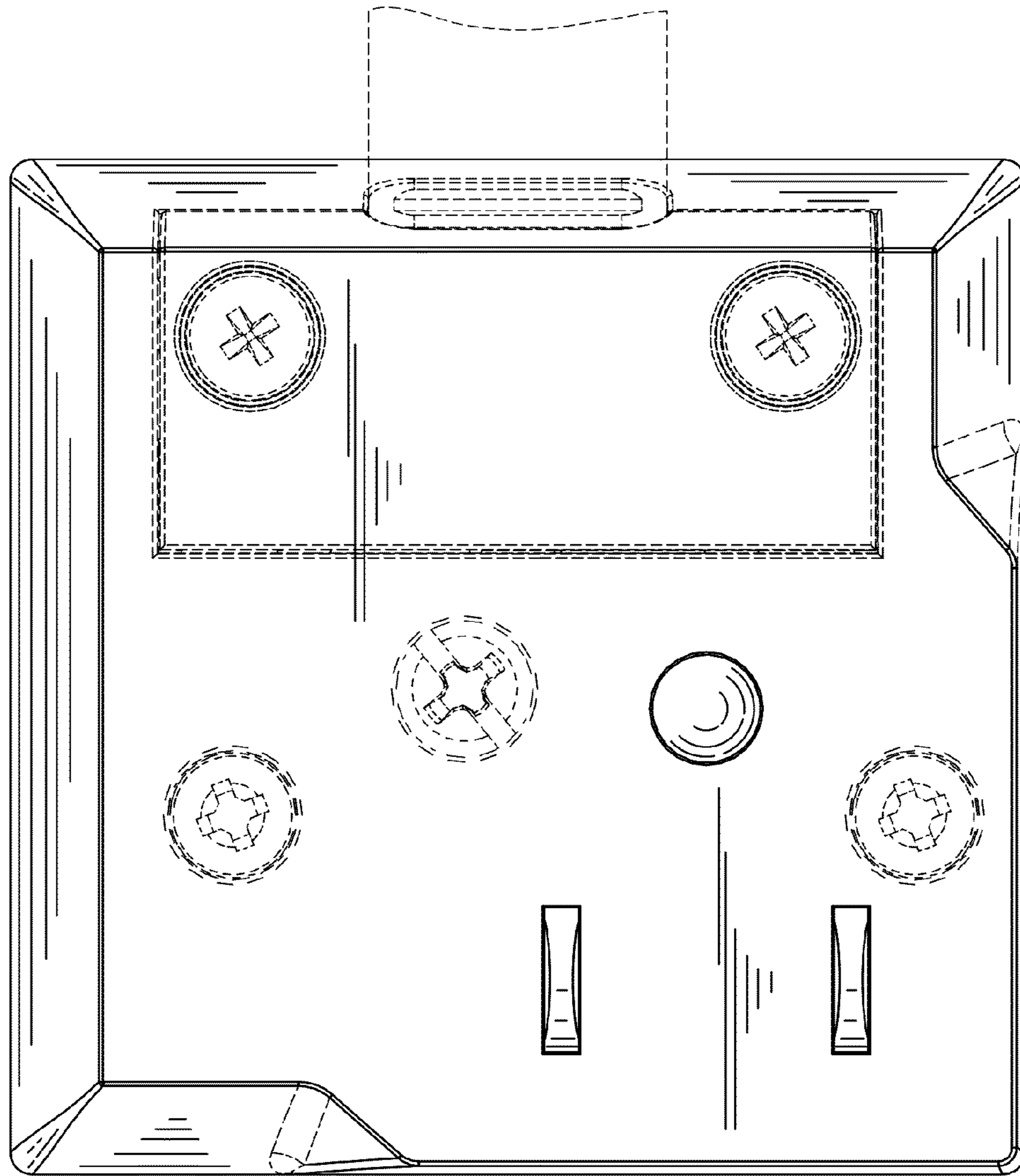


FIG. 8