



US00D708357S

(12) **United States Design Patent**
Brann

(10) **Patent No.:** **US D708,357 S**
(45) **Date of Patent:** **** Jul. 1, 2014**

(54) **POST FOR GUARDRAIL**

(71) Applicant: **Lukas Brann**, Innisfail (CA)

(72) Inventor: **Lukas Brann**, Innisfail (CA)

(**) Term: **14 Years**

(21) Appl. No.: **29/438,448**

(22) Filed: **Nov. 29, 2012**

(51) **LOC (10) Cl.** **25-01**

(52) **U.S. Cl.**
USPC **D25/126**

(58) **Field of Classification Search**
USPC D25/126, 128, 131; 182/45; 404/6;
256/65.02, 65.04, 65.06, 65.11
See application file for complete search history.

(56) **References Cited**

U.S. PATENT DOCUMENTS

2,329,415	A *	9/1943	Osborne	248/237
3,084,759	A *	4/1963	Squire	182/113
4,255,913	A *	3/1981	Poma	52/297
D484,617	S *	12/2003	Micheals	D25/131

* cited by examiner

Primary Examiner — Doris Clark

(74) *Attorney, Agent, or Firm* — Sander R. Gelsing

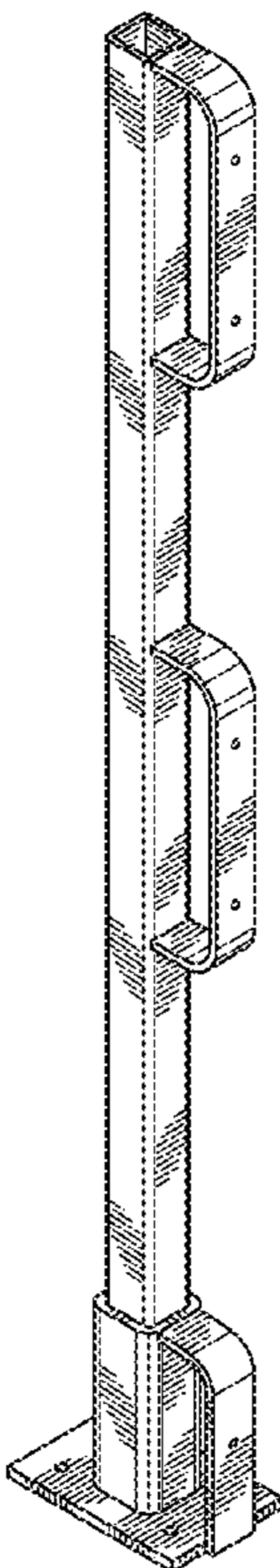
(57) **CLAIM**

The ornamental design for a post for guardrail, as shown and described.

DESCRIPTION

FIG. 1 is a perspective view of the first embodiment of the post for guardrail;
 FIG. 2 is a front view of the first embodiment of the post for guardrail;
 FIG. 3 is a rear view of the first embodiment of the post for guardrail;
 FIG. 4 is a left side view of the first embodiment of the post for guardrail, the mirror image being the right side view;
 FIG. 5 is a top view of the first embodiment of the post for guardrail;
 FIG. 6 is a bottom view of the first embodiment of the post for guardrail;
 FIG. 7 is an perspective view of the first embodiment of the post for guardrail in its unassembled state;
 FIG. 8 is a perspective view of the second embodiment of the post for guardrail;
 FIG. 9 is a front view of the second embodiment of the post for guardrail;
 FIG. 10 is a rear view of the second embodiment of the post for guardrail;
 FIG. 11 is a left side view of the second embodiment of the post for guardrail, the mirror image being the right side view;
 FIG. 12 is a top view of the second embodiment of the post for guardrail; and,
 FIG. 13 is a bottom view of the second embodiment of the post for guardrail.

1 Claim, 4 Drawing Sheets



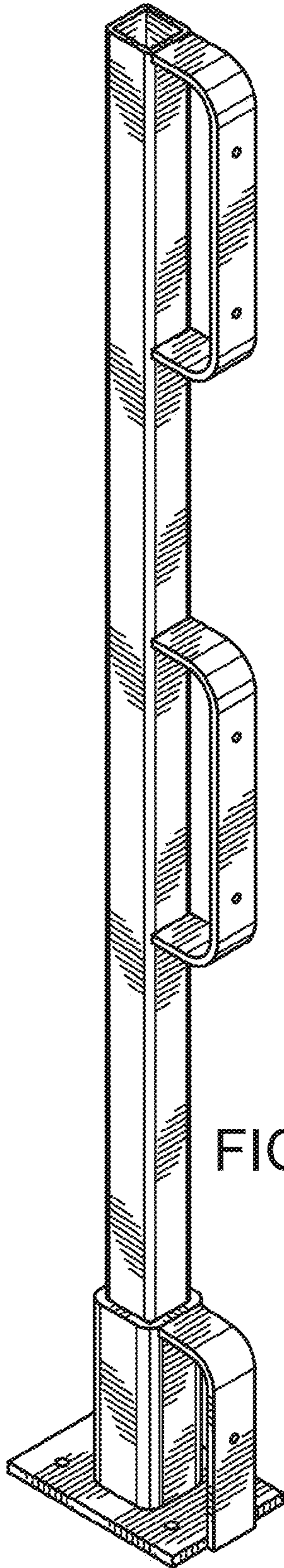


FIG. 1

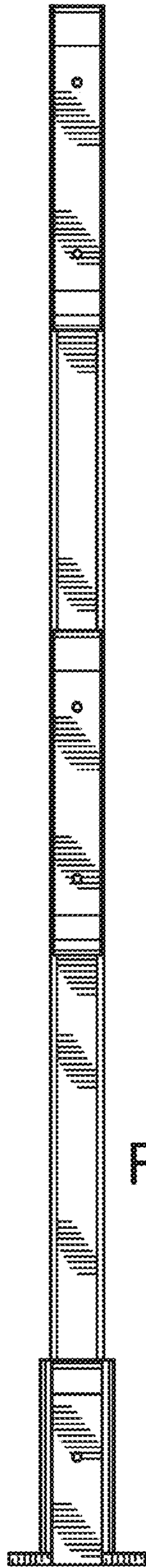


FIG. 2

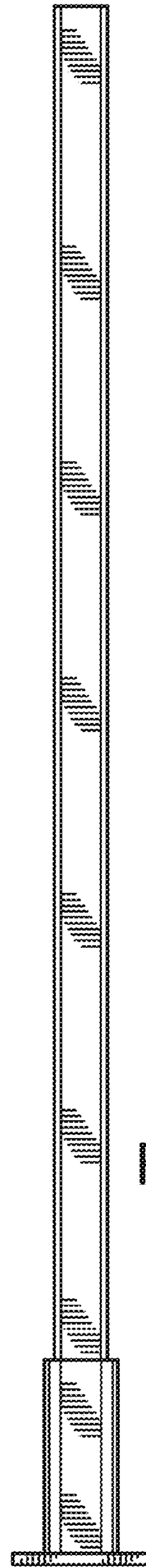


FIG. 3

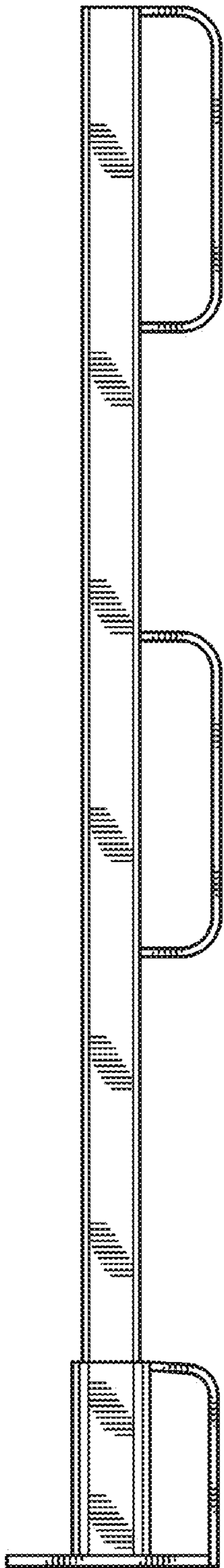


FIG. 4

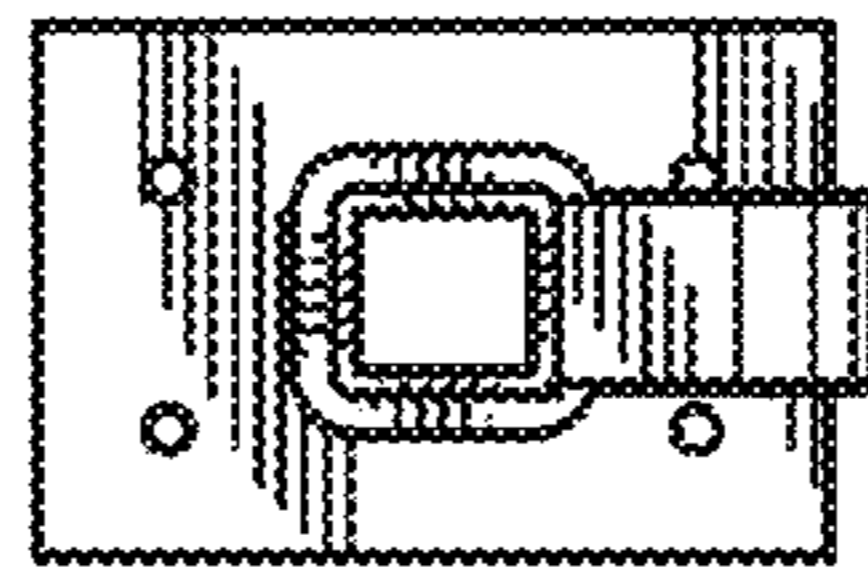


FIG. 5

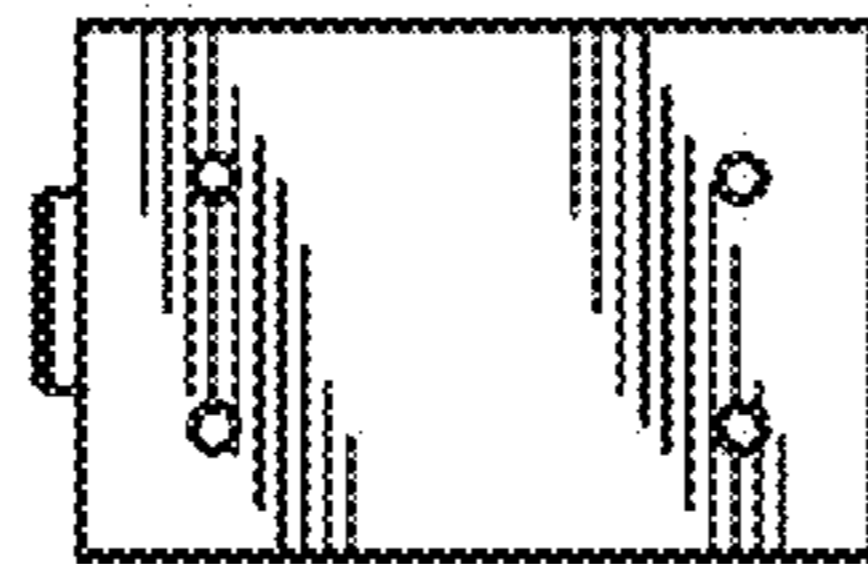


FIG. 6

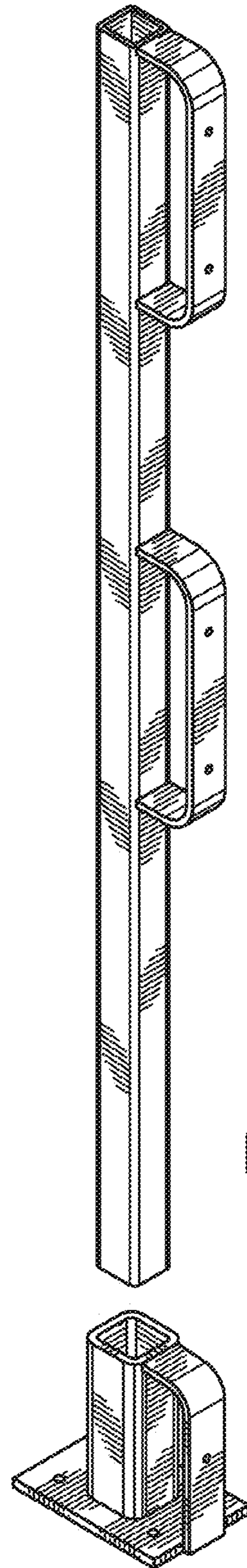


FIG. 7

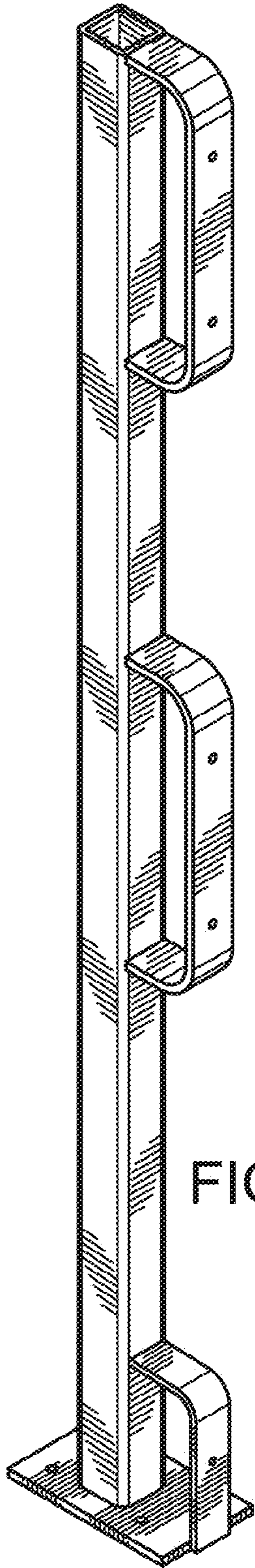


FIG. 8

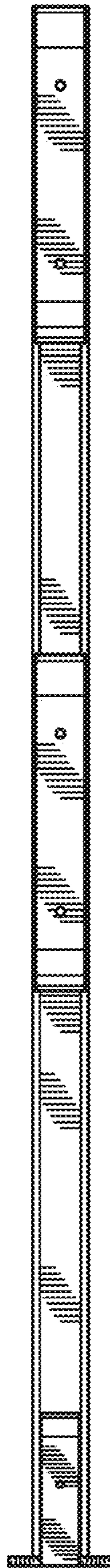


FIG. 9

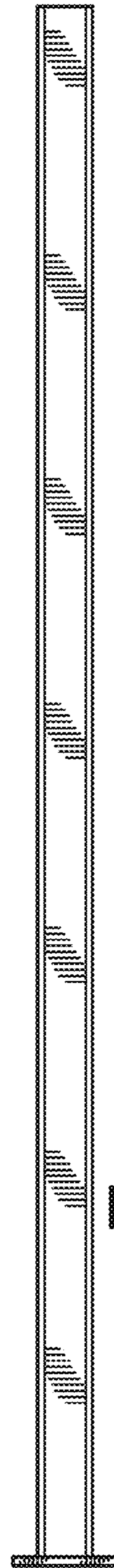


FIG. 10

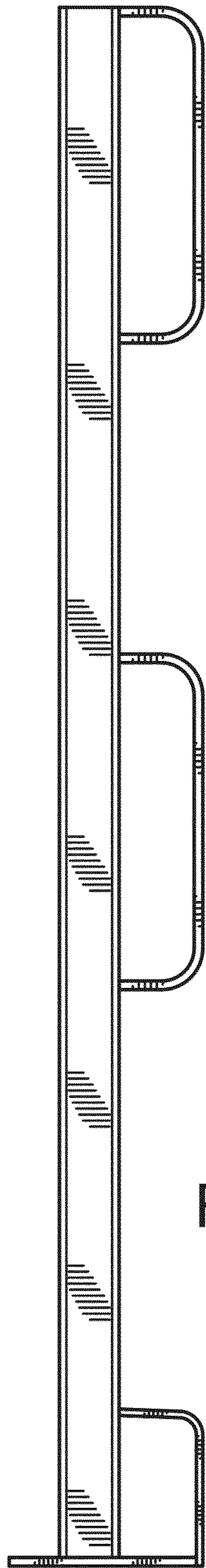


FIG. 11

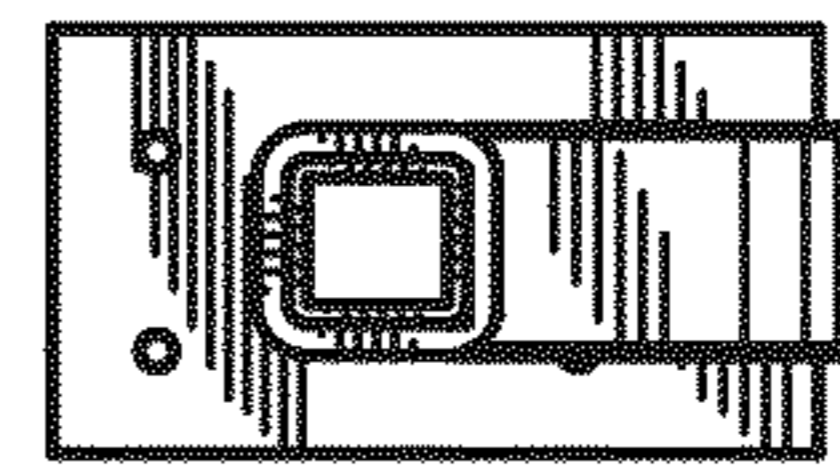


FIG. 12

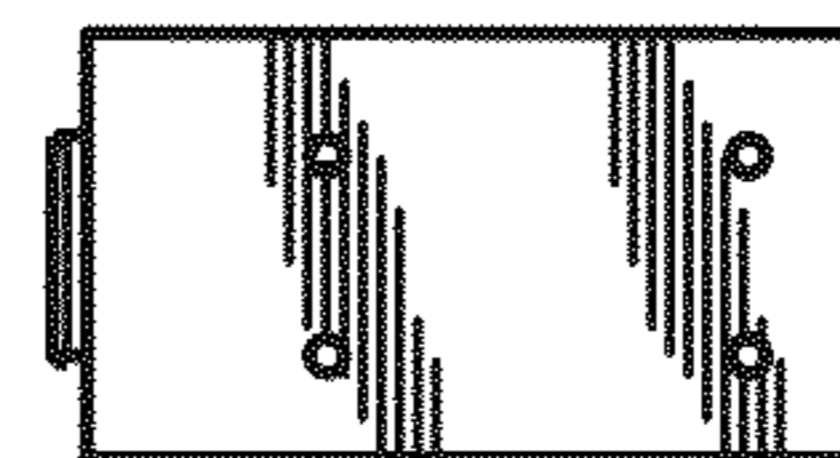


FIG. 13