



US00D708354S

(12) **United States Design Patent**
Weisbeck et al.

(10) **Patent No.:** **US D708,354 S**

(45) **Date of Patent:** **** Jul. 1, 2014**

(54) **GATE FOR A PLAY YARD**

(75) Inventors: **Dean Weisbeck**, Medina, MN (US);
Julie Ann Yager Grad, Deephaven, MN
(US); **Pall Anthony Piloni**, Minnetonica,
MN (US); **Jason Jon Ness**, Victoria, MN
(US); **Matthew George Goolet**,
Bloomington, MN (US); **Nicole Lee**
Parks, Minneapolis, MN (US)

(73) Assignee: **North States Industries, Inc.**, Blaine,
MN (US)

(**) Term: **14 Years**

(21) Appl. No.: **29/431,114**

(22) Filed: **Sep. 4, 2012**

(51) **LOC (10) Cl.** **25-01**

(52) **U.S. Cl.**
USPC **D25/124**

(58) **Field of Classification Search**
USPC D25/48.5; 256/25, 26
See application file for complete search history.

(56) **References Cited**

U.S. PATENT DOCUMENTS

3,021,116 A * 2/1962 Querengesser 256/72
5,544,870 A * 8/1996 Kelley et al. 256/26
D608,019 S * 1/2010 Arden D25/48.5

* cited by examiner

Primary Examiner — Doris Clark

(74) *Attorney, Agent, or Firm* — Merchant & Gould P.C.

(57) **CLAIM**

The ornamental design for a gate for a play yard, as shown and described.

DESCRIPTION

FIG. 1 is a front perspective view of a gate showing adjacent panels forming a play yard, for illustrative purposes only and form no part of the claimed design.

FIG. 2 is a back perspective view of FIG. 1.

FIG. 3 is a front perspective view of the gate of FIG. 1.

FIG. 4 is a front view of the gate of FIG. 3.

FIG. 5 is a top view of the gate of FIG. 3.

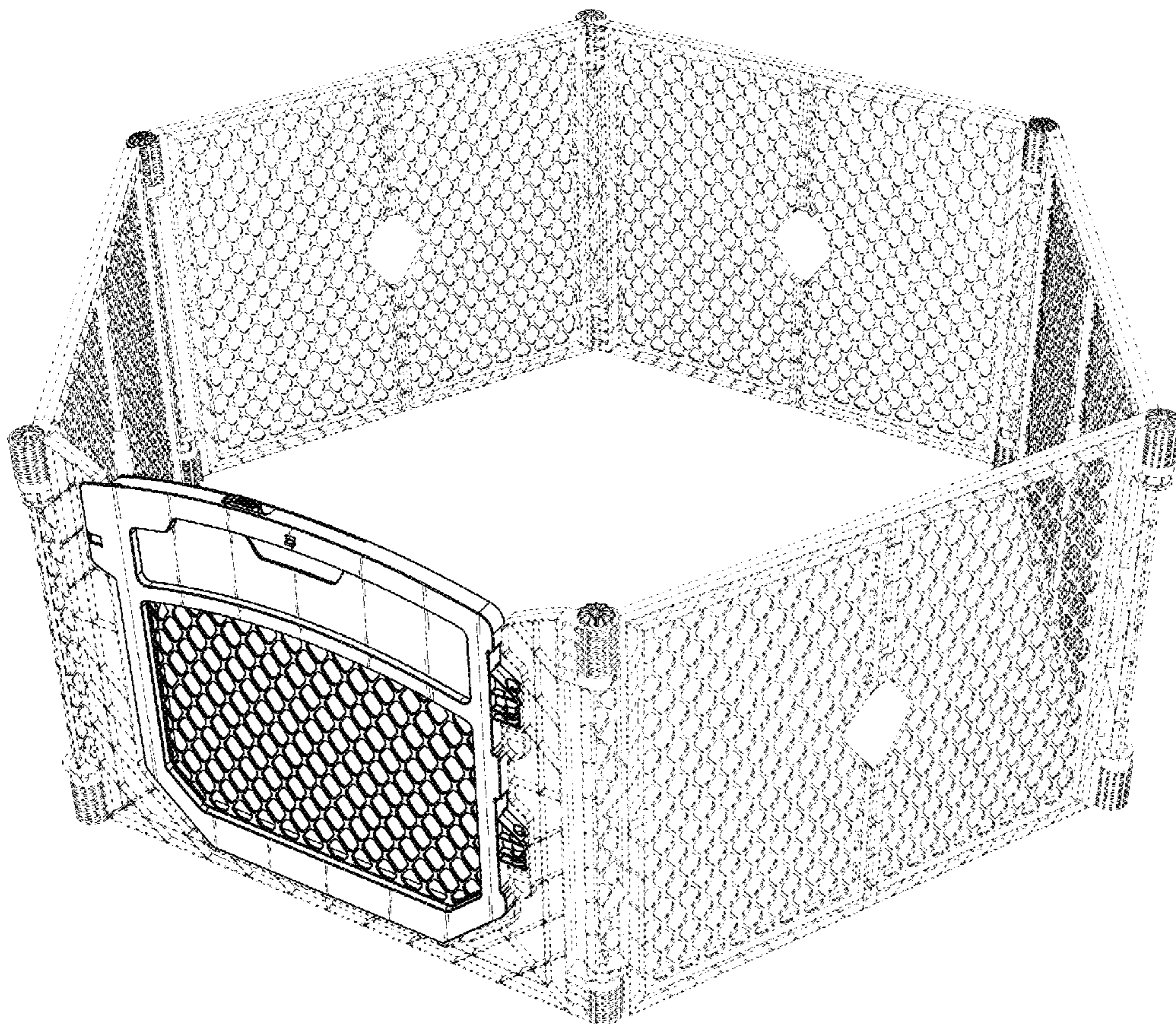
FIG. 6 is a bottom view of the gate of FIG. 3.

FIG. 7 is a first side view of the gate of FIG. 3.

FIG. 8 is a second side view of the gate of FIG. 3; and,

FIG. 9 is a back view of the gate of FIG. 3.

1 Claim, 9 Drawing Sheets



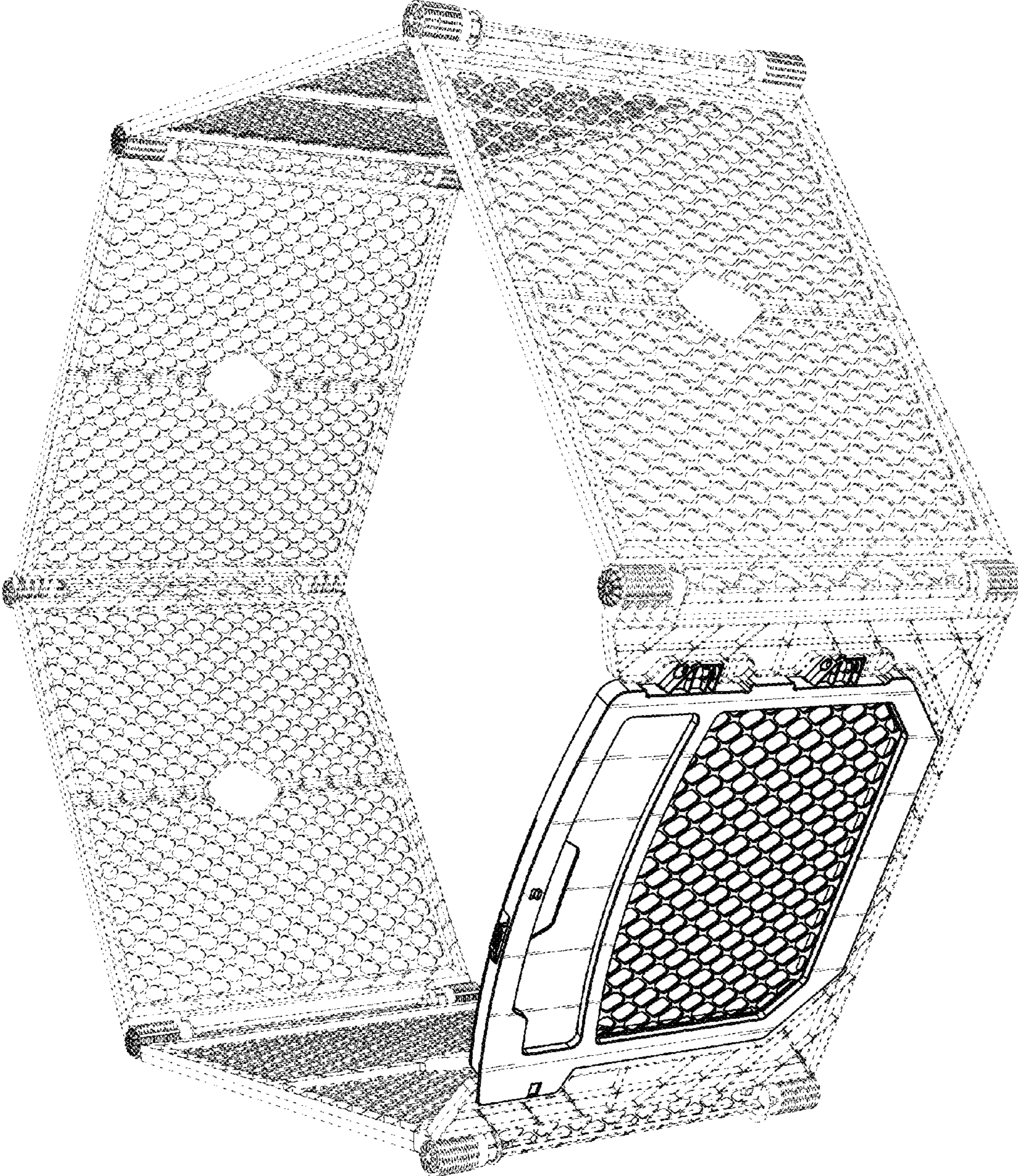


FIG. 1

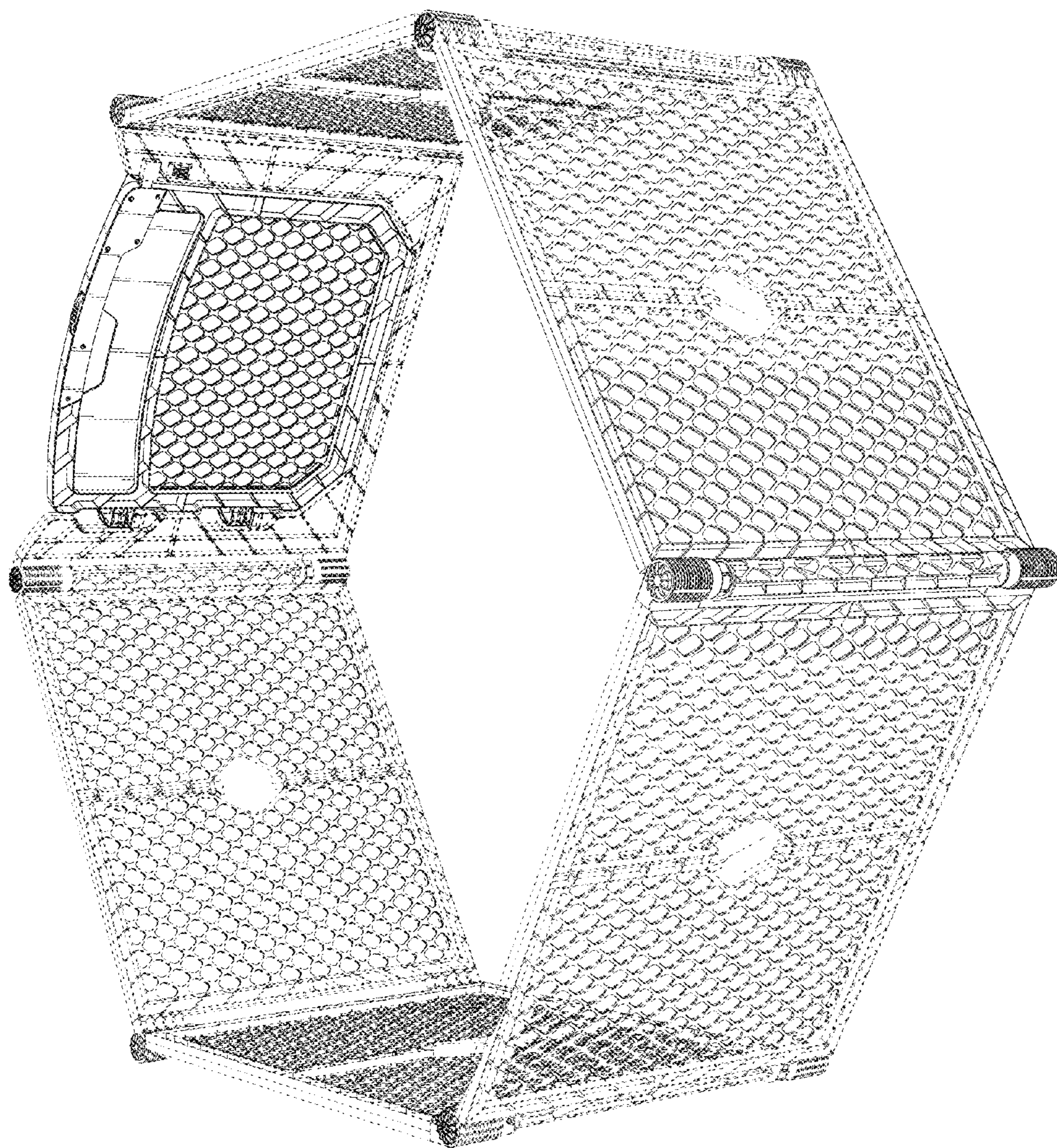


FIG. 2

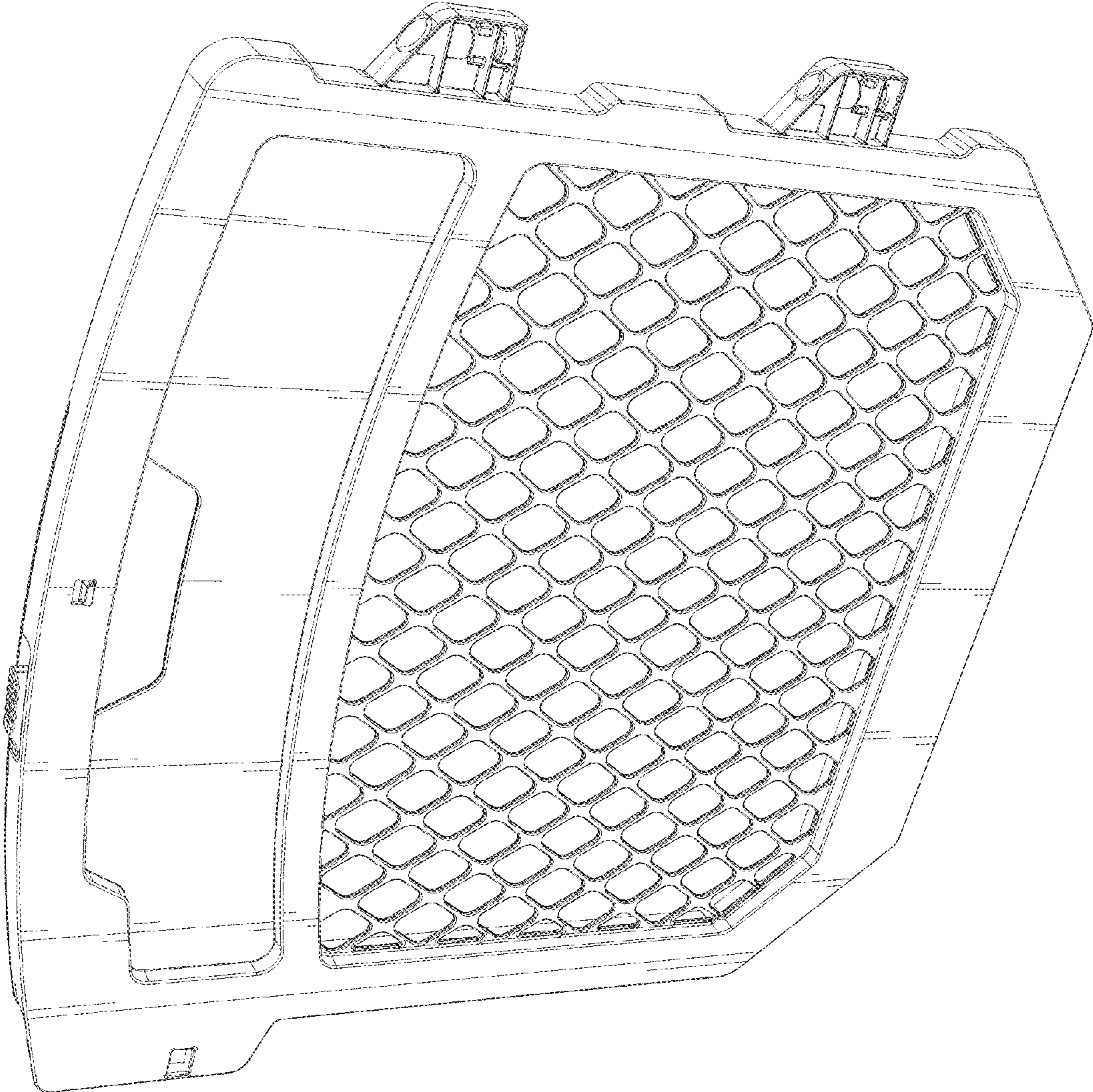


FIG. 3

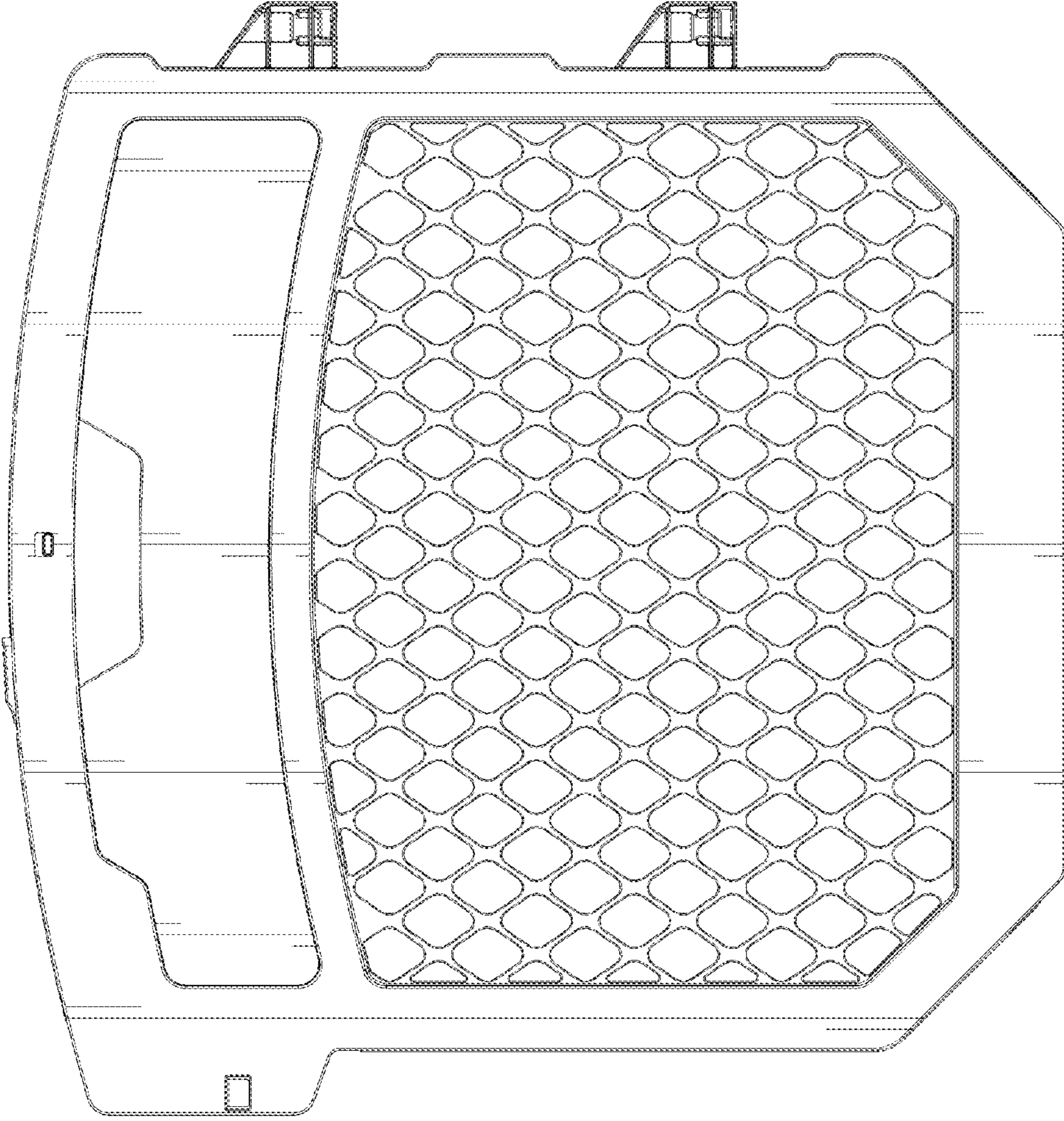


FIG. 4

FIG. 5

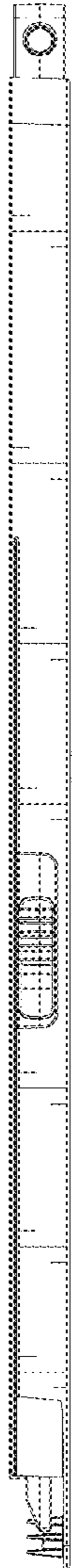


FIG. 6

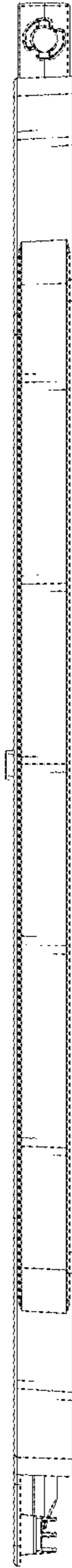




FIG. 7

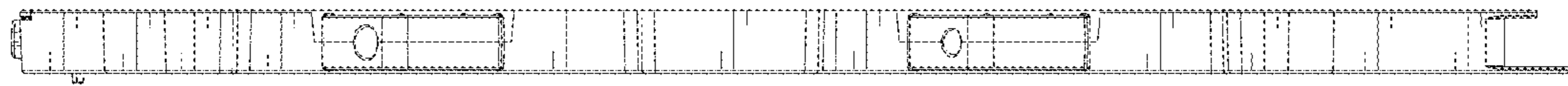


FIG. 8

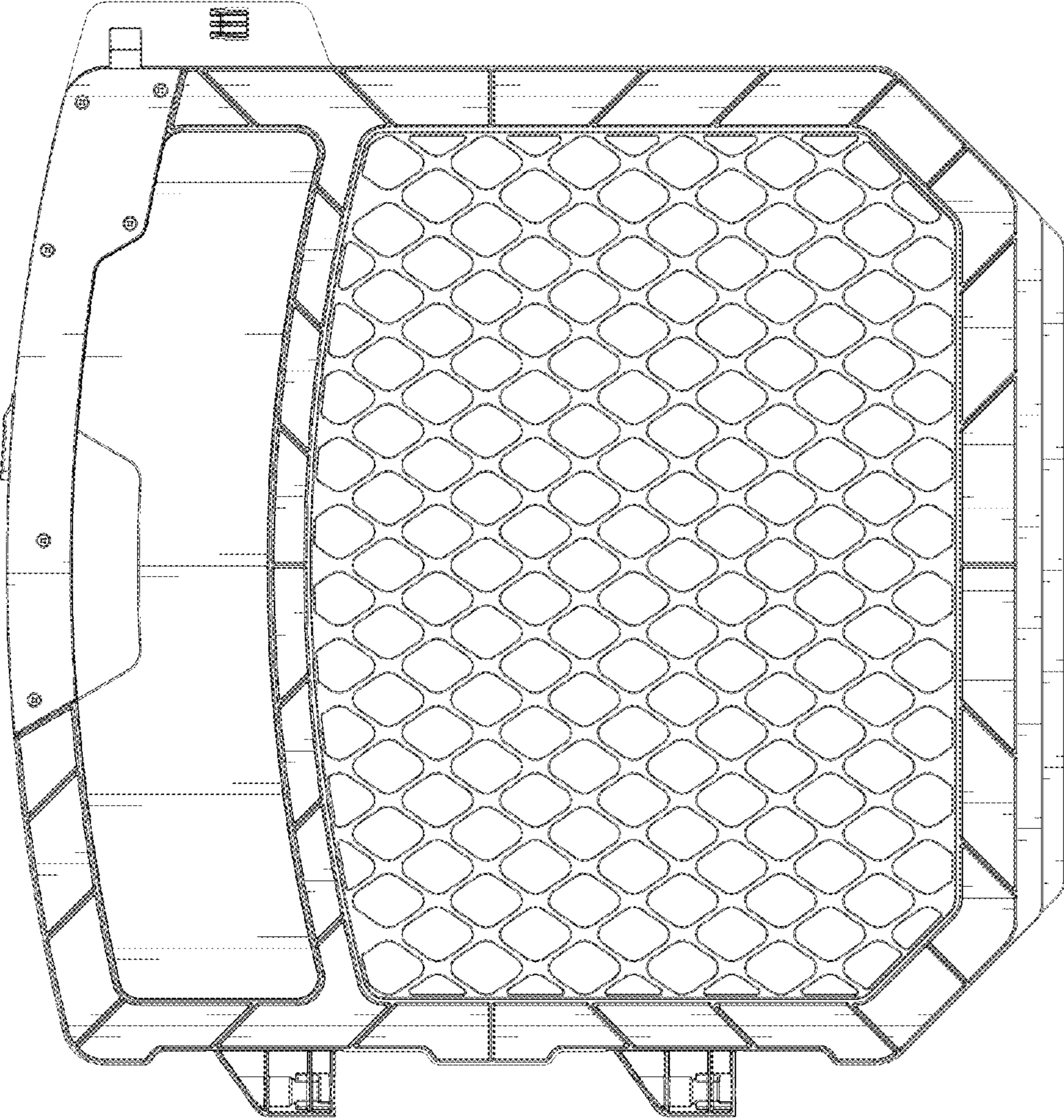


FIG. 9

UNITED STATES PATENT AND TRADEMARK OFFICE
CERTIFICATE OF CORRECTION

PATENT NO. : D708,354 S
APPLICATION NO. : 29/431114
DATED : July 1, 2014
INVENTOR(S) : Weisbeck et al.

Page 1 of 1

It is certified that error appears in the above-identified patent and that said Letters Patent is hereby corrected as shown below:

Title Page, item (75),

Page 1: City of residence for inventor Pilosi: "Minnetonka" should read --Minnetonka--

Signed and Sealed this
Seventeenth Day of February, 2015



Michelle K. Lee
Deputy Director of the United States Patent and Trademark Office