



US00D708353S

(12) **United States Design Patent**
Oetlinger

(10) **Patent No.:** **US D708,353 S**

(45) **Date of Patent:** **** Jul. 1, 2014**

(54) **FRAME MEMBER**

6,796,474 B2 9/2004 Oetlinger
6,904,837 B2 6/2005 Oetlinger
6,942,132 B2 9/2005 Oetlinger

(75) Inventor: **Frank E. Oetlinger**, Grafton, WI (US)

(Continued)

(73) Assignee: **Blanking Systems, Inc.**, Grafton, WI (US)

FOREIGN PATENT DOCUMENTS

(**) Term: **14 Years**

JP 2004-060789 2/2004
KR 10-0215558 8/1999
KR 10-2010-0016683 2/2010
WO 03070437 8/2003

(21) Appl. No.: **29/406,292**

(22) Filed: **Nov. 11, 2011**

Primary Examiner — Patricia Palasik

(51) **LOC (10) Cl.** **25-01**

(74) *Attorney, Agent, or Firm* — Boyle Fredrickson, S.C.

(52) **U.S. Cl.**

USPC **D25/121**; D25/61

(57) **CLAIM**

(58) **Field of Classification Search**

USPC D25/61, 119, 121; 15/3.21, 53.1, 60,
15/268; 52/36.5, 71, 243, 271, 281, 578,
52/591.1

The ornamental design for a frame member, as shown and described.

See application file for complete search history.

DESCRIPTION

(56) **References Cited**

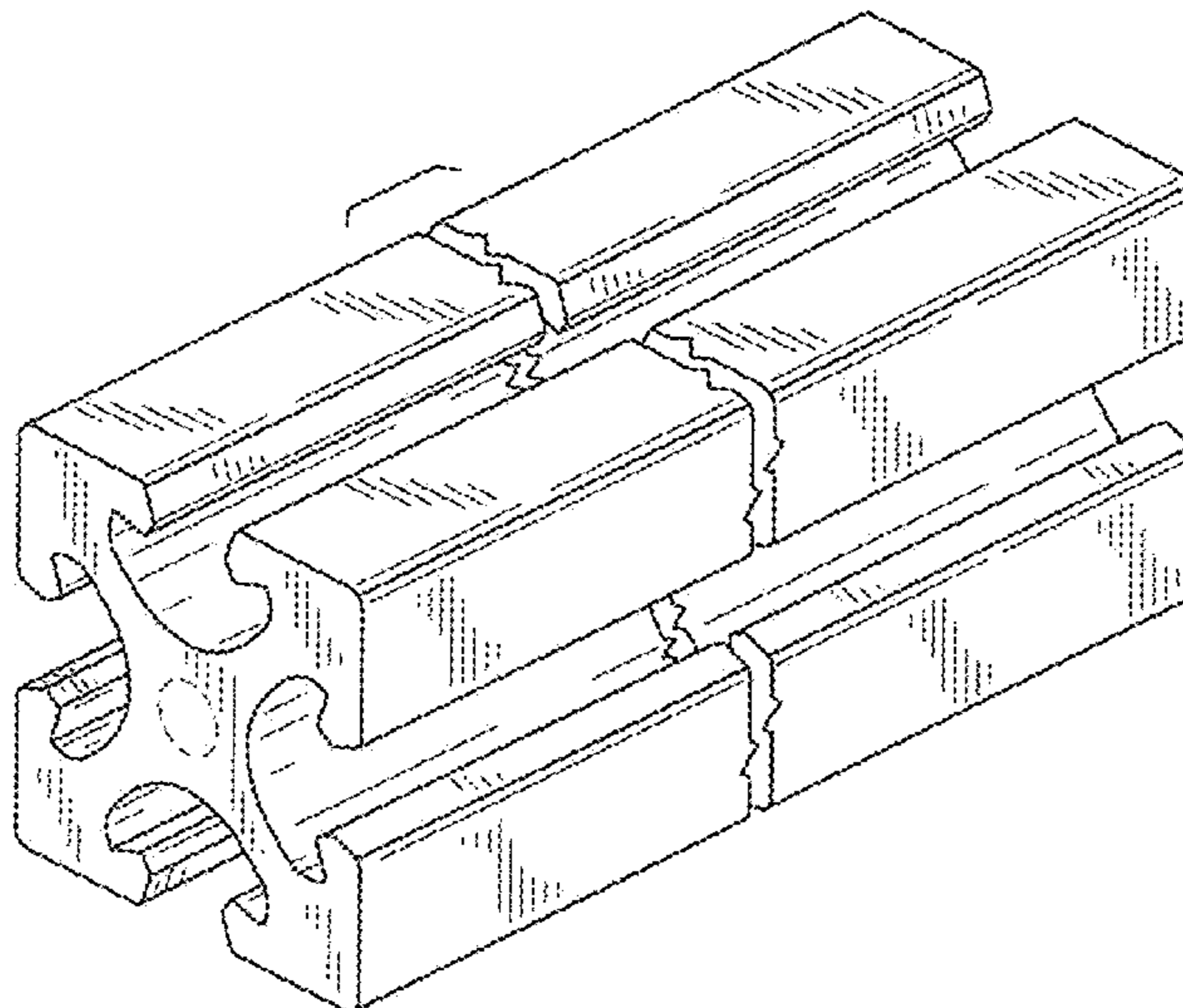
U.S. PATENT DOCUMENTS

3,066,773	A	12/1962	Raidel	
3,456,413	A	7/1969	Fischer	
3,901,612	A	8/1975	Canin	
4,388,786	A	6/1983	Gassler	
5,481,842	A *	1/1996	Gautreau	52/656.9
5,570,971	A	11/1996	Rixen et al.	
5,622,012	A	4/1997	Schijf	
5,746,535	A	5/1998	Kohler	
5,864,998	A	2/1999	Loomer	
6,390,719	B1	5/2002	Chan	
D471,083	S	3/2003	Wall	
6,679,016	B2	1/2004	Liu	
6,708,858	B2	3/2004	Oetlinger	
6,712,254	B2	3/2004	Oetlinger	
6,712,543	B1	3/2004	Schmalzhofer	
6,715,953	B2	4/2004	Oetlinger et al.	
6,722,811	B2	4/2004	Oetlinger	
D489,828	S	5/2004	Barnett	
6,769,342	B2	8/2004	Oetlinger	

FIG. 1 is an isometric view of a first embodiment of a frame member in accordance with the present invention; FIG. 2 is an end view of the frame member of FIG. 1; FIG. 3 is a side elevational view of the frame member of FIG. 1; FIG. 4 is an isometric view of a second embodiment of a frame member in accordance with the present invention; FIG. 5 is an end view of the frame member of FIG. 4; FIG. 6 is a side elevational view of the frame member of FIG. 4; FIG. 7 is an isometric view of a third embodiment of a frame member in accordance with the present invention; FIG. 8 is an end view of the frame member of FIG. 7; and, FIG. 9 is a side elevational view of the frame member of FIG. 7.

The broken away symbols in the drawings indicate the appearance of any portion of the article between the break lines forms no part of the claimed design.

1 Claim, 6 Drawing Sheets



(56)

References Cited

U.S. PATENT DOCUMENTS

6,997,364 B2 2/2006 Oetlinger
7,143,916 B2 12/2006 Oetlinger
7,182,235 B2 2/2007 Oetlinger

7,185,797 B2 3/2007 Oetlinger et al.
7,992,752 B2 8/2011 Oetlinger
D655,021 S 2/2012 Oetlinger
8,474,213 B2* 7/2013 Oetlinger 52/655.1
2006/0133893 A1* 6/2006 Harashima et al. 403/331

* cited by examiner

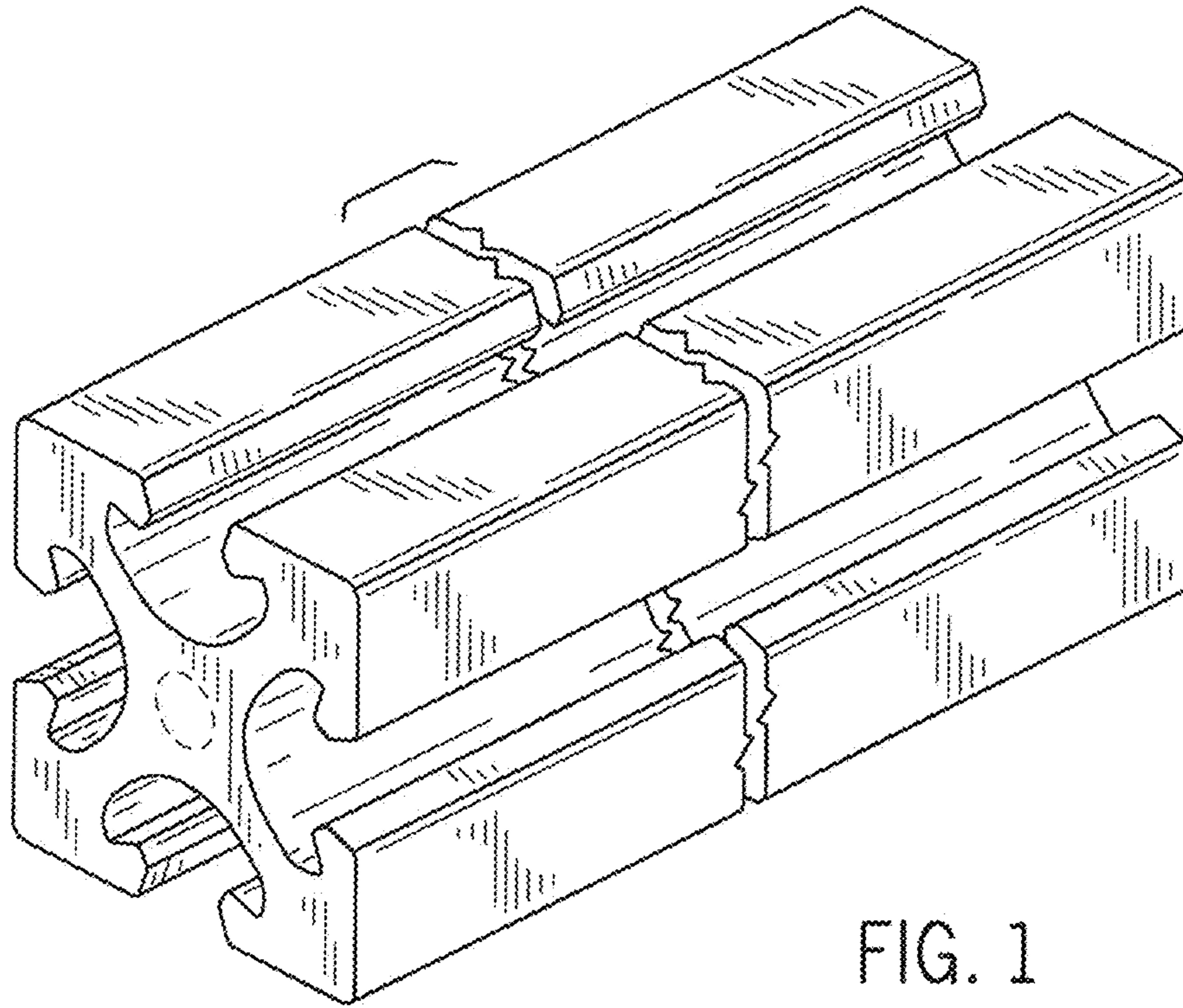


FIG. 1

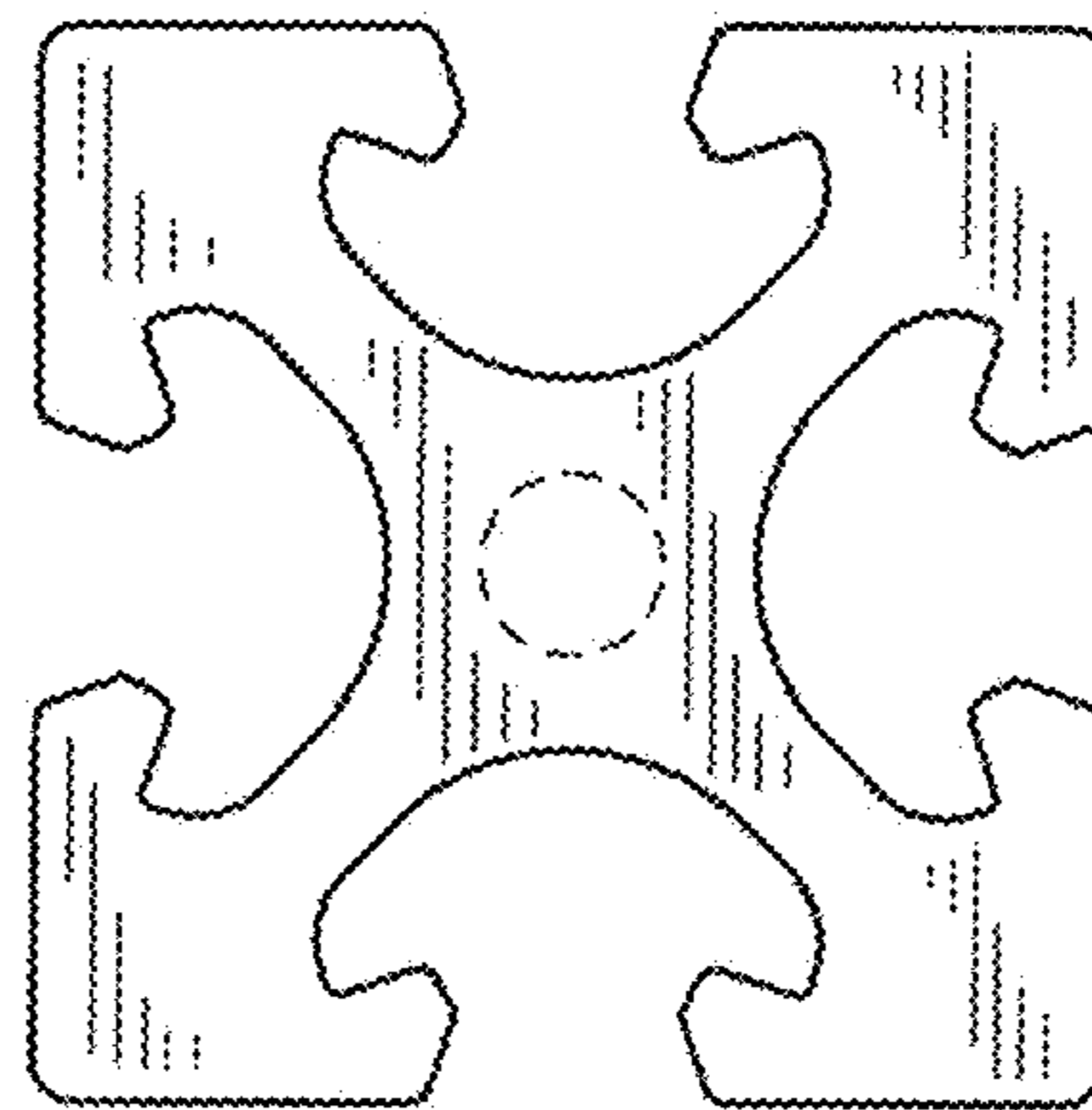


FIG. 2

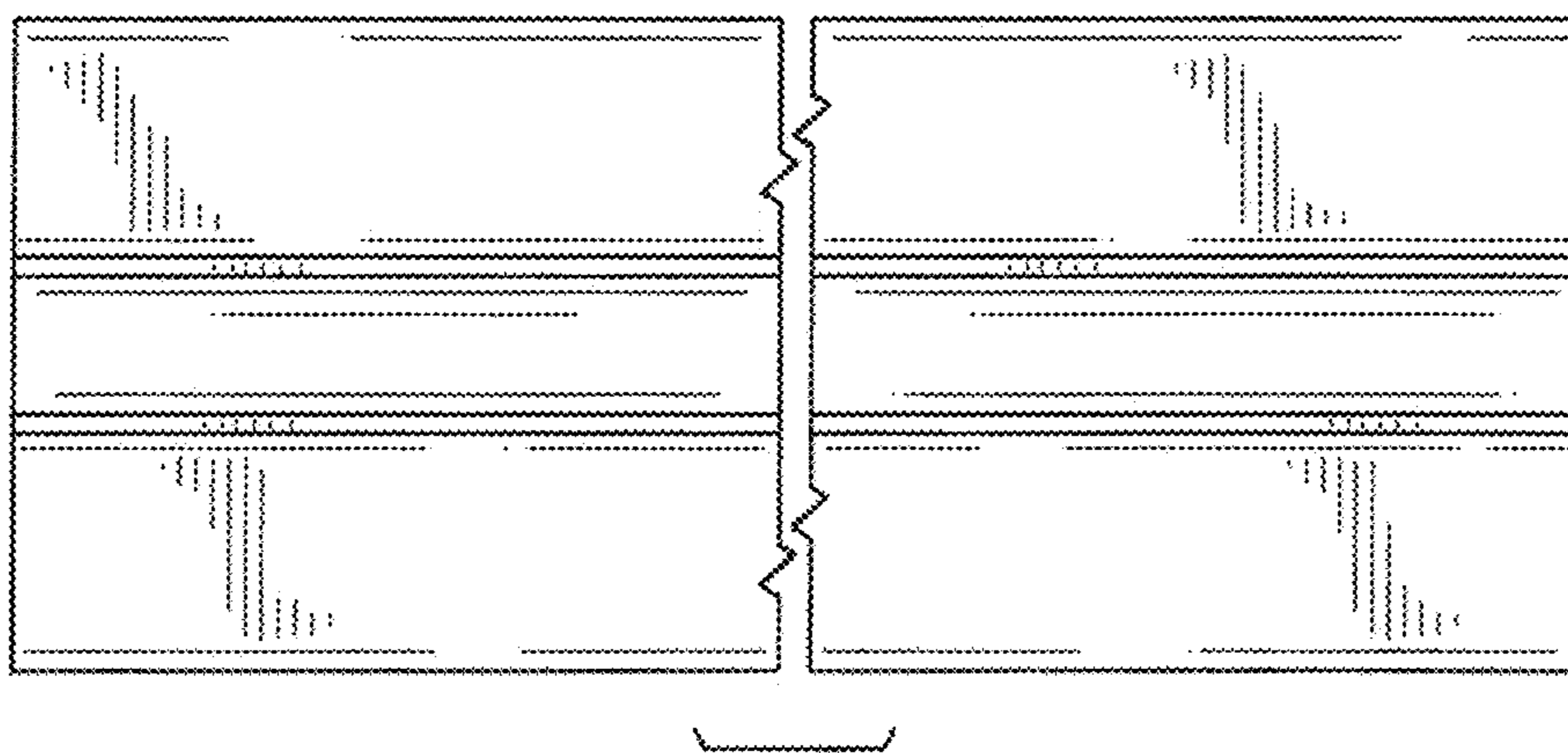


FIG. 3

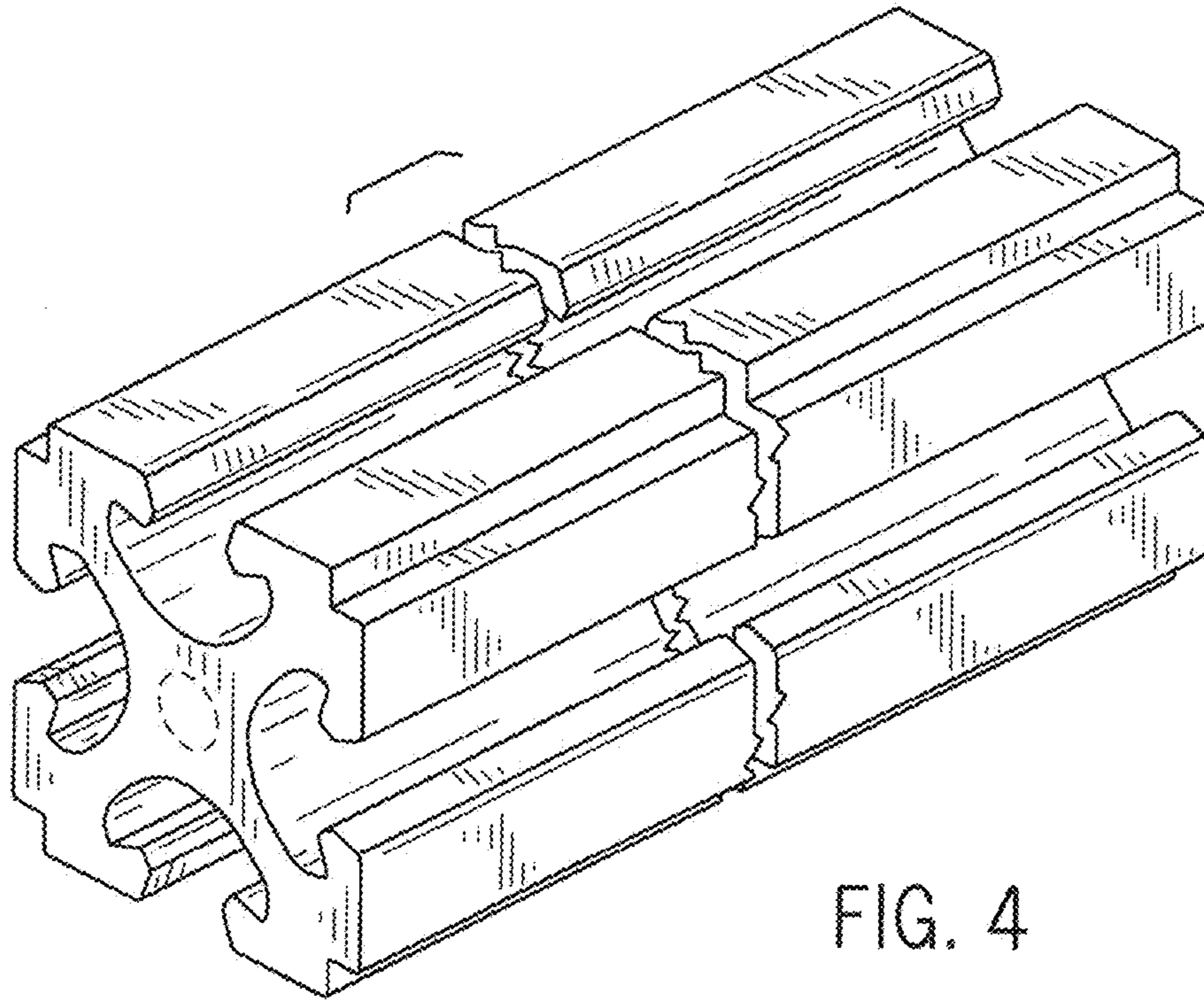


FIG. 4

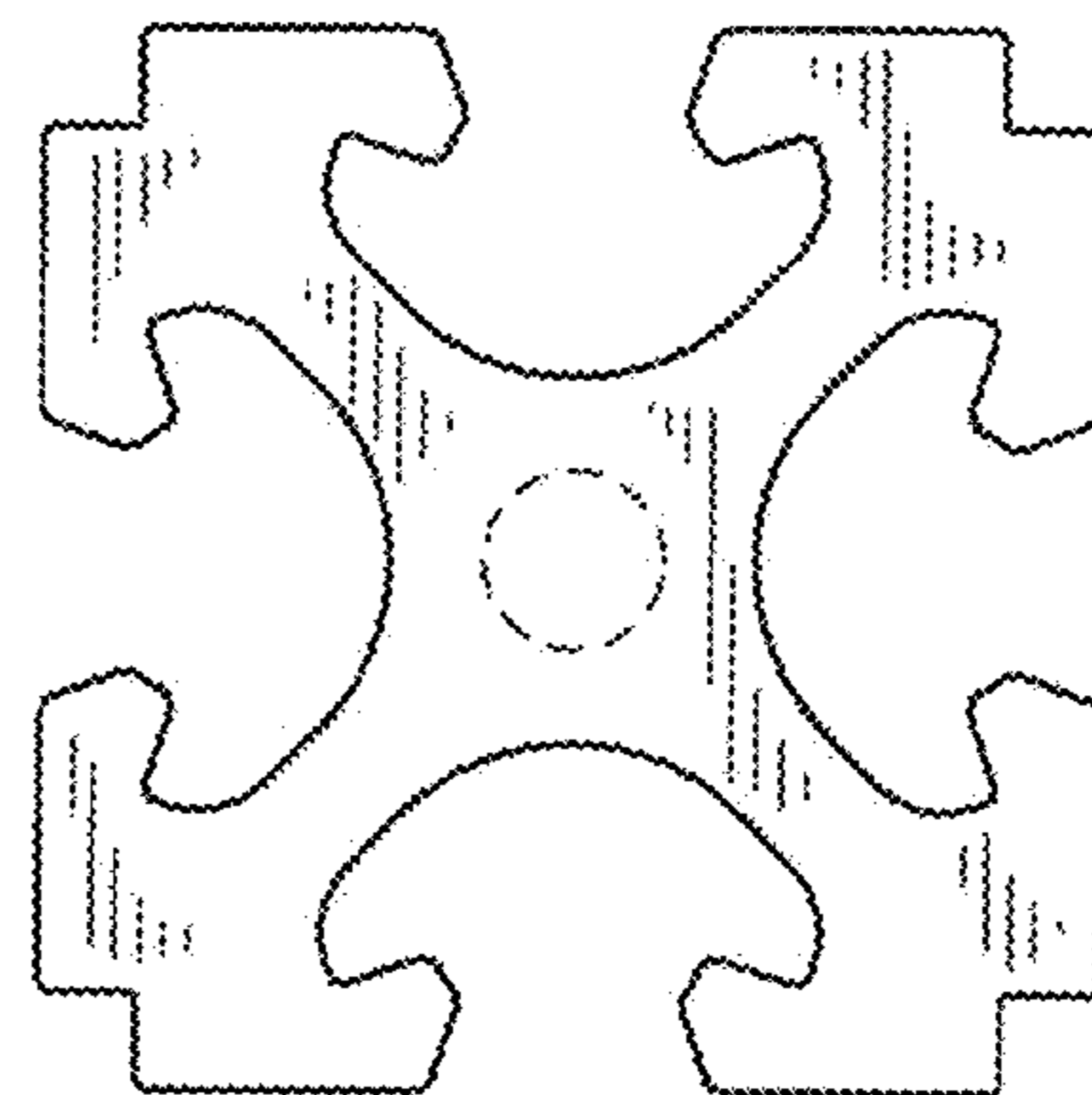


FIG. 5

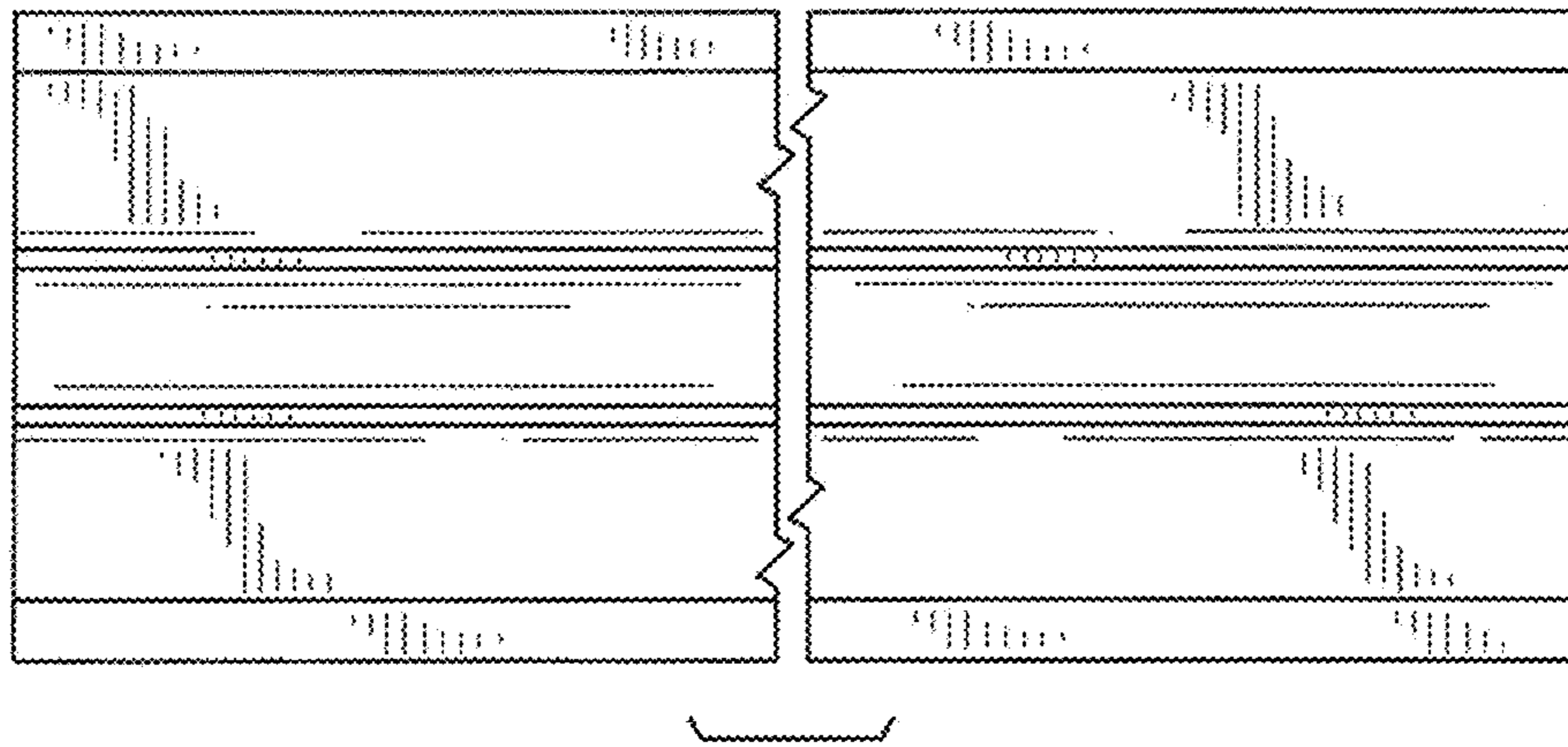


FIG. 6

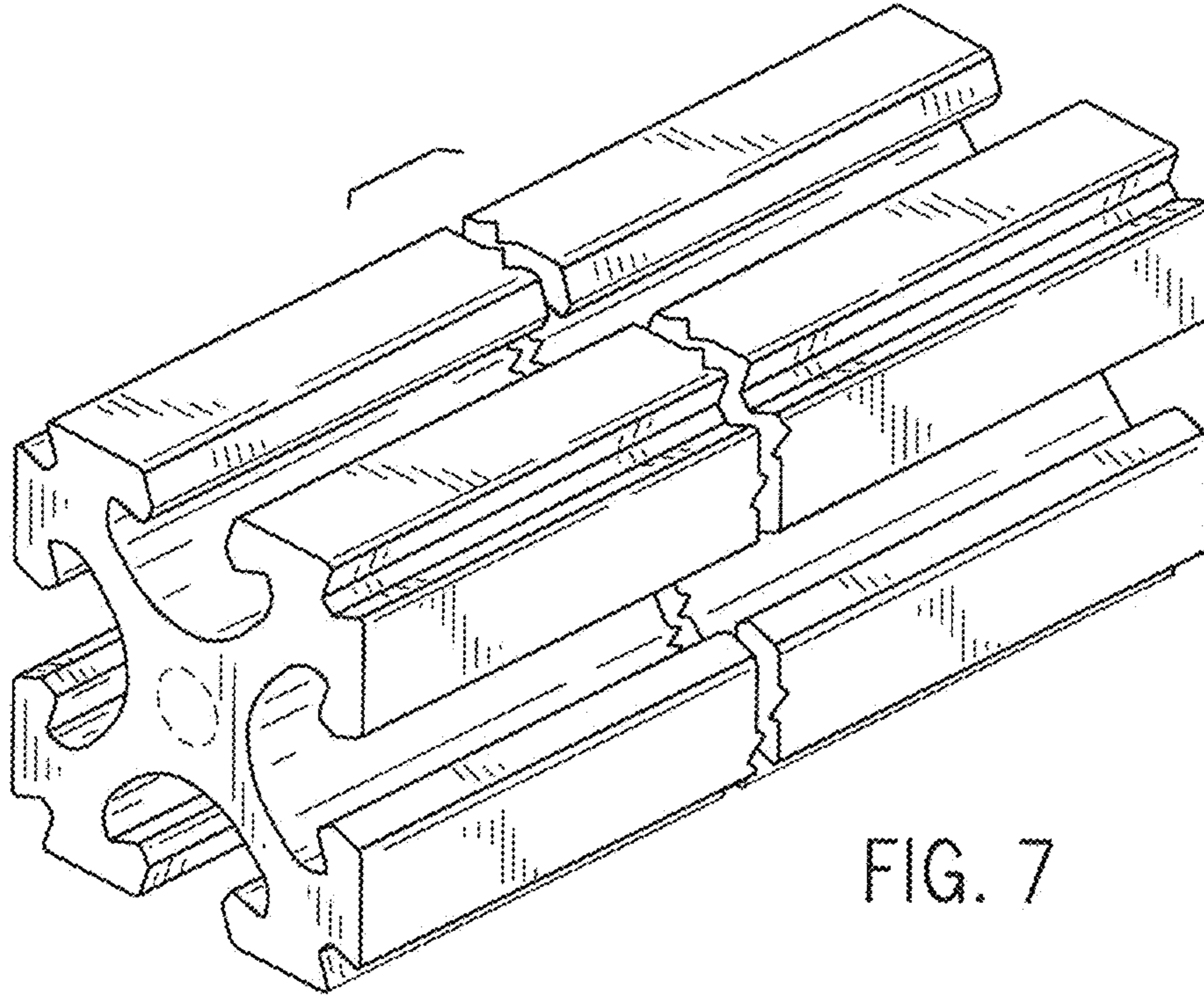


FIG. 7

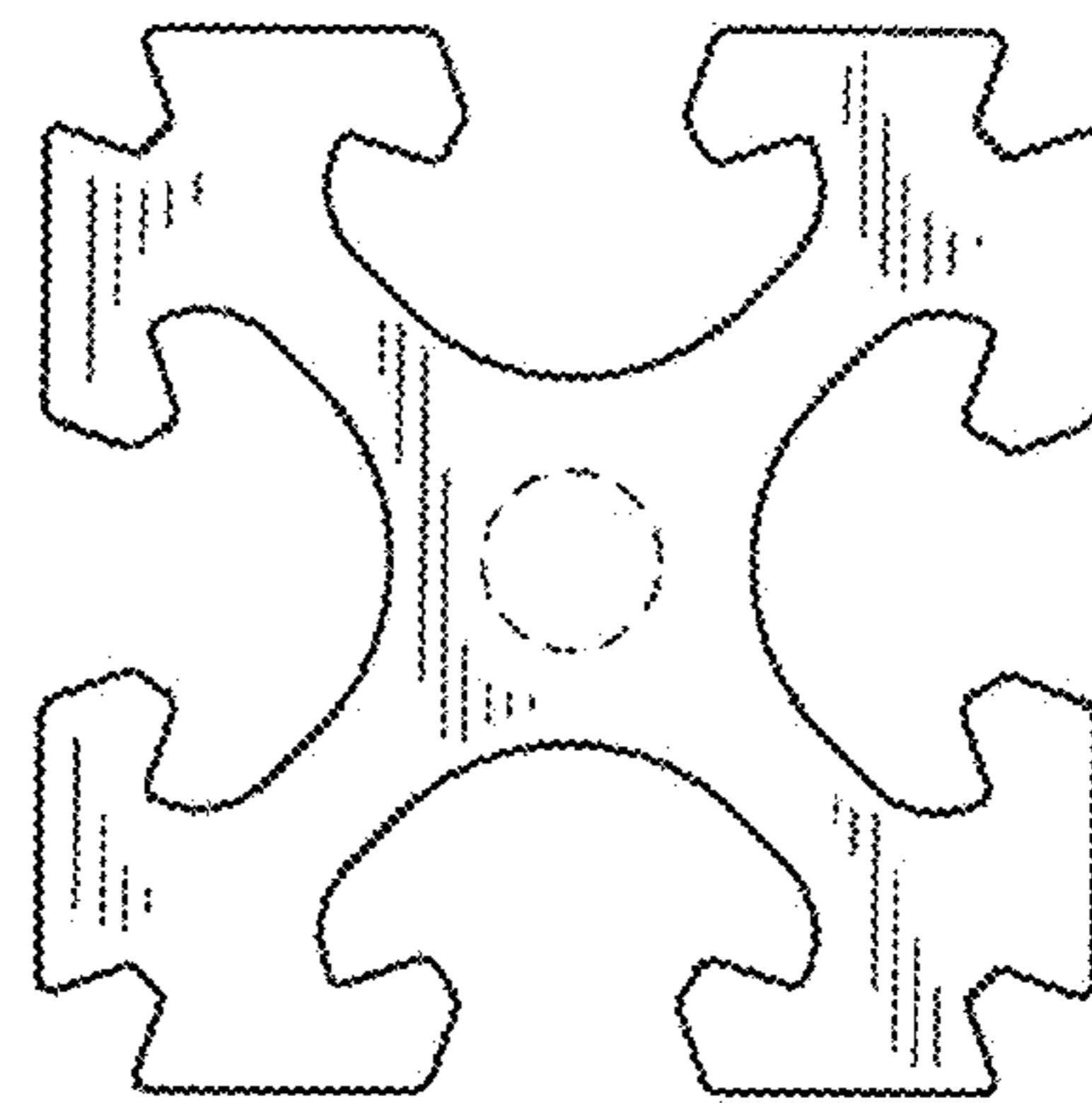


FIG. 8

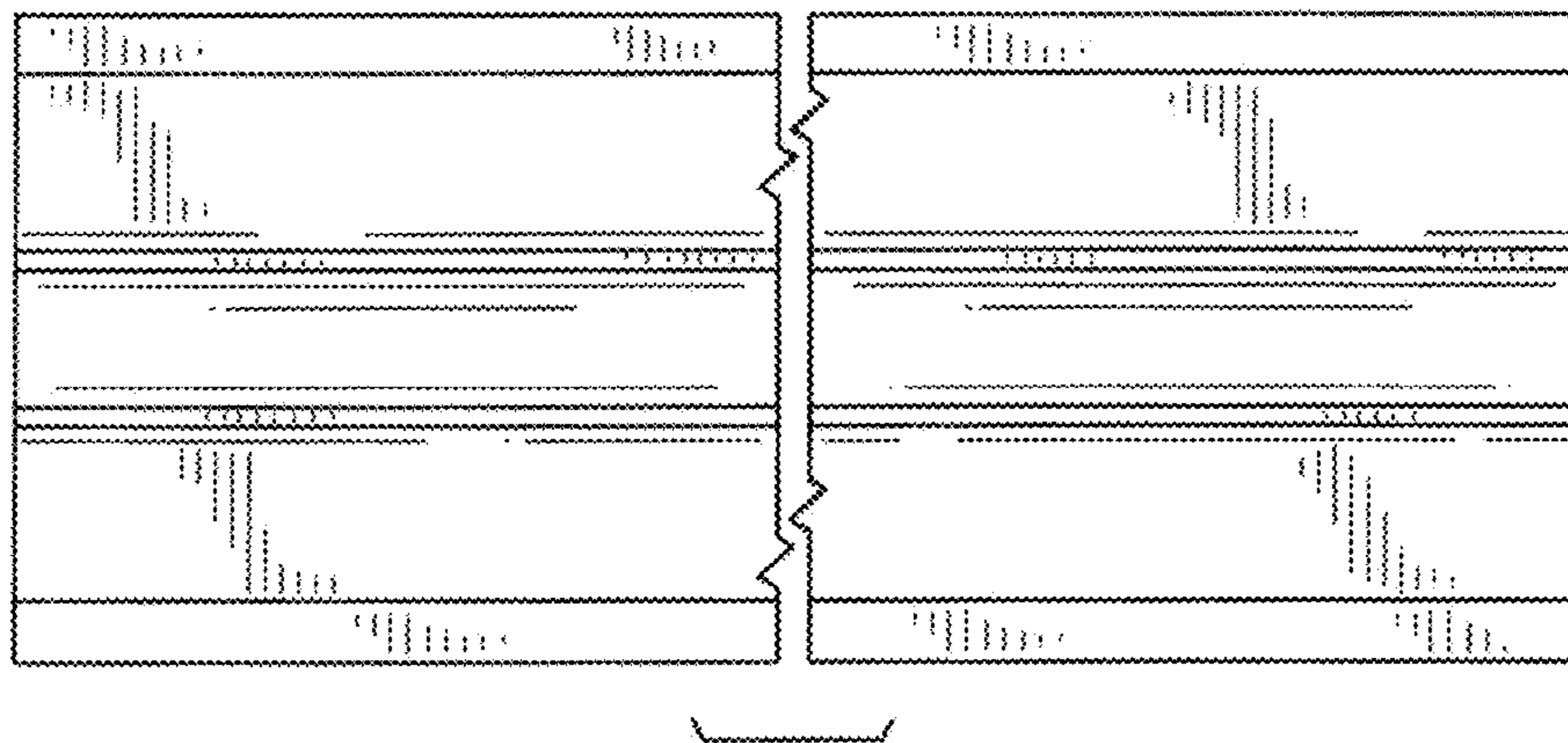


FIG. 9