



US00D708347S

(12) **United States Design Patent**  
**Lober**

(10) **Patent No.:** **US D708,347 S**

(45) **Date of Patent:** **\*\* Jul. 1, 2014**

(54) **SYRINGE HOLDER**

(71) Applicant: **Op-Marks, Inc.**, Bogart, GA (US)

(72) Inventor: **Stephen Bruce Lober**, Athens, GA (US)

(73) Assignee: **Op-Marks, Inc.**, Bogart, GA (US)

(\*\*) Term: **14 Years**

(21) Appl. No.: **29/447,415**

(22) Filed: **Mar. 4, 2013**

(51) **LOC (10) Cl.** ..... **24-01**

(52) **U.S. Cl.**  
USPC ..... **D24/227**

(58) **Field of Classification Search**  
USPC ..... D24/185, 216–232, 127–128;  
D3/203.1–203.8, 304;  
D6/406.1–406.3, 406.6; D9/341, 345,  
D9/347, 348, 415, 418, 419, 430, 732;  
422/58, 99, 102, 104, 297, 400,  
422/560–564, 509, 942; 206/461–471, 526,  
206/528, 531, 534–539; 211/85.13, 126.14,  
211/174

See application file for complete search history.

(56) **References Cited**

**U.S. PATENT DOCUMENTS**

D334,973 S \* 4/1993 Valentine et al. .... D24/227  
D337,830 S \* 7/1993 Coyne et al. .... D24/229  
D387,177 S \* 12/1997 Davis ..... D24/227

D402,767 S \* 12/1998 Davis et al. .... D24/229  
D438,634 S \* 3/2001 Merry ..... D24/227  
D442,697 S \* 5/2001 Hajianpour ..... D24/229  
D565,743 S \* 4/2008 Phillips et al. .... D24/229  
D571,478 S \* 6/2008 Horacek ..... D24/217  
D596,311 S \* 7/2009 Antons ..... D24/227  
D608,015 S \* 1/2010 Sandel ..... D24/227  
D608,456 S \* 1/2010 Sandel ..... D24/227  
D618,821 S \* 6/2010 Larsen ..... D24/227  
D631,558 S \* 1/2011 Harmston et al. .... D24/229  
D646,796 S \* 10/2011 Walter ..... D24/227  
D647,628 S \* 10/2011 Helfteren ..... D24/229  
D650,912 S \* 12/2011 Tomes et al. .... D24/227  
D662,218 S \* 6/2012 Pittman ..... D24/227

\* cited by examiner

*Primary Examiner* — T. Chase Nelson

*Assistant Examiner* — Mark Cavanna

(74) *Attorney, Agent, or Firm* — Ballard Spahr LLP

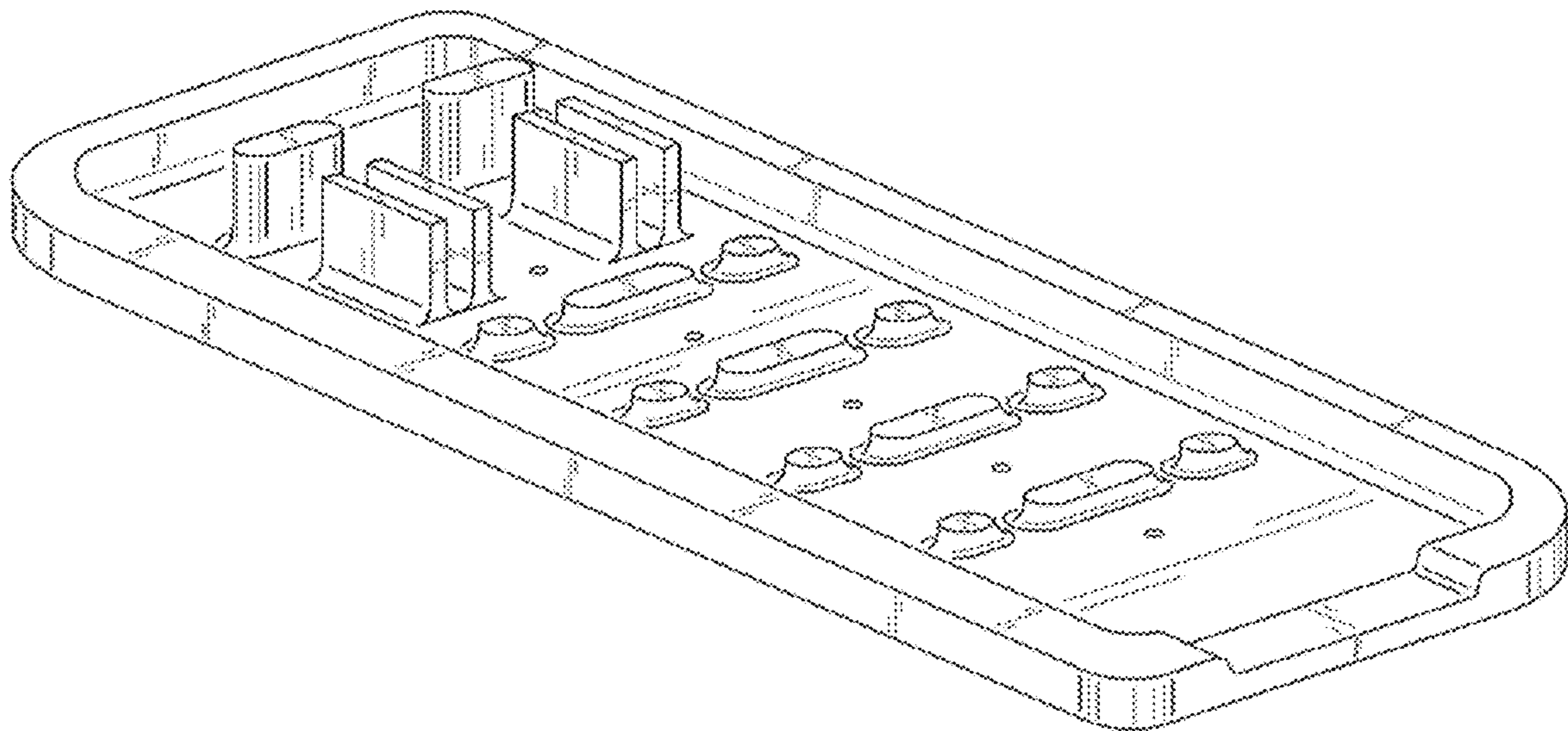
(57) **CLAIM**

The ornamental design for a syringe holder, as shown and described.

**DESCRIPTION**

FIG. 1 is a perspective view of a design for a syringe holder for receiving one or more syringes; FIG. 2 is a front end view of the syringe holder of FIG. 1; FIG. 3 is a back end view of the syringe holder of FIG. 1; FIG. 4 is a left side view of the syringe holder of FIG. 1; FIG. 5 is a right side view of the syringe holder of FIG. 1; FIG. 6 is a top view of the syringe holder of FIG. 1; and, FIG. 7 is a bottom view of the syringe holder of FIG. 1.

**1 Claim, 7 Drawing Sheets**



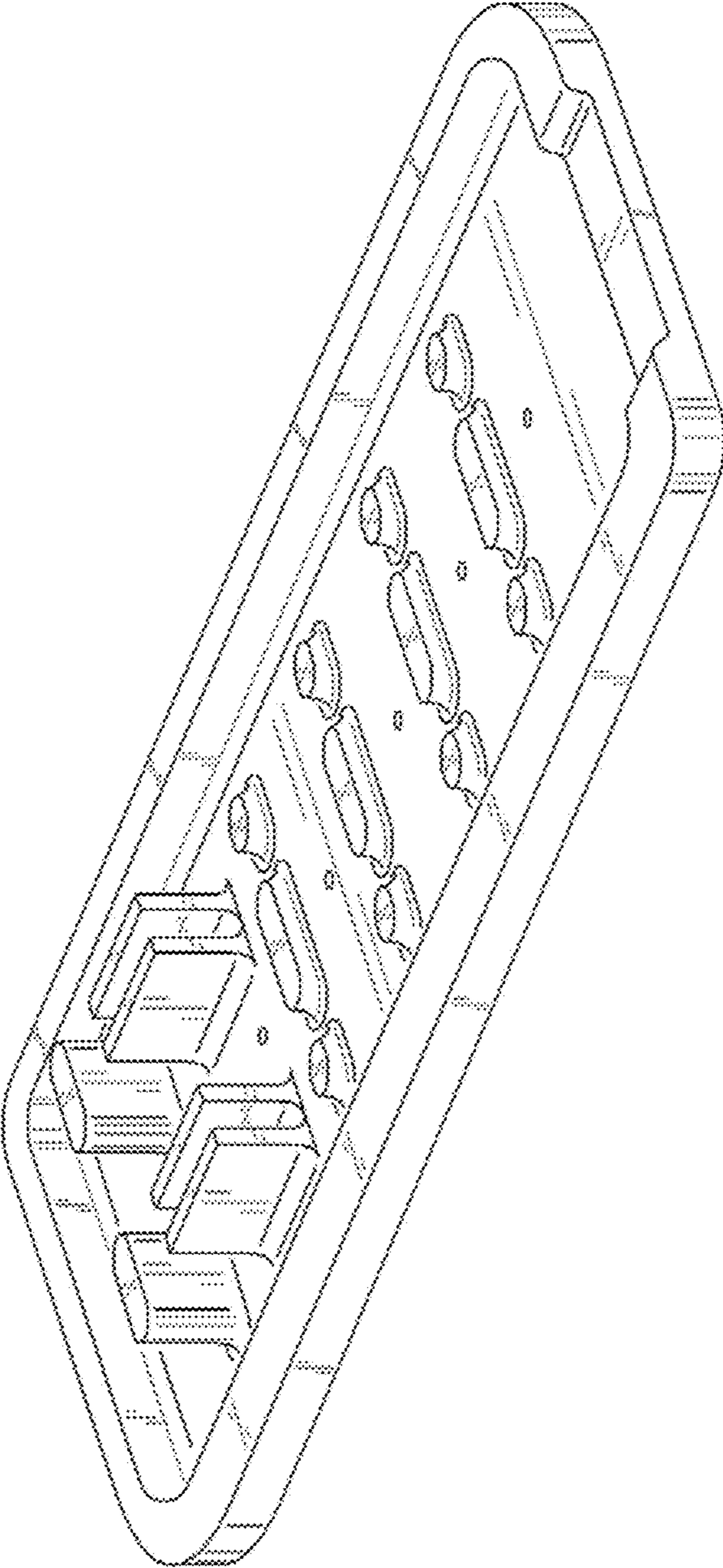


FIG. 1

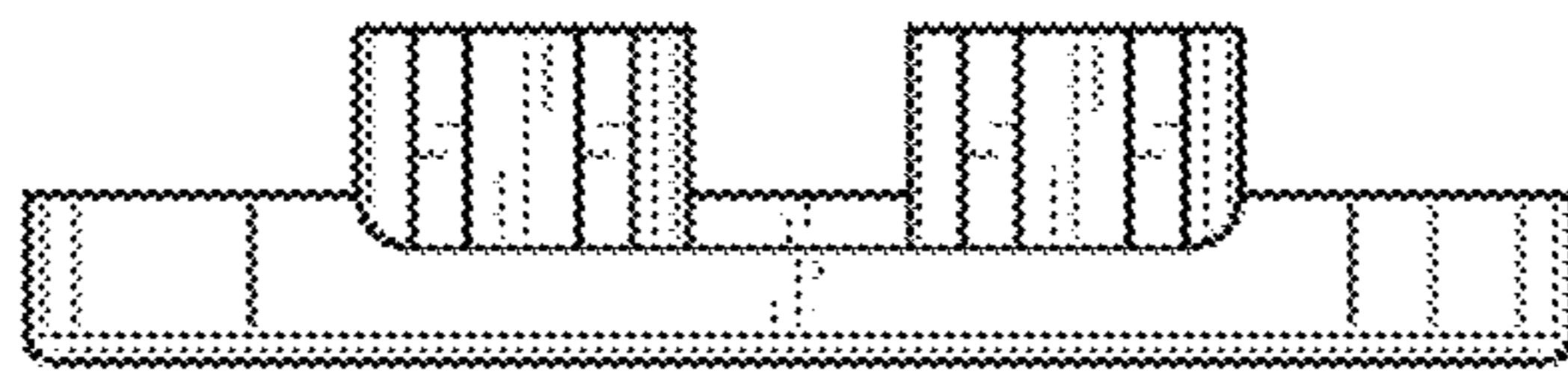


FIG. 2

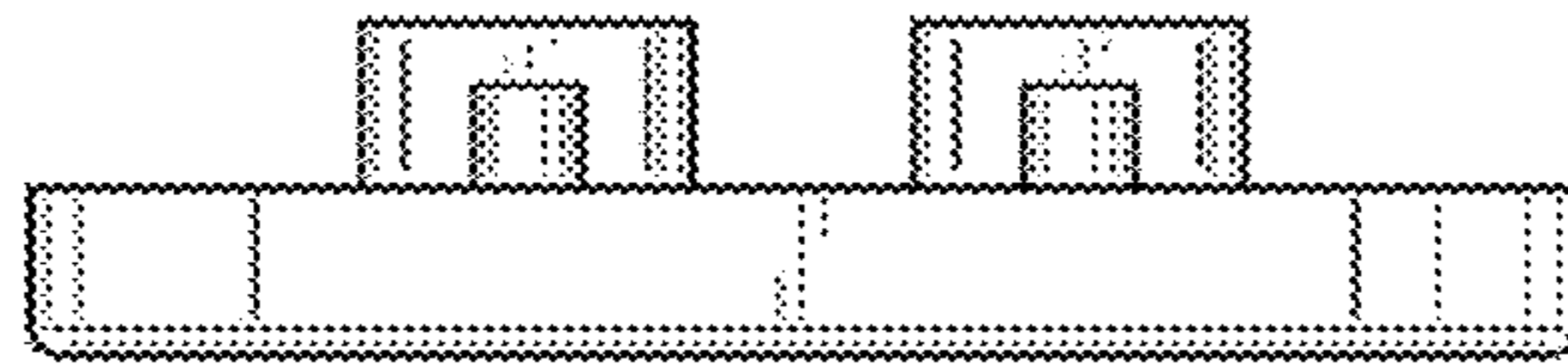


FIG. 3



FIG. 4

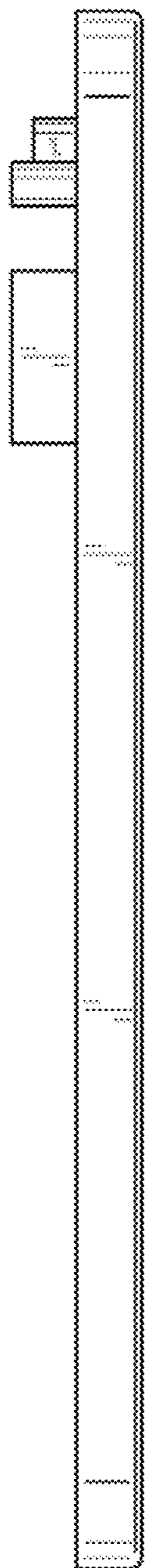


FIG. 5

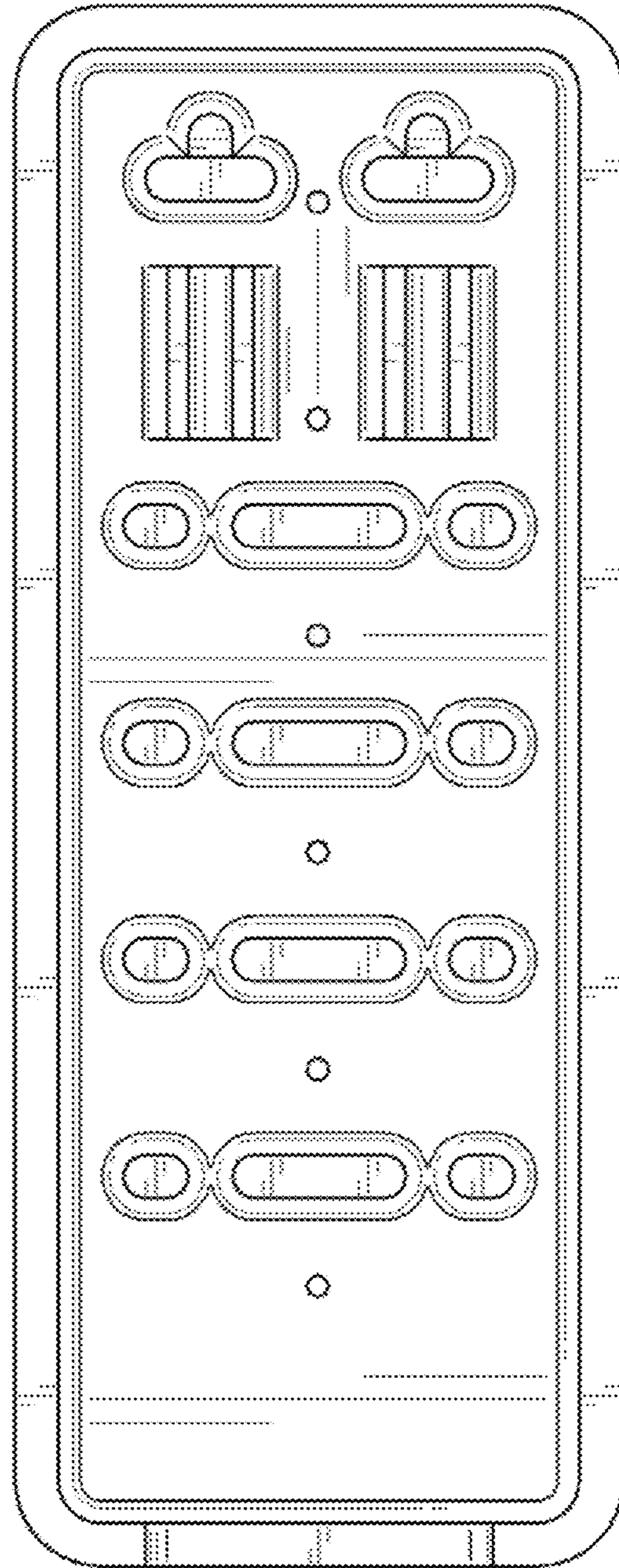


FIG. 6

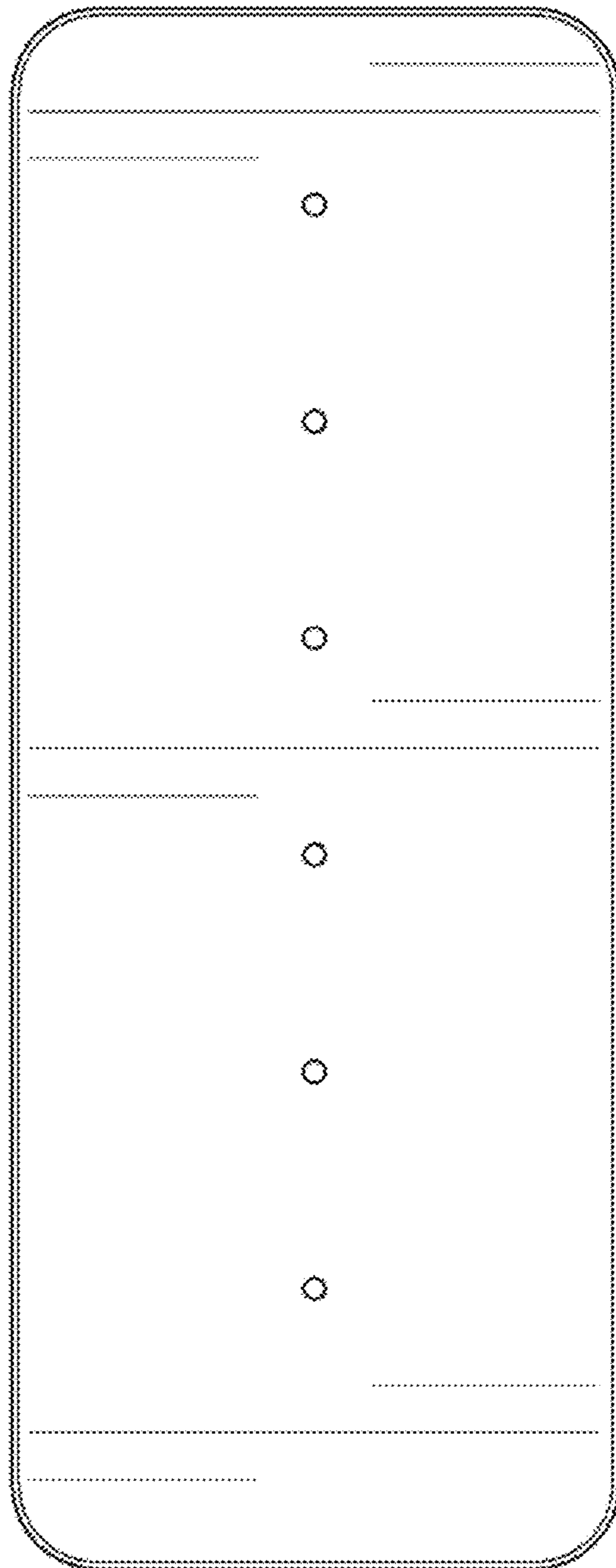


FIG. 7