



US00D708346S

(12) **United States Design Patent**
Harder

(10) **Patent No.:** **US D708,346 S**
(45) **Date of Patent:** **** Jul. 1, 2014**

- (54) **LAMINAR FLOW SWIM SPA JET**
- (71) Applicant: **LMI IP, LLC**, Winter Park, FL (US)
- (72) Inventor: **Gary Harder**, Lake Mary, FL (US)
- (73) Assignee: **LMI IP, LLC**, Winter Park, FL (US)
- (**) Term: **14 Years**
- (21) Appl. No.: **29/467,309**
- (22) Filed: **Sep. 18, 2013**
- (51) **LOC (10) Cl.** **23-01**
- (52) **U.S. Cl.**
USPC **D24/201**
- (58) **Field of Classification Search**
USPC D24/200–205, 212, 213; D23/277, 260,
D23/261, 365; D28/56, 61; D6/336, 495;
601/6, 15, 64, 157–158, 30–32; 4/622,
4/574.1, 541.1–541.6, 547, 578.1, 579,
4/492; 55/516; 210/422, 423
See application file for complete search history.

D403,060 S *	12/1998	Flor et al.	D23/365
D515,190 S *	2/2006	Bartholmey et al.	D23/365
D565,165 S *	3/2008	Calkins	D23/370
D592,297 S *	5/2009	Hayashi	D23/365
D645,566 S *	9/2011	Lee	D24/201
D669,969 S *	10/2012	Forrest et al.	D23/261
D689,192 S *	9/2013	Loyd	D24/201
D690,407 S *	9/2013	Williams et al.	D23/365
D693,474 S *	11/2013	Steimle et al.	D24/201

* cited by examiner

Primary Examiner — David Muller

(74) *Attorney, Agent, or Firm* — Larson & Larson, P.A.;
Frank Liebenow; Justin P. Miller

(57) **CLAIM**

I claim the ornamental design for a laminar flow swim spa jet,
as shown and described.

DESCRIPTION

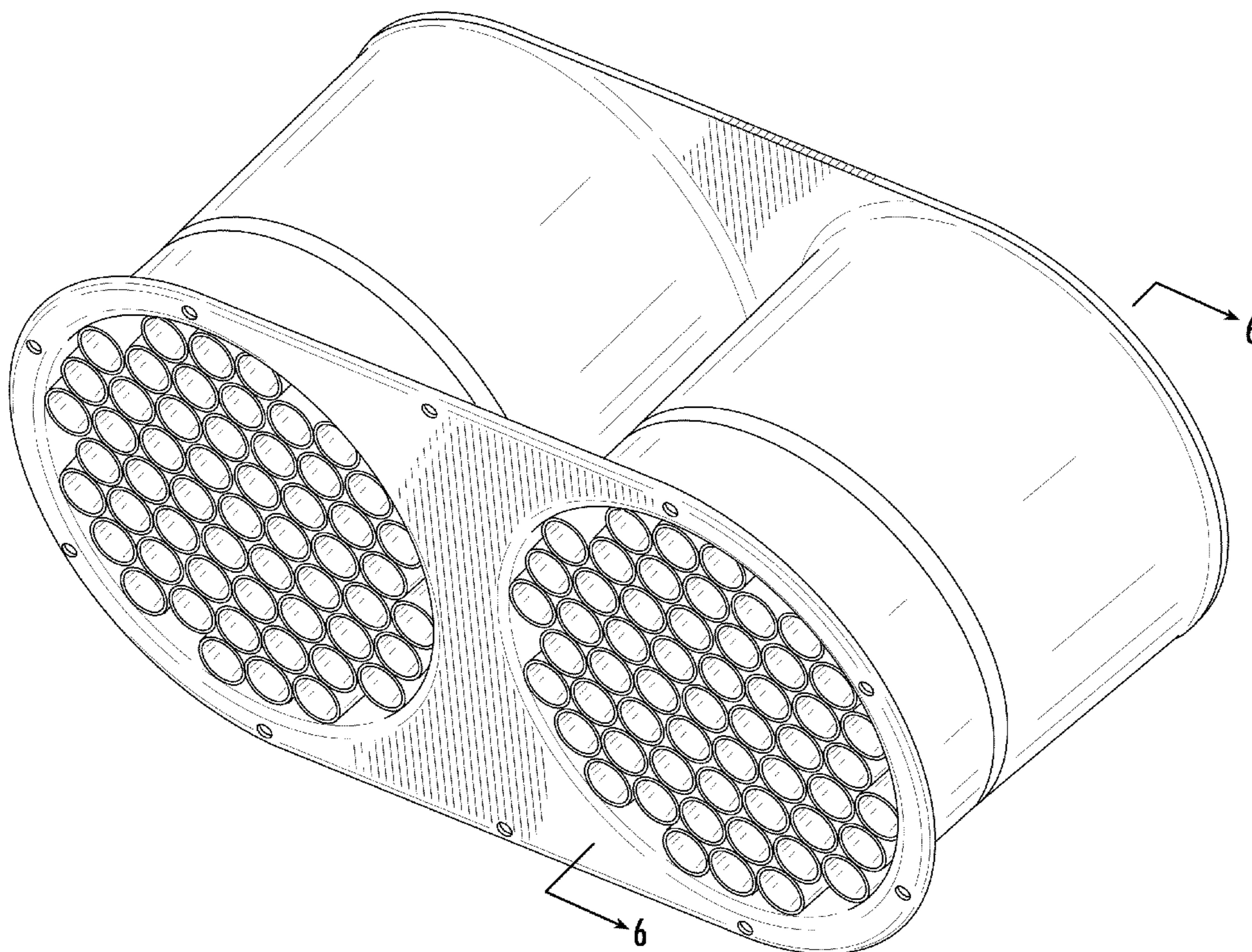
FIG. 1 is a front perspective view of the laminar flow swim spa jet showing my new design;
 FIG. 2 is a front elevation view thereof;
 FIG. 3 is a rear elevation view thereof;
 FIG. 4 is a top plan view thereof, the bottom plan view being symmetrical;
 FIG. 5 is a left side elevation view thereof, the right side elevation view being symmetrical; and,
 FIG. 6 is a front perspective cutaway view thereof, taken at line 6-6 in FIG. 1, showing the depth of the tubes.

1 Claim, 6 Drawing Sheets

(56) **References Cited**

U.S. PATENT DOCUMENTS

1,769,153 A *	7/1930	Meyer	55/516
D320,086 S *	9/1991	Moeller	D24/204
D323,706 S *	2/1992	Sexton	D23/365
5,733,350 A *	3/1998	Muller et al.	55/482



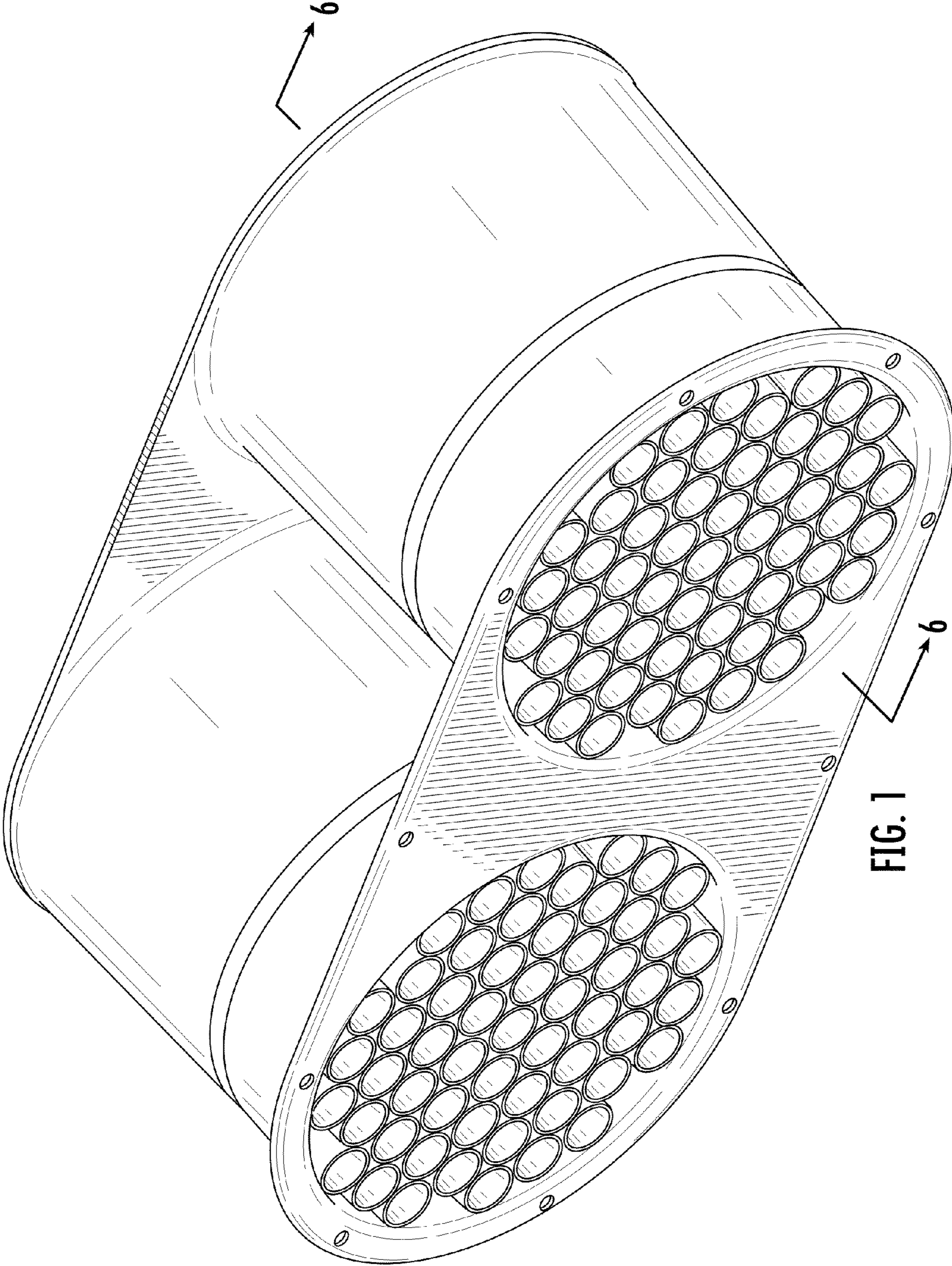


FIG. 1

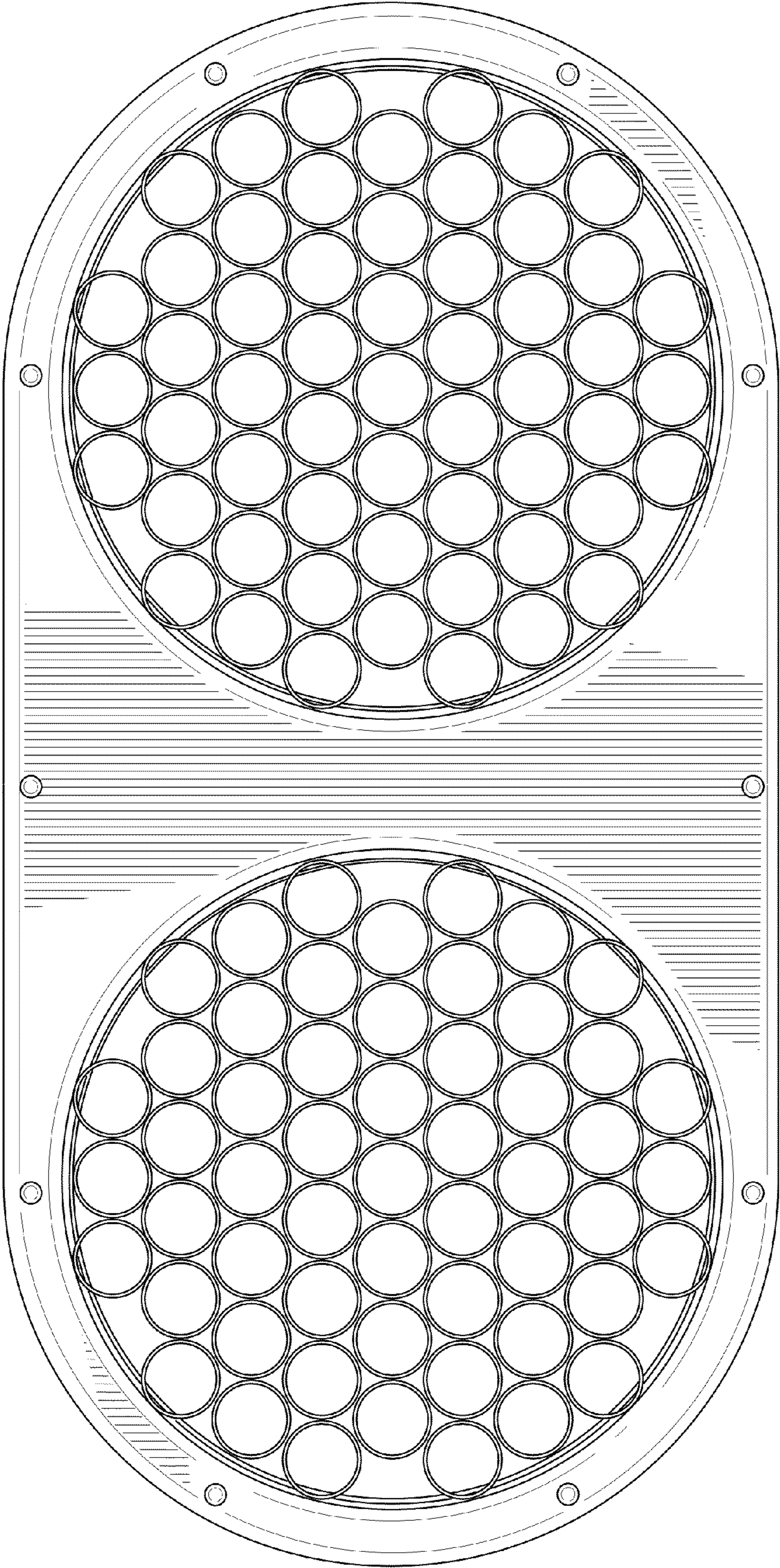


FIG. 2

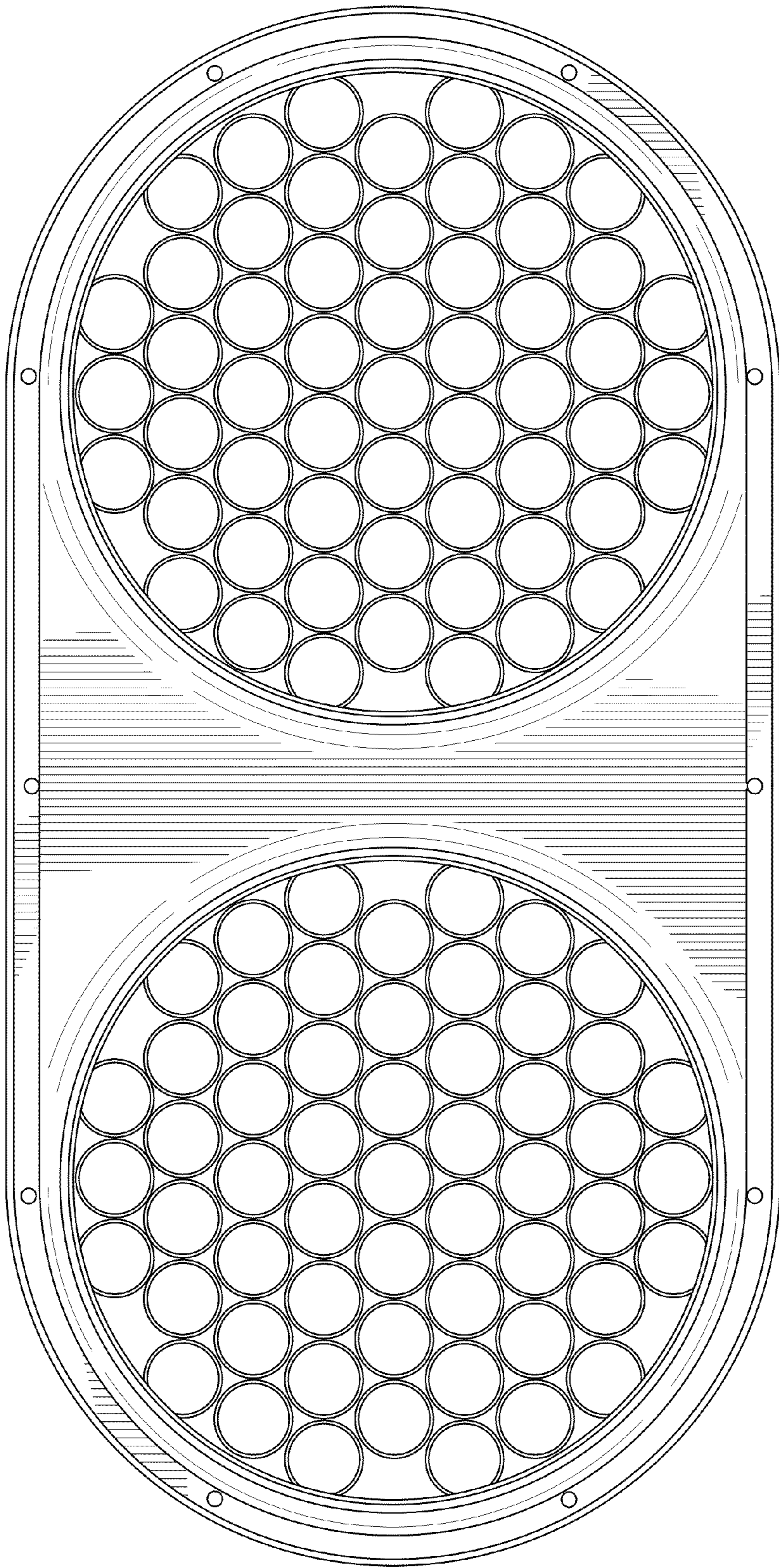


FIG. 3

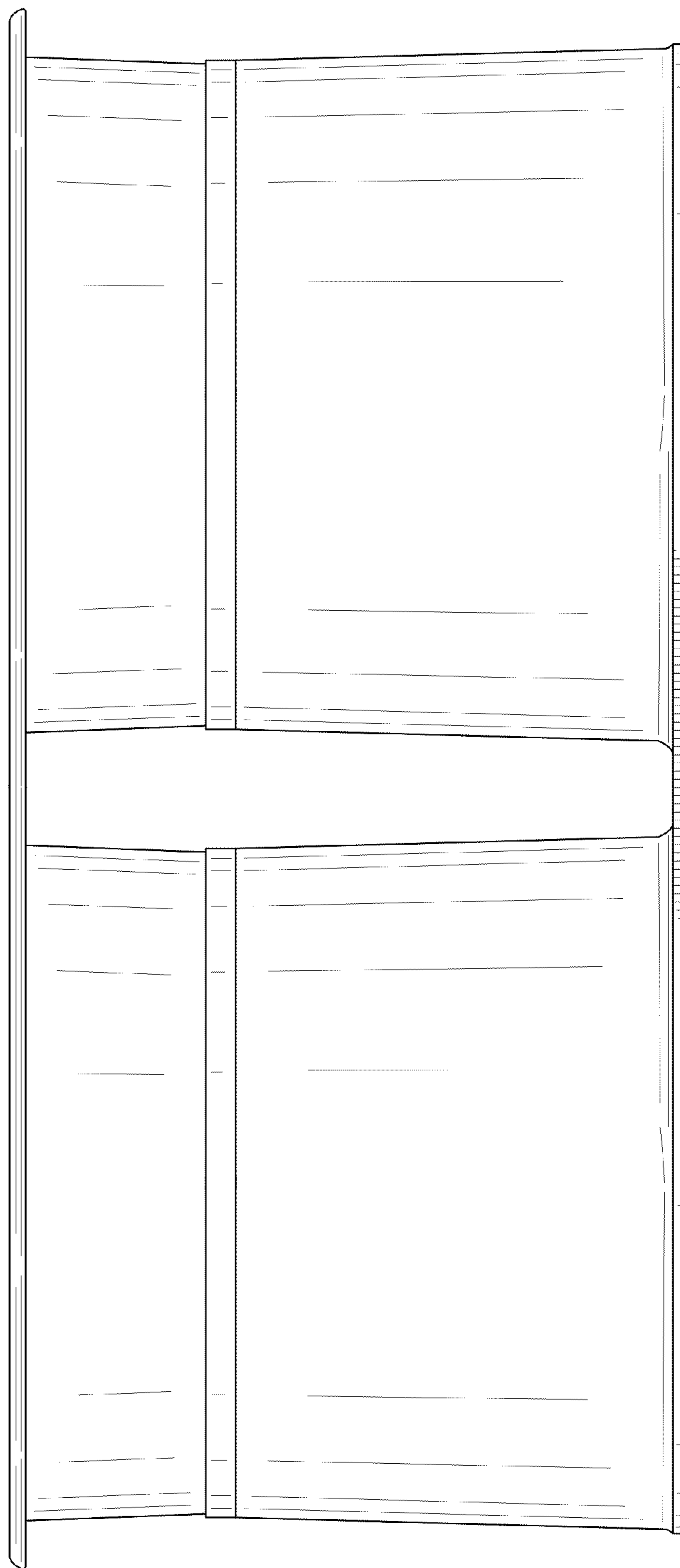


FIG. 4

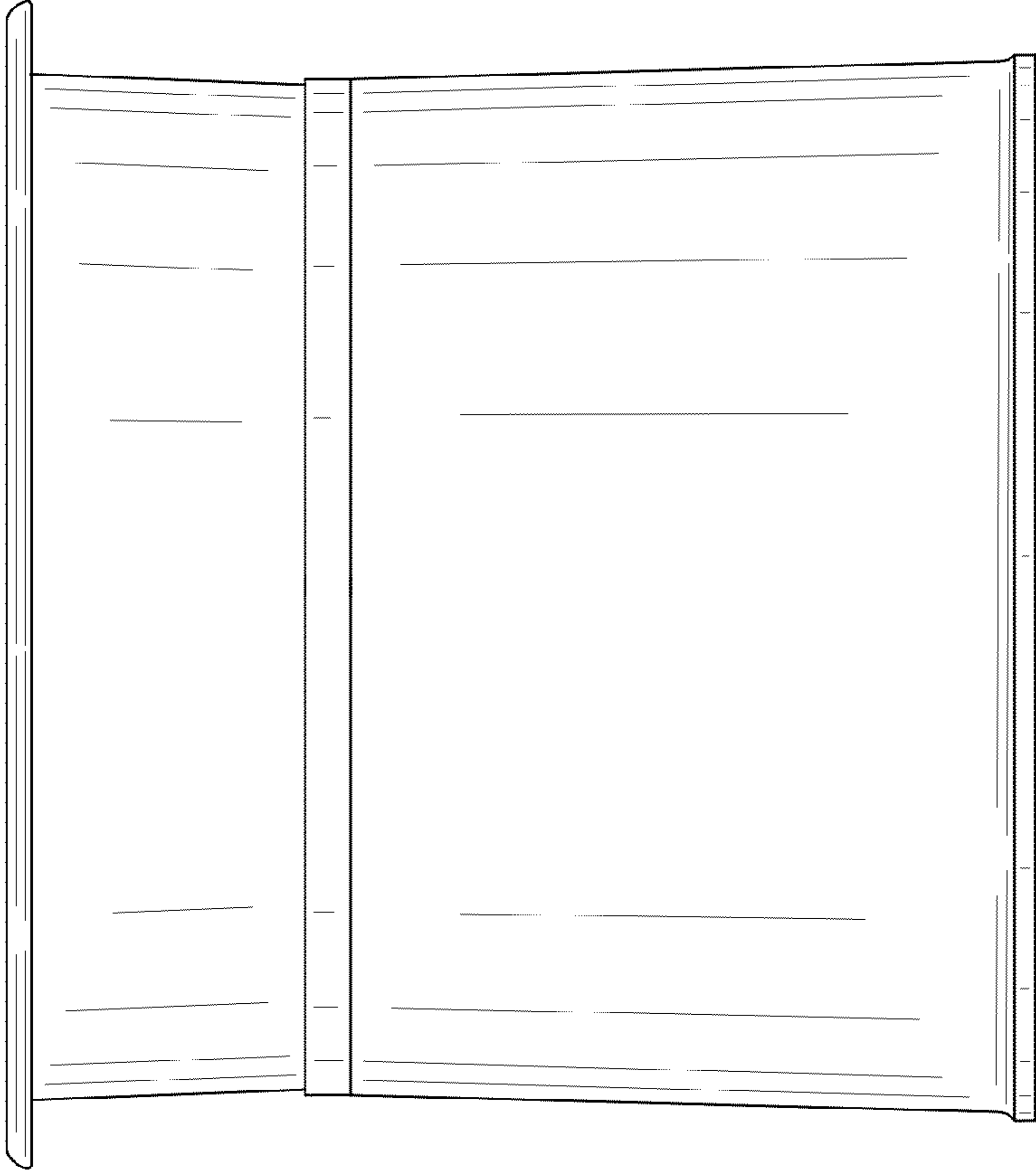


FIG. 5

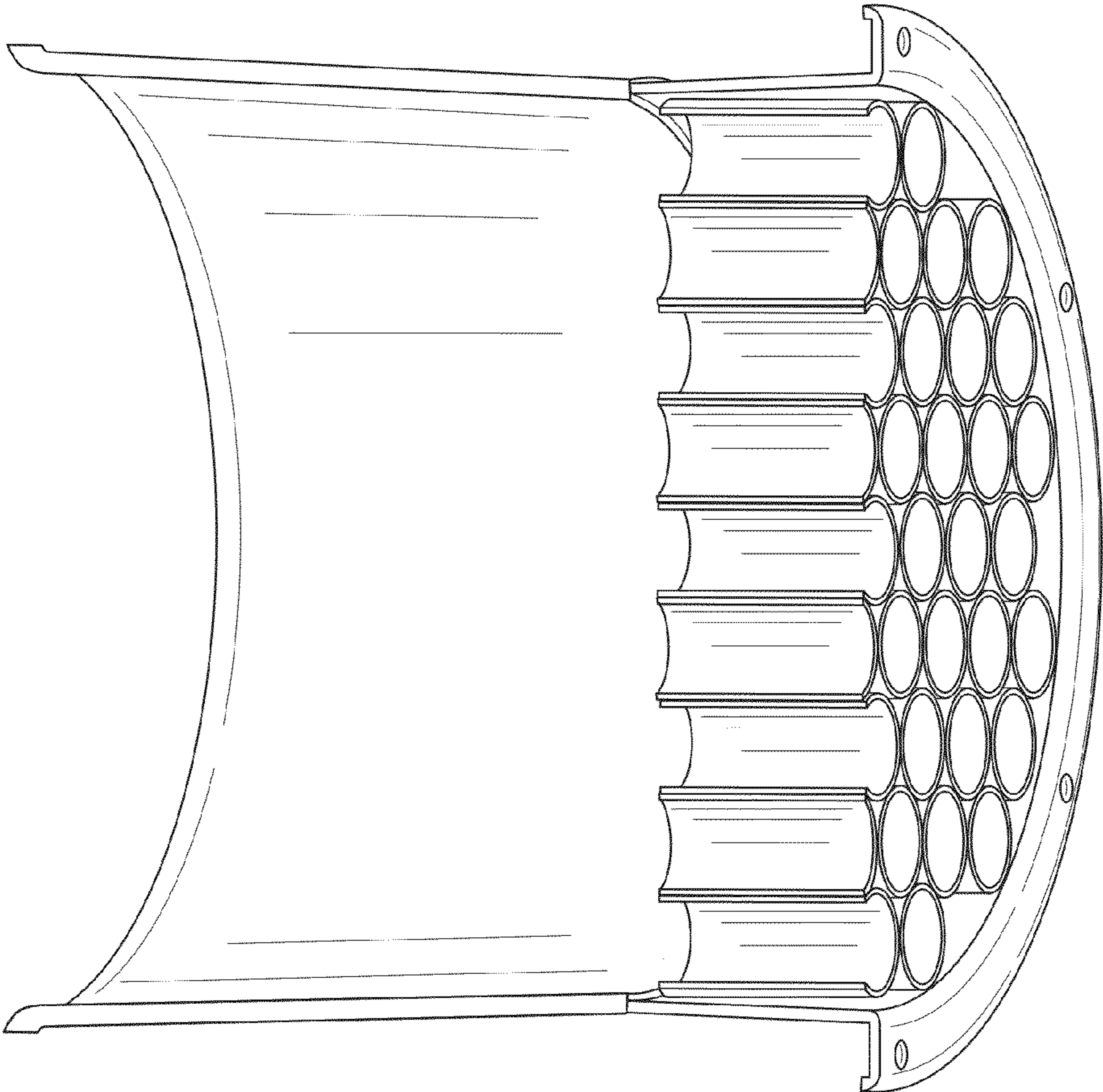


FIG. 6