



US00D708341S

(12) **United States Design Patent**
Ikegame et al.

(10) **Patent No.:** **US D708,341 S**
(45) **Date of Patent:** **** Jul. 1, 2014**

(54) **MEDICAL WORK TABLE**

(75) Inventors: **Haruka Ikegame**, Kanagawa (JP); **Koji Yoshida**, Kanagawa (JP)

(73) Assignee: **Fujifilm Corporation**, Tokyo (JP)

(**) Term: **14 Years**

(21) Appl. No.: **29/346,351**

(22) Filed: **Oct. 30, 2009**

(30) **Foreign Application Priority Data**

Apr. 30, 2009 (JP) 2009-009959

(51) **LOC (10) Cl.** **24-01**

(52) **U.S. Cl.**
USPC **D24/185**

(58) **Field of Classification Search**
USPC D24/107, 160, 164, 167, 169, 170, 176,
D24/185-186, 234, 158; D34/12-27;
D6/396, 436, 460; 600/368, 372, 481,
600/529, 544, 554, 437; 280/47.18, 47.26,
280/47.34, 47.35; D28/9; 604/154
See application file for complete search history.

(56) **References Cited**

U.S. PATENT DOCUMENTS

5,129,397	A *	7/1992	Jingu et al.	600/437
D337,822	S *	7/1993	Janke	D24/185
D354,353	S *	1/1995	Ishizuka et al.	D24/160
D423,671	S *	4/2000	Garito et al.	D24/185
D477,082	S *	7/2003	Bromley	D24/170
D477,083	S *	7/2003	Bromley	D24/170
D548,918	S *	8/2007	Nussberger et al.	D34/17
D553,324	S *	10/2007	Lieblein et al.	D34/14

D559,390	S *	1/2008	Diener et al.	D24/186
D588,272	S *	3/2009	Meiser	D24/185
D596,420	S *	7/2009	Yoshida	D6/396
D606,202	S *	12/2009	Banryu	D24/185
D612,561	S *	3/2010	Hunter et al.	D34/14
D613,866	S *	4/2010	Tanaka et al.	D24/185
D619,264	S *	7/2010	Livengood et al.	D24/185
D632,796	S *	2/2011	Ross et al.	D24/185
D632,797	S *	2/2011	Ross et al.	D24/185
D648,855	S *	11/2011	Smith et al.	D24/158
2006/0106347	A1 *	5/2006	Fago et al.	604/154

* cited by examiner

Primary Examiner — T. Chase Nelson

Assistant Examiner — Mark Cavanna

(74) *Attorney, Agent, or Firm* — Young & Thompson

(57) **CLAIM**

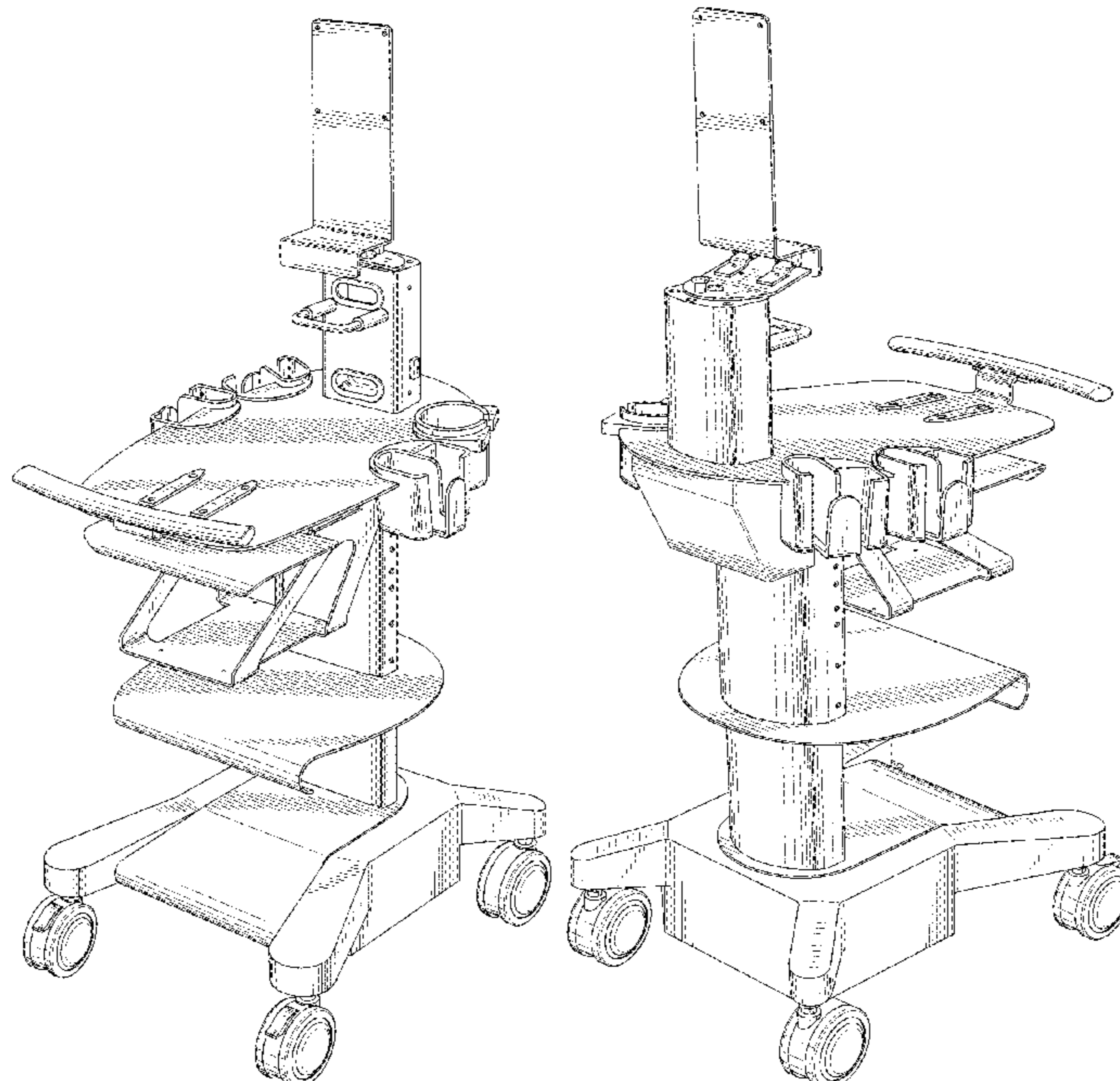
The ornamental design for a medical work table, as shown and described.

DESCRIPTION

FIG. 1 is a top, front and side perspective view of a medical work table showing our new design;
FIG. 2 is a top, rear and side perspective view thereof;
FIG. 3 is a front elevational view thereof;
FIG. 4 is a rear elevational view thereof;
FIG. 5 is a top plan view thereof;
FIG. 6 is a bottom plan view thereof;
FIG. 7 is a left side elevational view thereof;
FIG. 8 is a right side elevational view thereof; and,
FIG. 9 is a top, front and side perspective view thereof in a manner of use.

The broken lines are included for the purpose of illustrating unclaimed portions of the medical work table and form no part of the claimed design.

1 Claim, 8 Drawing Sheets



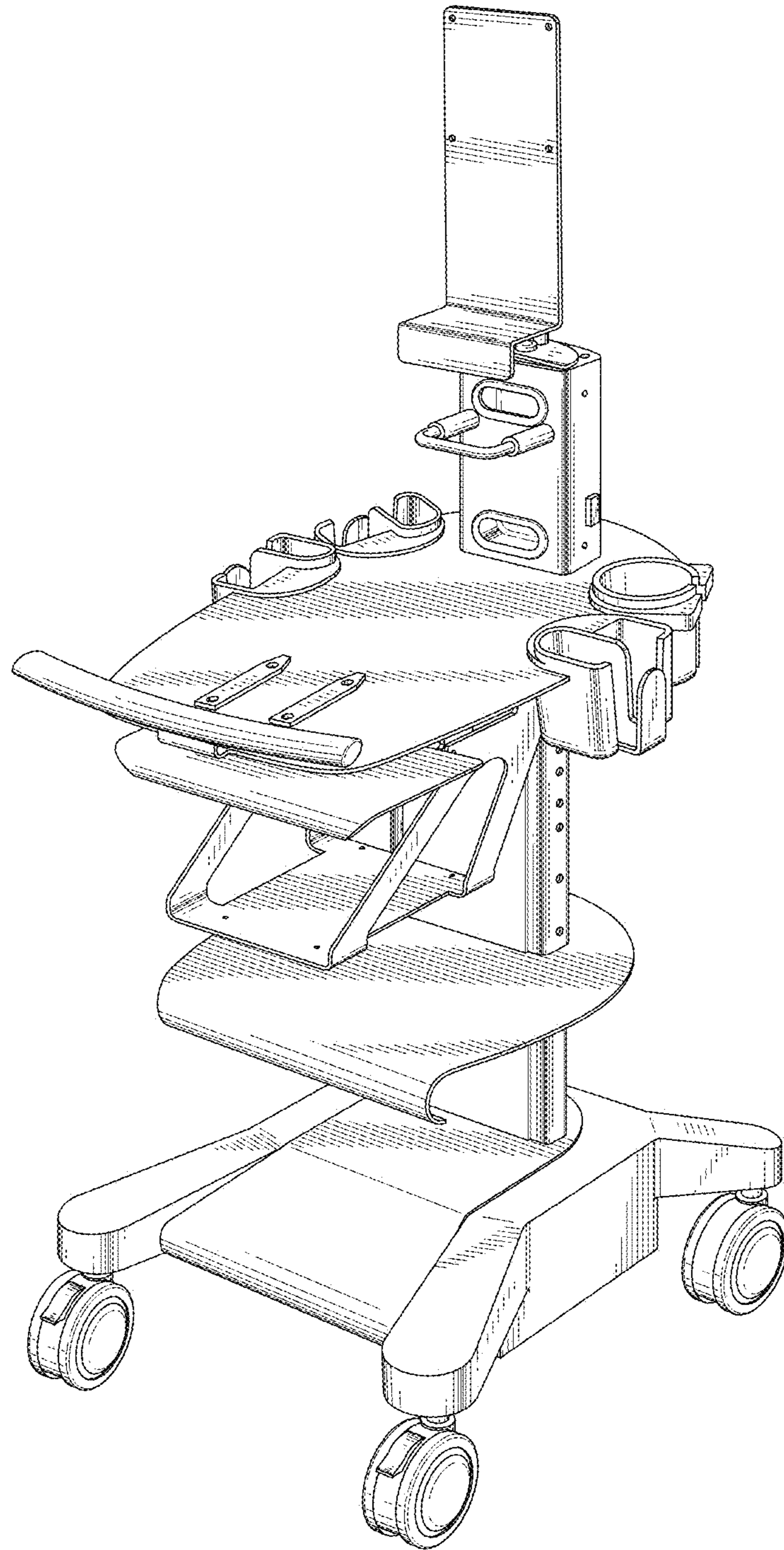


FIG. 1

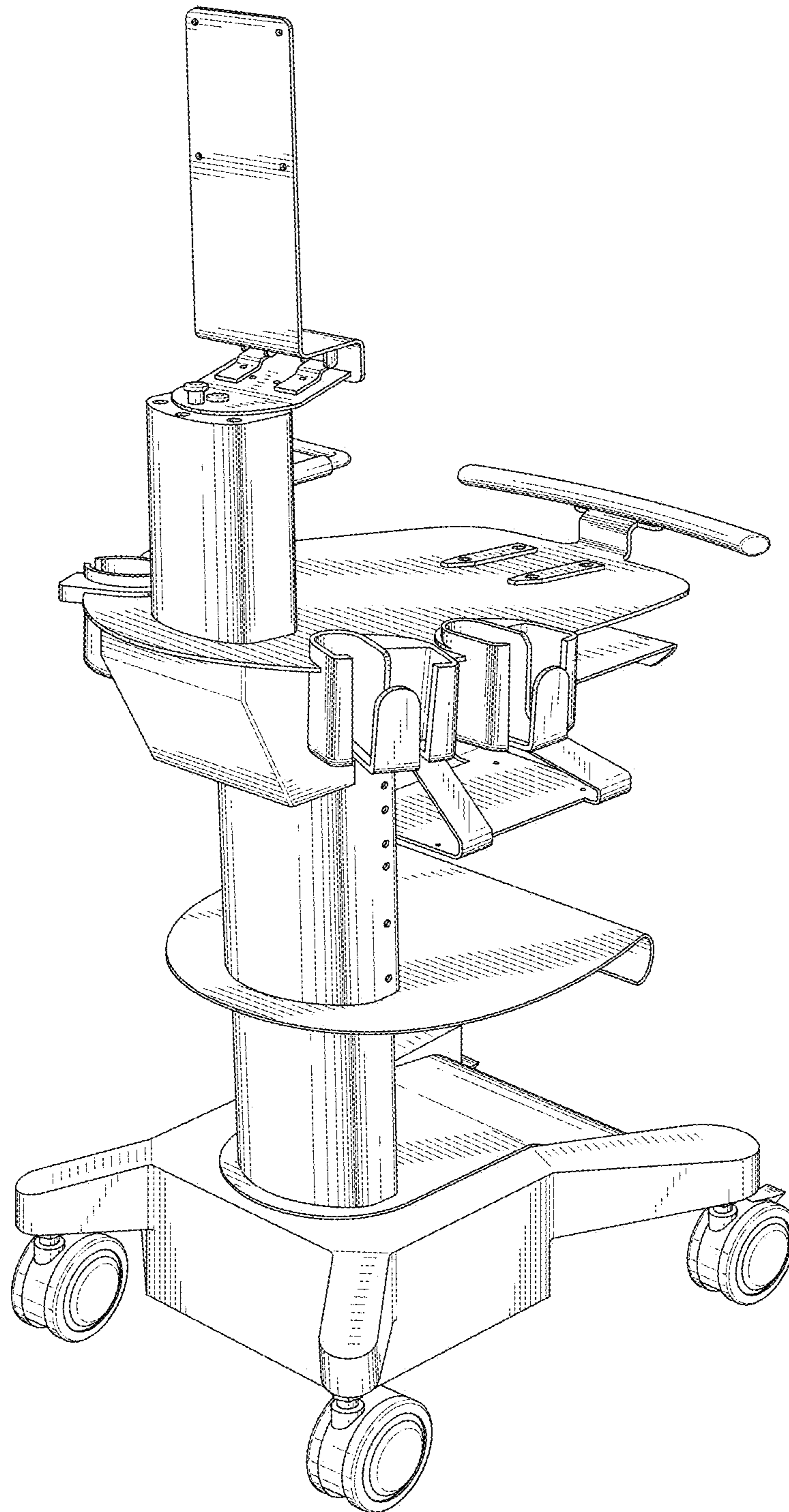


FIG. 2

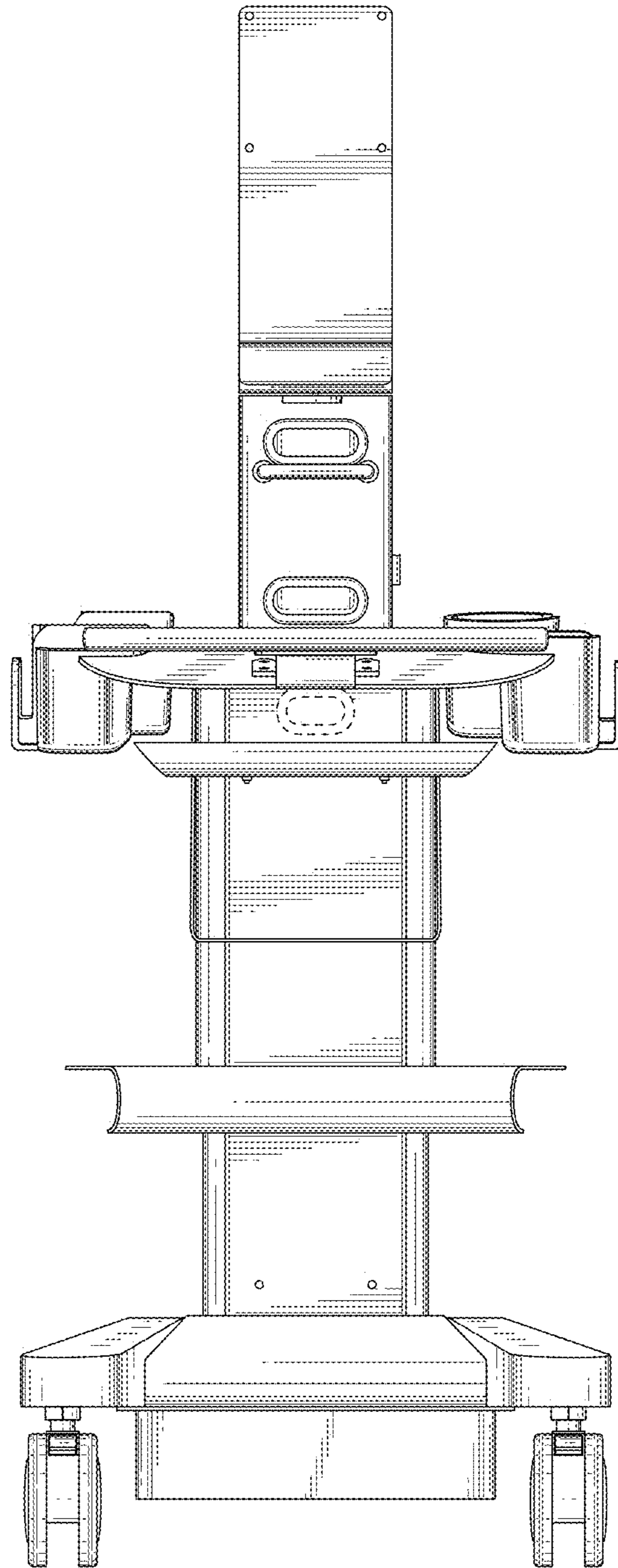


FIG. 3

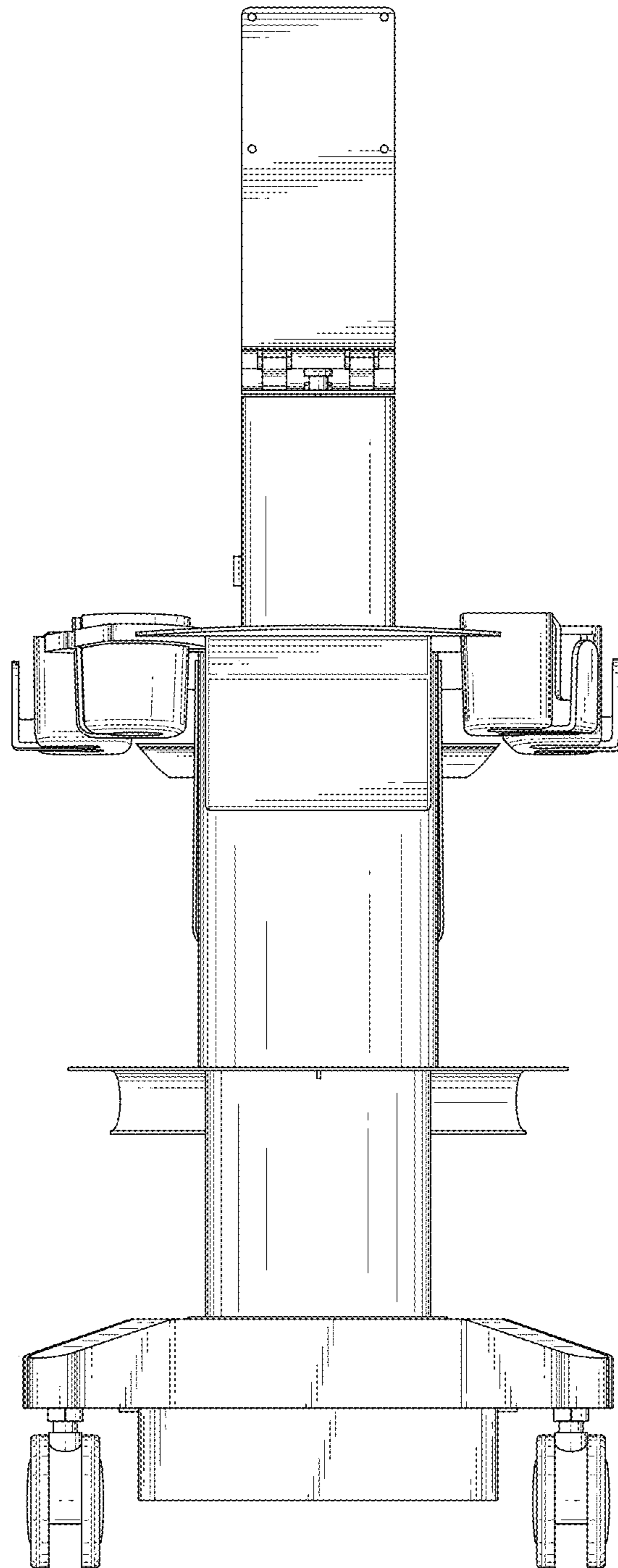


FIG. 4

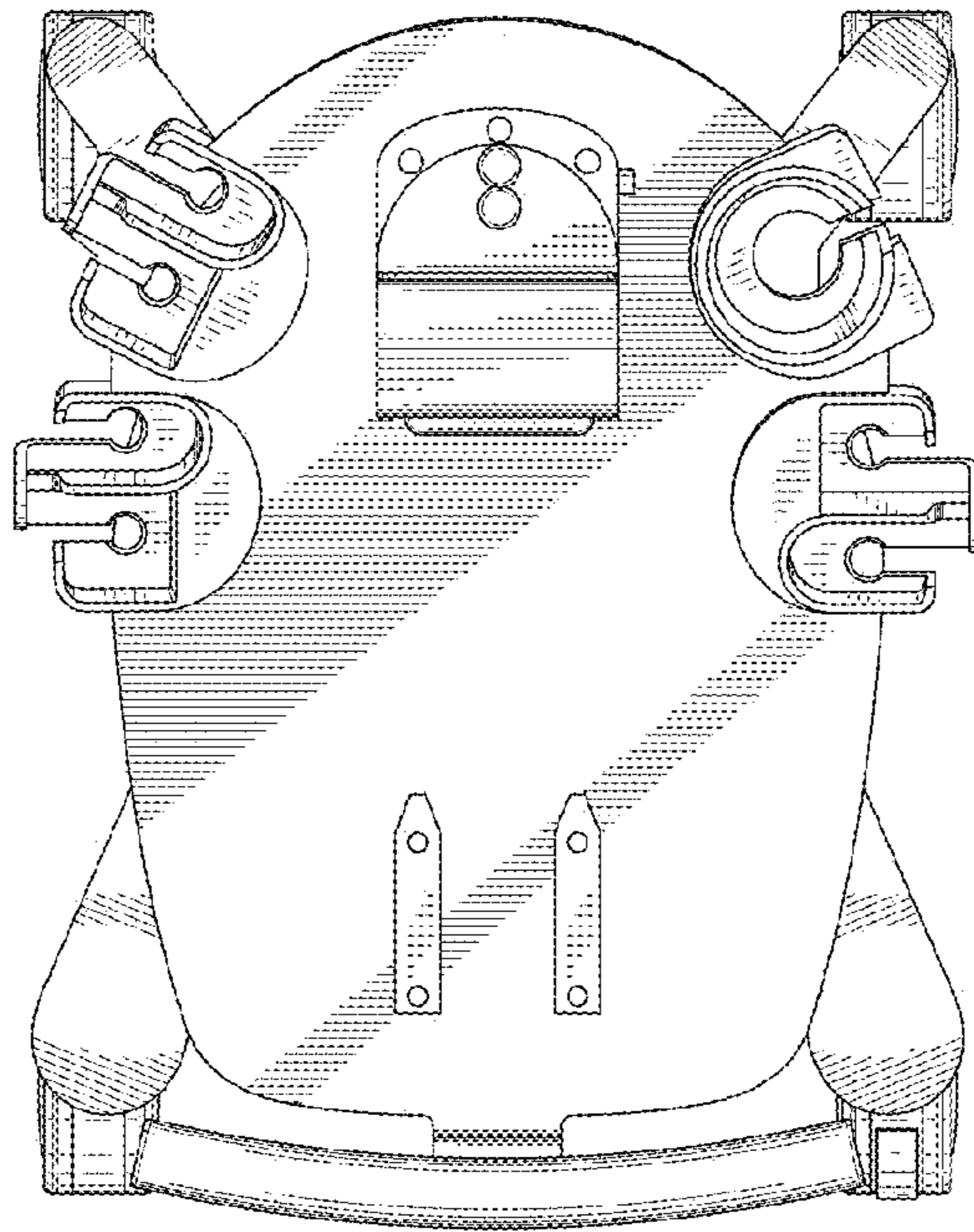


FIG. 5

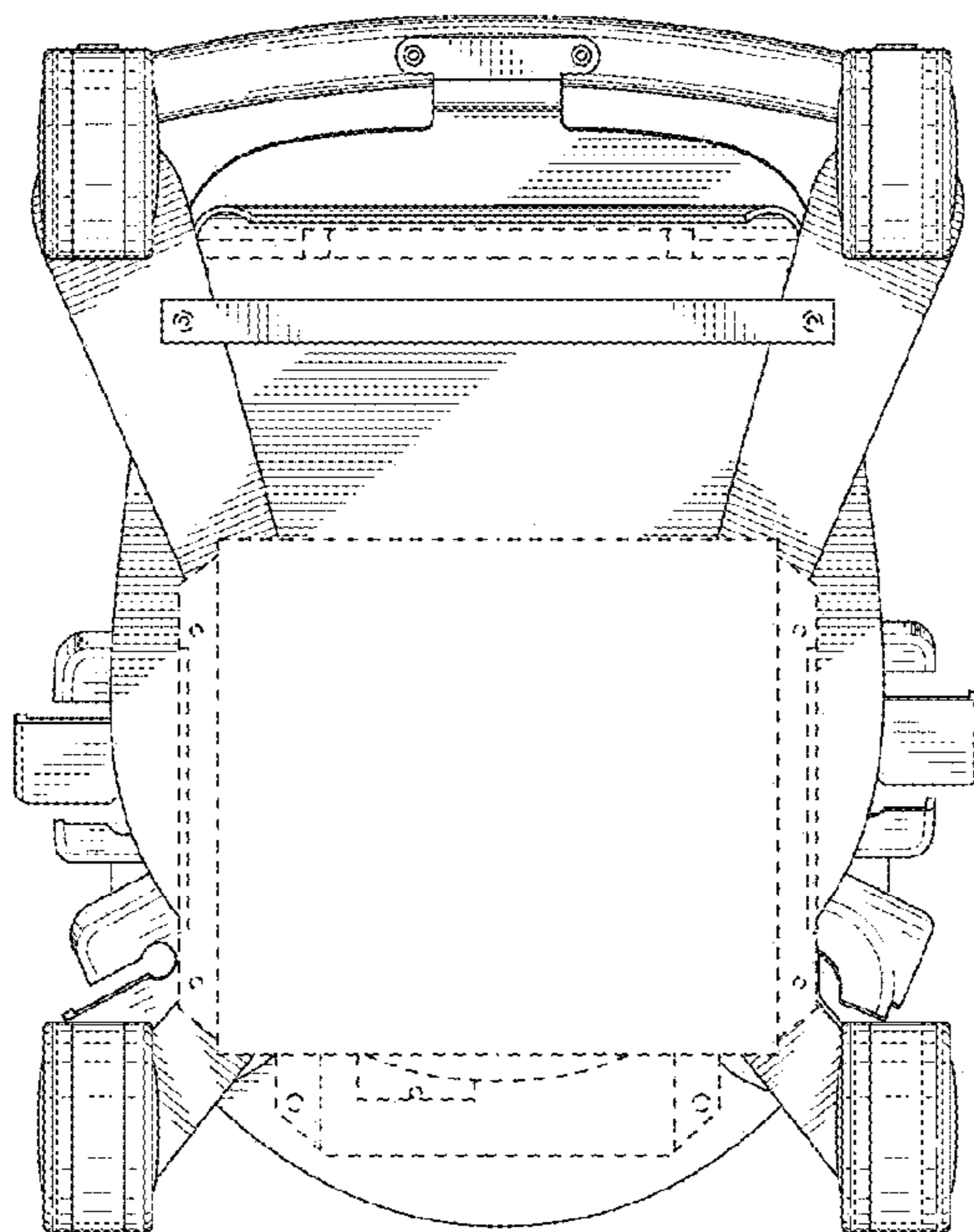


FIG. 6

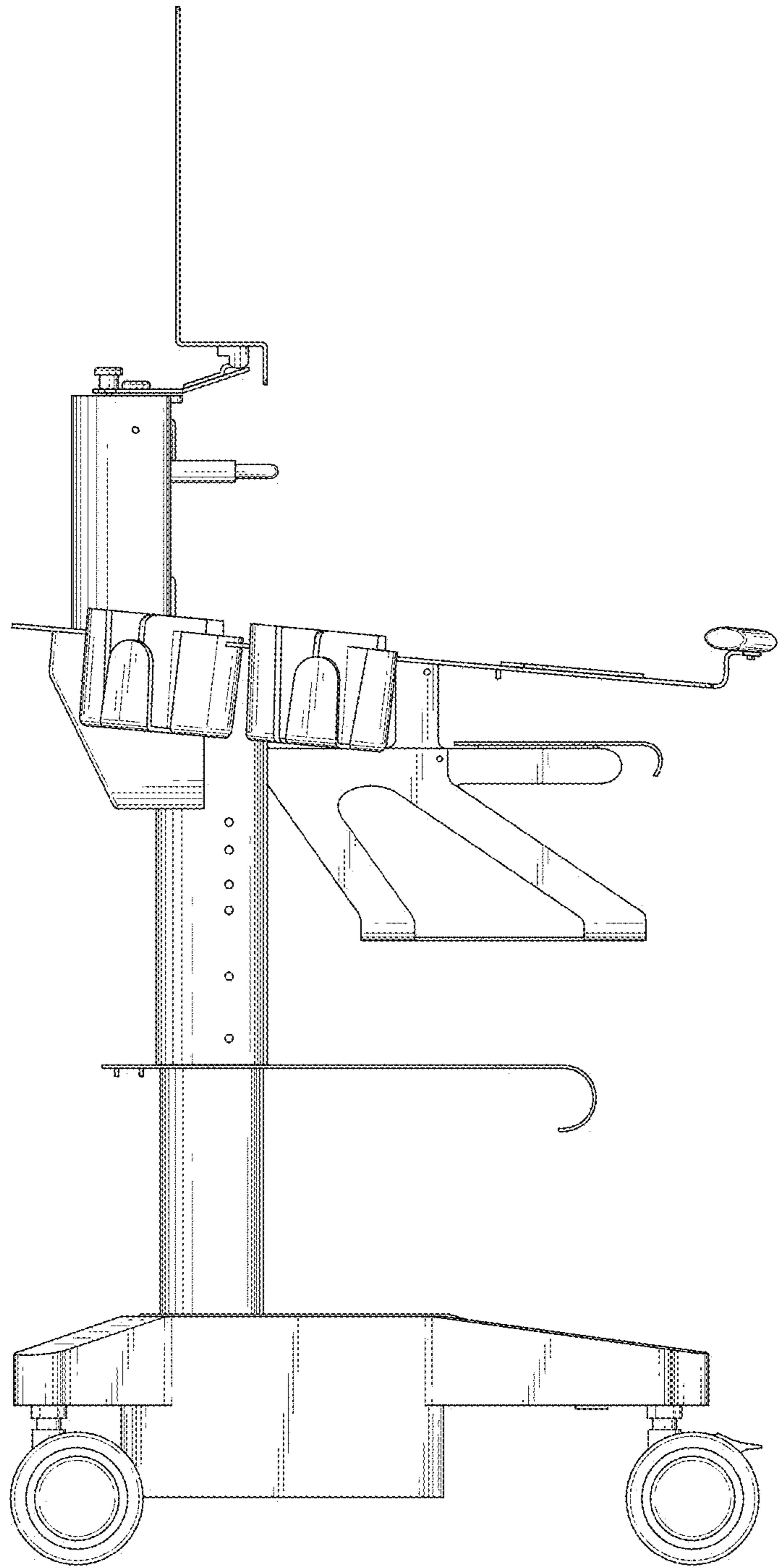


FIG. 7

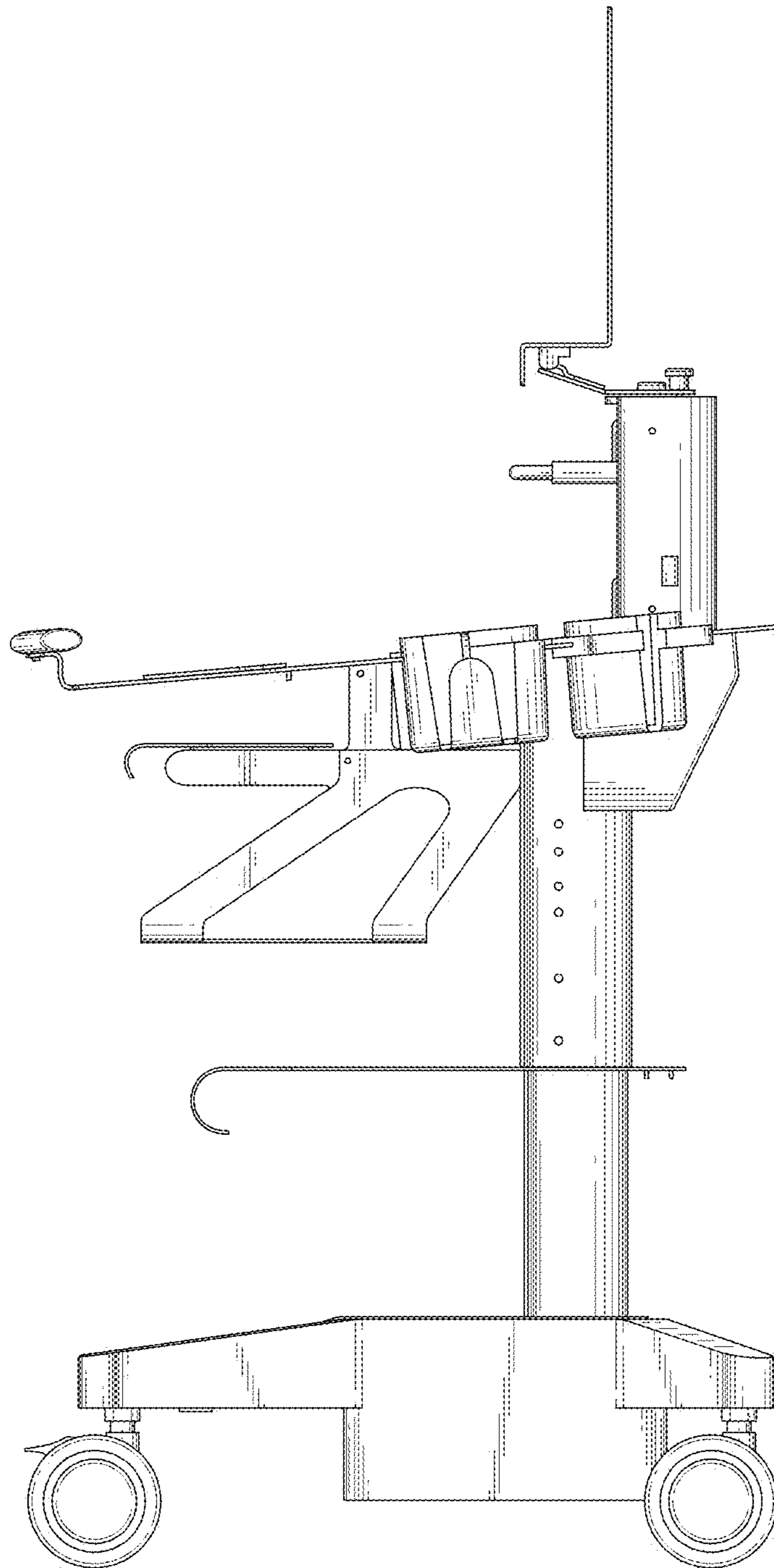


FIG. 8

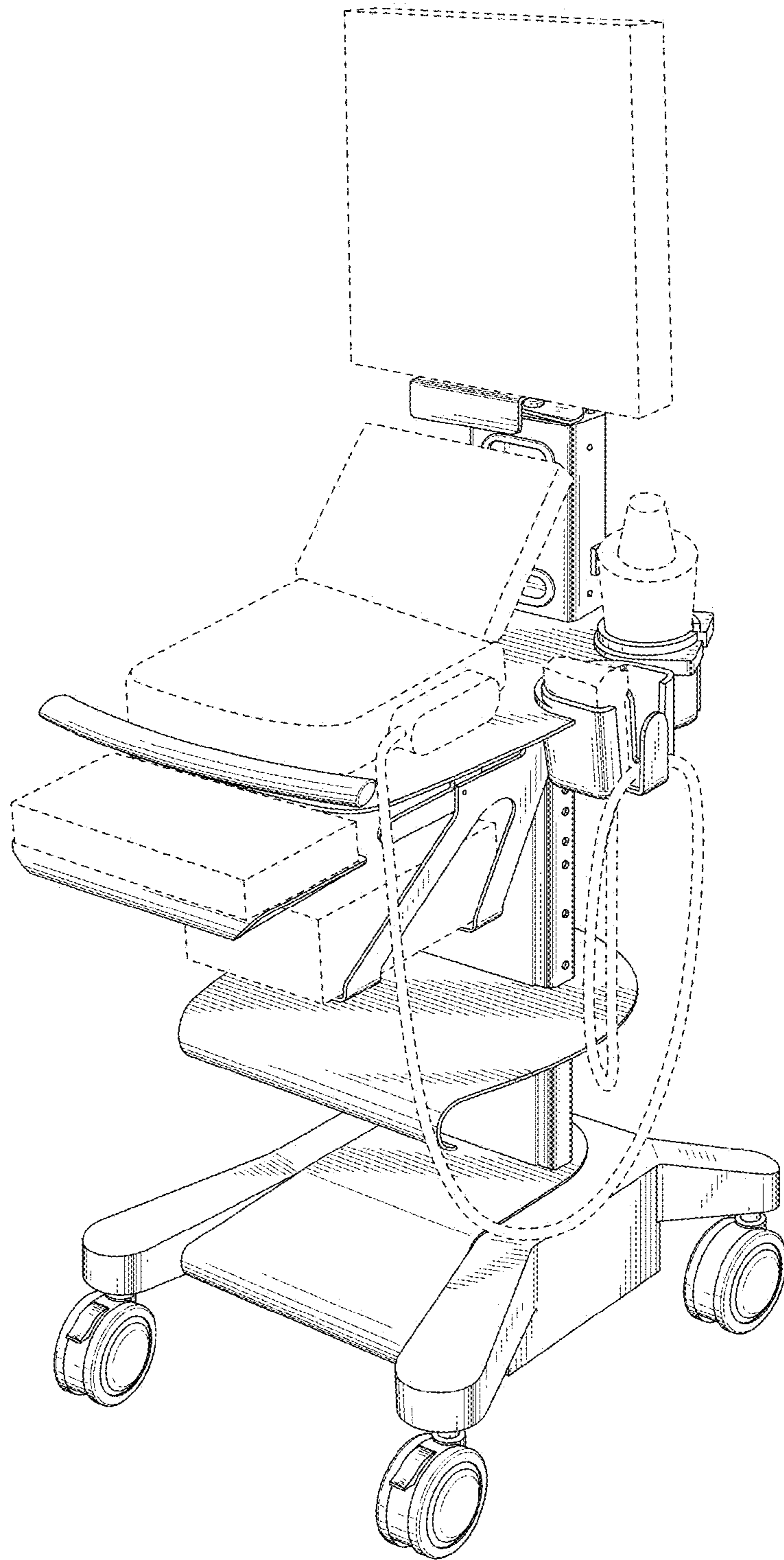


FIG. 9