



US00D708336S

(12) **United States Design Patent**
Mattiuzzo

(10) **Patent No.:** **US D708,336 S**

(45) **Date of Patent:** **** Jul. 1, 2014**

(54) **X-RAY MACHINE**

(71) Applicant: **Giulio Mattiuzzo**, Imola (IT)

(72) Inventor: **Giulio Mattiuzzo**, Imola (IT)

(73) Assignee: **Cefla Societa' Cooperativa**, Imola (IT)

(**) Term: **14 Years**

(21) Appl. No.: **29/476,727**

(22) Filed: **Dec. 16, 2013**

Related U.S. Application Data

(62) Division of application No. 29/461,221, filed on Jul. 19, 2013, now Pat. No. Des. 704,340.

Foreign Application Priority Data

Apr. 12, 2013 (EM) 002219170-0003

Apr. 12, 2013 (EM) 002219170-0004

(51) **LOC (10) Cl.** **24-01**

(52) **U.S. Cl.**
USPC **D24/158**

(58) **Field of Classification Search**
USPC D24/158-161, 185, 186; 378/4, 21-27,
378/38, 40, 102, 196-198

See application file for complete search history.

(56) **References Cited**

U.S. PATENT DOCUMENTS

D323,892	S	*	2/1992	Spoljaric	D24/158
D478,171	S	*	8/2003	Malmén	D24/158
D571,471	S	*	6/2008	Stockl	D24/158
D604,415	S	*	11/2009	Otsuka et al.	D24/158
7,672,425	B2	*	3/2010	Rotondo et al.	378/39
D639,947	S	*	6/2011	Choi et al.	D24/158
8,251,583	B2	*	8/2012	Cekov et al.	378/38
2012/0243762	A1	*	9/2012	Kanerva et al.	378/38
2013/0089177	A1	*	4/2013	Baldini et al.	378/39

* cited by examiner

Primary Examiner — Anhdao Doan

(74) *Attorney, Agent, or Firm* — Themis Law

(57) **CLAIM**

The ornamental design for an X-ray machine, as shown.

DESCRIPTION

FIG. 1 is a front perspective view of the X-ray machine showing my new design;

FIG. 2 is a front elevational view thereof;

FIG. 3 is a rear elevational view thereof;

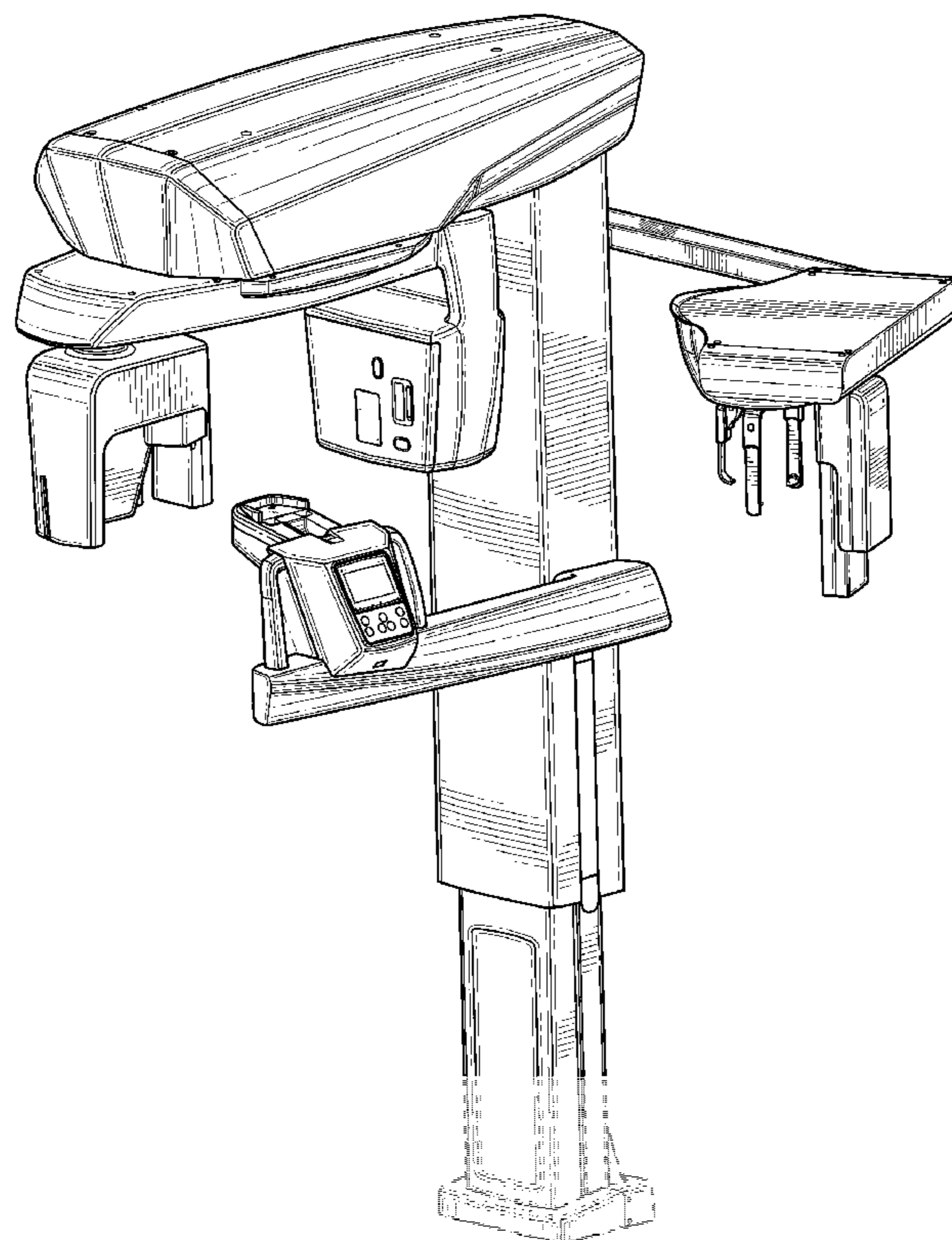
FIG. 4 is a right side elevational view thereof;

FIG. 5 is a left side elevational view thereof;

FIG. 6 is a top plan view thereof; and,

FIG. 7 is a bottom plan view thereof.

1 Claim, 7 Drawing Sheets



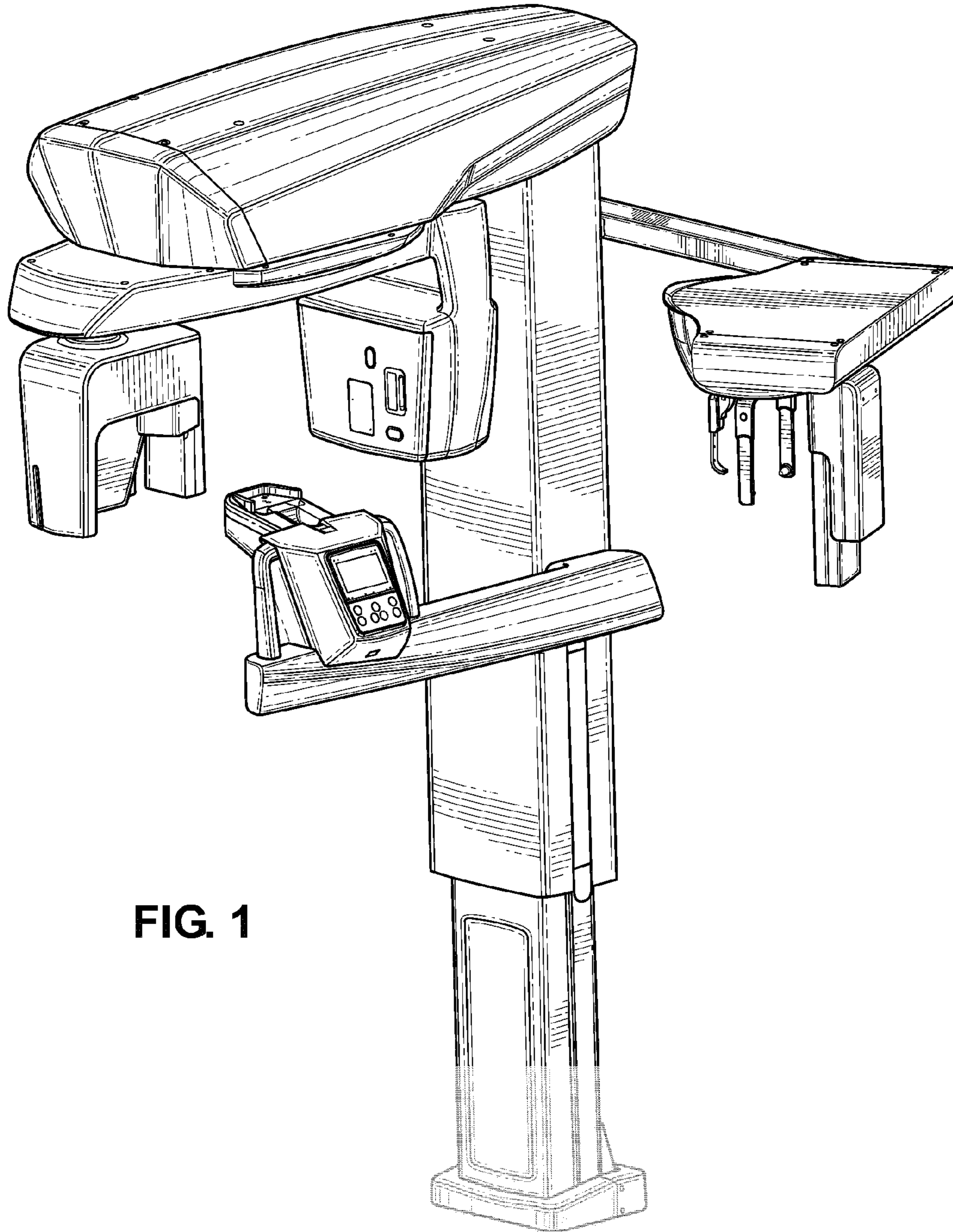


FIG. 1

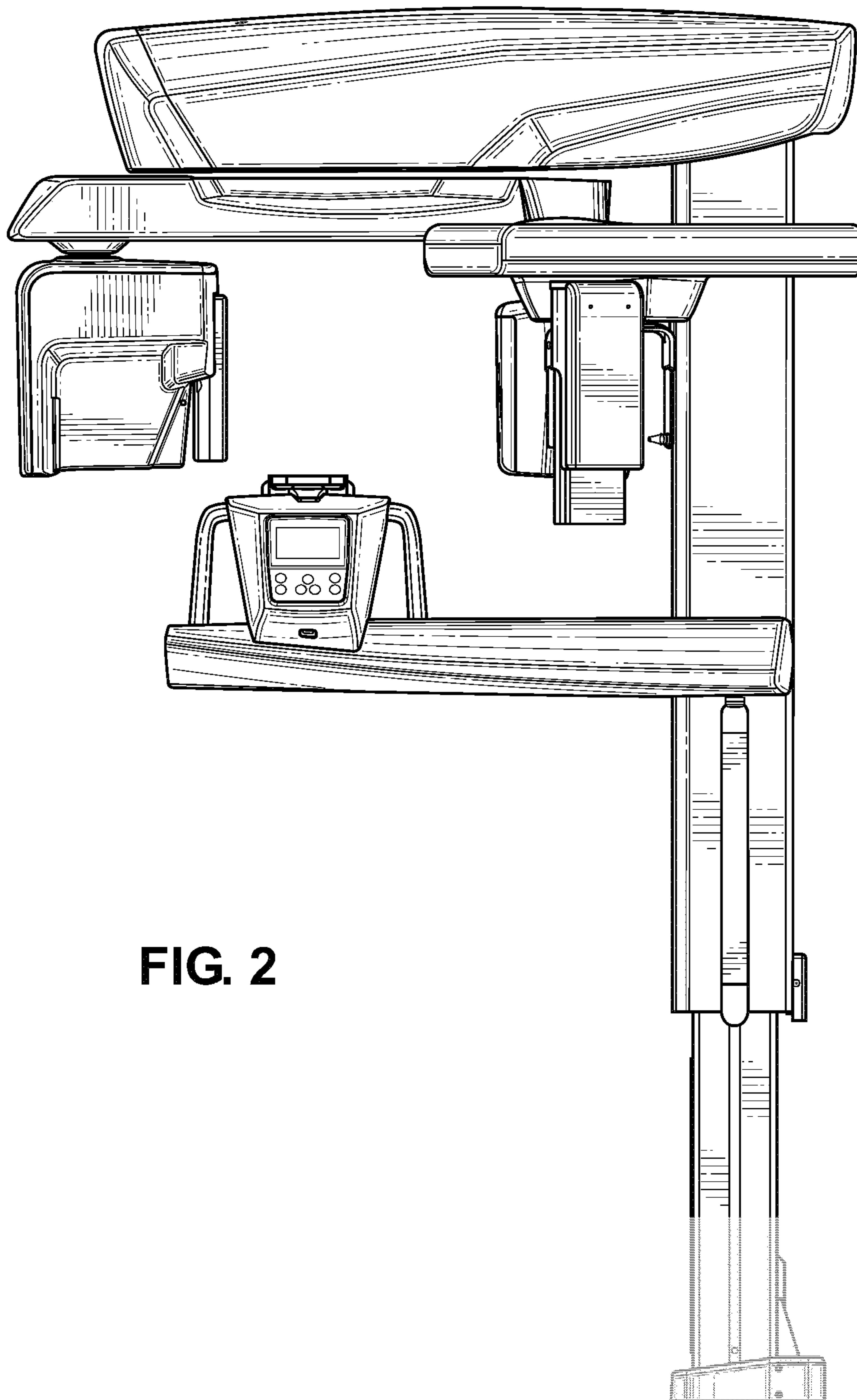


FIG. 2

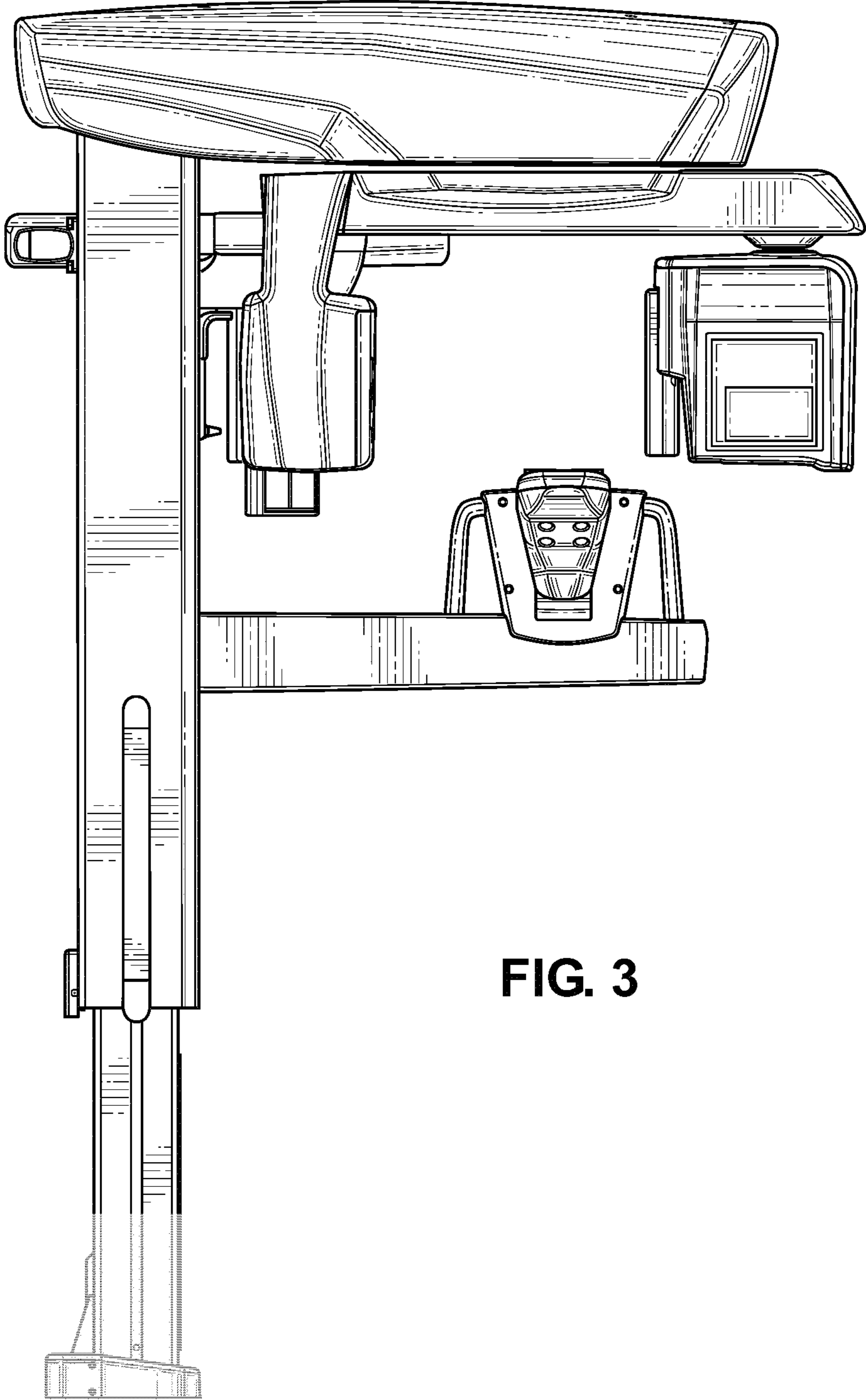


FIG. 3

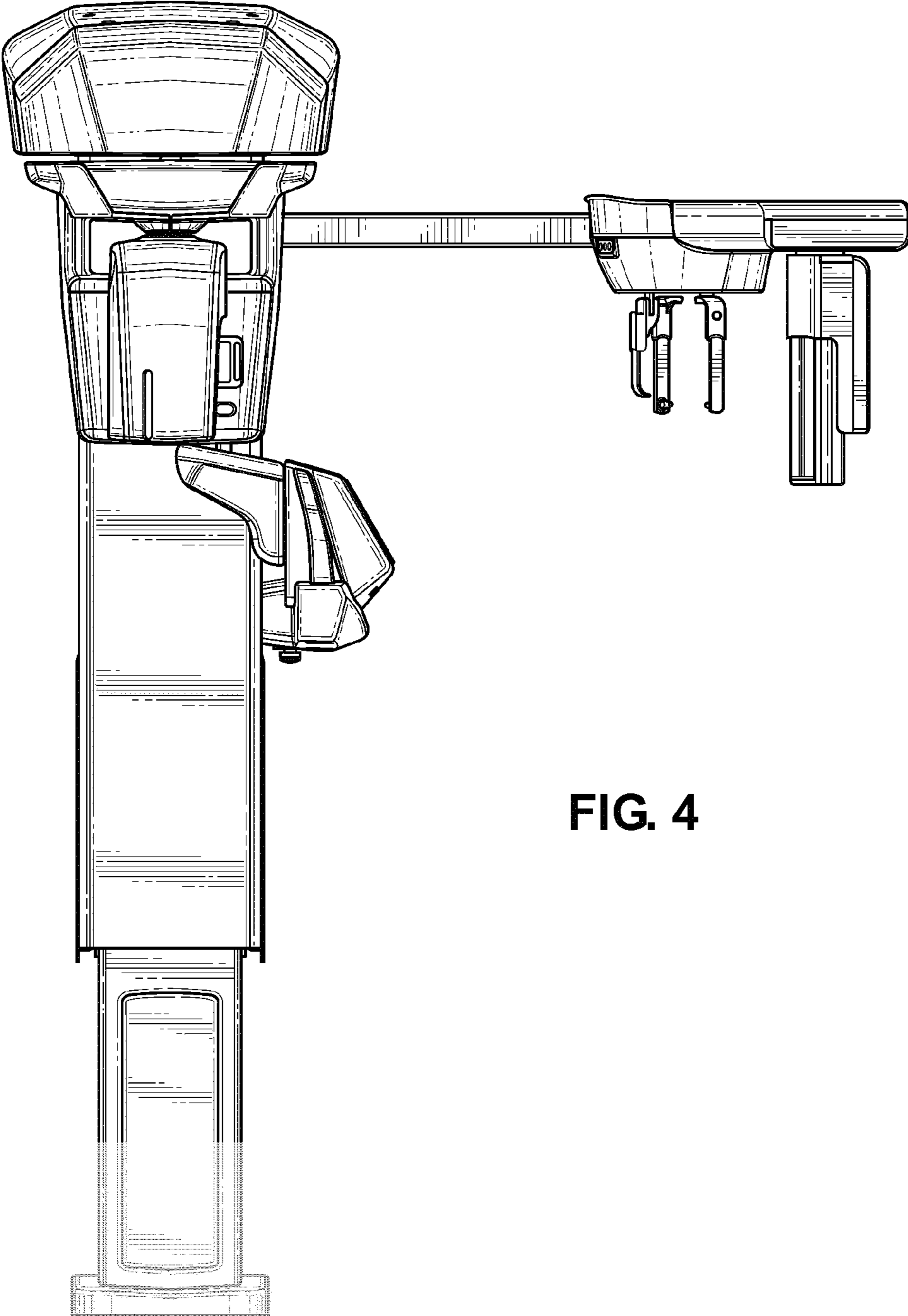


FIG. 4

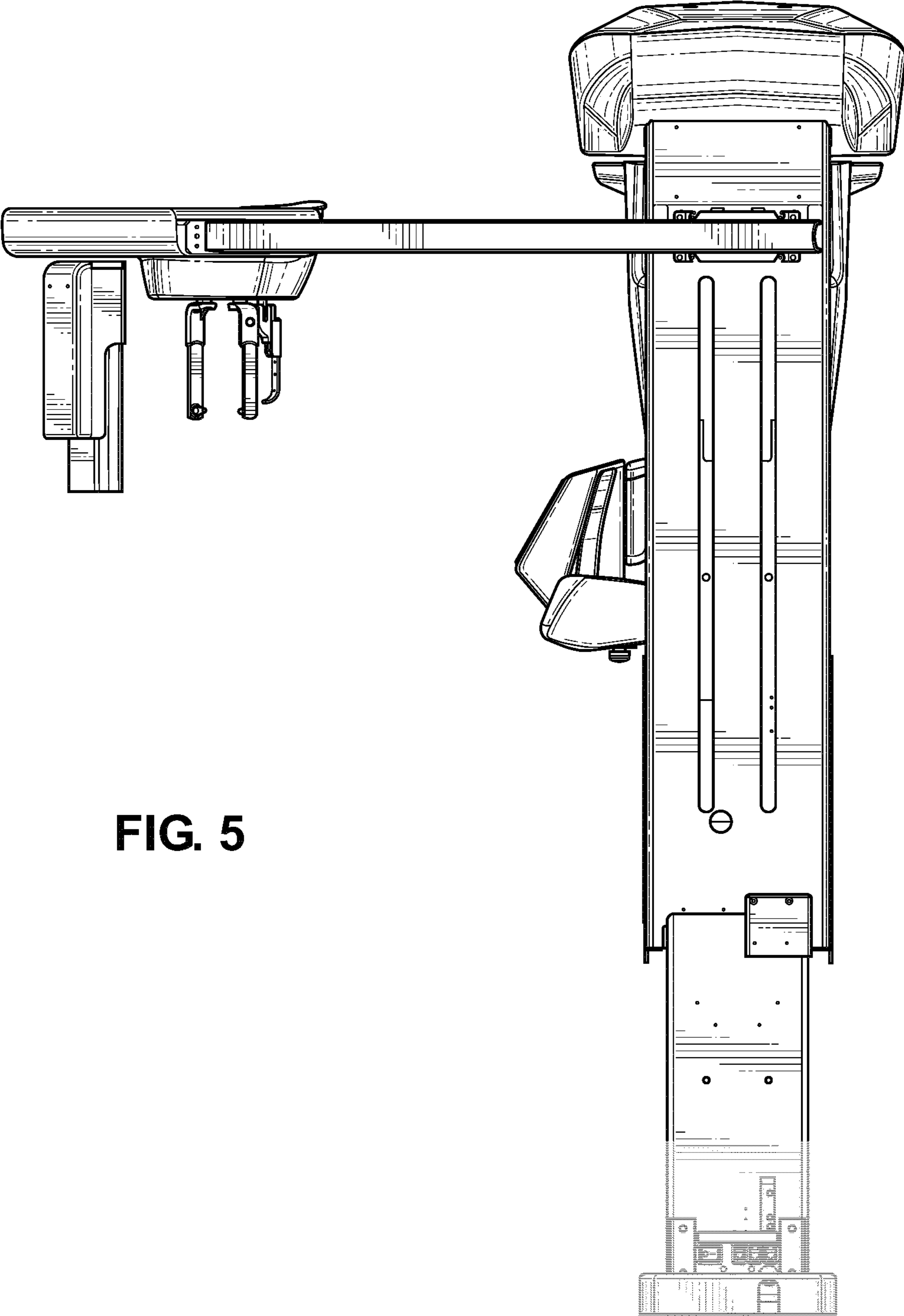


FIG. 5

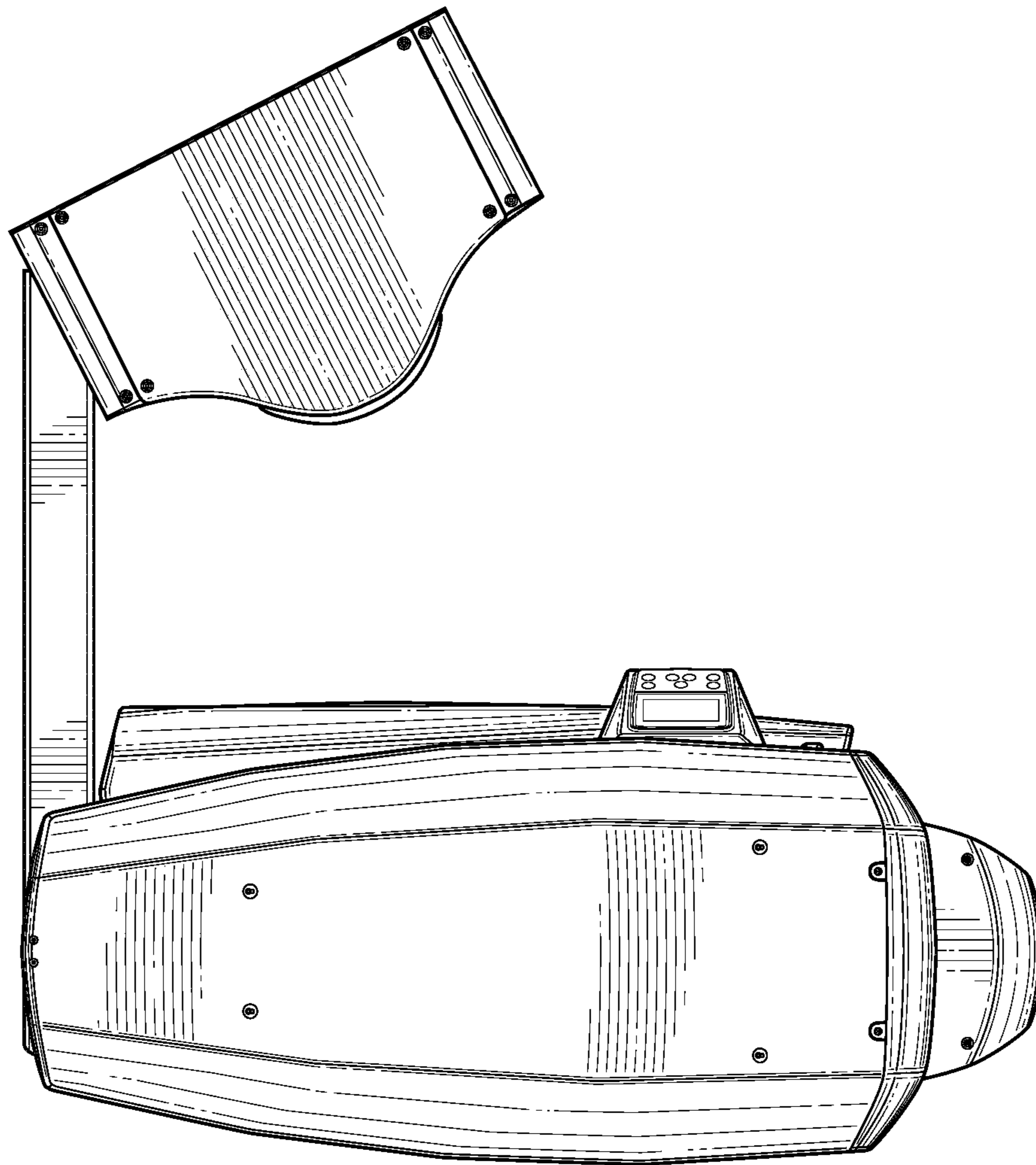


FIG. 6

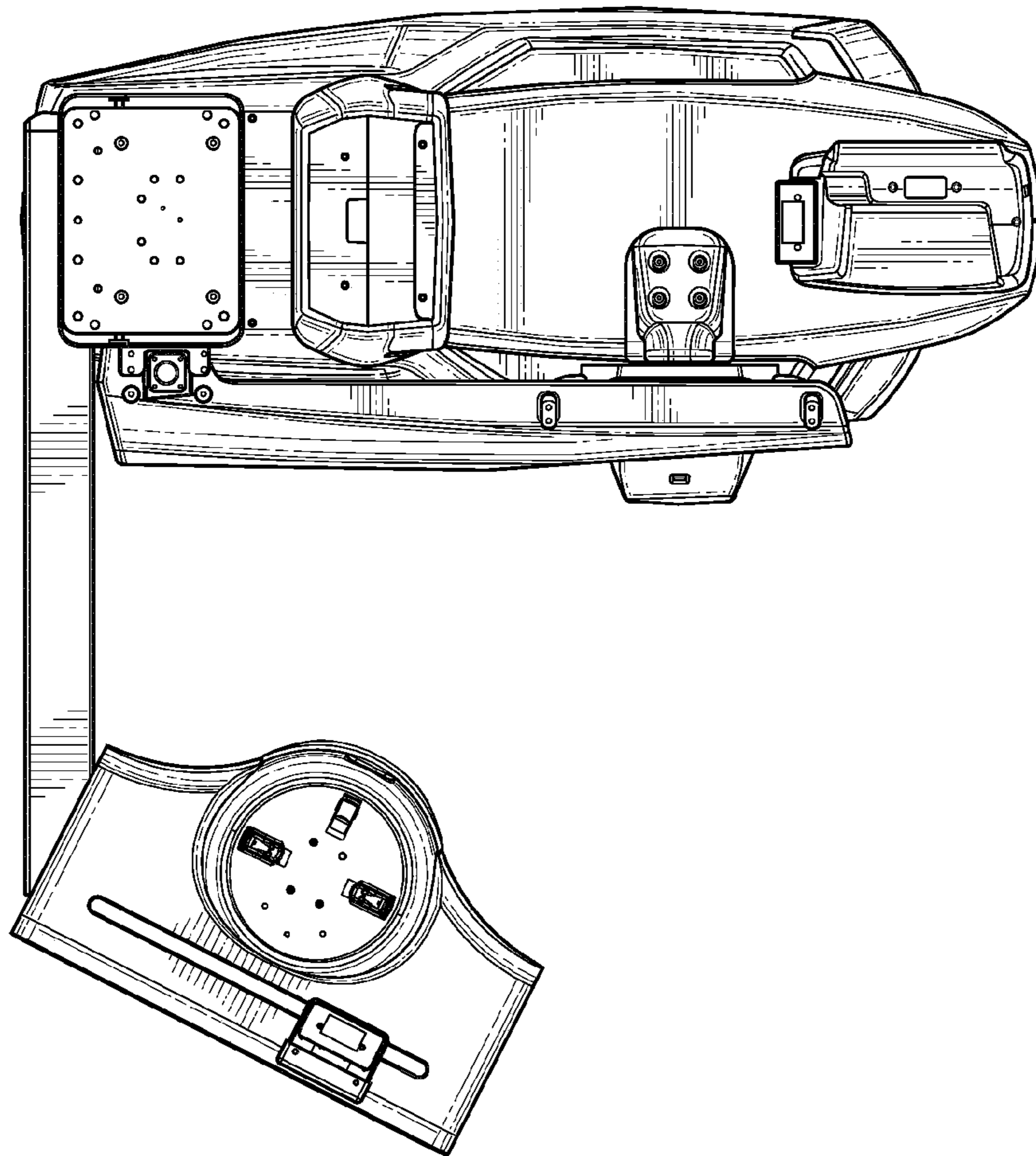


FIG. 7