



US00D708333S

(12) **United States Design Patent**
Kim

(10) **Patent No.:** **US D708,333 S**

(45) **Date of Patent:** **** Jul. 1, 2014**

(54) **KEYBOARD TRAY FOR A MEDICAL
ULTRASOUND DEVICE**

(71) Applicant: **Samsung Electronics Co., Ltd.,**
Suwon-si (KR)

(72) Inventor: **Yun-Su Kim, Seoul (KR)**

(73) Assignee: **Samsung Electronics Co., Ltd. (KR)**

(**) Term: **14 Years**

(21) Appl. No.: **29/437,924**

(22) Filed: **Nov. 21, 2012**

Related U.S. Application Data

(63) Continuation of application No. 29/426,898, filed on
Jul. 11, 2012.

Foreign Application Priority Data

Jan. 20, 2012 (KR) 30-2012-0003158

(51) **LOC (10) Cl.** **24-00**

(52) **U.S. Cl.**
USPC **D24/158; D24/185**

(58) **Field of Classification Search**
USPC D24/177, 182, 183, 184, 185, 186, 144,
D24/160, 167-169, 172, 200, 158, 164, 199,
D24/226, 230, 231; D34/12, 14; 312/22,
312/109, 209, 223.1, 286, 249.8, 249.12;
248/282.1; 600/437, 443, 459

See application file for complete search history.

(56) **References Cited**

U.S. PATENT DOCUMENTS

D395,085	S	*	6/1998	Kenley et al.	D24/169
D454,954	S	*	3/2002	Cannon et al.	D24/160
D467,001	S	*	12/2002	Buczek et al.	D24/172
D492,034	S	*	6/2004	Cruz et al.	D24/169
D509,900	S	*	9/2005	Barnes et al.	D24/160
D544,962	S	*	6/2007	Diener et al.	D24/186
D648,855	S	*	11/2011	Smith et al.	D24/158
D650,482	S	*	12/2011	Kim et al.	D24/158
D696,783	S	*	12/2013	Chung et al.	D24/185
2011/0152691	A1	*	6/2011	Ikeda et al.	600/459

* cited by examiner

Primary Examiner — Robert M Spear

Assistant Examiner — Rhea Shields

(74) *Attorney, Agent, or Firm* — Cantor Colburn LLP

(57) **CLAIM**

The ornamental design for an keyboard tray for a medical
ultrasound device, as shown and described.

DESCRIPTION

FIG. 1 is a perspective view of an keyboard tray for a medical
ultrasound device showing my new design;
FIG. 2 is a front view thereof;
FIG. 3 is a rear view thereof;
FIG. 4 is a left side view thereof;
FIG. 5 is a right side view thereof;
FIG. 6 is a top plan view thereof;
FIG. 7 is a bottom plan view thereof; and,
FIG. 8 is a perspective view of the keyboard tray for a medical
ultrasound device shown in a closed position thereof.
In the drawings, the broken lines depict environmental sub-
ject matter only and form no part of the claimed design.

1 Claim, 8 Drawing Sheets

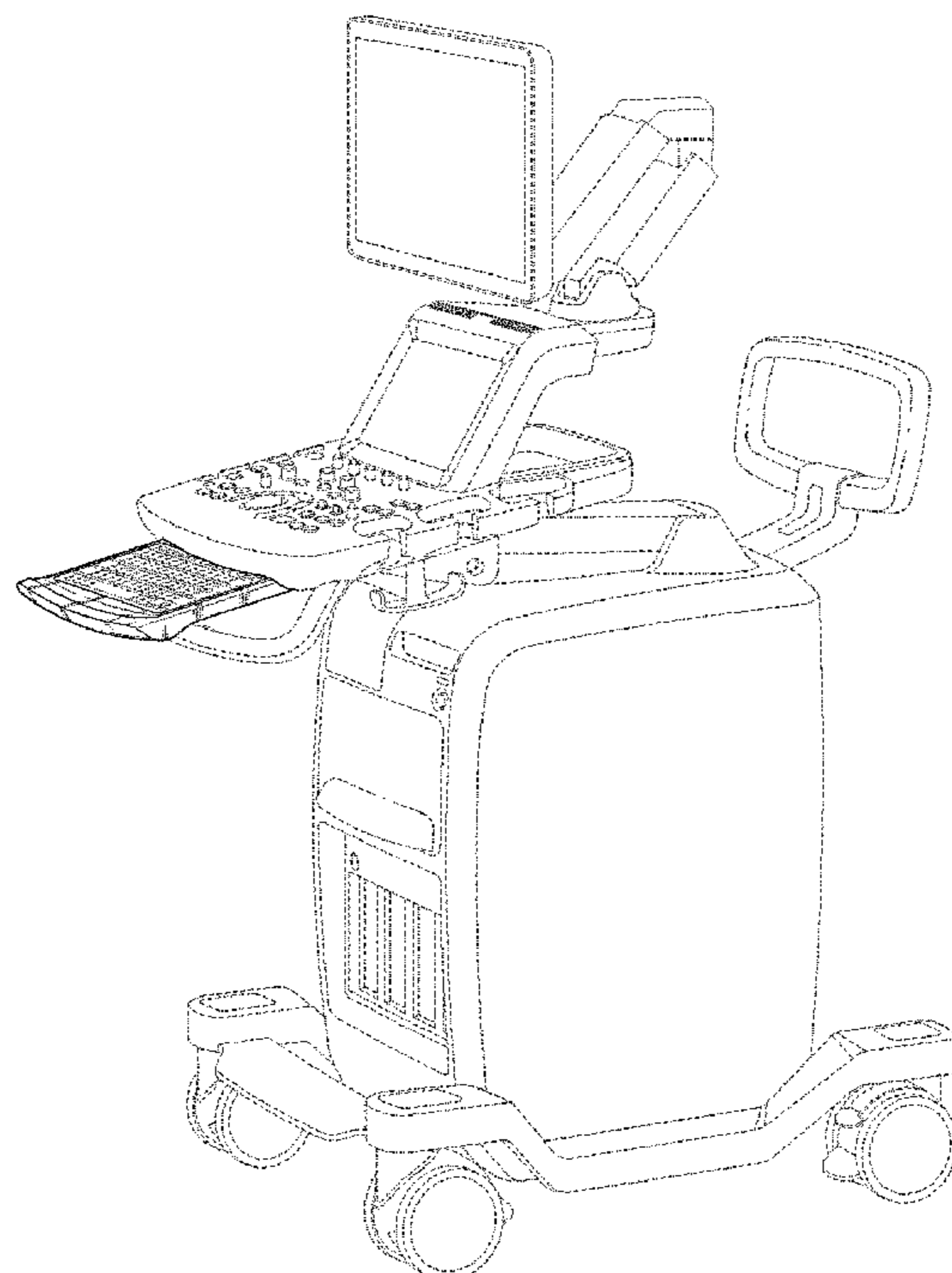


FIG. 1

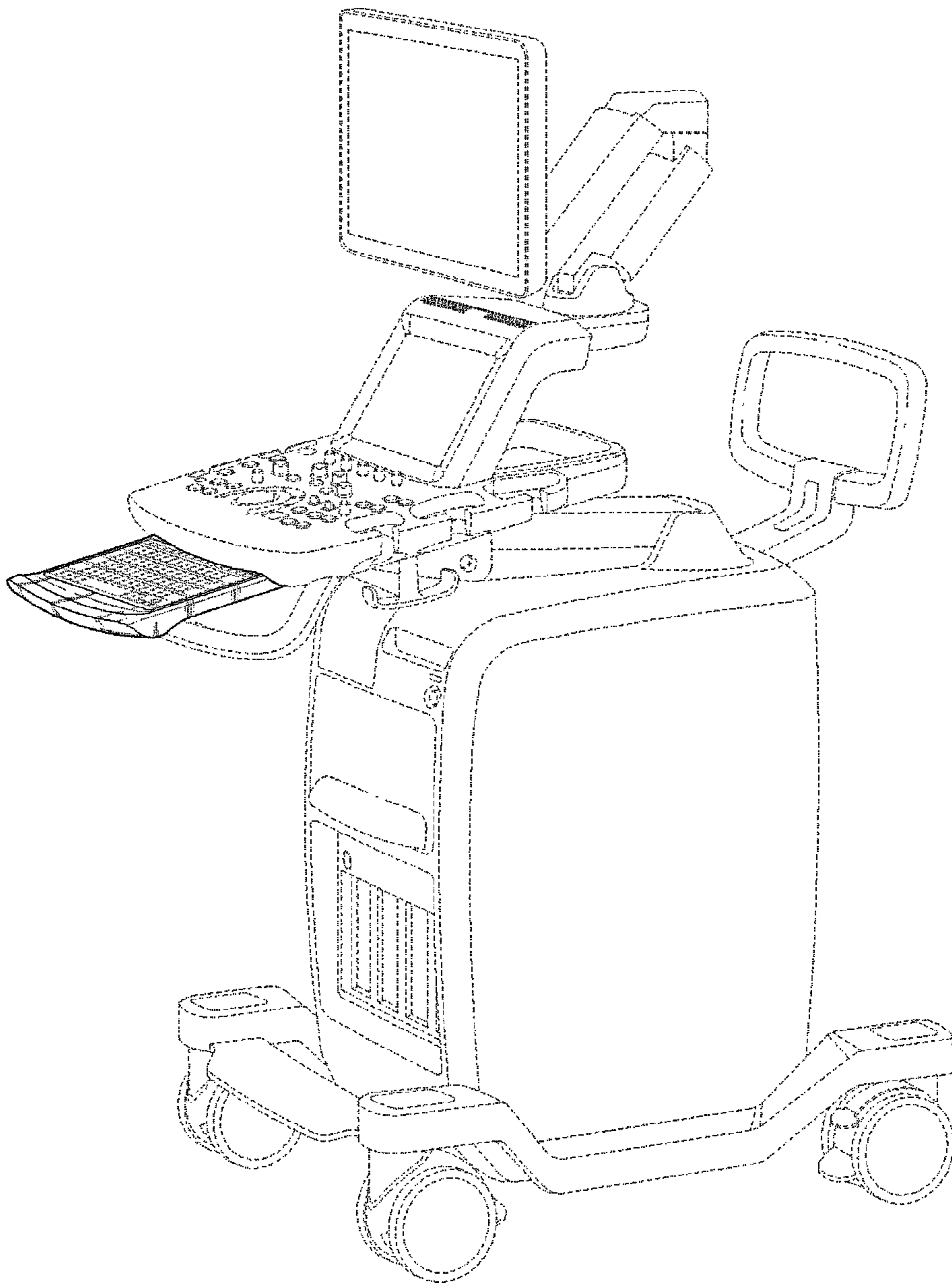


FIG.2

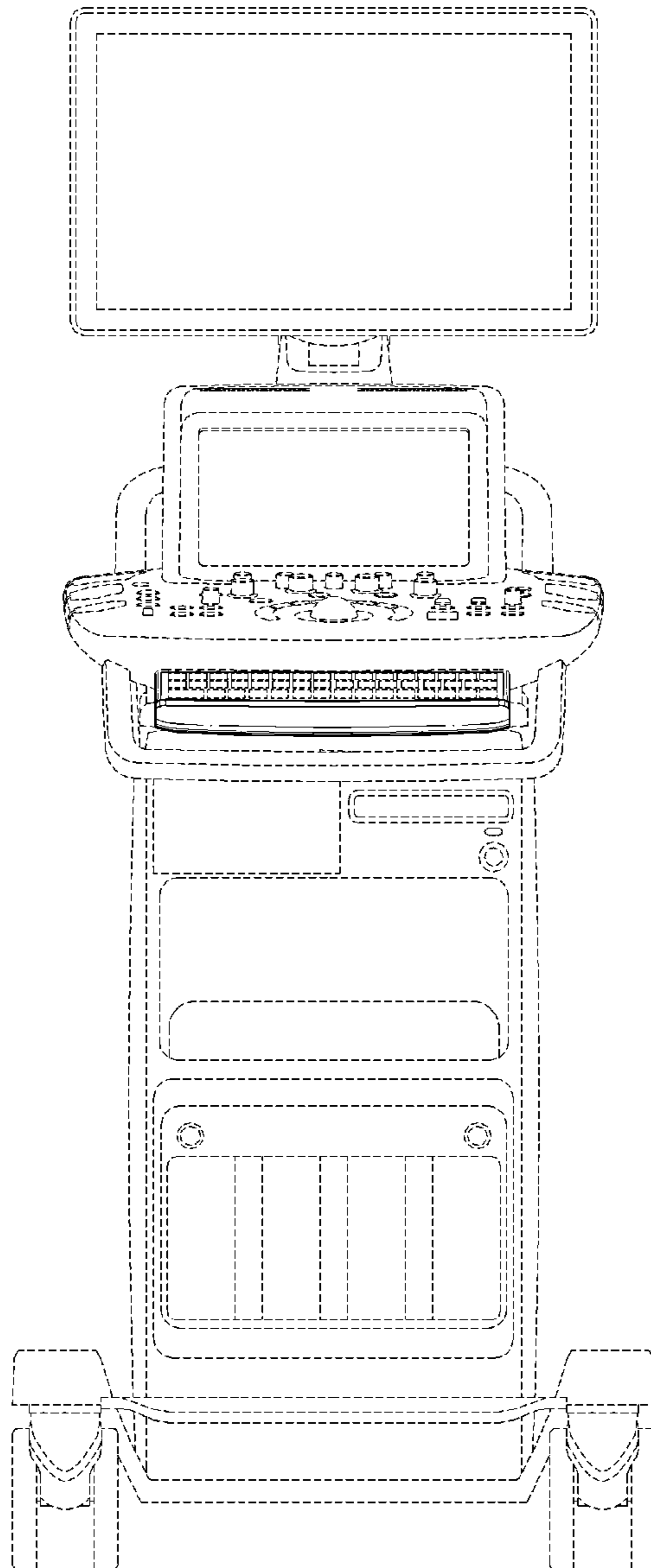


FIG. 3

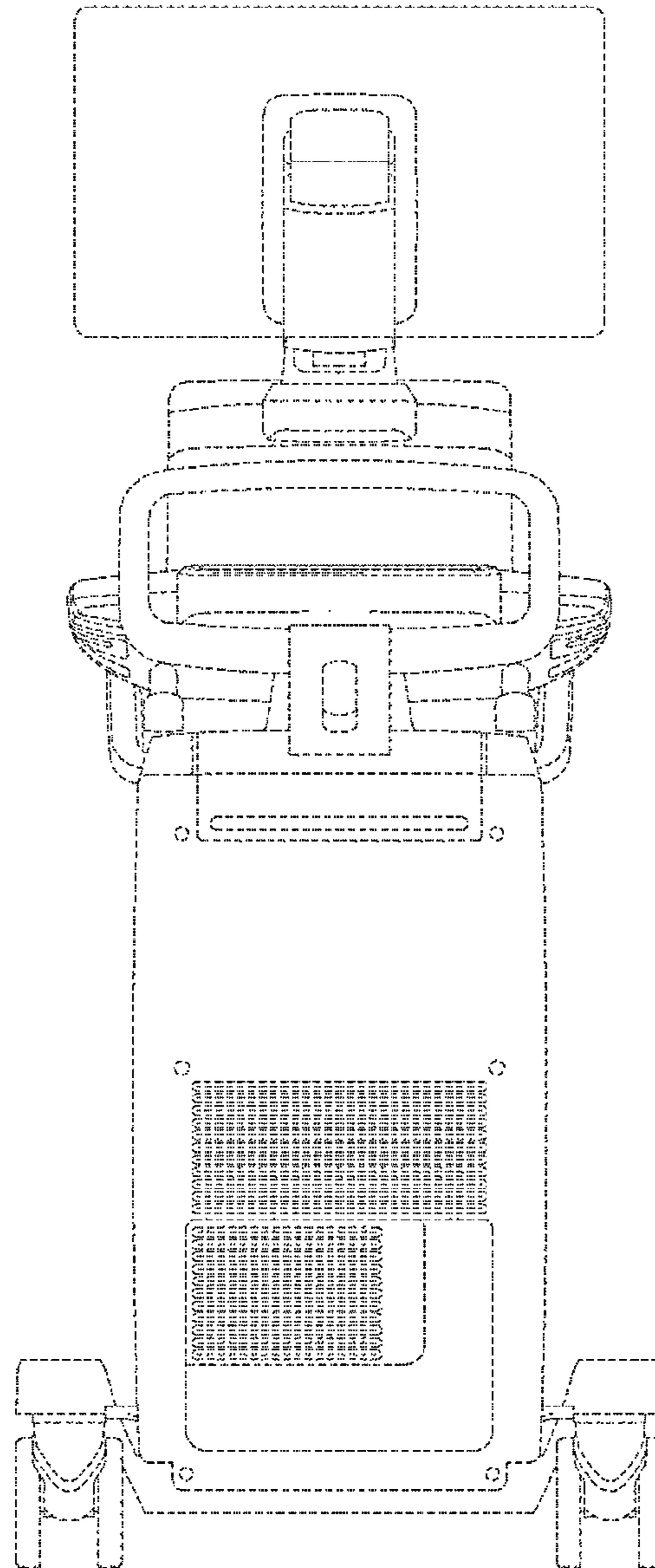


FIG. 4

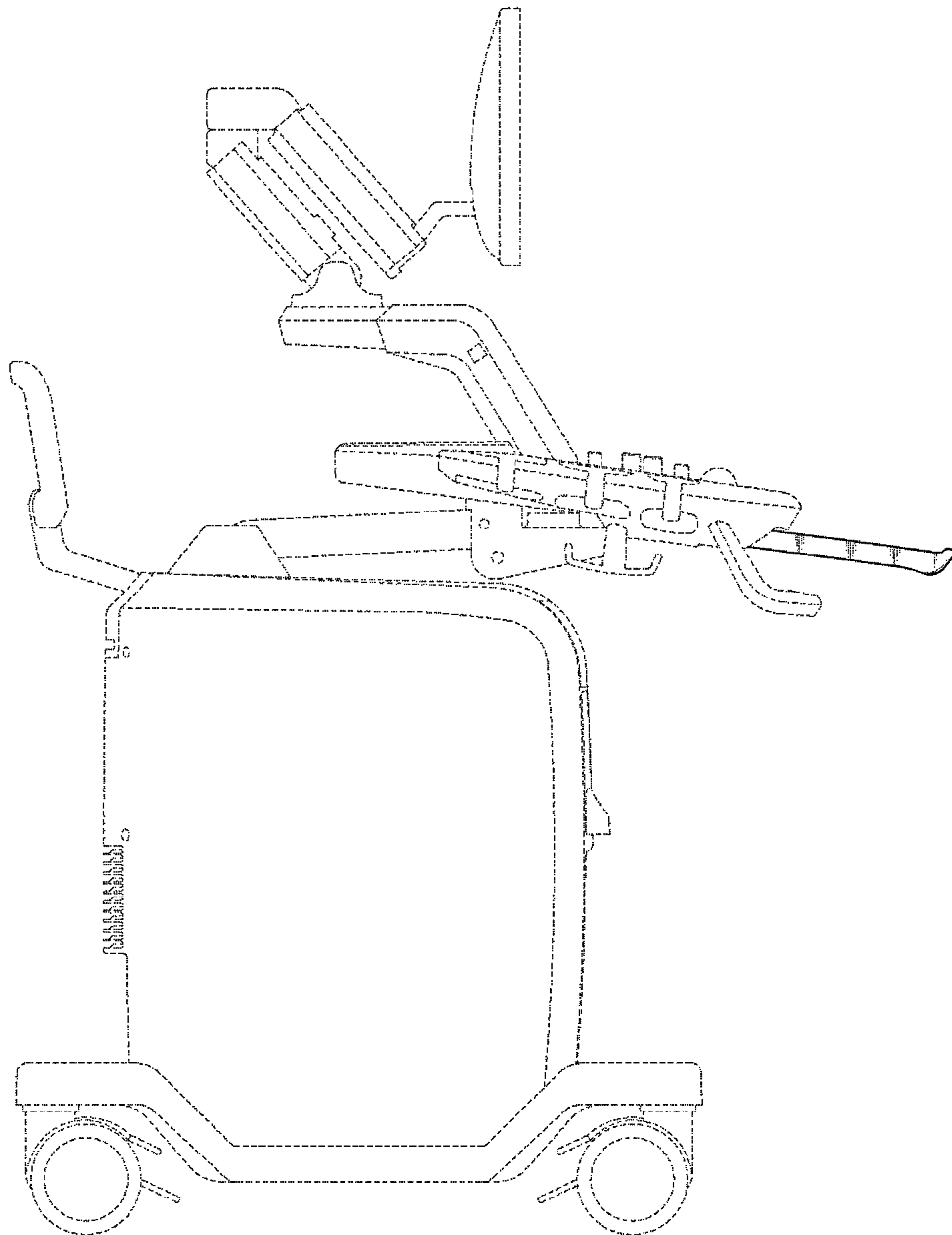


FIG.5

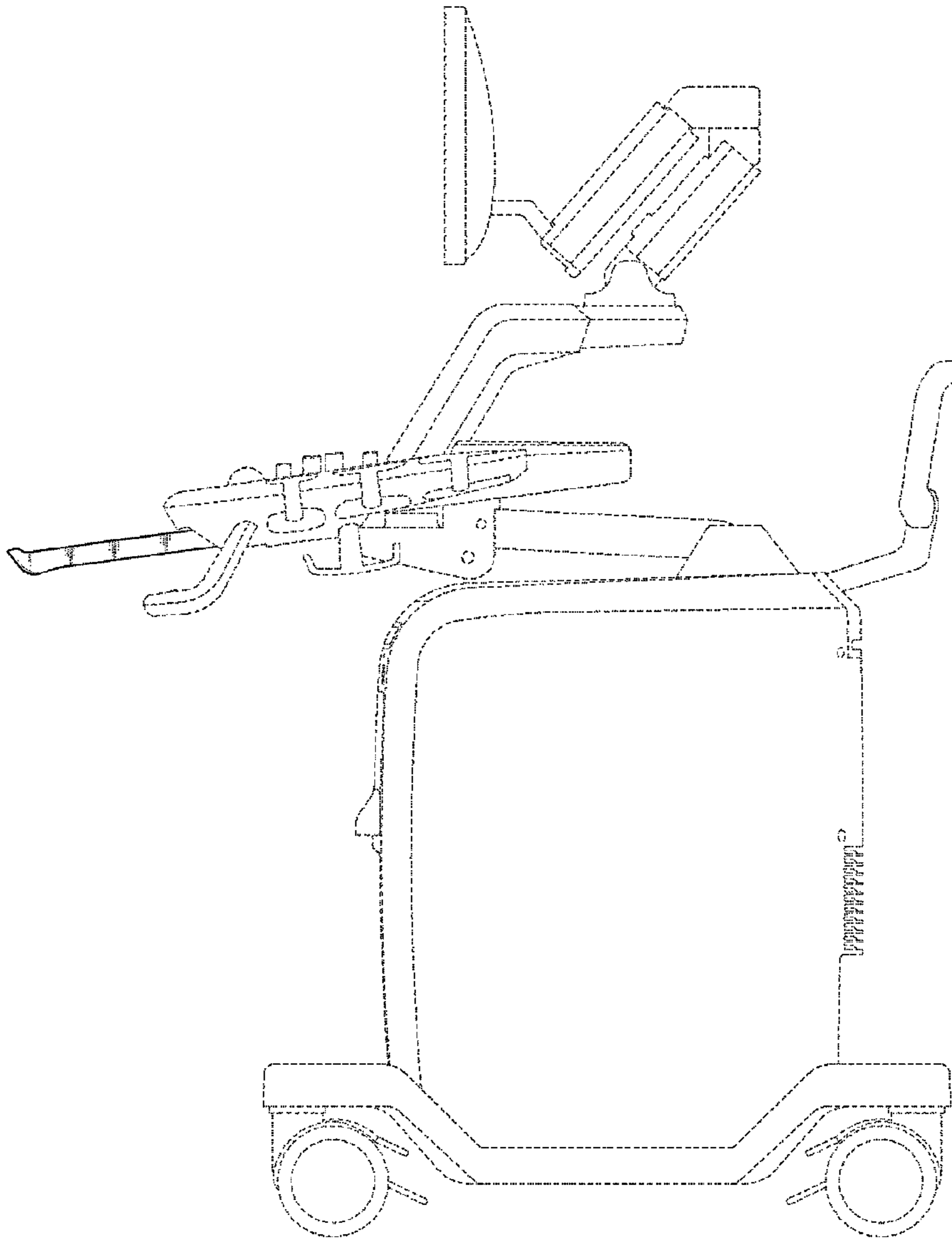


FIG. 6

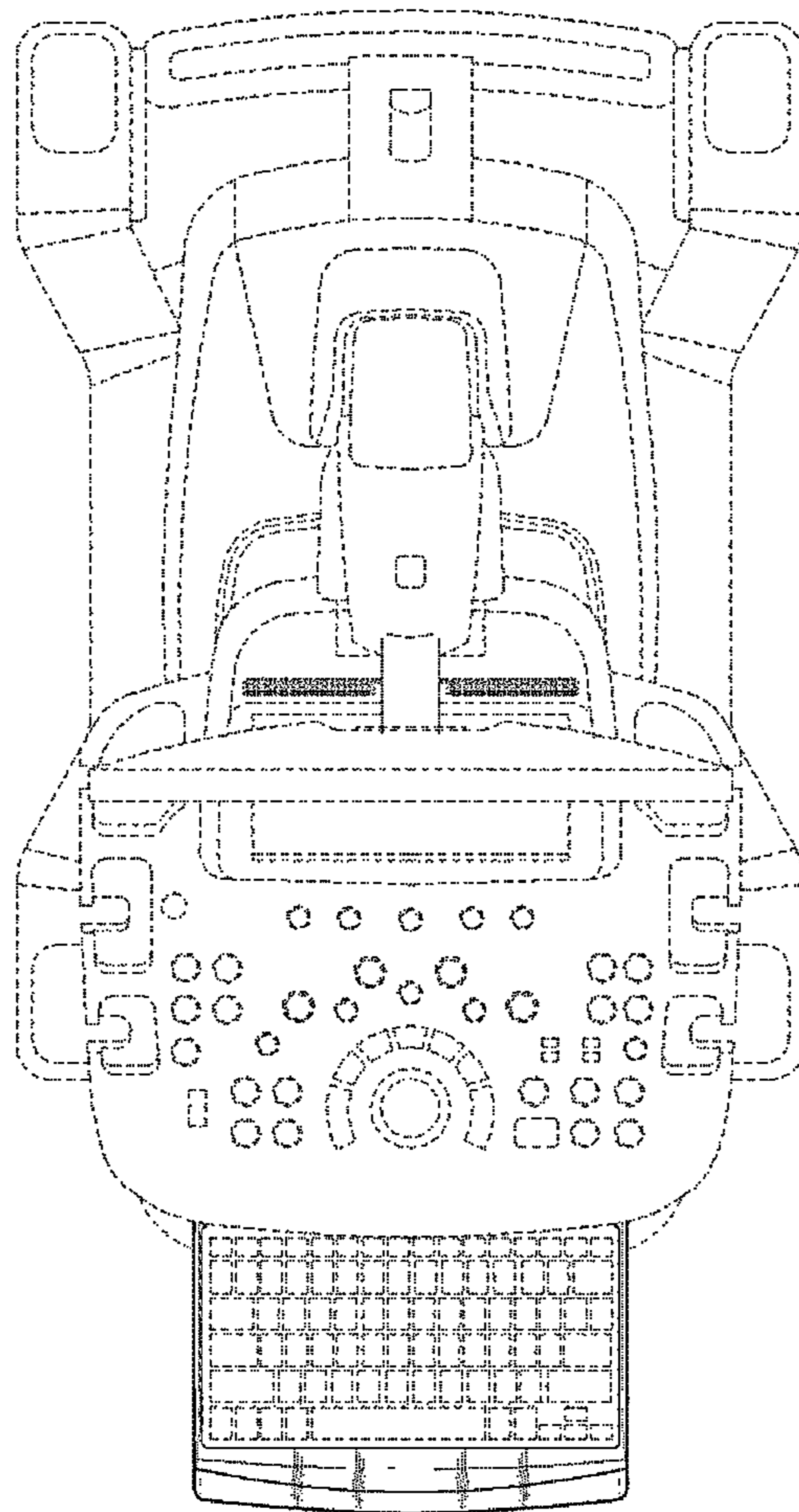


FIG. 7

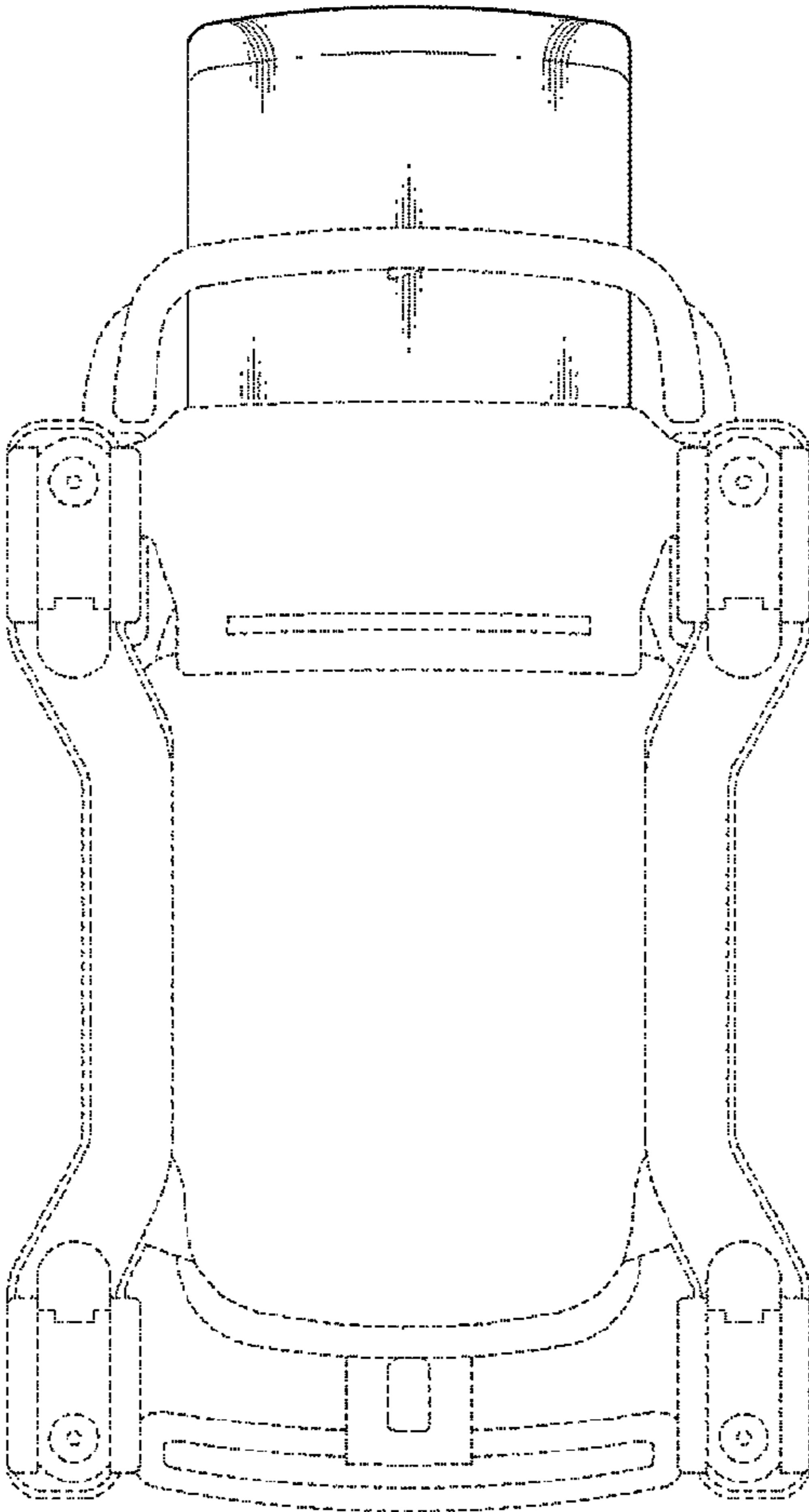


FIG. 8

