



US00D708331S

(12) **United States Design Patent**  
**Kim**

(10) **Patent No.:** **US D708,331 S**  
(45) **Date of Patent:** **\*\* Jul. 1, 2014**

(54) **CONTROL PANEL FOR A MEDICAL  
ULTRASOUND DEVICE**

(71) Applicant: **Samsung Electronics Co., Ltd.**,  
Suwon-si (KR)

(72) Inventor: **Yun-Su Kim**, Seoul (KR)

(73) Assignee: **Samsung Electronics Co., Ltd.** (KR)

(\*\*) Term: **14 Years**

(21) Appl. No.: **29/437,916**

(22) Filed: **Nov. 21, 2012**

**Related U.S. Application Data**

(63) Continuation of application No. 29/426,898, filed on  
Jul. 11, 2012.

**Foreign Application Priority Data**

Jan. 20, 2012 (KR) ..... 30-2012-0003158

(51) **LOC (10) Cl.** ..... **24-00**

(52) **U.S. Cl.**  
USPC ..... **D24/158; D24/185**

(58) **Field of Classification Search**  
USPC ..... D24/177, 182, 183, 184, 185, 186, 144,  
D24/160, 167-169, 172, 200, 158, 164, 199,  
D24/226, 230, 231; D34/12, 14; 312/22,  
312/109, 209, 223.1, 286, 249.8, 249.12;  
248/282.1; 600/437, 443, 459

See application file for complete search history.

(56) **References Cited**

U.S. PATENT DOCUMENTS

D395,085	S	*	6/1998	Kenley et al. ....	D24/169
D467,001	S	*	12/2002	Buczek et al. ....	D24/172
D492,034	S	*	6/2004	Cruz et al. ....	D24/169
D648,855	S	*	11/2011	Smith et al. ....	D24/158
D650,482	S	*	12/2011	Kim et al. ....	D24/158
D657,059	S	*	4/2012	Geijsen et al. ....	D24/160
D696,783	S	*	12/2013	Chung et al. ....	D24/185
2011/0152691	A1	*	6/2011	Ikeda et al. ....	600/459

\* cited by examiner

*Primary Examiner* — Robert M Spear

*Assistant Examiner* — Rhea Shields

(74) *Attorney, Agent, or Firm* — Cantor Colburn LLP

(57) **CLAIM**

The ornamental design for an control panel for a medical  
ultrasound device, as shown and described.

**DESCRIPTION**

FIG. 1 is a perspective view of an control panel for a medical  
ultrasound device showing my new design;

FIG. 2 is a front view thereof;

FIG. 3 is a rear view thereof;

FIG. 4 is a left side view thereof;

FIG. 5 is a right side view thereof;

FIG. 6 is a top plan view thereof; and,

FIG. 7 is a bottom plan view thereof.

In the drawings, the broken lines depict environmental sub-  
ject matter only and form no part of the claimed design.

**1 Claim, 7 Drawing Sheets**

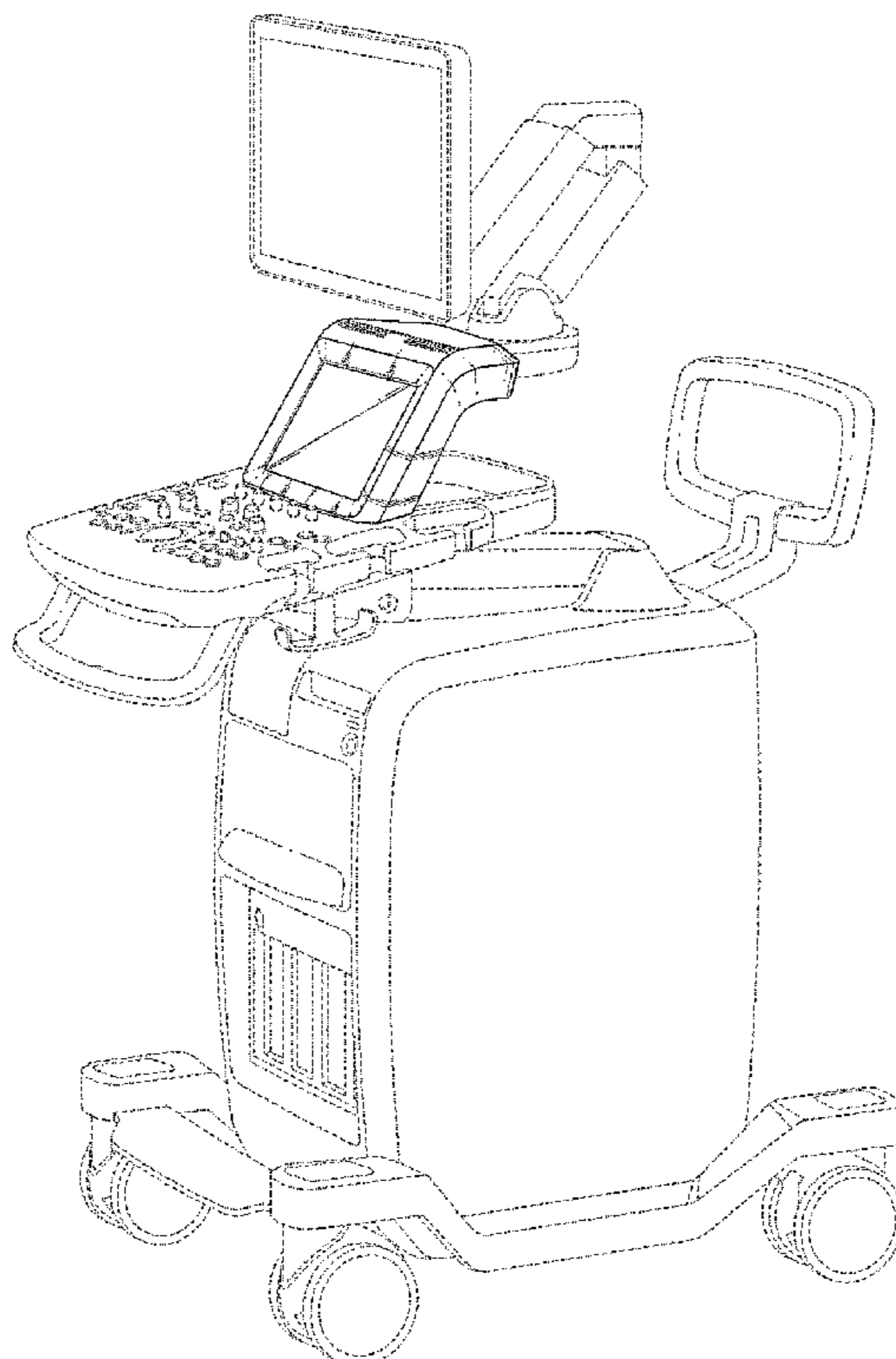


FIG. 1

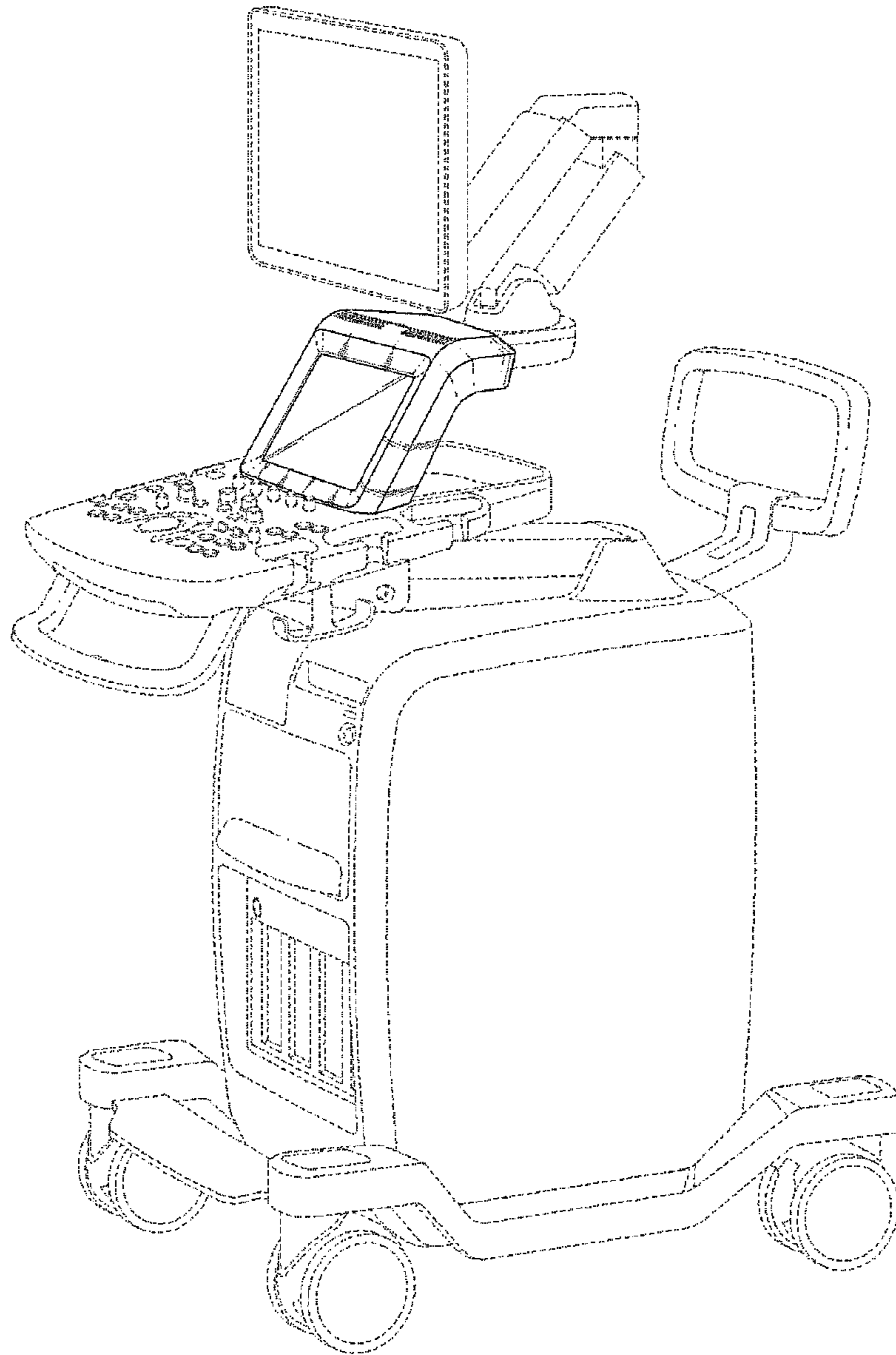


FIG.2

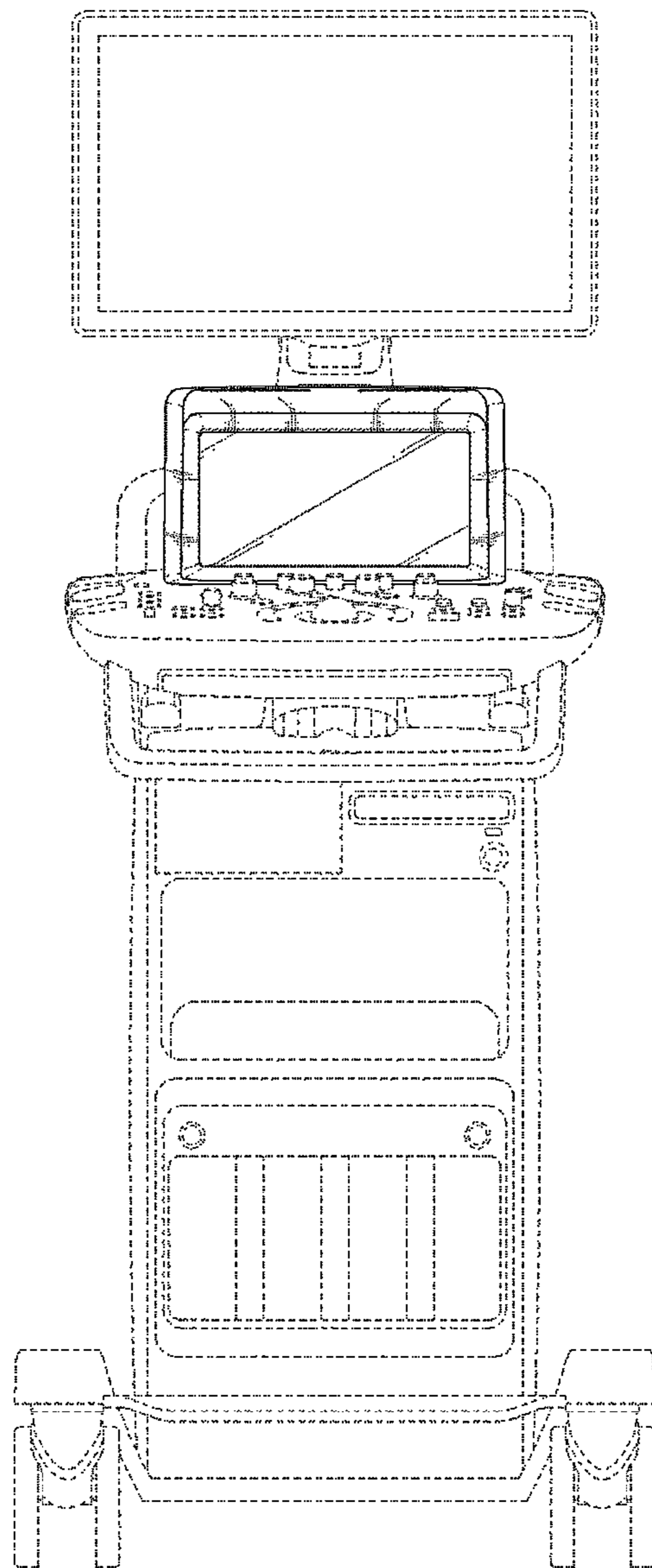


FIG.3

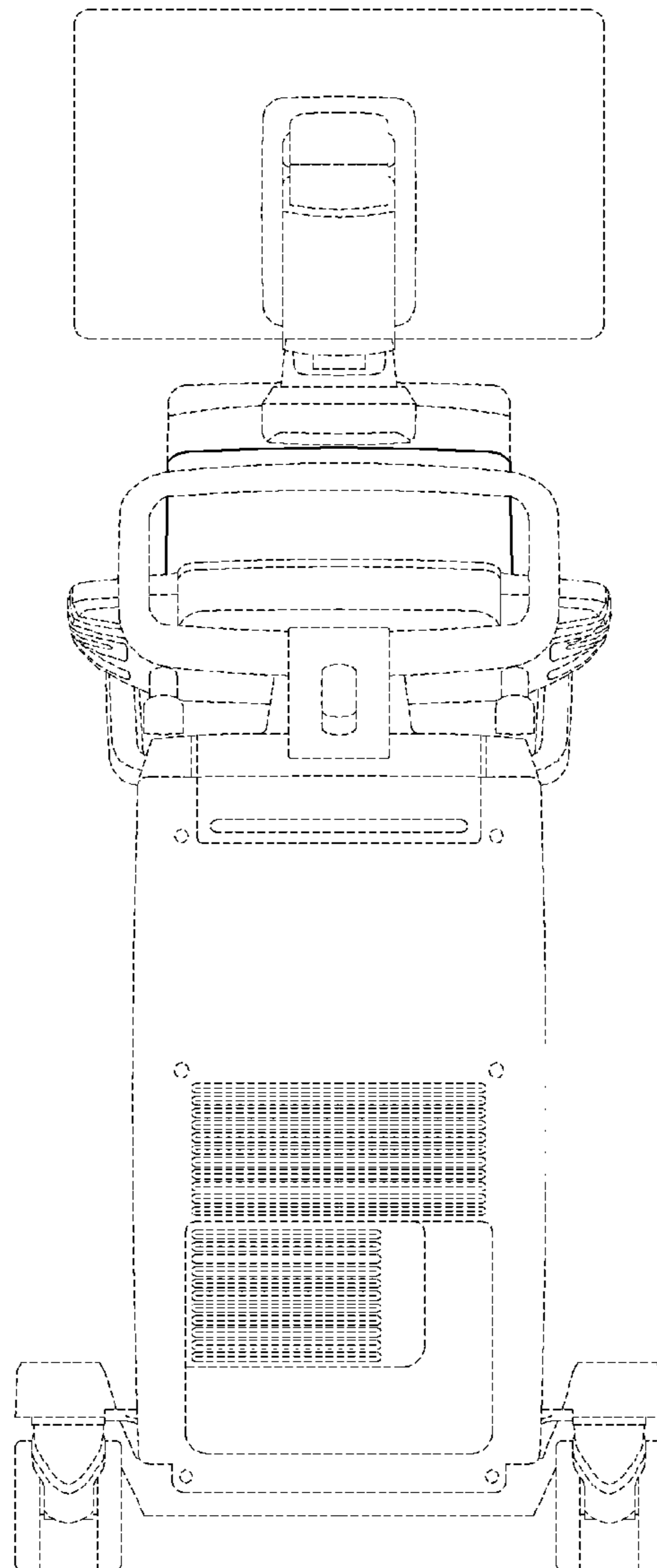


FIG. 4

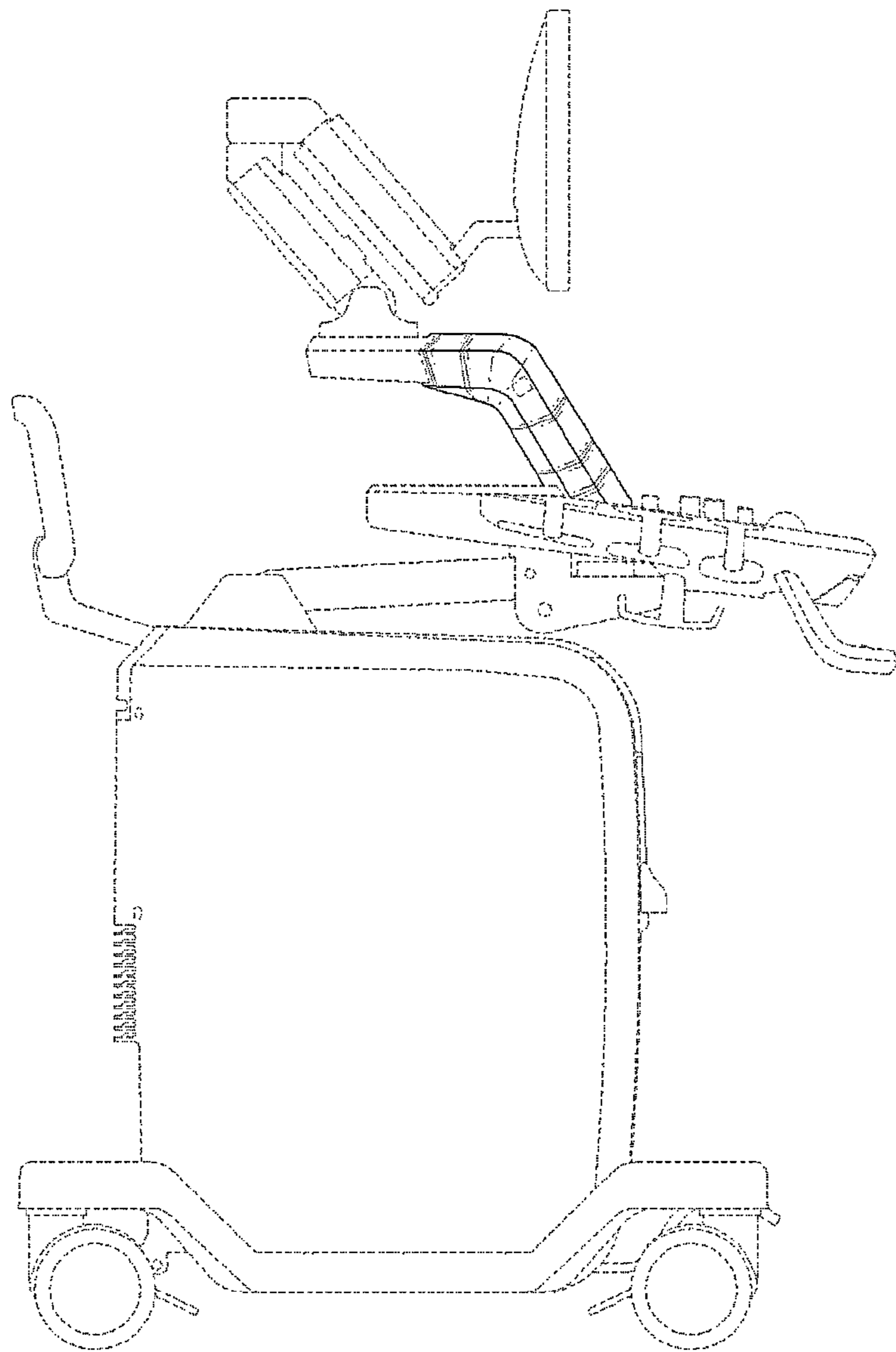




FIG. 5

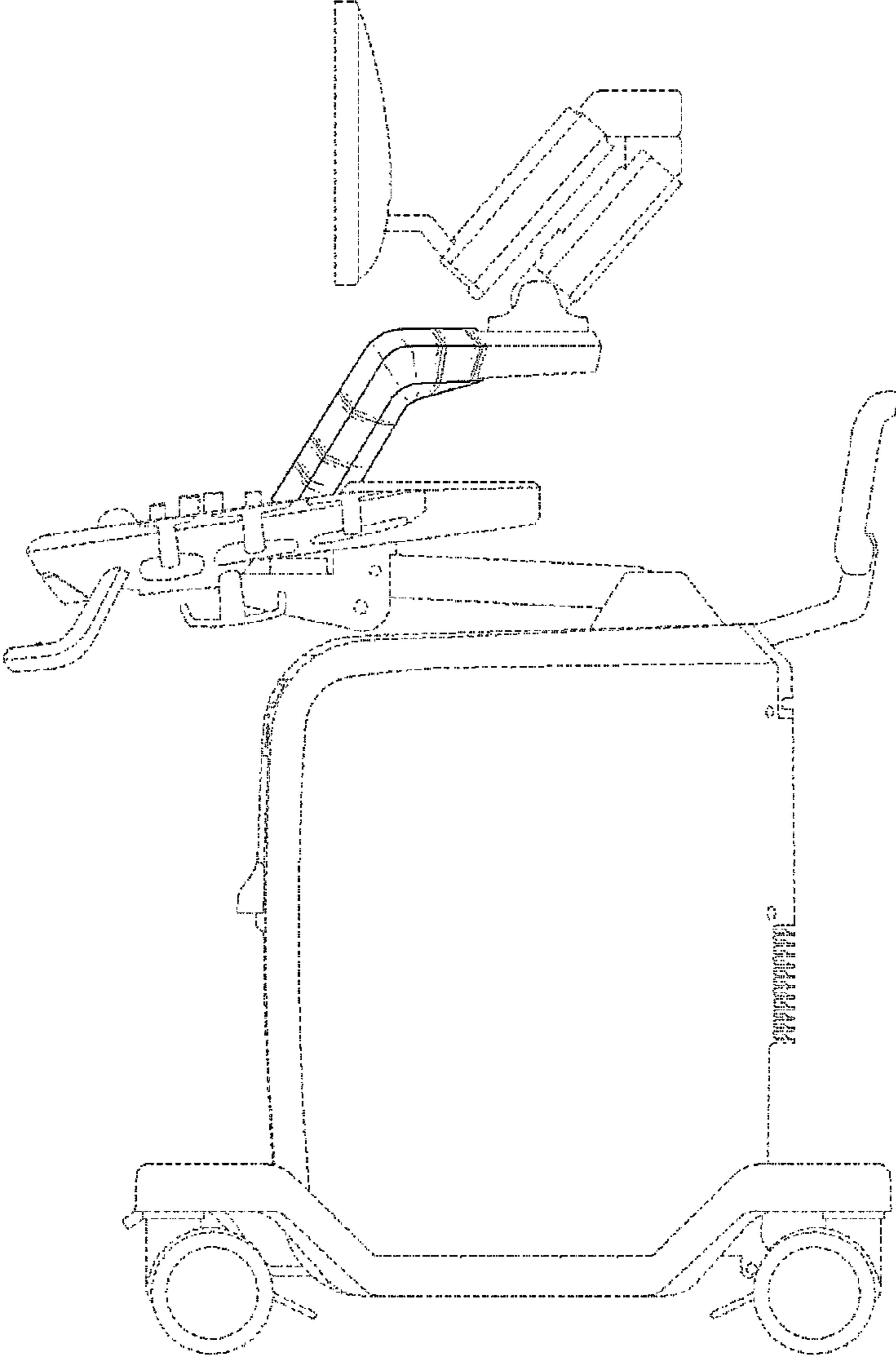


FIG. 6

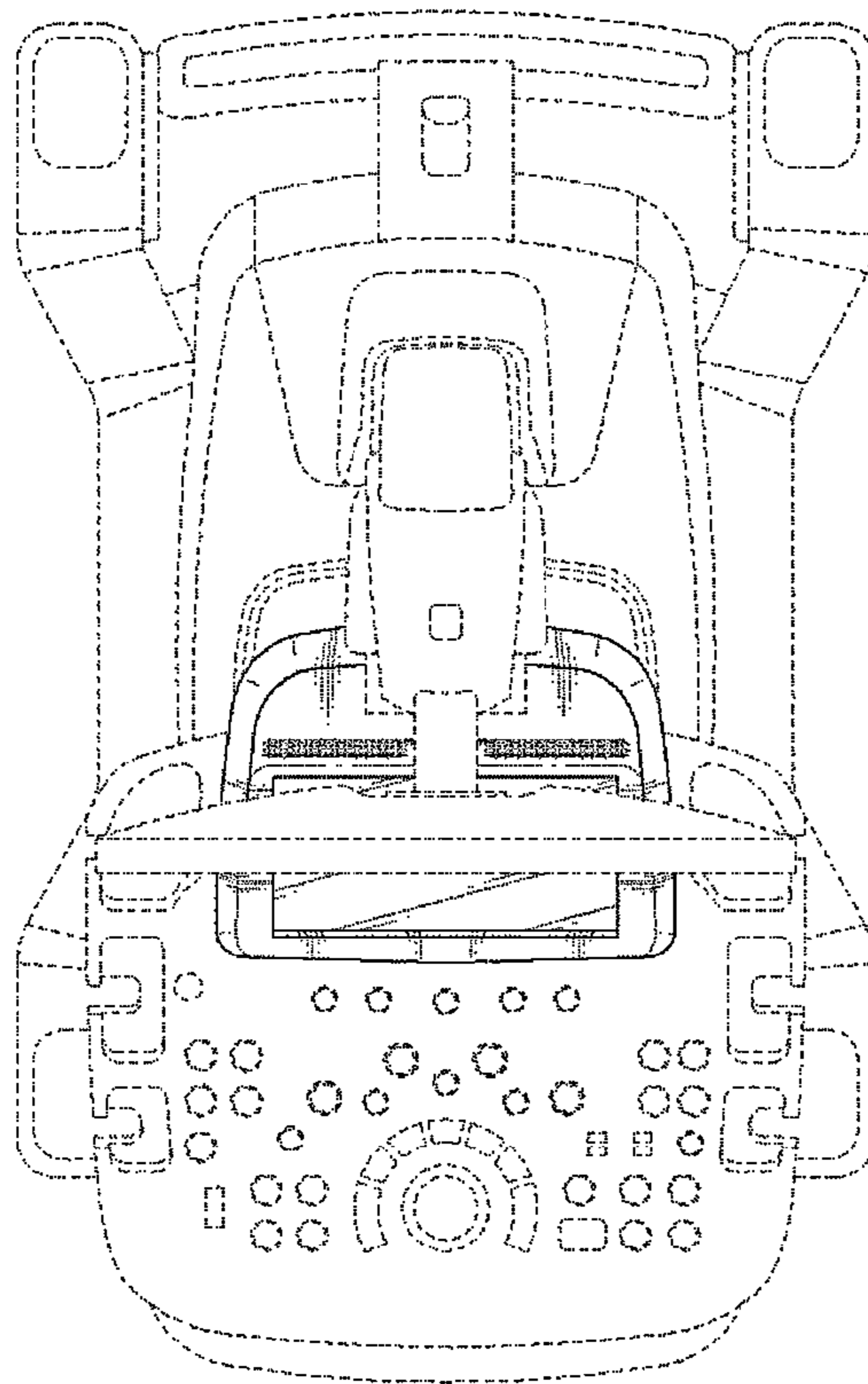


FIG. 7

