



US00D708330S

(12) **United States Design Patent**
Jung

(10) **Patent No.:** **US D708,330 S**

(45) **Date of Patent:** **** Jul. 1, 2014**

(54) **DENTAL HANDPIECE**

FOREIGN PATENT DOCUMENTS

(71) Applicant: **DigitalPrep Technologies, Inc.**, West Valley City, UT (US)

DE 4012327 10/1991
DE 4013828 1/1992
WO WO 2012/110850 8/2012

(72) Inventor: **Daniel Yonil Jung**, Sandy, UT (US)

OTHER PUBLICATIONS

(73) Assignee: **DigitalPrep Technologies, Inc.**, West Valley City, UT (US)

U.S. Appl. No. 29/447,926, filed Mar. 7, 2013; Daniel Yonil Jung.

(**) Term: **14 Years**

Primary Examiner — Wan Laymon

(21) Appl. No.: **29/447,933**

(74) *Attorney, Agent, or Firm* — Thorpe North & Western LLP

(22) Filed: **Mar. 7, 2013**

(57) **CLAIM**

(51) **LOC (10) Cl.** **24-02**

The ornamental design for the dental handpiece, as shown and described.

(52) **U.S. Cl.**

USPC **D24/146; D24/152**

(58) **Field of Classification Search**

USPC D24/146–147, 152, 176; 433/3, 48, 82, 433/114, 118–119, 124–125, 133, 141–142, 433/102

See application file for complete search history.

DESCRIPTION

FIG. 1 is a perspective view of the dental handpiece in accordance with my invention with orbs thereon; FIG. 2 is another perspective view thereof; FIG. 3 is a top plan view thereof; FIG. 4 is a right side elevation view thereof; FIG. 5 is a left side elevation view thereof; FIG. 6 is a bottom plan view thereof; FIG. 7 is a front elevation view thereof; and FIG. 8 is a rear elevation view thereof; FIG. 9 is a perspective view of another embodiment of the dental handpiece in accordance with my invention; FIG. 10 is another perspective view thereof; FIG. 11 is a top plan view thereof; FIG. 12 is a right side elevation view thereof; FIG. 13 is a left side elevation view thereof; FIG. 14 is a bottom plan view thereof; FIG. 15 is a front elevation view thereof; and, FIG. 16 is a rear elevation view thereof. The broken lines in FIGS. 1-16 are for illustrative purposes only and form no part of the claimed design.

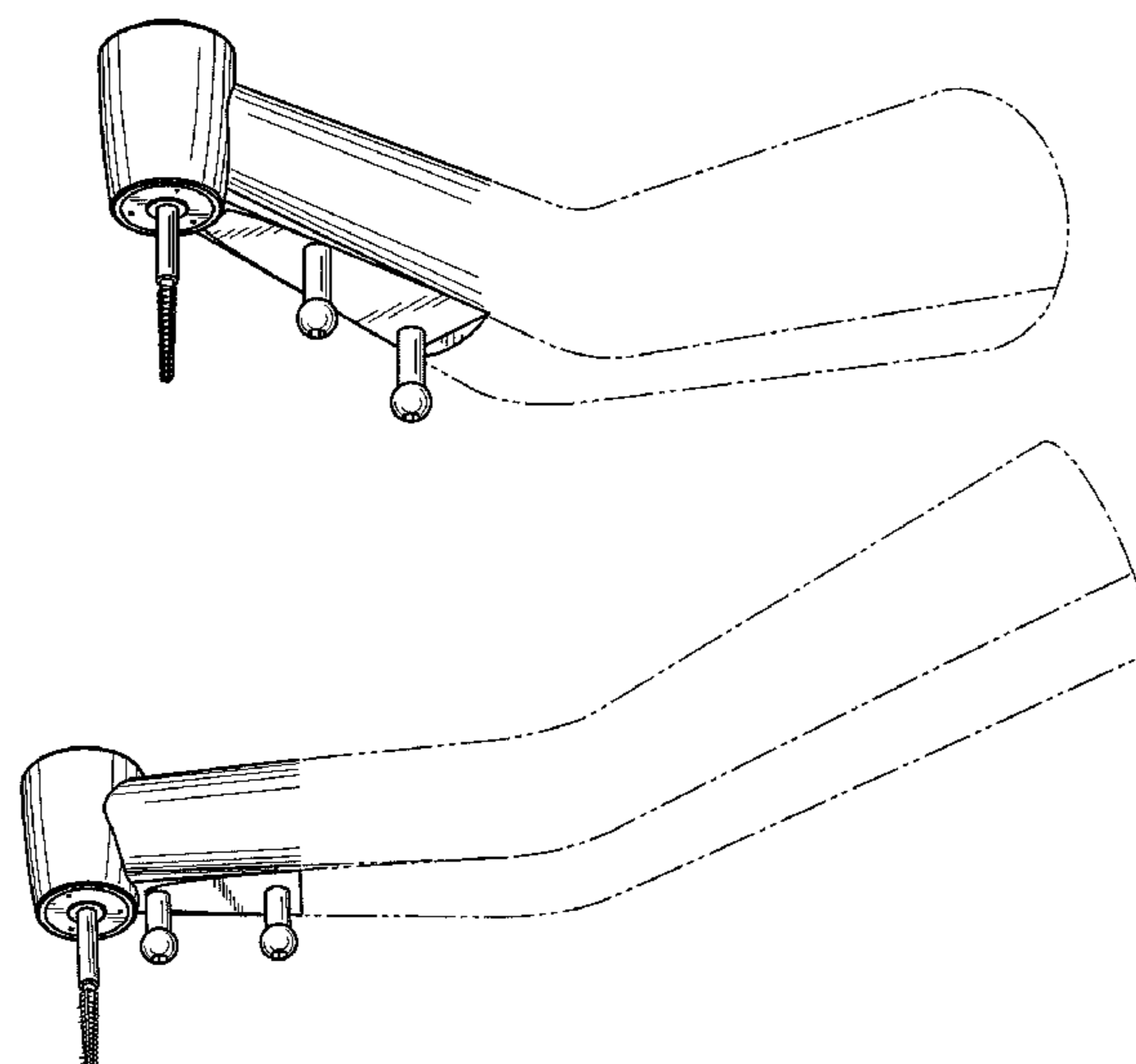
(56) **References Cited**

U.S. PATENT DOCUMENTS

4,144,645	A	3/1979	Marshall	
D261,032	S *	9/1981	Marucci et al.	D24/146
D263,877	S *	4/1982	Podszus et al.	D24/146
D264,876	S *	6/1982	Seid	D24/146
D305,935	S *	2/1990	Straihammer et al.	D24/146
5,725,376	A	3/1998	Poirier	
6,213,770	B1 *	4/2001	Kuhn	433/102
6,443,731	B2 *	9/2002	Kuhn et al.	433/118
6,702,578	B2 *	3/2004	Matsutani et al.	433/102
D499,486	S *	12/2004	Kuhn et al.	D24/152
D548,342	S *	8/2007	Cohen	D24/146
8,109,762	B2 *	2/2012	Richard	433/114
2007/0287127	A1 *	12/2007	Schaffran et al.	433/114
2009/0011380	A1 *	1/2009	Wang	433/3
2010/0112514	A1 *	5/2010	Chen	433/114

(Continued)

1 Claim, 6 Drawing Sheets



(56)

References Cited

2010/0192375 A1 8/2010 Jacquemyns
2010/0196842 A1 8/2010 Jacquemyns

U.S. PATENT DOCUMENTS

2010/0112515 A1* 5/2010 Chen 433/114 * cited by examiner

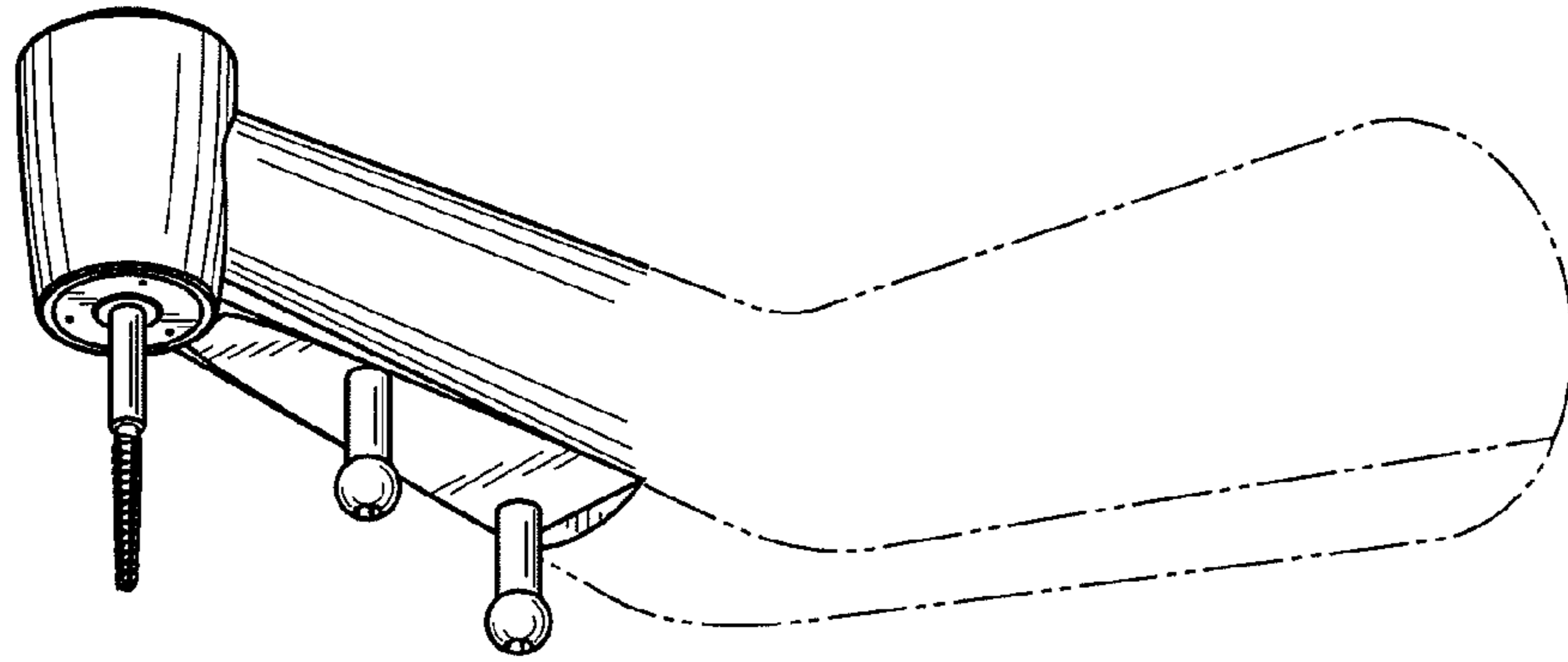


FIG. 1

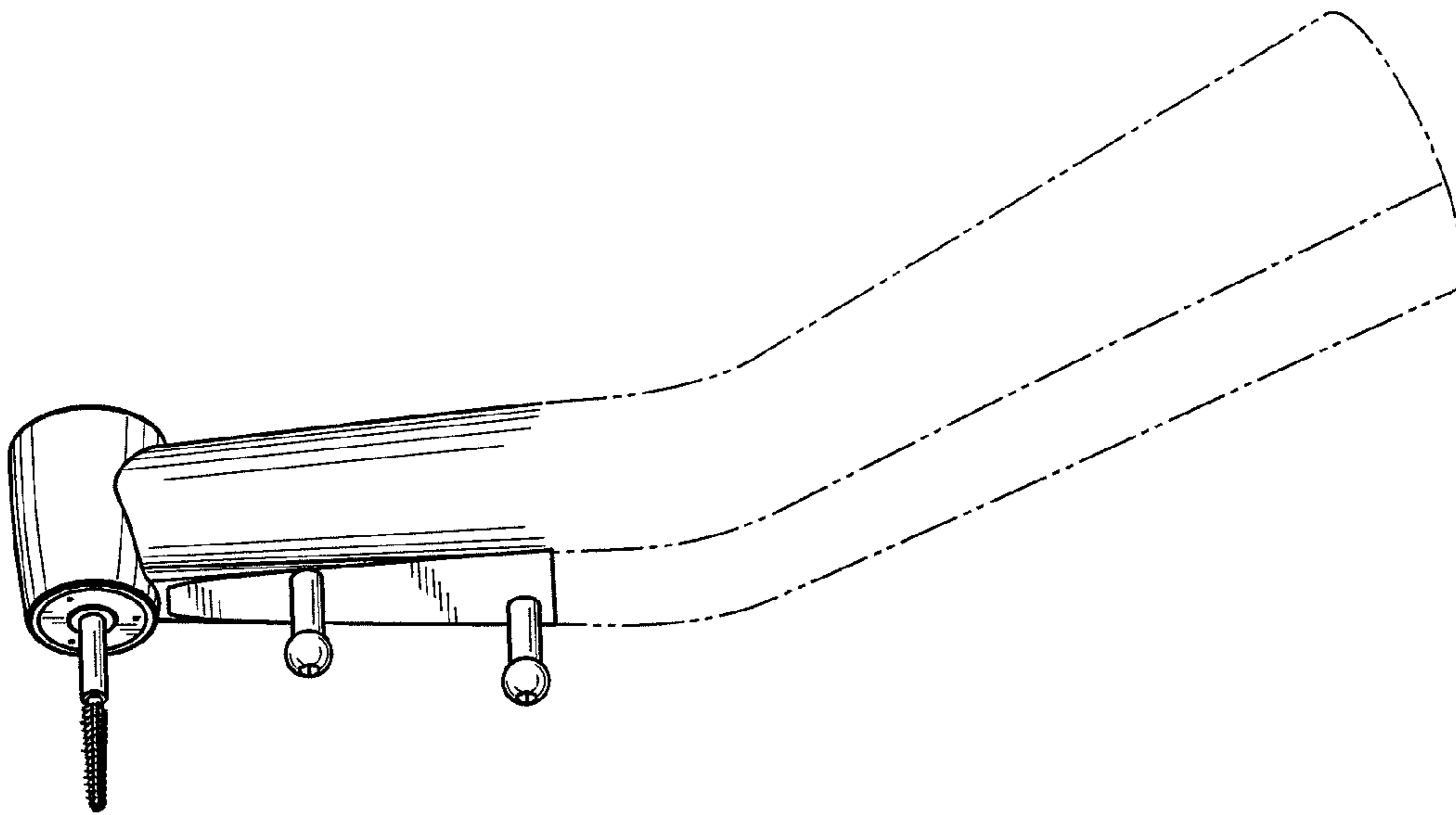


FIG. 2

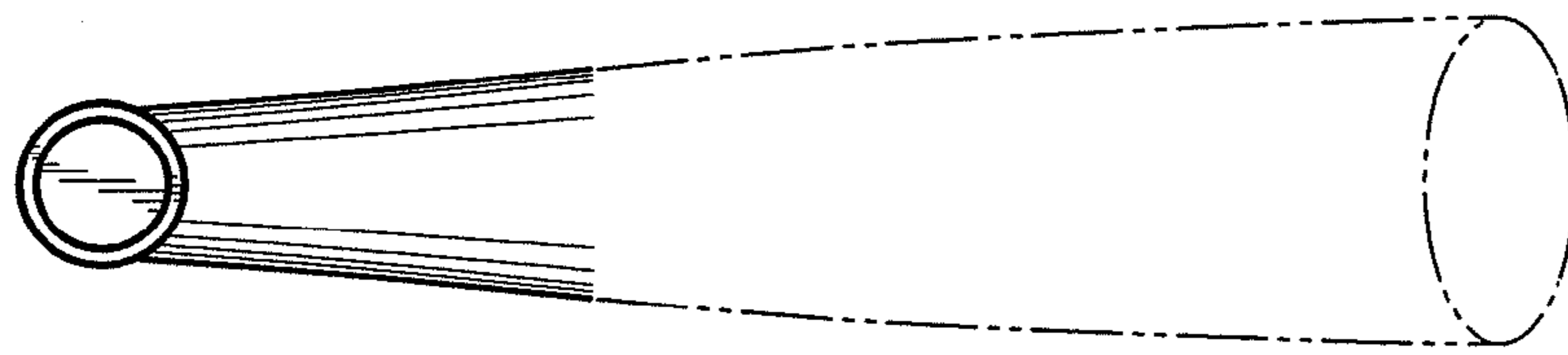


FIG. 3

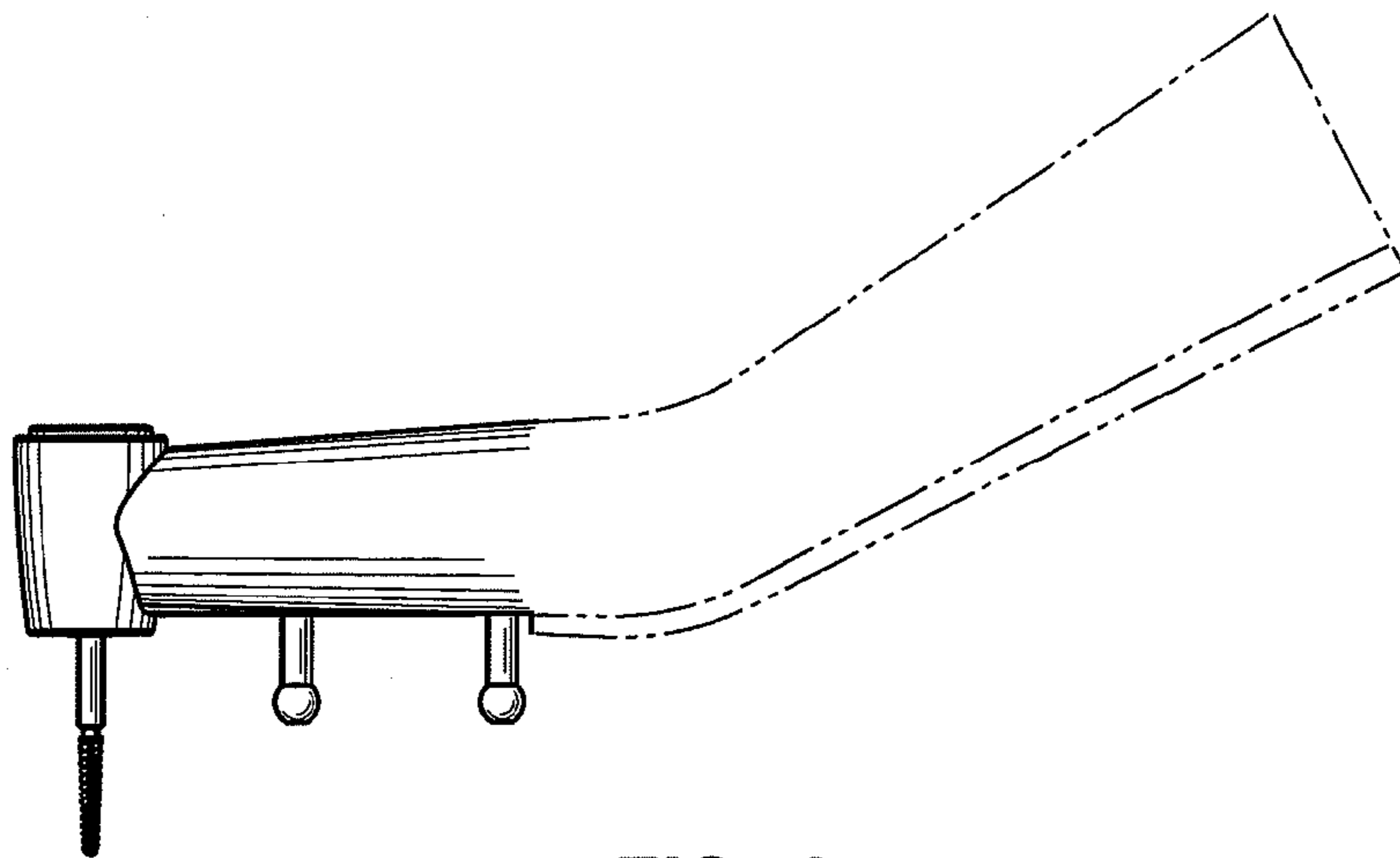


FIG. 4

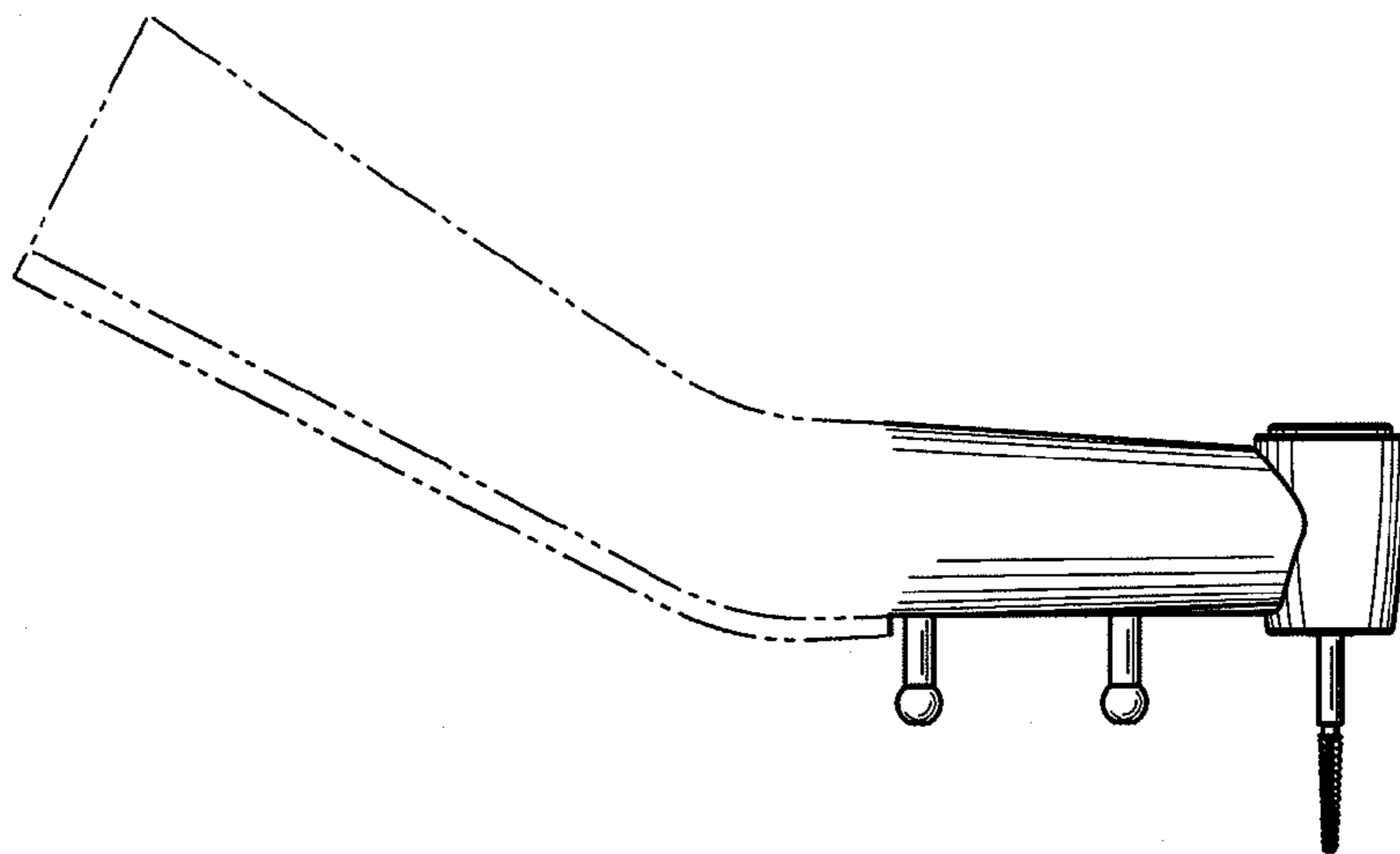


FIG. 5

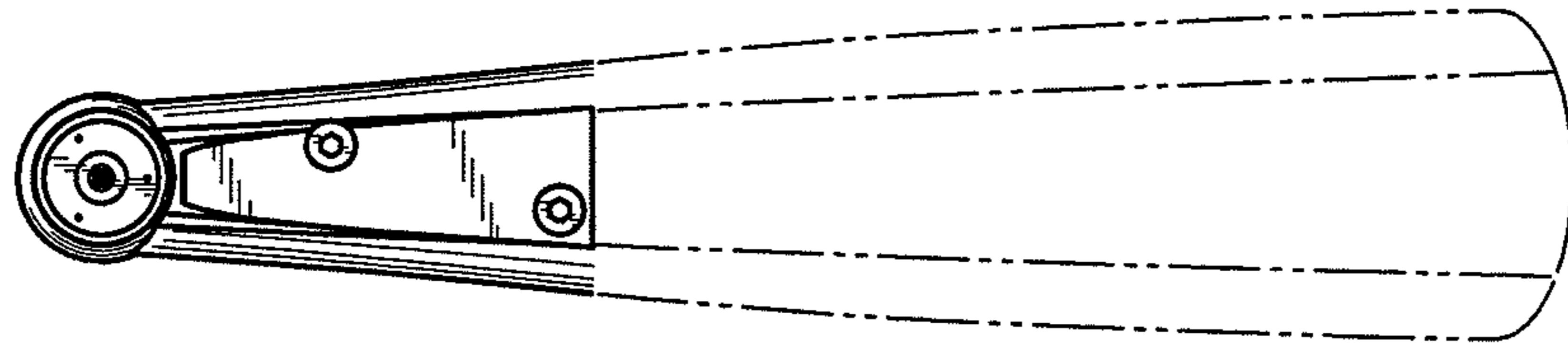


FIG. 6

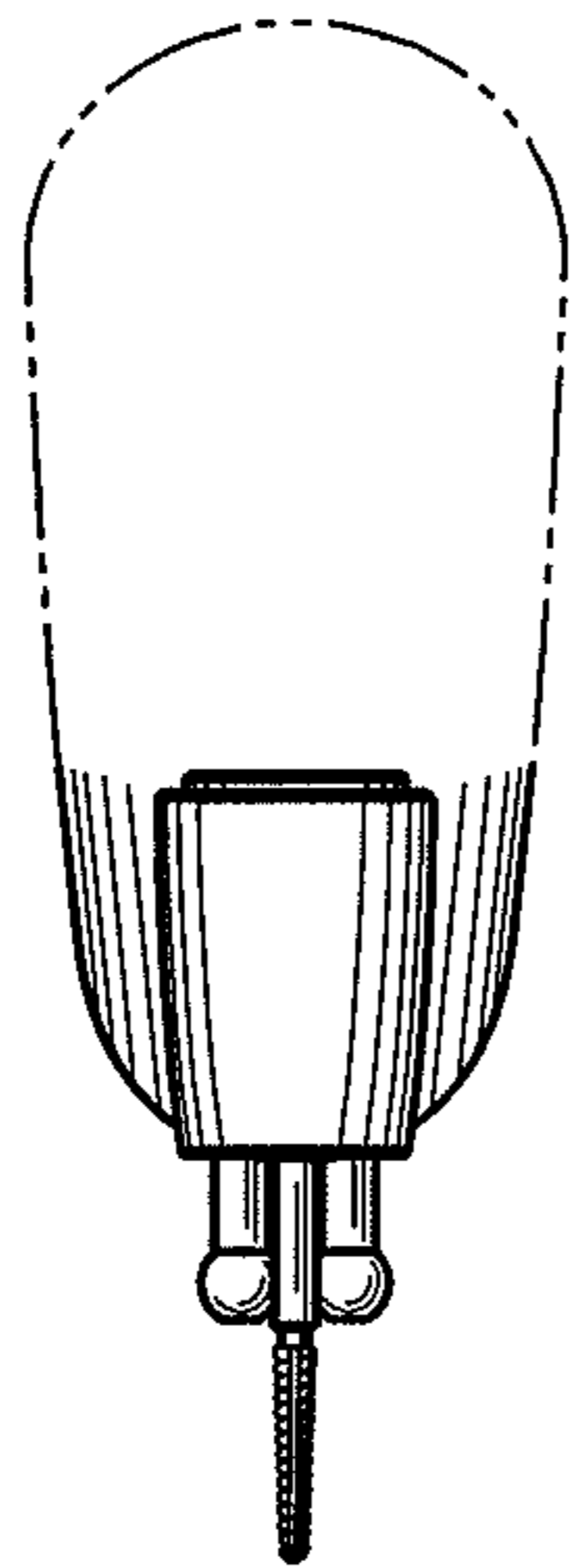


FIG. 7

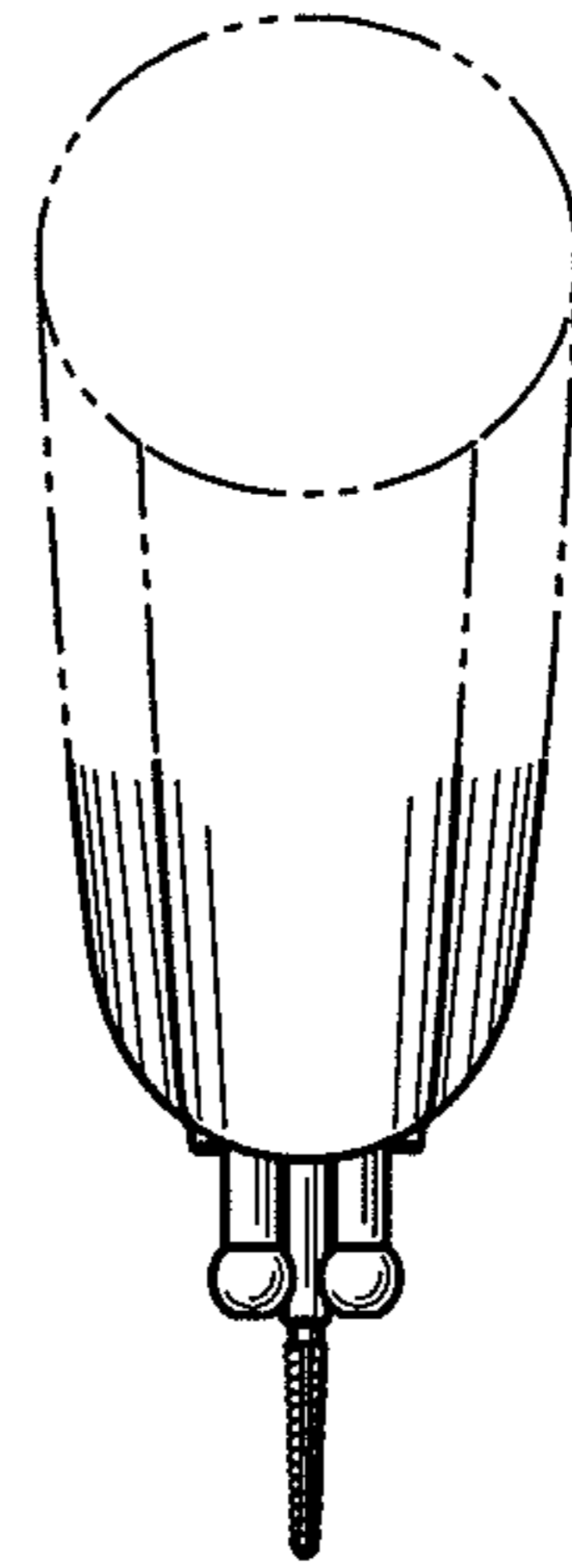


FIG. 8

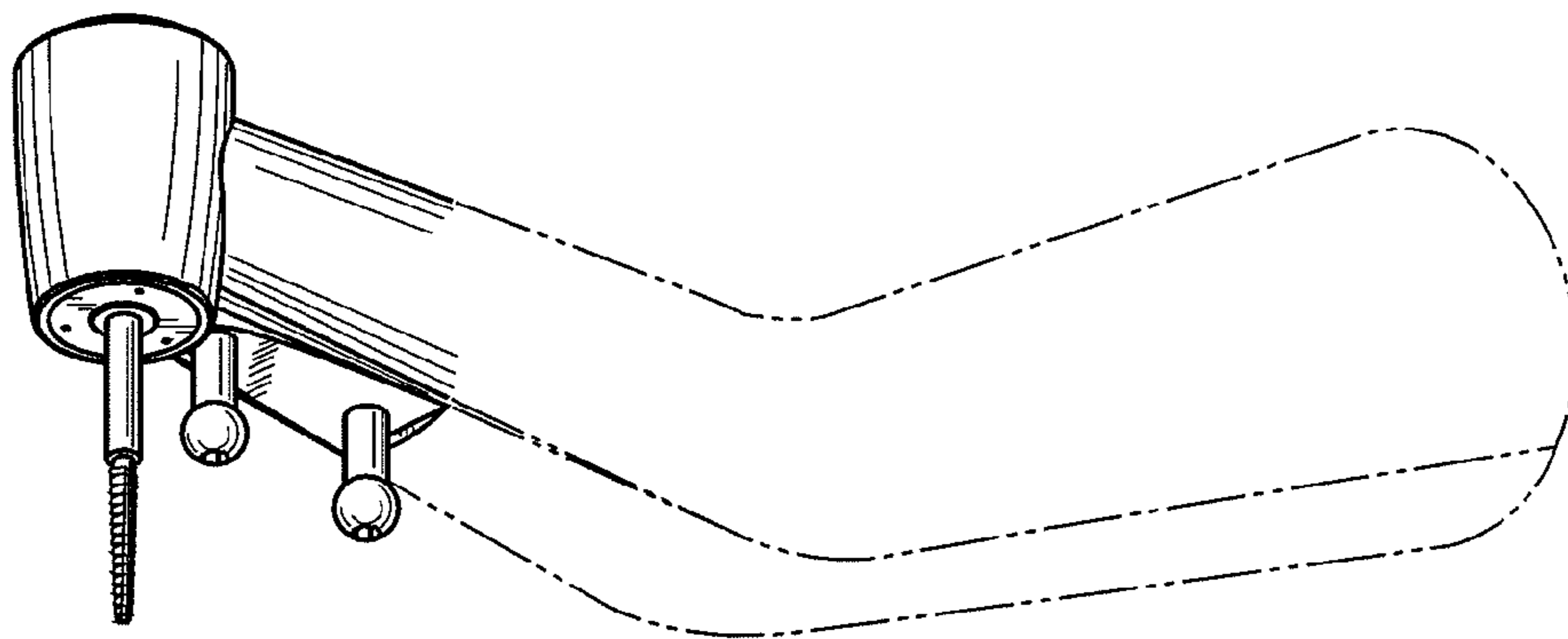


FIG. 9

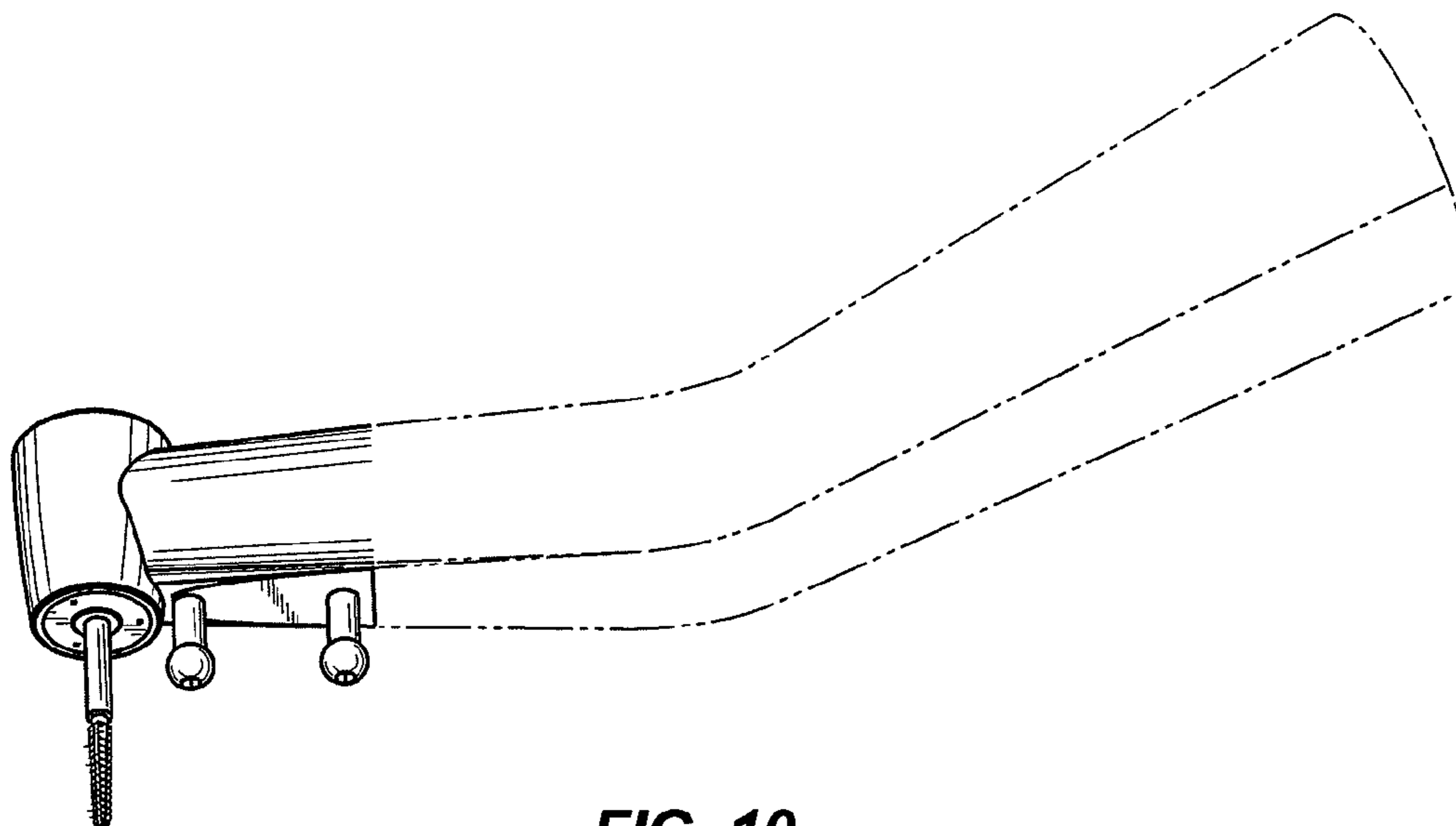


FIG. 10

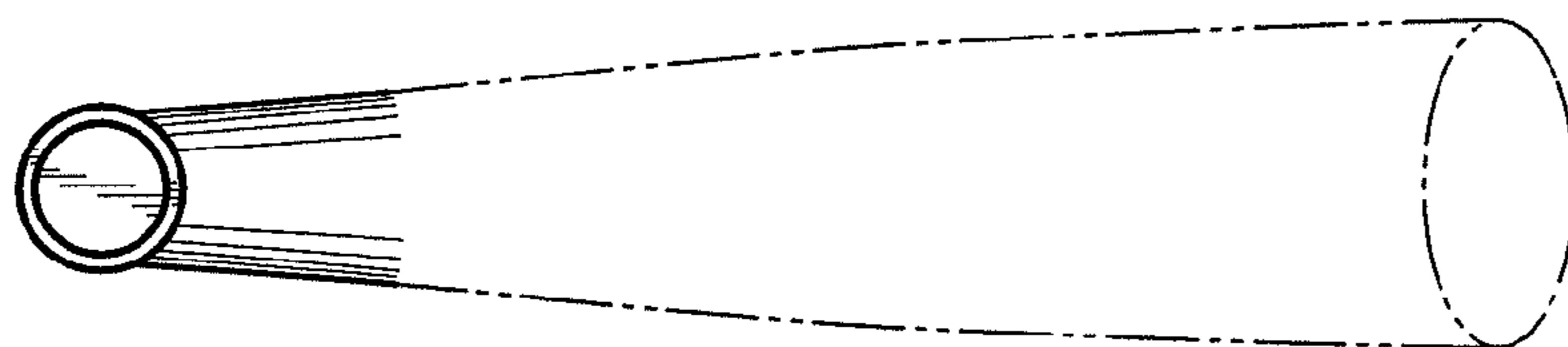


FIG. 11

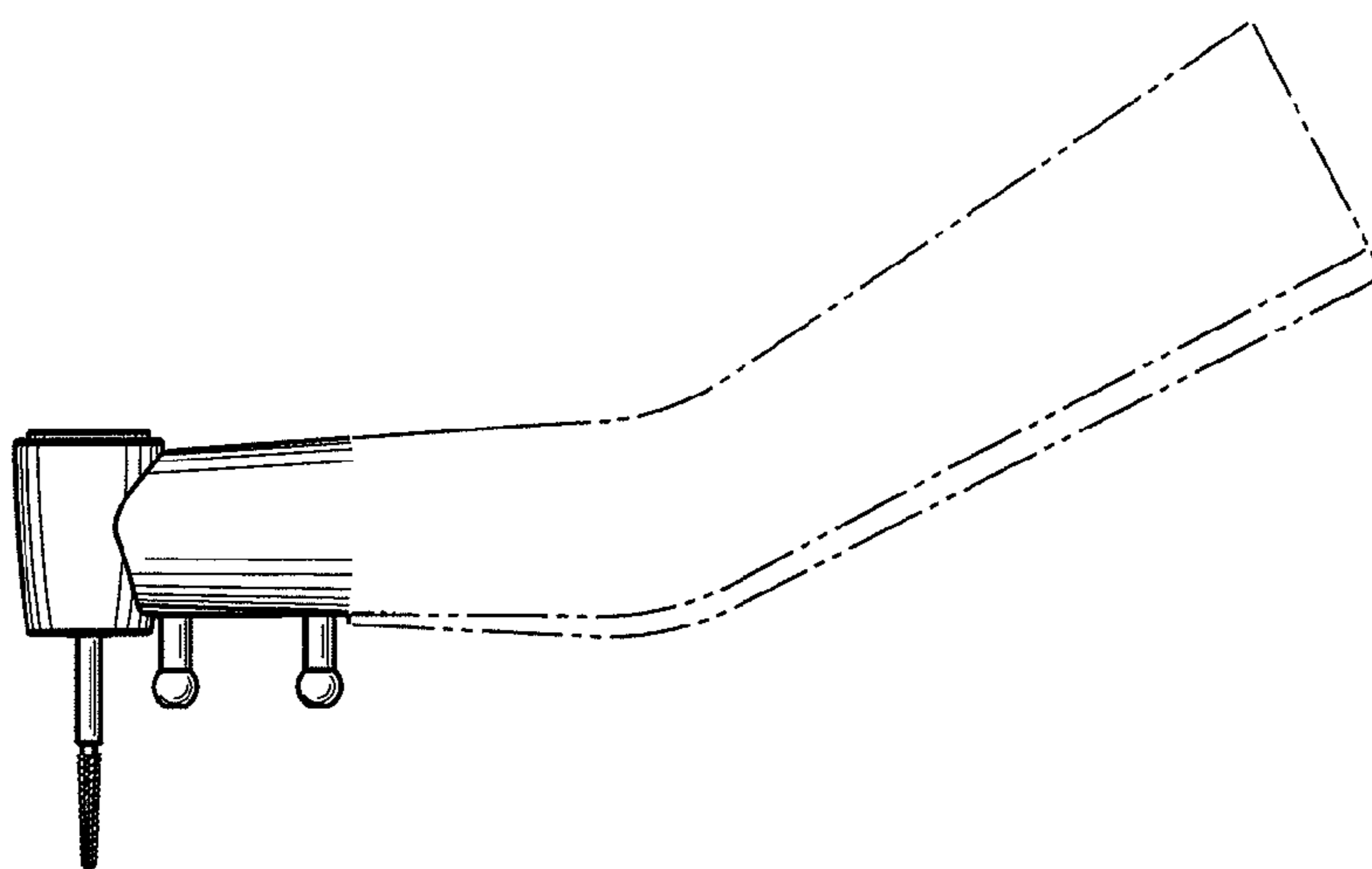


FIG. 12

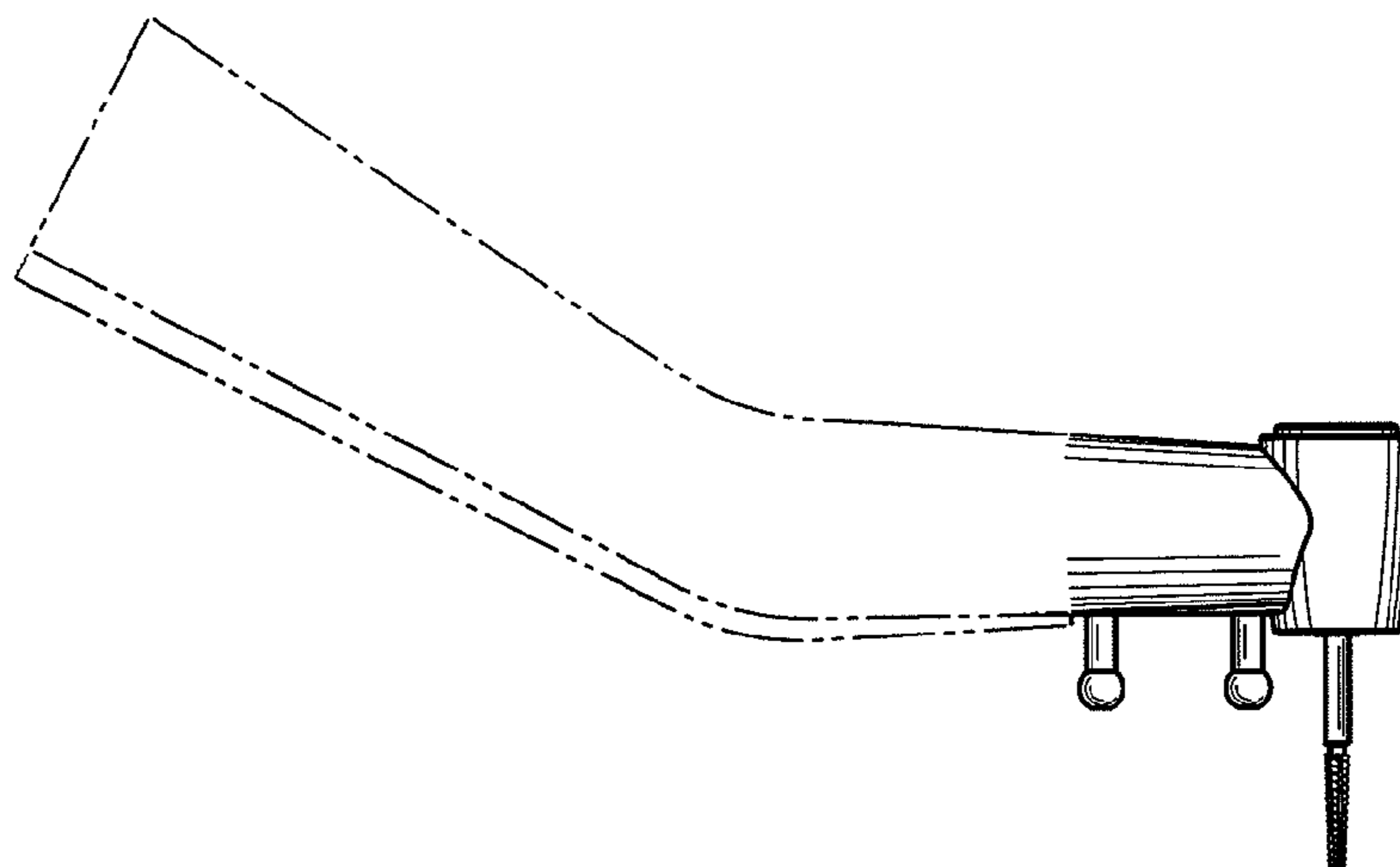


FIG. 13

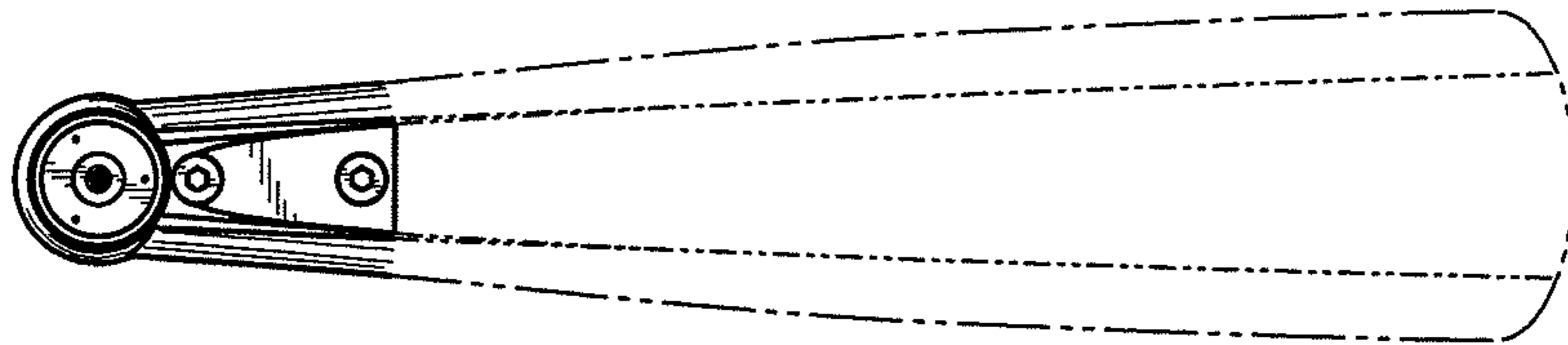


FIG. 14

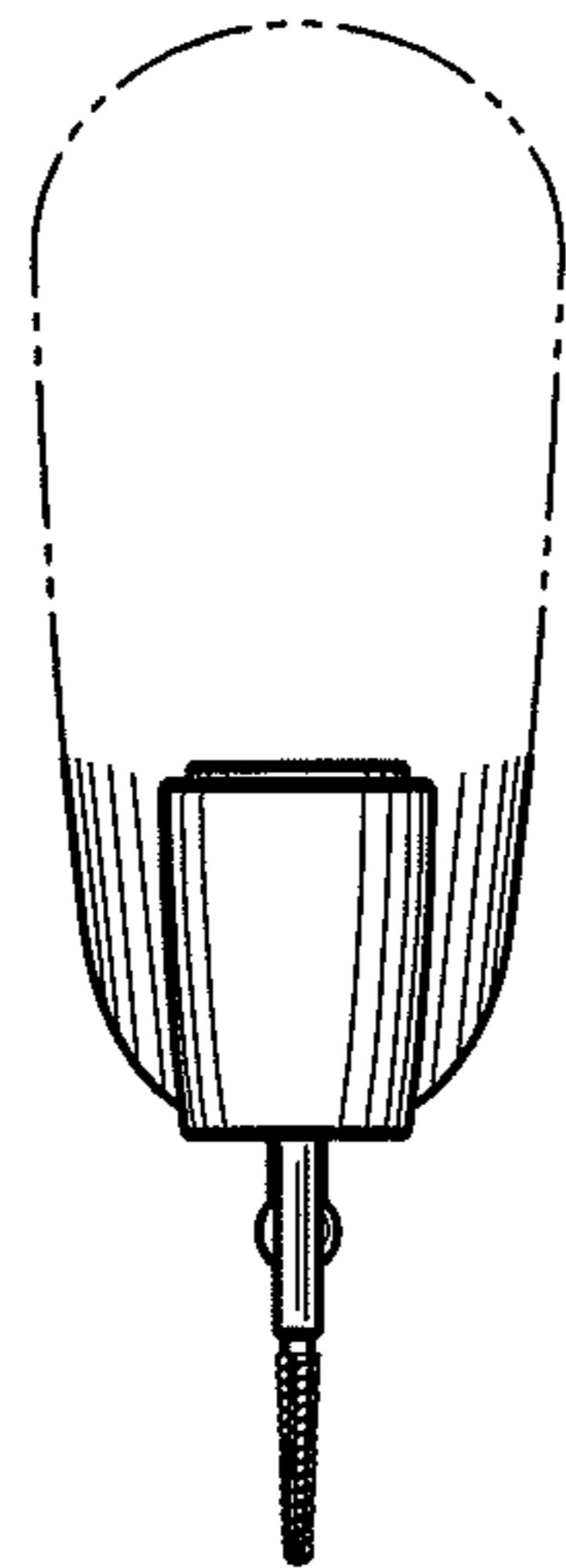


FIG. 15

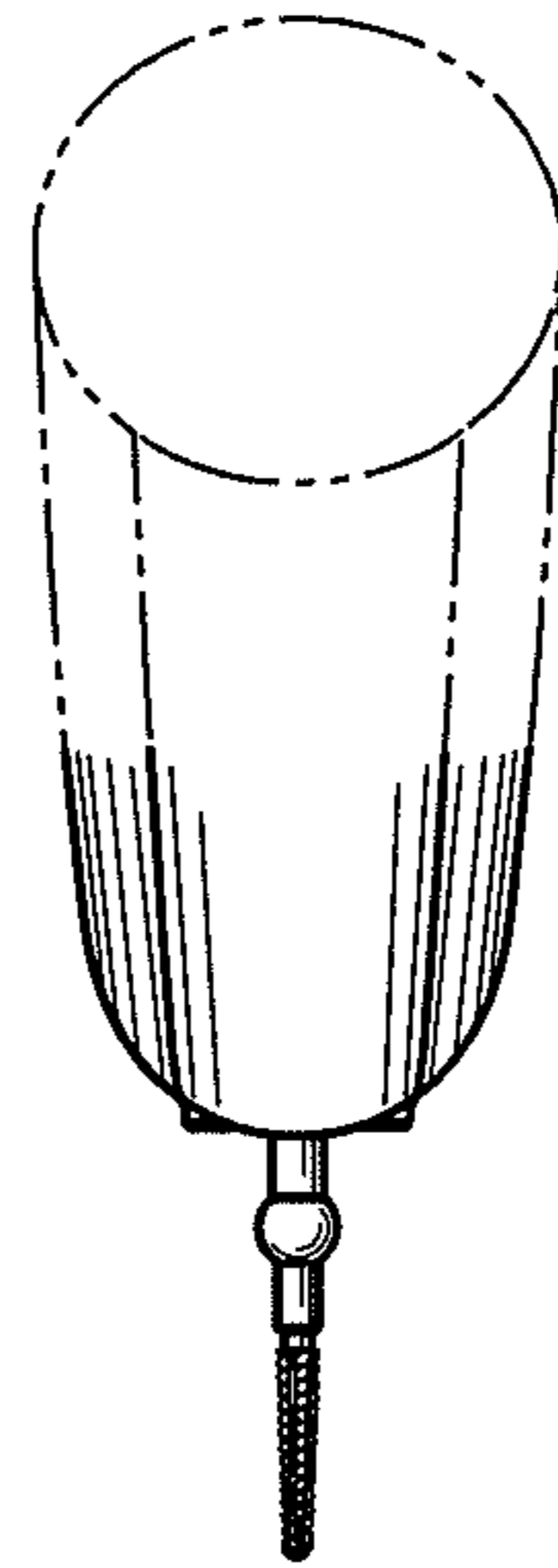


FIG. 16