



US00D708328S

(12) **United States Design Patent**
Bannerman et al.

(10) **Patent No.:** **US D708,328 S**

(45) **Date of Patent:** **** Jul. 1, 2014**

(54) **INSERTION DEVICE AND COMPONENT**

(71) Applicant: **Classic Wire Cut Co., Inc.**, Valencia, CA (US)

(72) Inventors: **Brett B. Bannerman**, Canyon Country, AZ (US); **Jay H. Kamp**, Castaic, CA (US)

(73) Assignee: **Classic Wire Cut Co., Inc.**, Valencia, CA (US)

(**) Term: **14 Years**

(21) Appl. No.: **29/450,028**

(22) Filed: **Mar. 15, 2013**

(51) **LOC (10) Cl.** **D24-12**

(52) **U.S. Cl.**
USPC **D24/141; D24/108**

(58) **Field of Classification Search**
USPC D24/141, 133, 145-146, 108, 112, 113, D24/129, 114, 147; 600/114, 131; 604/19, 604/27, 30, 38, 218, 227, 207; 606/108, 99
See application file for complete search history.

(56) **References Cited**

U.S. PATENT DOCUMENTS

D378,939	S	*	4/1997	Smith et al.	D24/112
5,792,149	A	*	8/1998	Sherts et al.	D24/133
D483,475	S	*	12/2003	Kirwan et al.	D24/108
D495,413	S	*	8/2004	Perry et al.	D24/108
D638,540	S	*	5/2011	Ijiri et al.	D24/133
D658,759	S	*	5/2012	Marescaux et al.	D24/133
8,409,213	B2	*	4/2013	Trudeau et al.	606/99
D697,618	S	*	1/2014	Gonzales et al.	D24/133

* cited by examiner

Primary Examiner — Wan Laymon

(74) *Attorney, Agent, or Firm* — Myers Andras LLP; Joseph C. Andras

(57) **CLAIM**

The ornamental design for a insertion device and component, as shown and described.

DESCRIPTION

FIG. 1 is a front perspective view of a first embodiment of our design comprising a handle portion of an insertion device and component;

FIG. 2 is a back perspective view of the first embodiment;

FIG. 3 is a front view of the first embodiment;

FIG. 4 is a back view of the first embodiment;

FIG. 5 is a left side view of the first embodiment;

FIG. 6 is a right side view of the first embodiment;

FIG. 7 is a top view of the first embodiment;

FIG. 8 is a bottom view of the first embodiment;

FIG. 9 is a front perspective view of a second embodiment of our design comprising a handle portion of an insertion device and component;

FIG. 10 is a back perspective view of the second embodiment;

FIG. 11 is a back view of the second embodiment;

FIG. 12 is a front view of the second embodiment;

FIG. 13 is a left side view of the second embodiment;

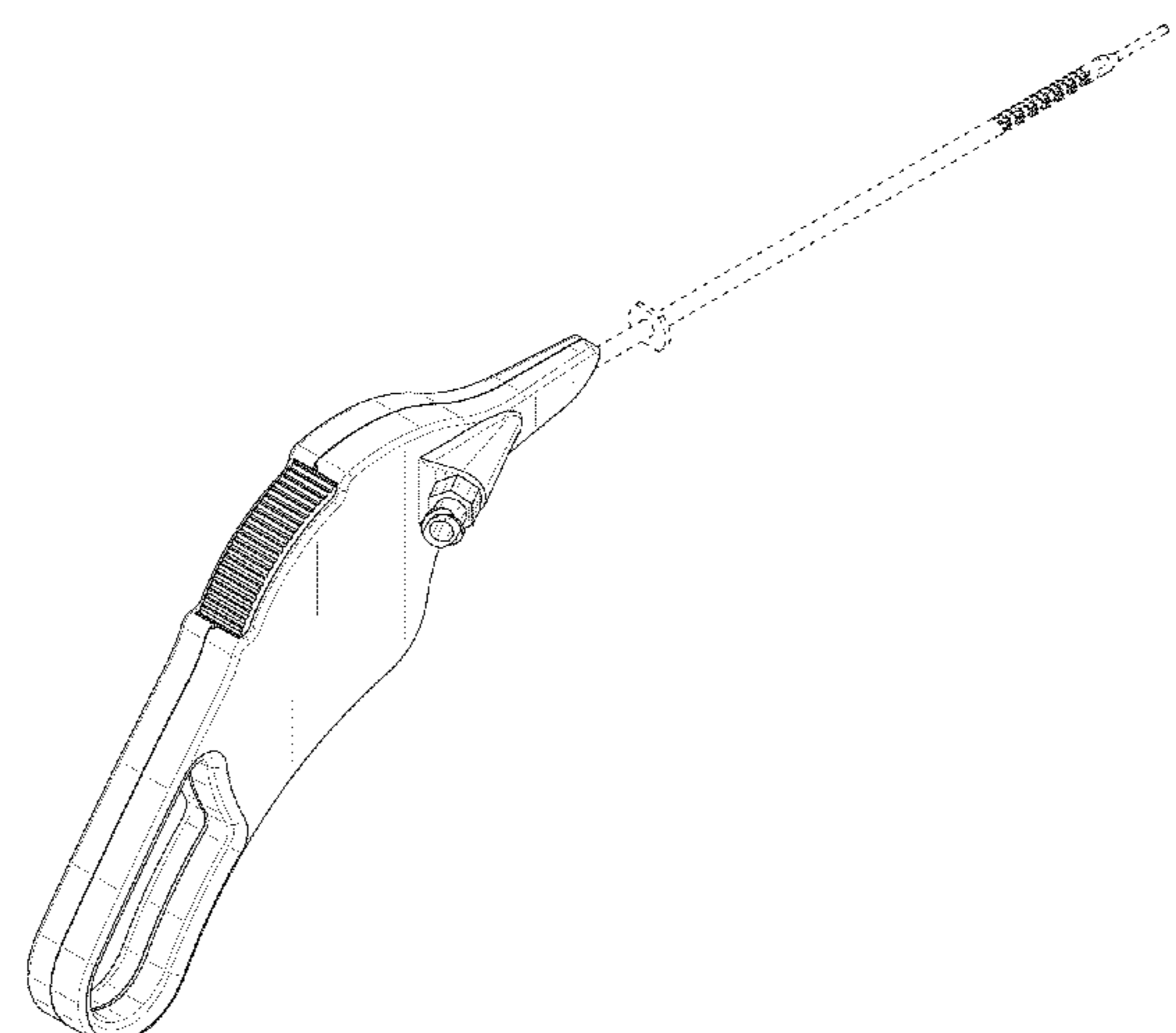
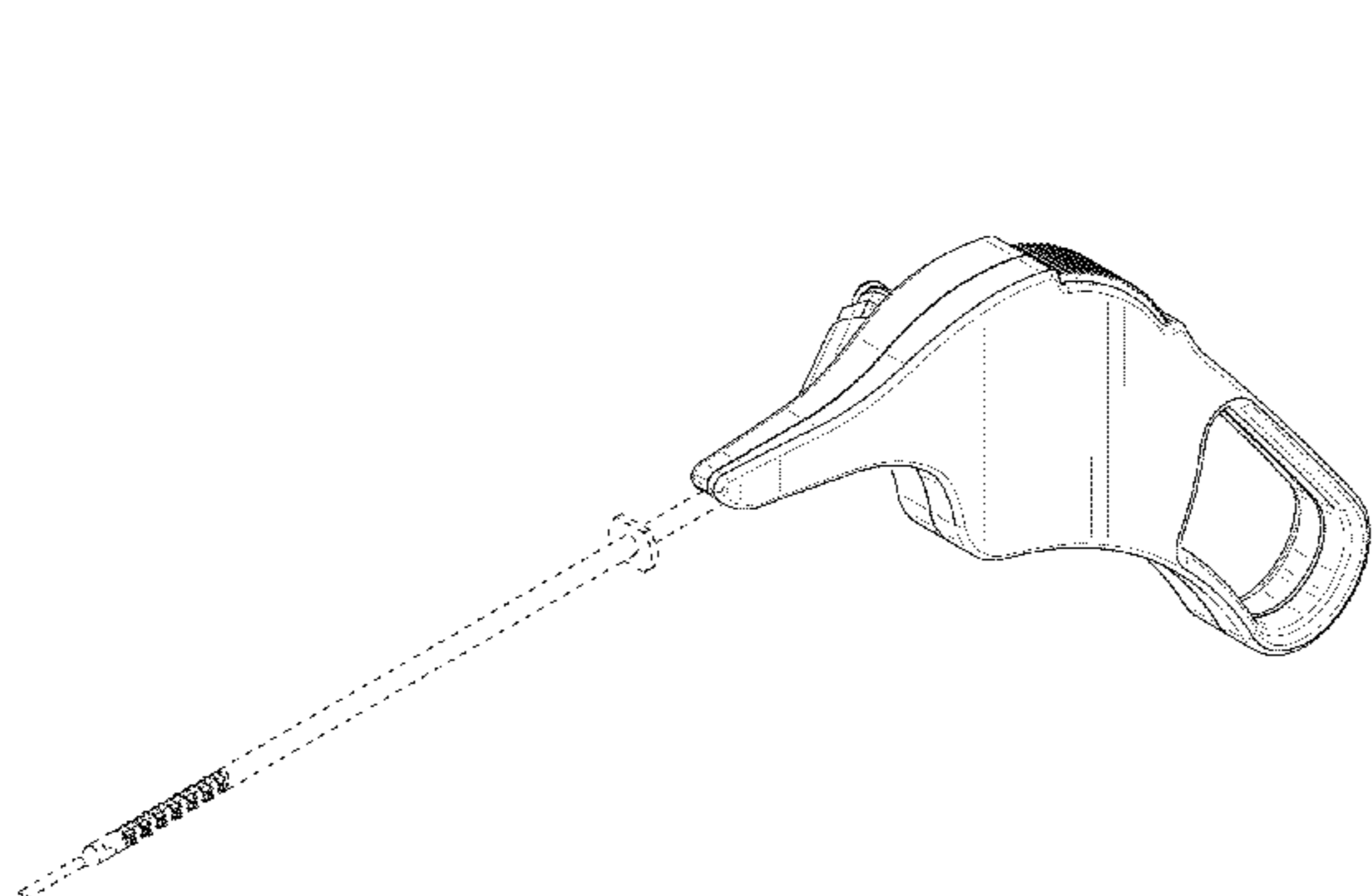
FIG. 14 is a right side view of the second embodiment;

FIG. 15 is a top view of the second embodiment; and,

FIG. 16 is a bottom view of the second embodiment.

The dashed lines in FIGS. 1-16 represent environmental structure and form no part of the claimed designs.

1 Claim, 12 Drawing Sheets



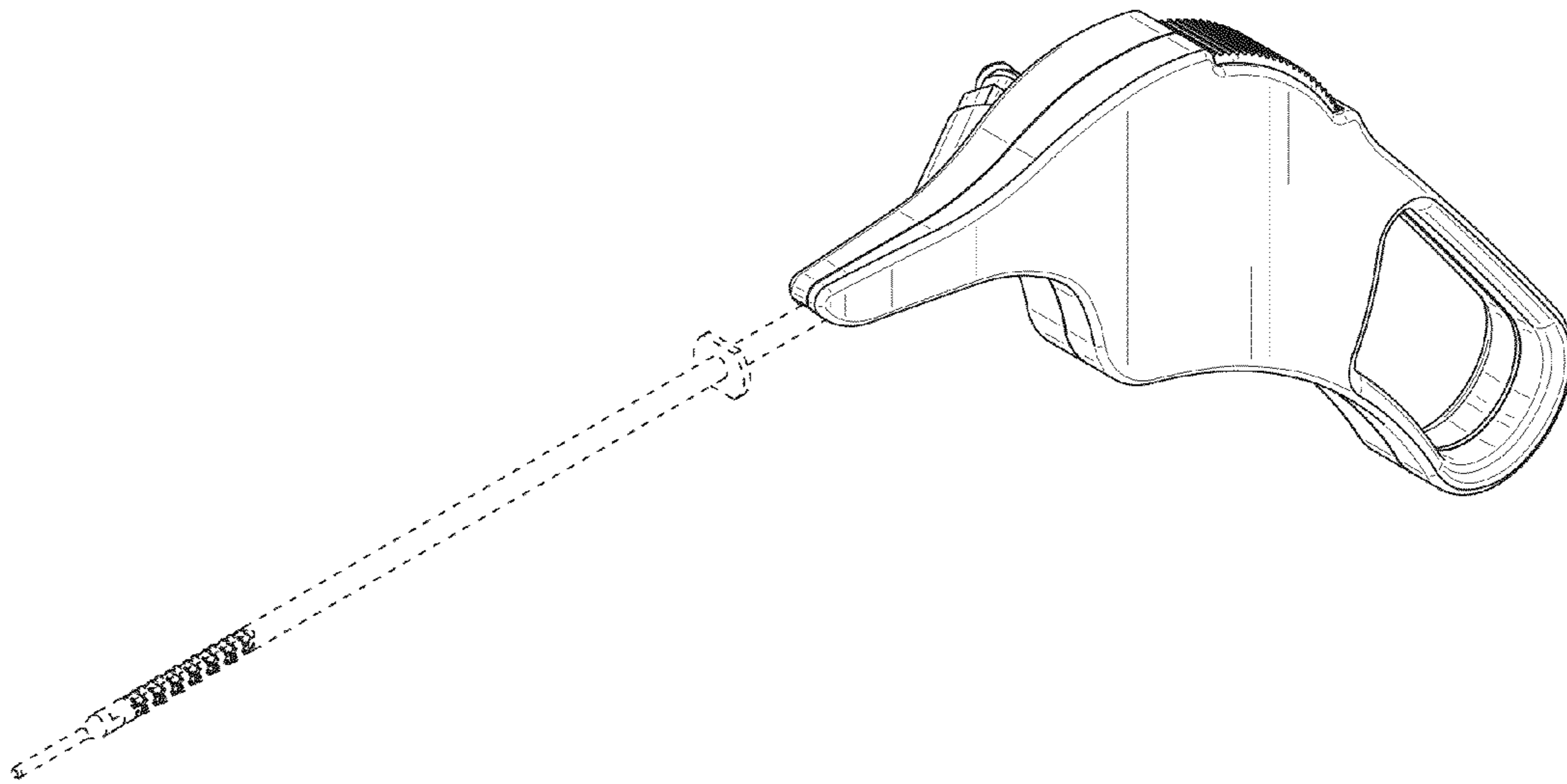


FIG. 1

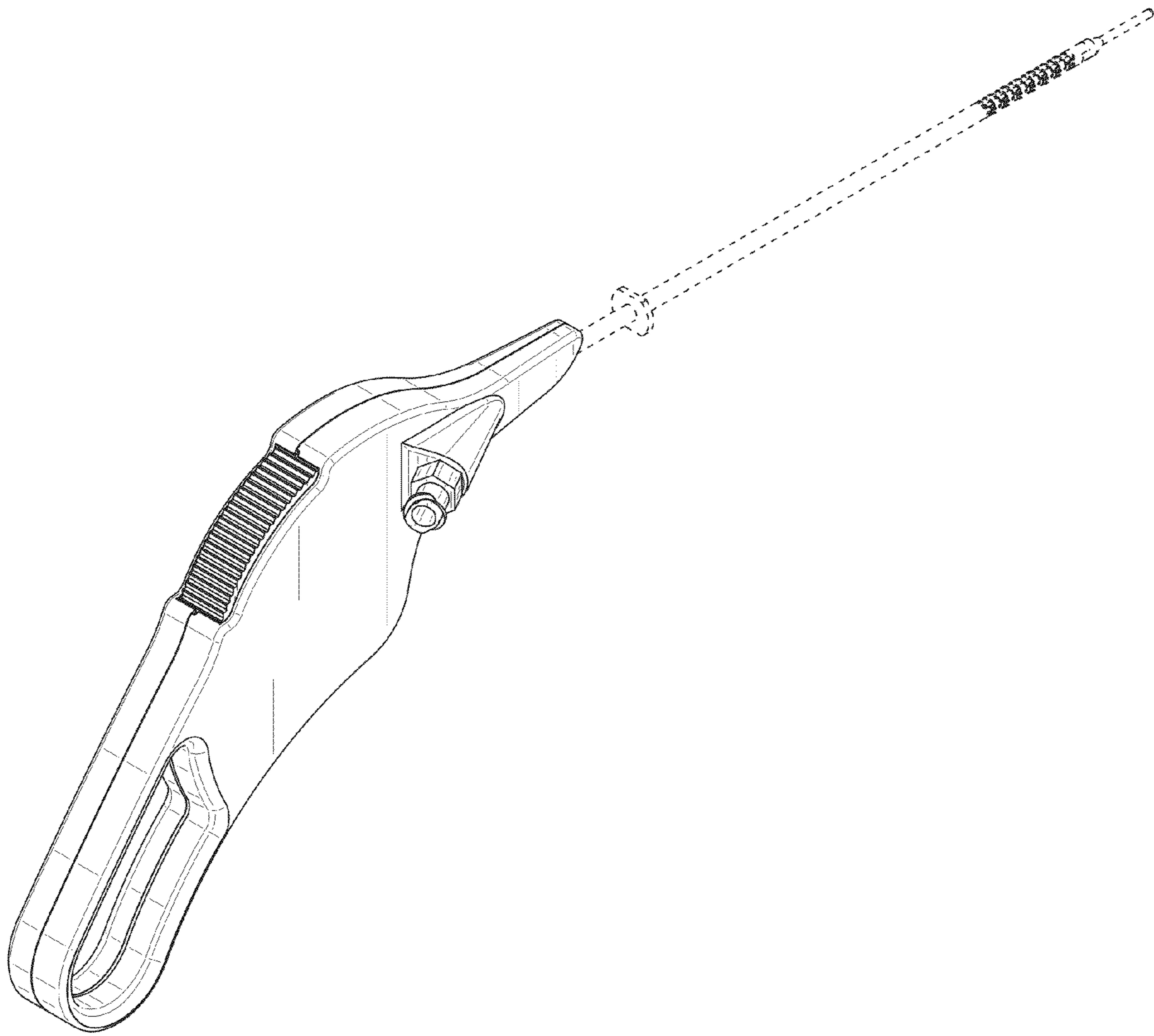


FIG. 2

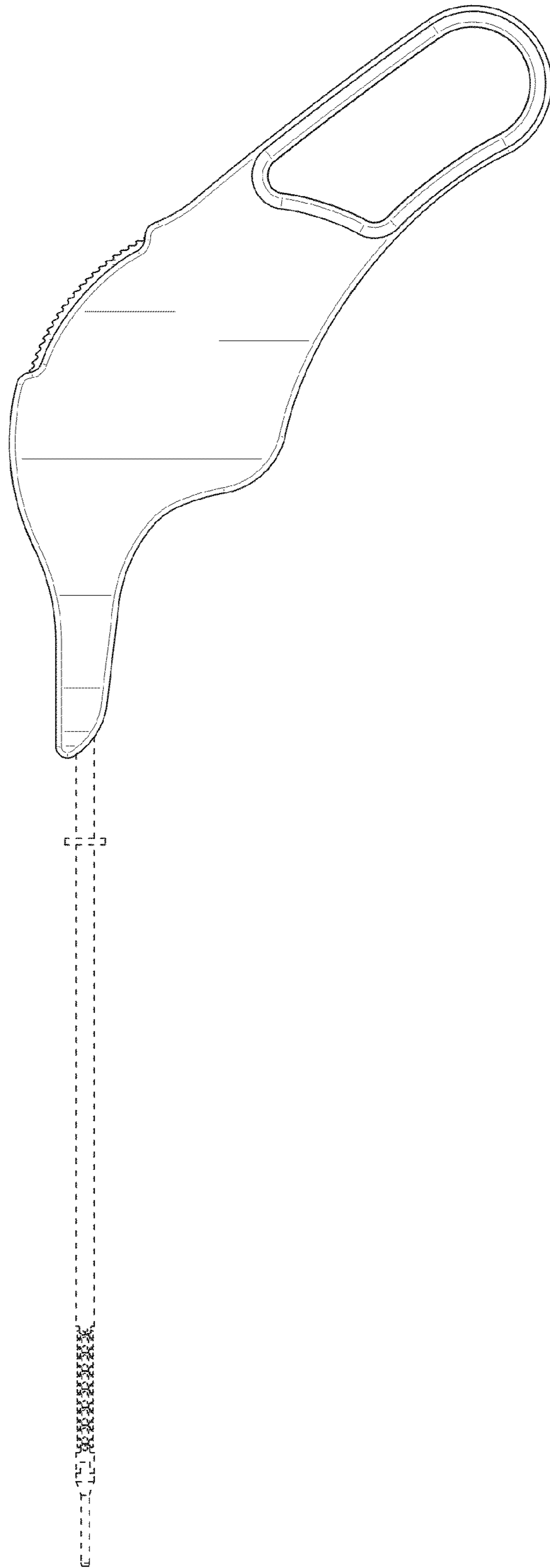


FIG. 3

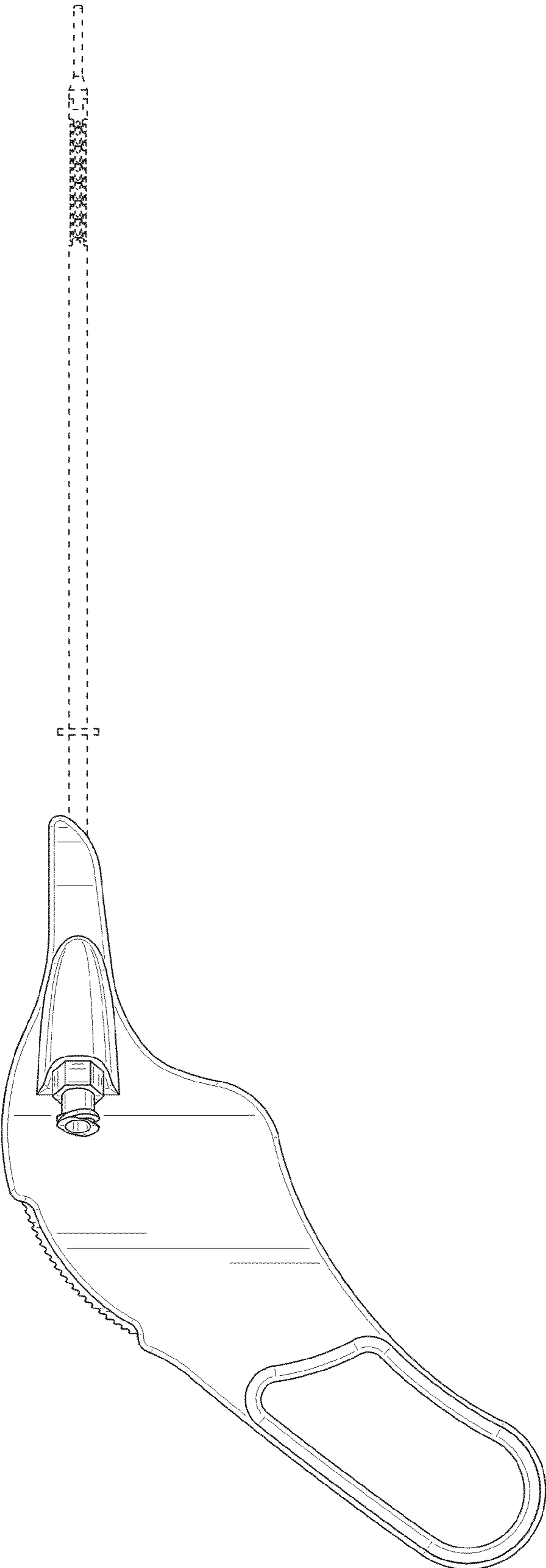


FIG. 4

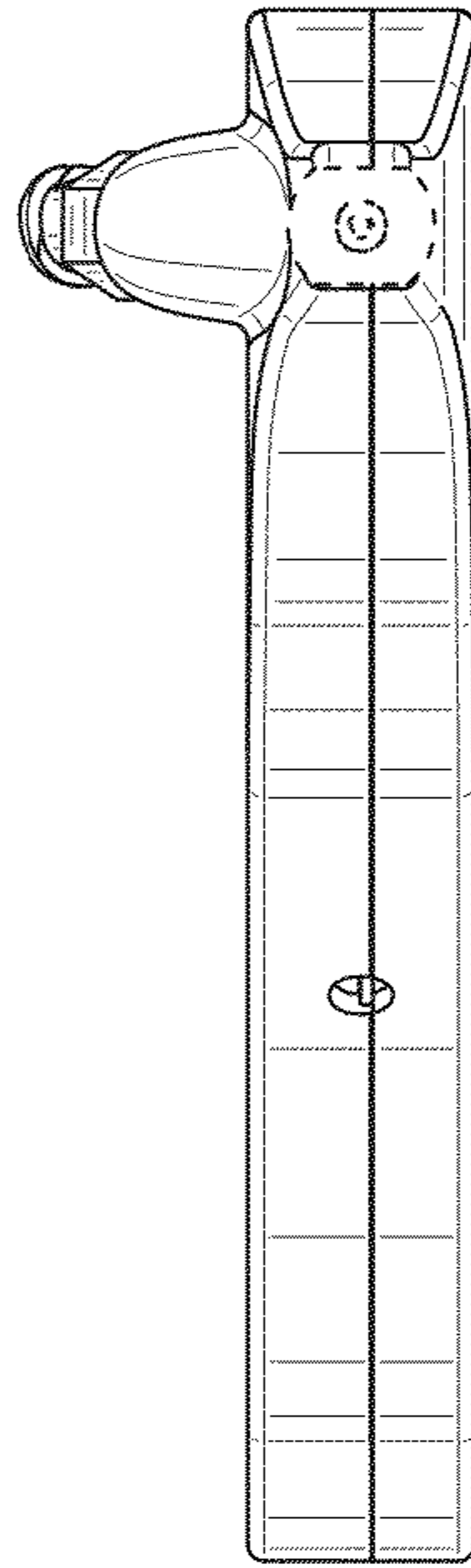


FIG. 5

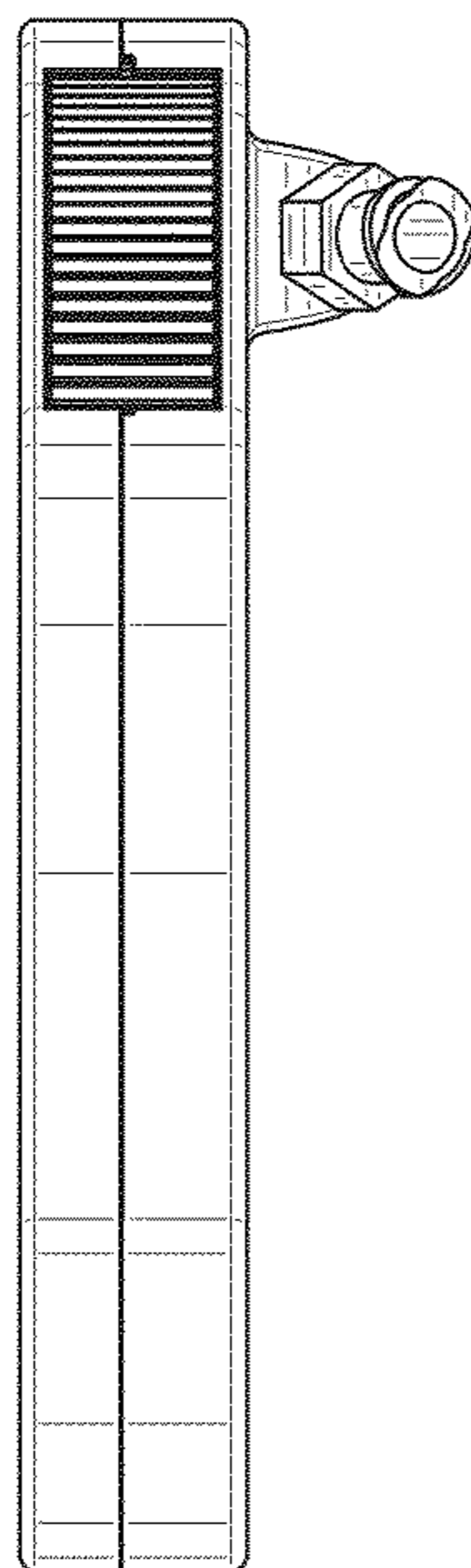


FIG. 6

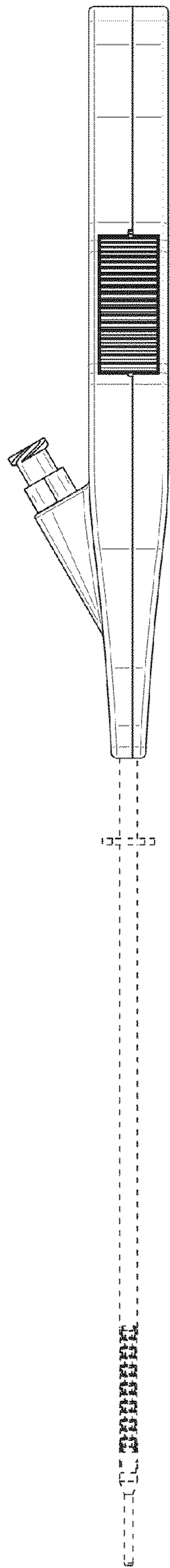


FIG. 7

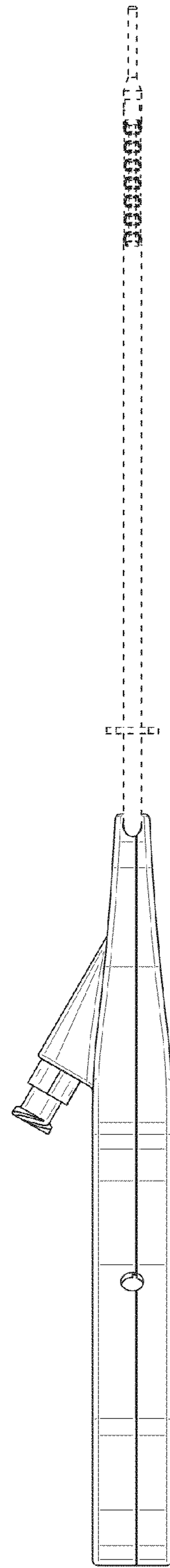


FIG. 8

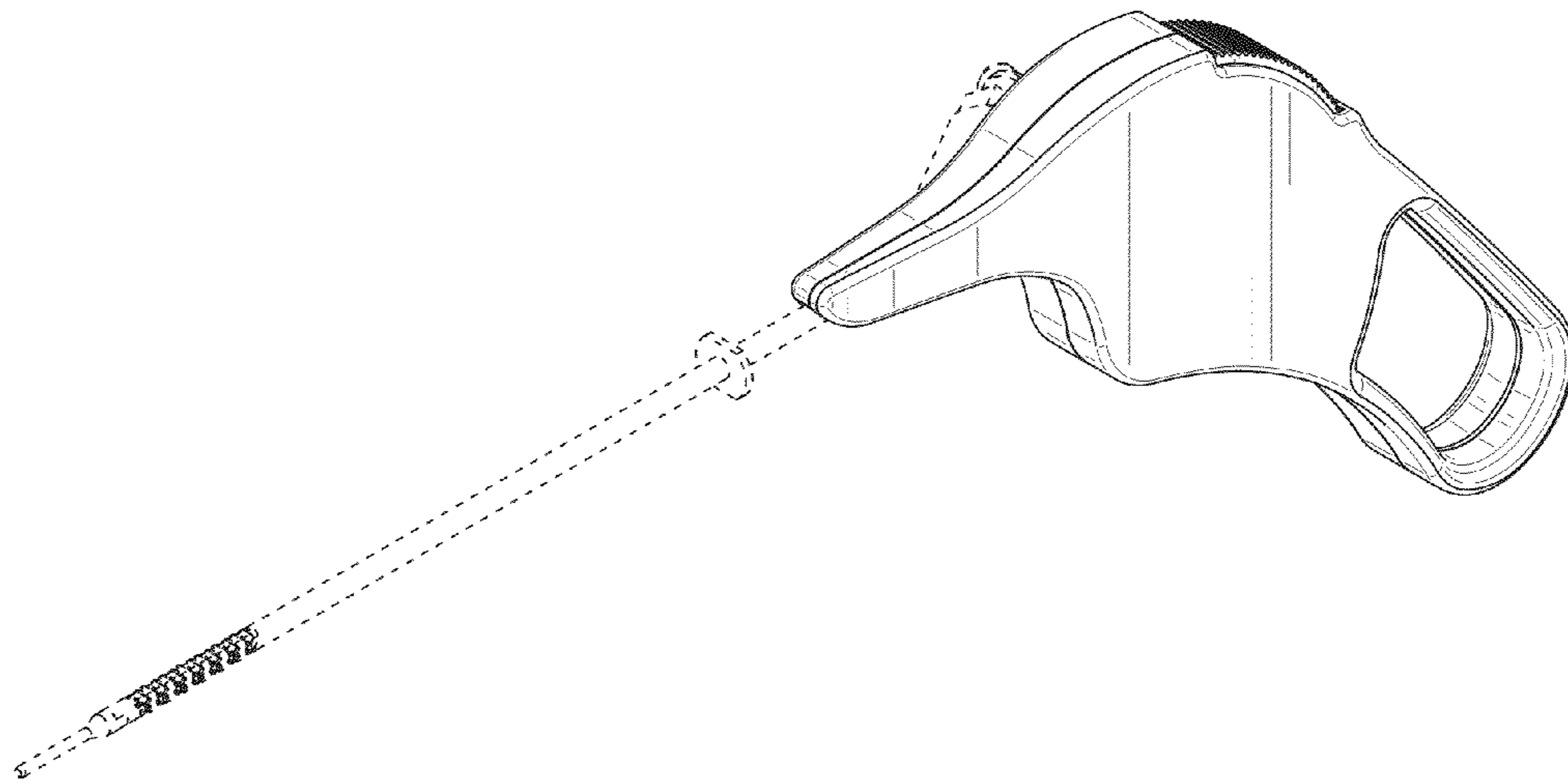


FIG. 9

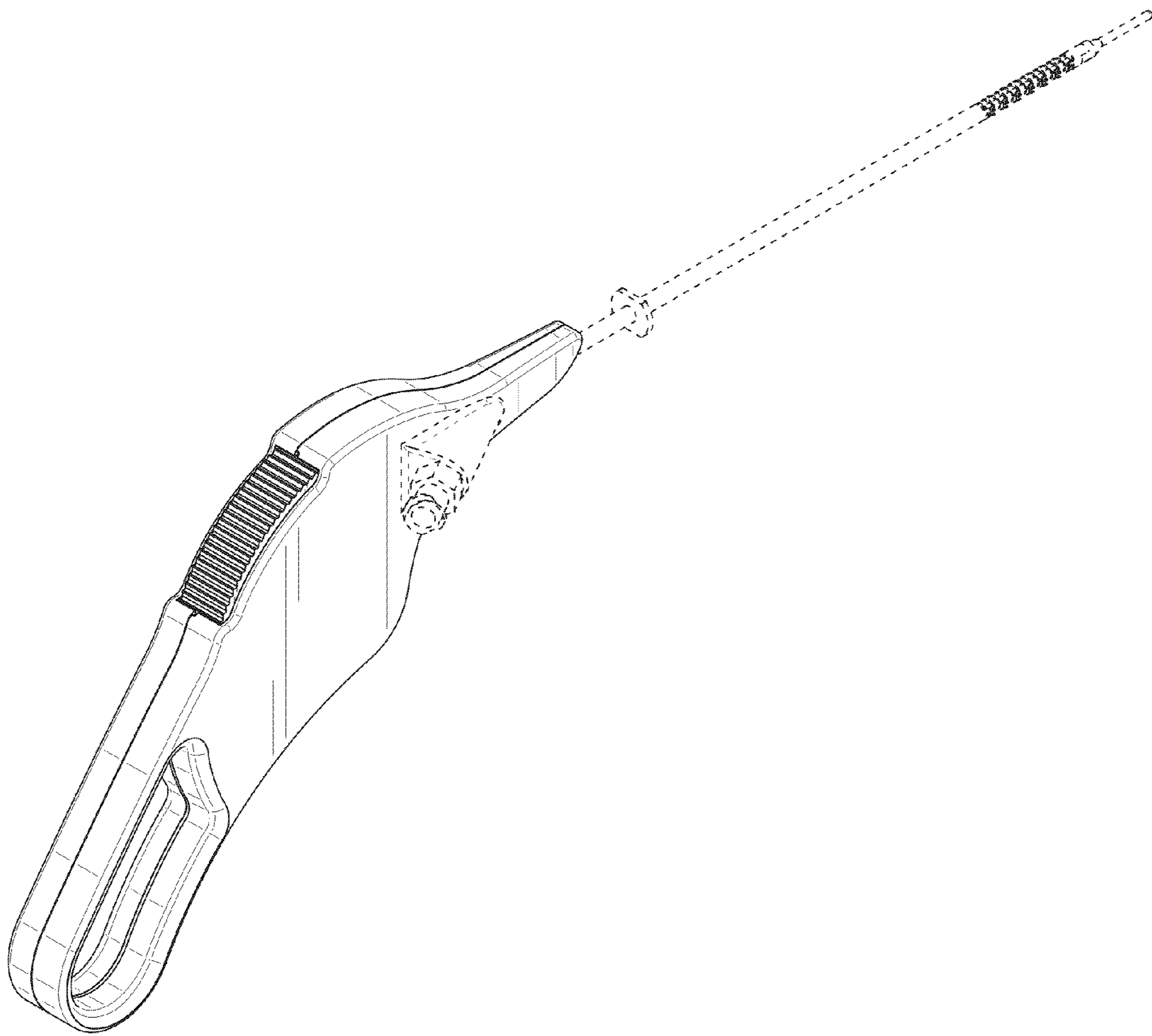


FIG. 10

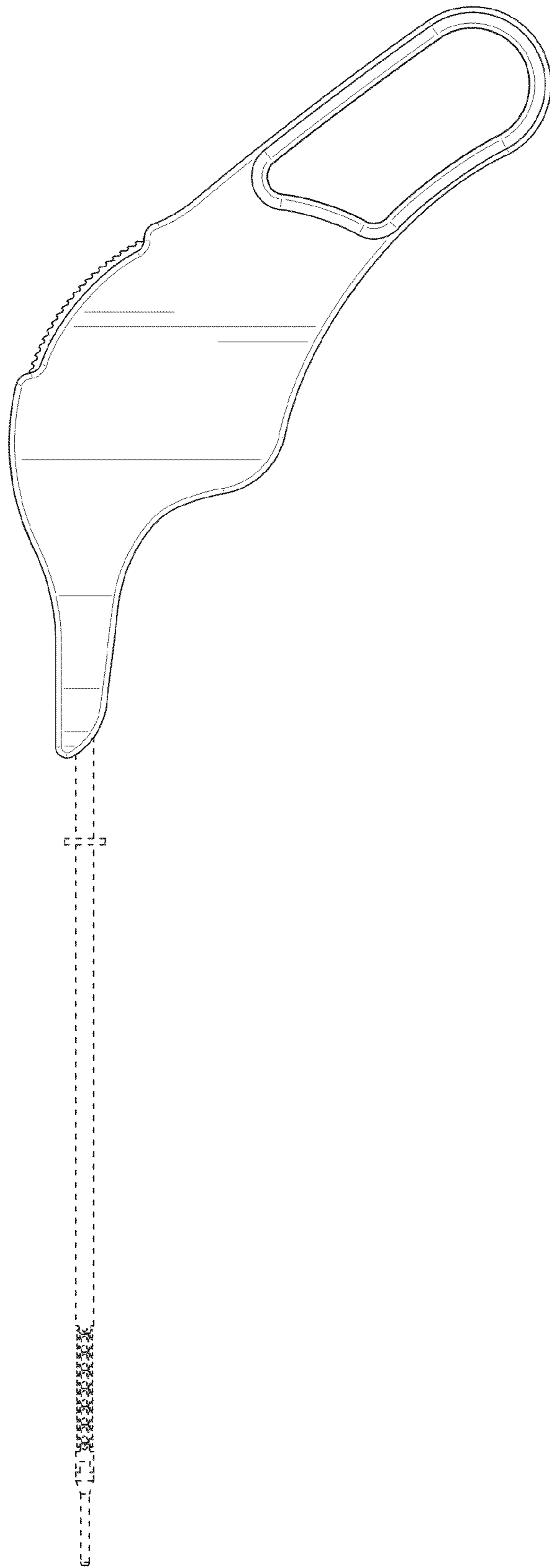


FIG. 11

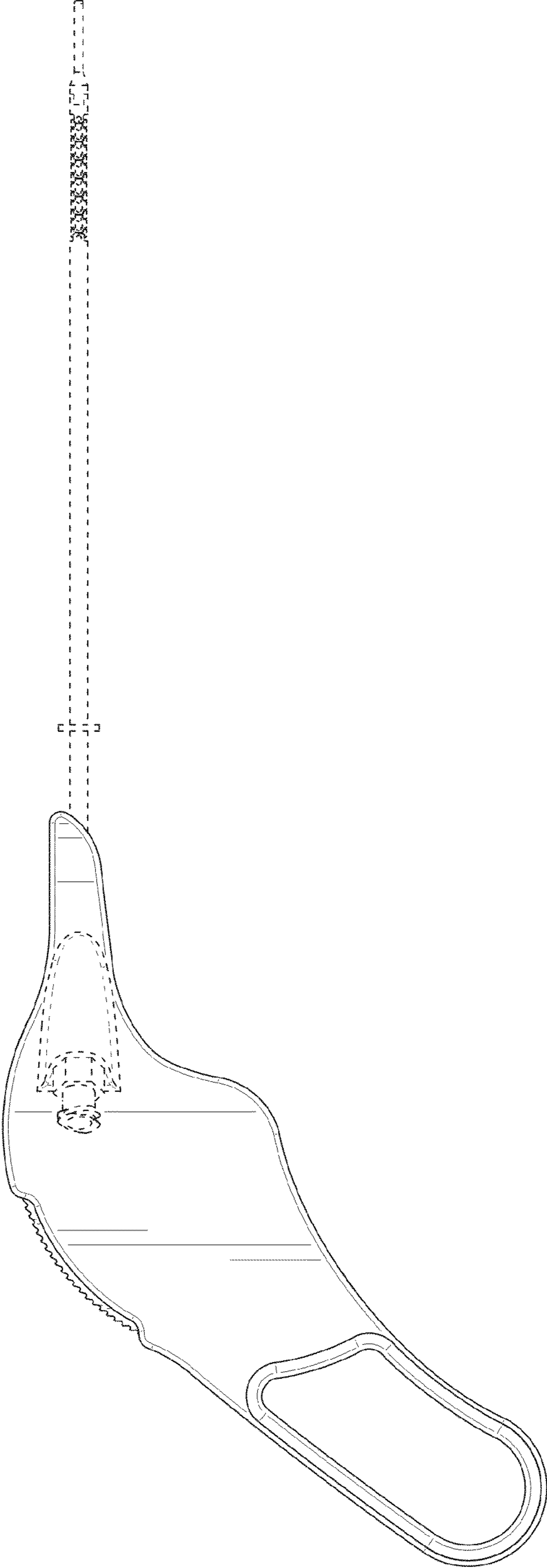


FIG. 12

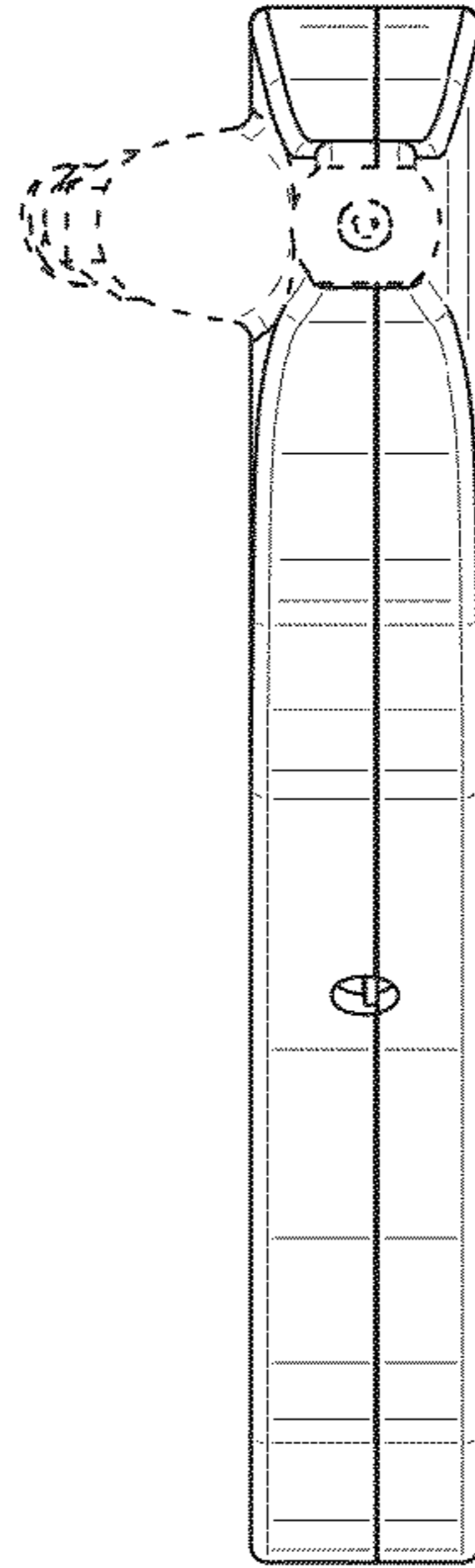


FIG. 13

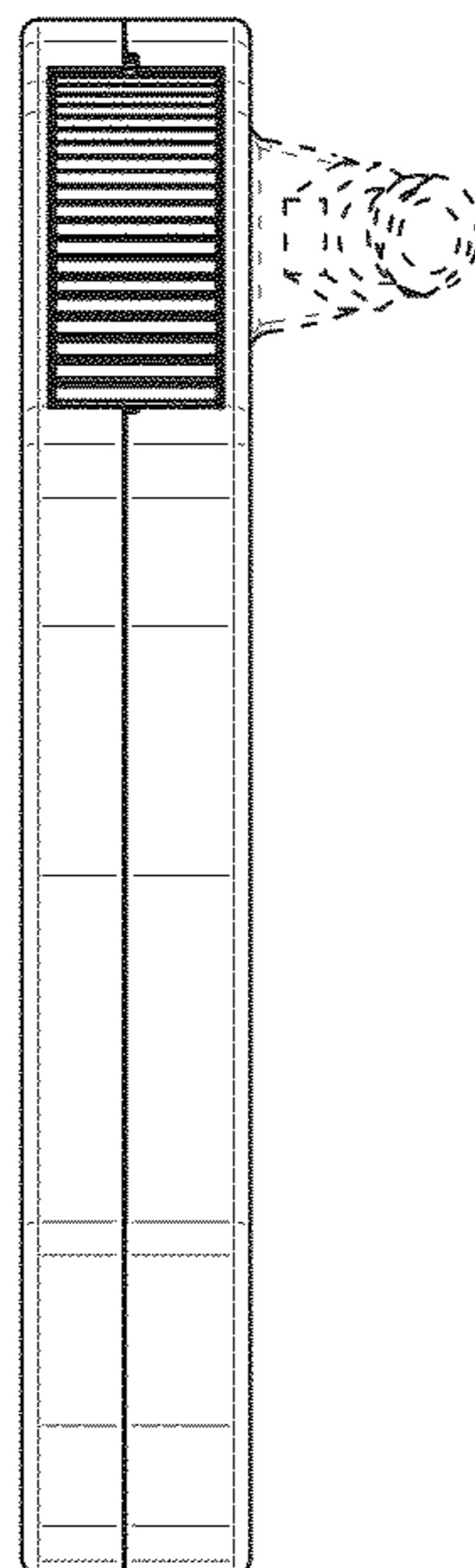


FIG. 14

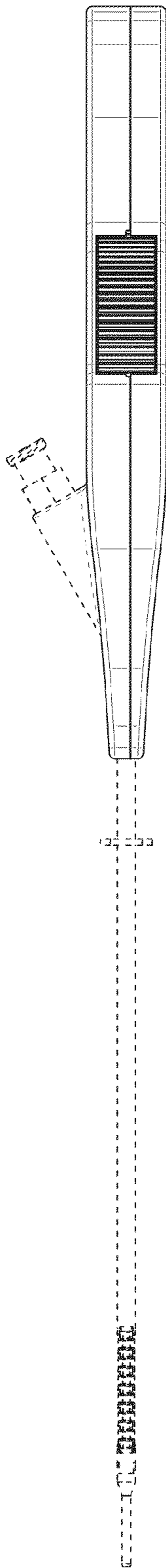


FIG. 15

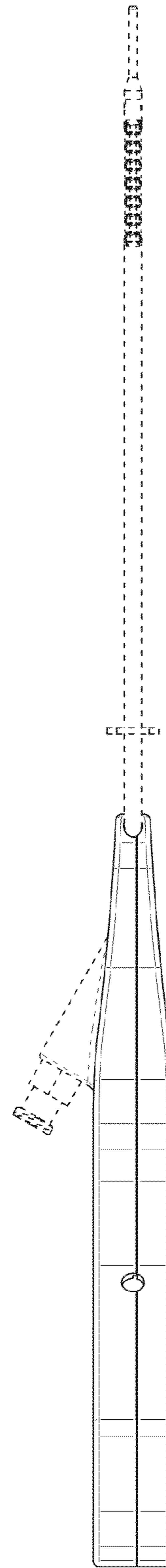


FIG. 16