



US00D708327S

(12) **United States Design Patent**
Wang et al.

(10) **Patent No.:** **US D708,327 S**

(45) **Date of Patent:** **** Jul. 1, 2014**

- (54) **VIDEO LARYNGOSCOPE**
- (71) Applicant: **Taizhou Hanchuang Medical Apparatus Technology Co., Ltd.**, Taizhou (CN)
- (72) Inventors: **Weidong Wang**, Taizhou (CN); **Fushan Xue**, Taizhou (CN); **Aihua Chen**, Taizhou (CN); **Benquan Yang**, Taizhou (CN)
- (73) Assignee: **Taizhou Hanchuang Medical Apparatus Technology Co., Ltd.**, Taizhou, Zhejiang Province (CN)
- (**) Term: **14 Years**
- (21) Appl. No.: **29/434,581**
- (22) Filed: **Oct. 15, 2012**
- (51) **LOC (10) Cl.** **24-04**
- (52) **U.S. Cl.**
USPC **D24/137**
- (58) **Field of Classification Search**
USPC D24/137, 133, 135, 136, 138;
600/185–199, 184, 200; 606/196,
606/191–195, 197–200
See application file for complete search history.

D651,711	S	*	1/2012	McGrath et al.	D24/137
D659,840	S	*	5/2012	Cheng et al.	D24/186
D663,026	S	*	7/2012	McGrail et al.	D24/137
D669,172	S	*	10/2012	McGrail et al.	D24/137
2002/0022769	A1	*	2/2002	Smith et al.	600/188
2003/0195390	A1	*	10/2003	Graumann	600/188
2008/0312507	A1	*	12/2008	Kim	600/188
2009/0322867	A1	*	12/2009	Carrey et al.	348/77
2011/0130632	A1	*	6/2011	McGrail et al.	600/188

FOREIGN PATENT DOCUMENTS

CN	RGN 302204066	*	11/2012
EM	RGN	*	10/2012
	002115584-0002		

* cited by examiner

Primary Examiner — Bridget L Eland

(74) *Attorney, Agent, or Firm* — Jacobson Holman PLLC

(57) **CLAIM**

We claim the ornamental design for the video laryngoscope, as shown and described.

DESCRIPTION

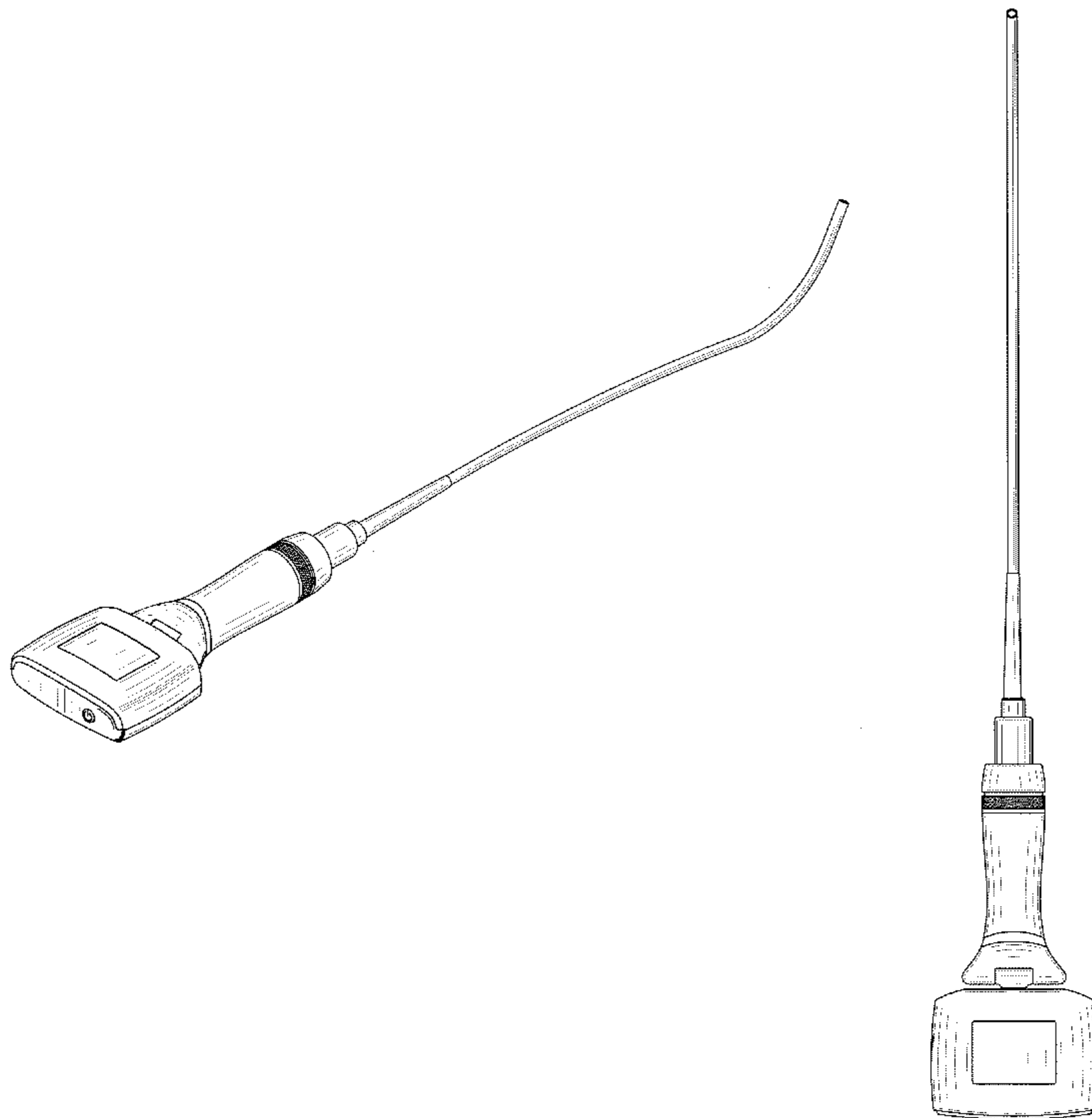
FIG. 1 is a perspective view of the video laryngoscope showing the design;
 FIG. 2 is a top plan view thereof;
 FIG. 3 is a bottom plan view thereof;
 FIG. 4 is a front elevational view thereof;
 FIG. 5 is a rear elevational view thereof;
 FIG. 6 is a left side view thereof; and,
 FIG. 7 is a right side view thereof.

1 Claim, 4 Drawing Sheets

(56) **References Cited**

U.S. PATENT DOCUMENTS

D637,715	S	*	5/2011	Clarke et al.	D24/137
D637,717	S	*	5/2011	Clarke et al.	D24/137



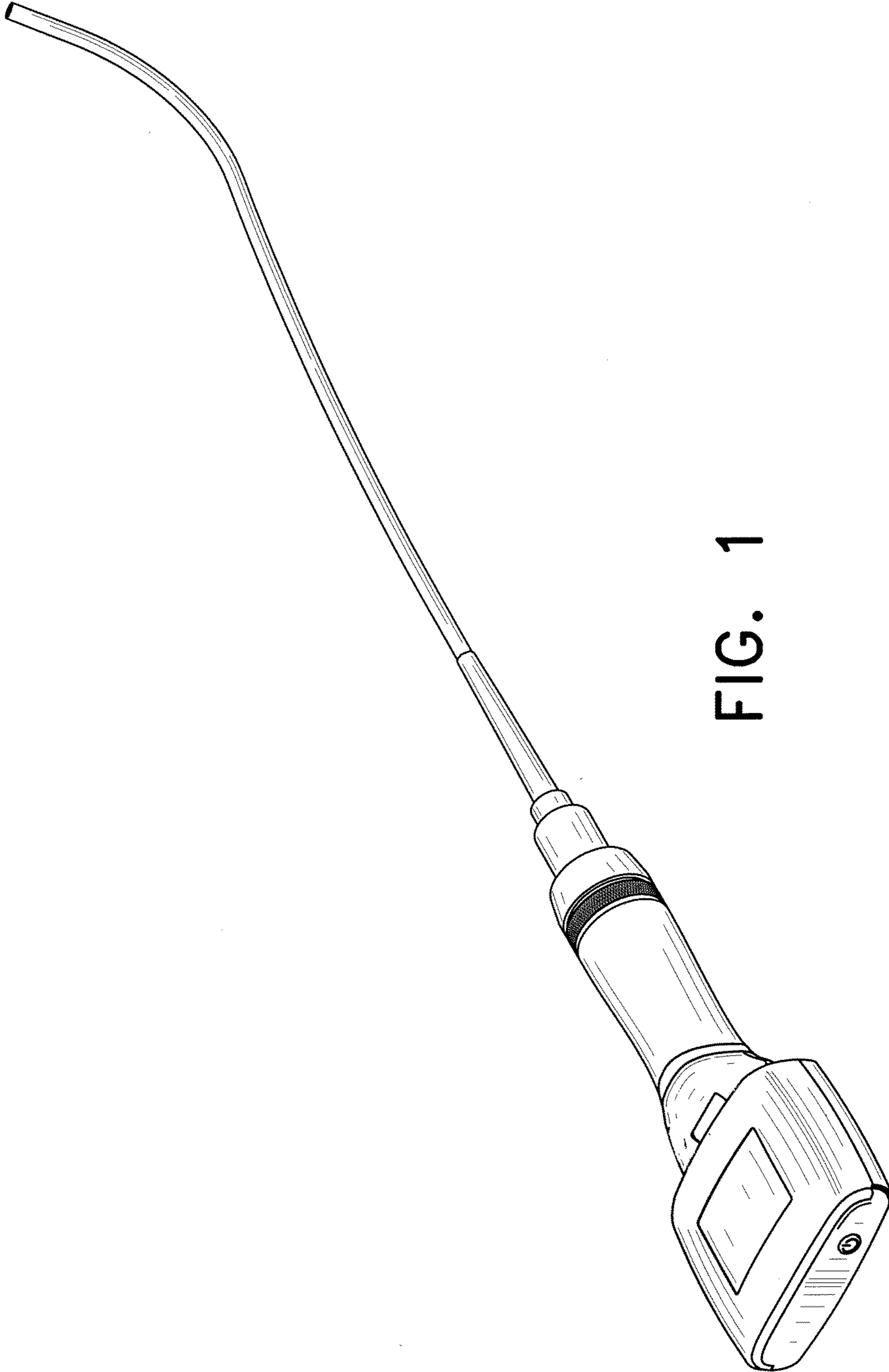


FIG. 1

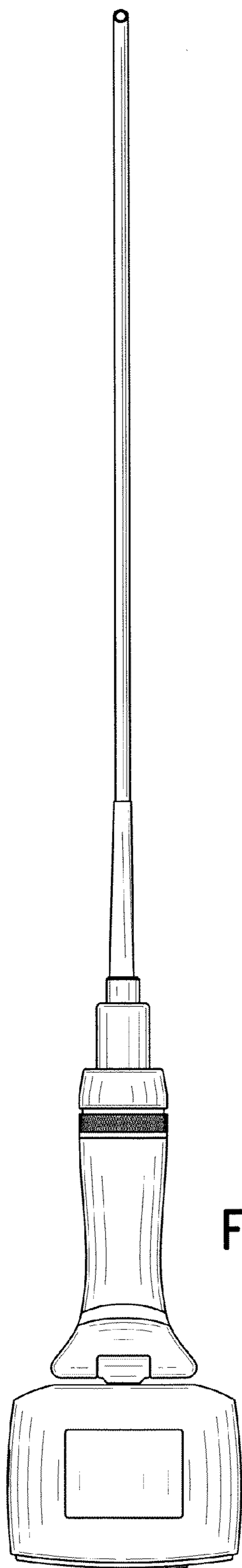


FIG. 2

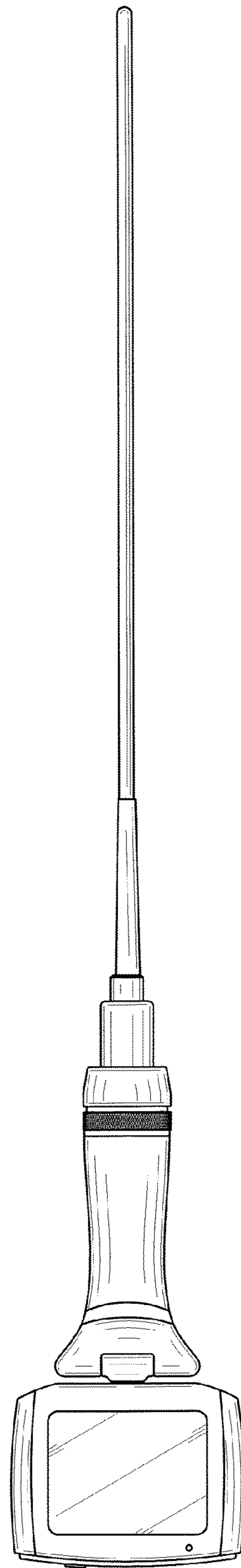


FIG. 3

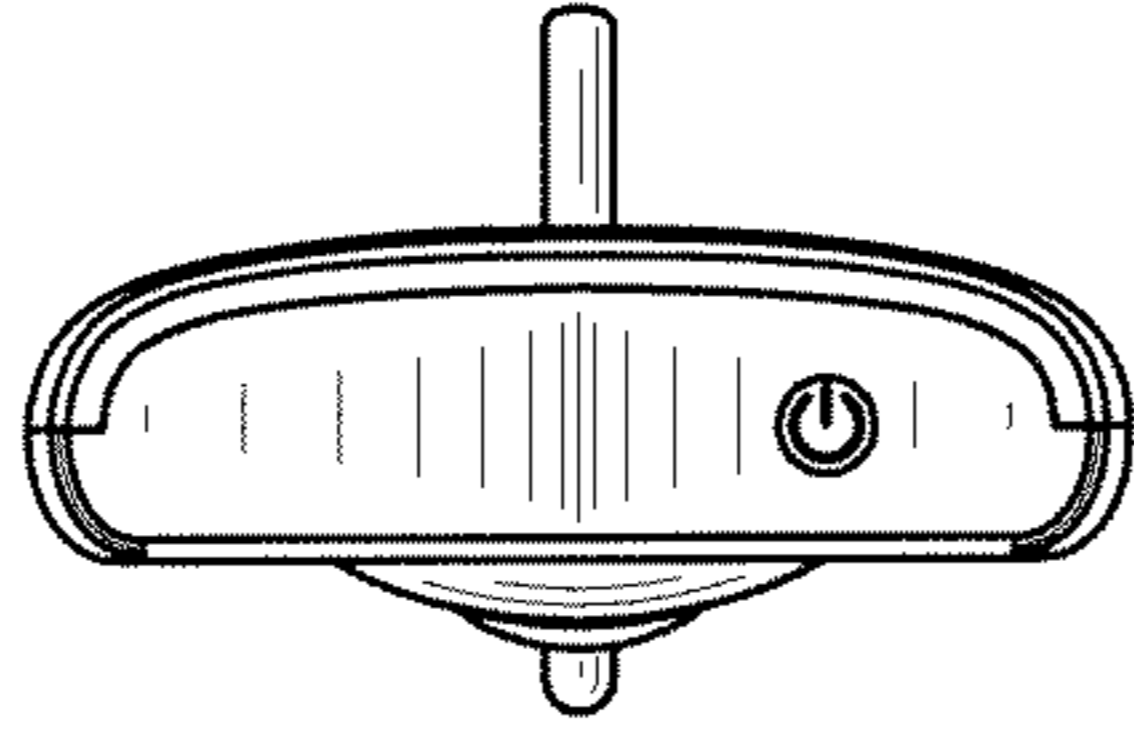


FIG. 4

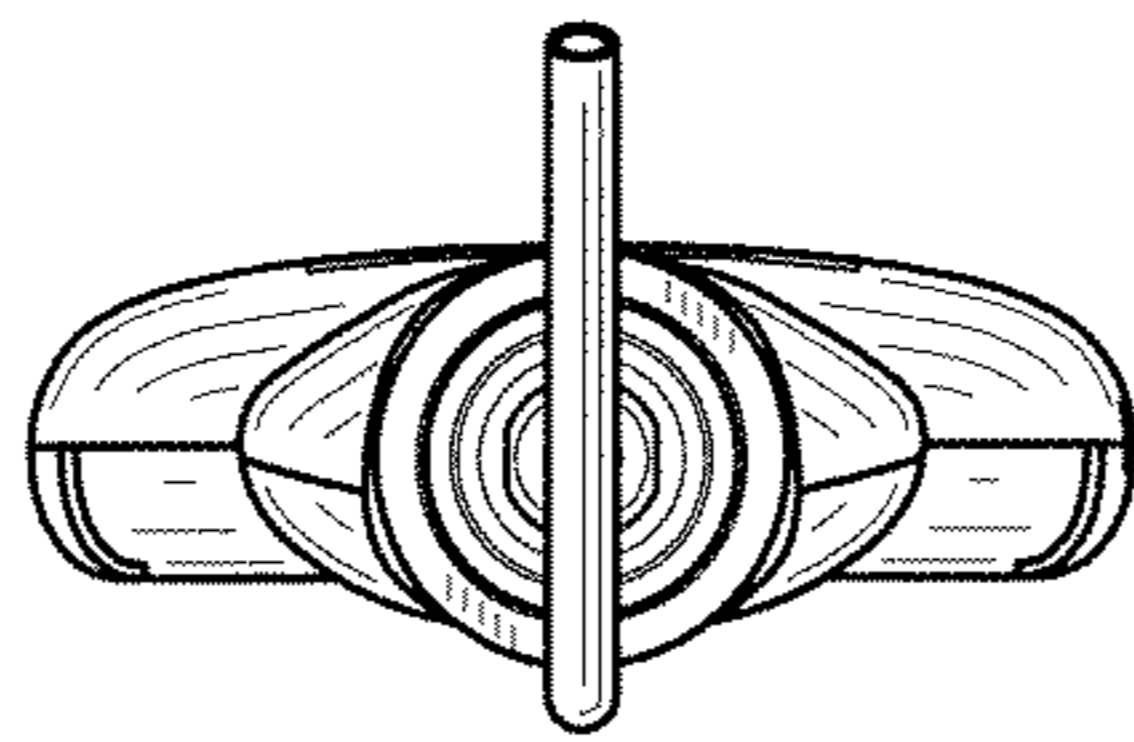


FIG. 5

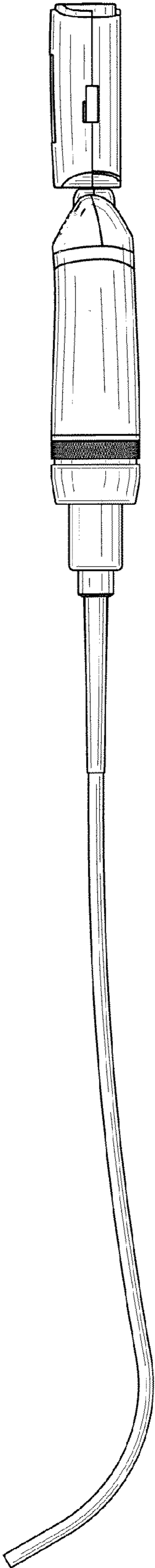


FIG. 6

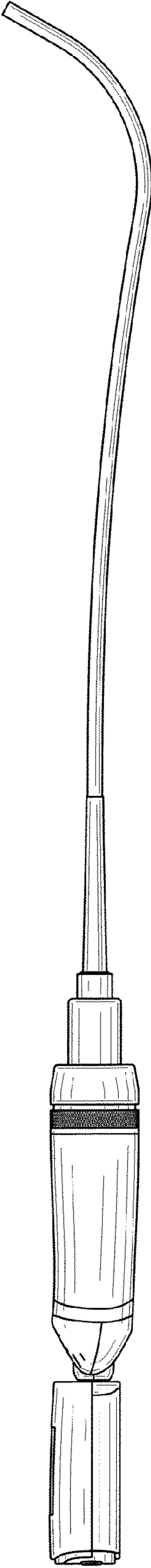


FIG. 7