



US00D708326S

(12) **United States Design Patent**
Wang et al.

(10) **Patent No.:** **US D708,326 S**

(45) **Date of Patent:** **** Jul. 1, 2014**

(54) **VIDEO LARYNGOSCOPE**

(71) Applicant: **Taizhou Hanchuang Medical Apparatus Technology Co., Ltd.**,
Taizhou (CN)

(72) Inventors: **Weidong Wang**, Taizhou (CN); **Fushan Xue**, Taizhou (CN); **Aihua Chen**, Taizhou (CN); **Benquan Yang**, Taizhou (CN)

(73) Assignee: **Taizhou Hanchuang Medical Apparatus Technology Co., Ltd.**,
Taizhou, Zhejiang Province (CN)

(**) Term: **14 Years**

(21) Appl. No.: **29/434,574**

(22) Filed: **Oct. 15, 2012**

(51) **LOC (10) Cl.** **24-02**

(52) **U.S. Cl.**
USPC **D24/137**

(58) **Field of Classification Search**
USPC D24/137, 133, 135, 136, 138;
600/185-199, 184, 200; 606/196,
606/191-195, 197-200

See application file for complete search history.

(56) **References Cited**

U.S. PATENT DOCUMENTS

D637,715 S * 5/2011 Clarke et al. D24/137
D637,717 S * 5/2011 Clarke et al. D24/137
D651,711 S * 1/2012 McGrath et al. D24/137

D659,840 S * 5/2012 Cheng et al. D24/186
D663,026 S * 7/2012 McGrail et al. D24/137
D669,172 S * 10/2012 McGrail et al. D24/137
2002/0022769 A1 * 2/2002 Smith et al. 600/188
2003/0195390 A1 * 10/2003 Graumann 600/188
2008/0312507 A1 * 12/2008 Kim 600/188
2009/0322867 A1 * 12/2009 Carrey et al. 348/77
2011/0130632 A1 * 6/2011 McGrail et al. 600/188

FOREIGN PATENT DOCUMENTS

CN RGN 301942044 * 5/2012
CN RGN 302256565 * 12/2012
EM RGN * 10/2012
002115584-0001

* cited by examiner

Primary Examiner — Bridget L Eland

(74) *Attorney, Agent, or Firm* — Jacobson Holman PLLC

(57) **CLAIM**

We claim the ornamental design for the video laryngoscope, as shown and described.

DESCRIPTION

FIG. 1 is a perspective view of the video laryngoscope showing the design;

FIG. 2 is a top plan view thereof;

FIG. 3 is a bottom plan view thereof;

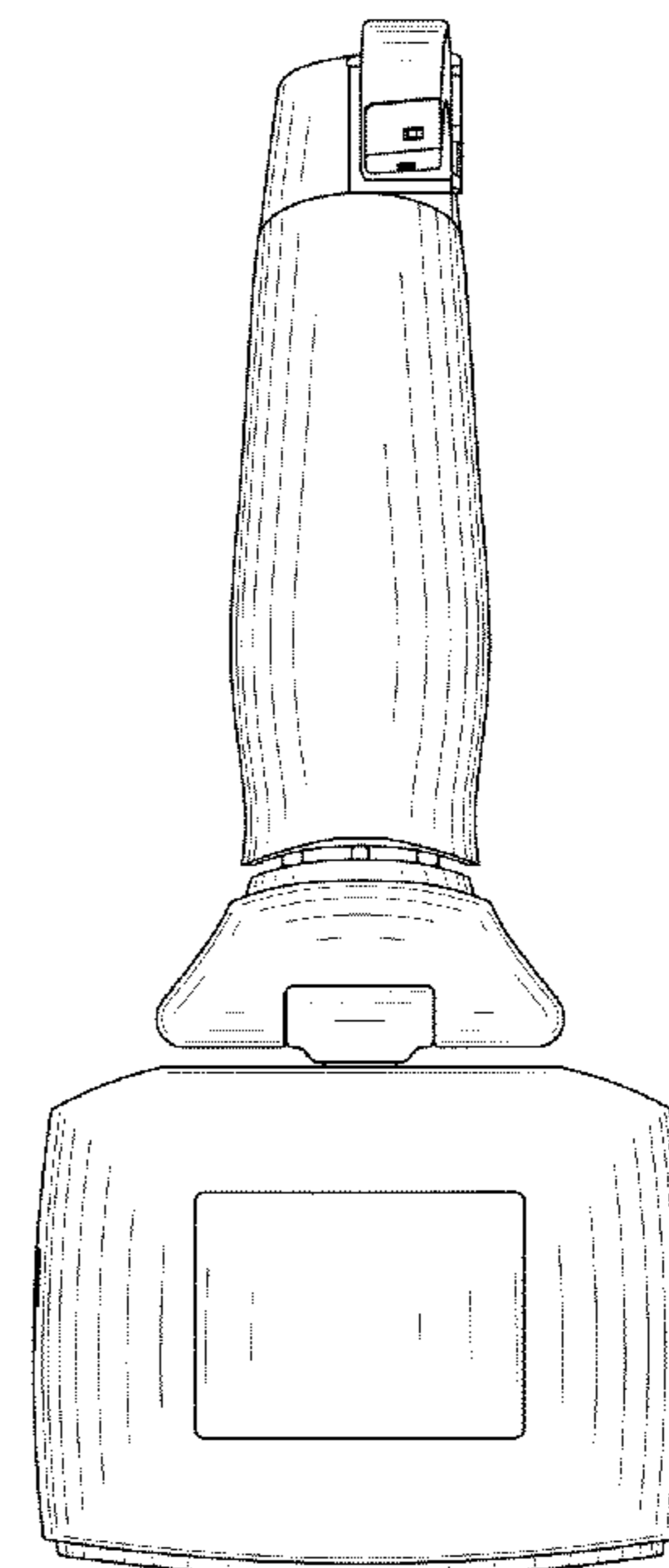
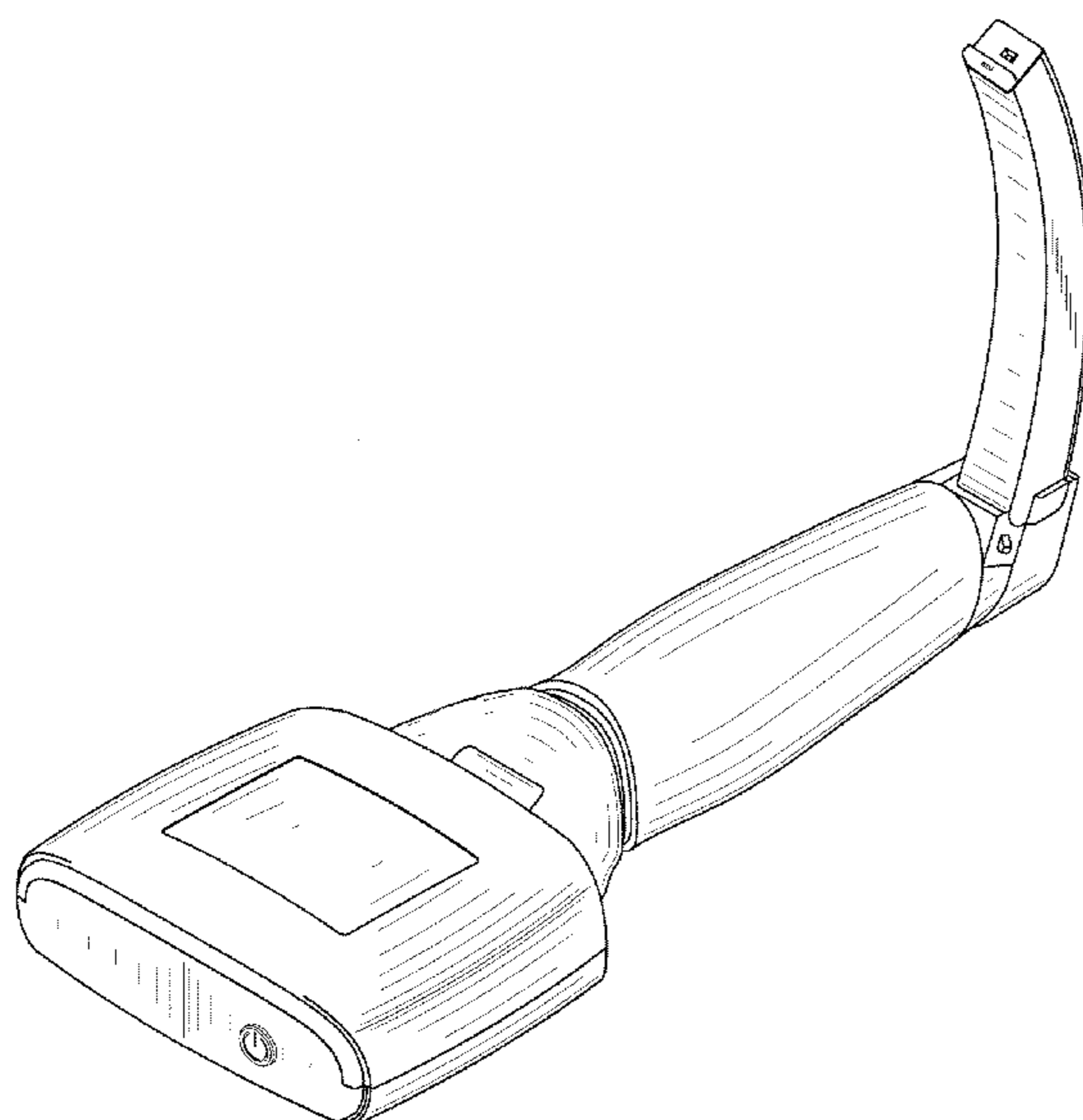
FIG. 4 is a front elevational view thereof;

FIG. 5 is a rear elevational view thereof;

FIG. 6 is a left side view thereof; and,

FIG. 7 is a right side view thereof.

1 Claim, 4 Drawing Sheets



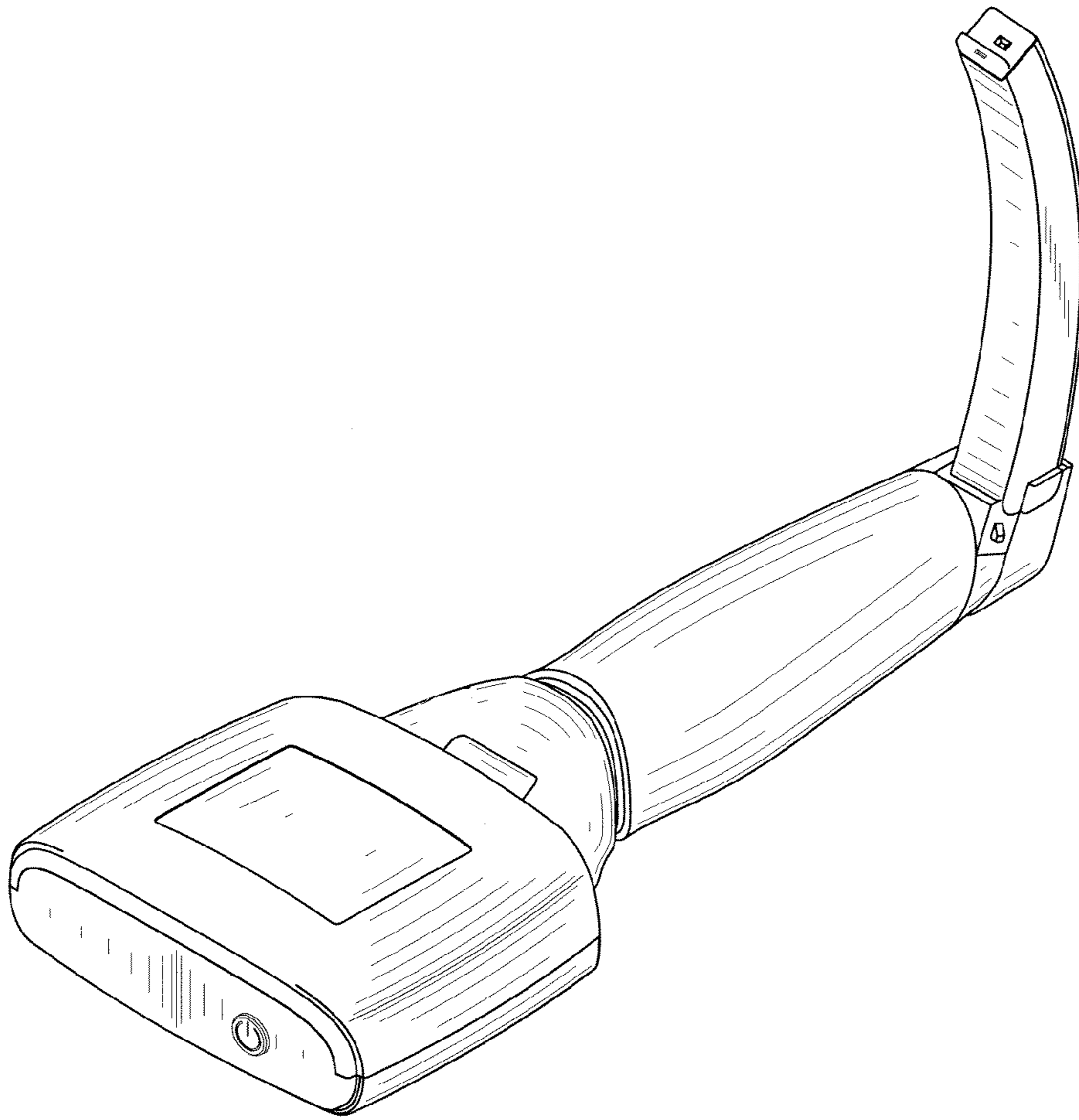


FIG. 1

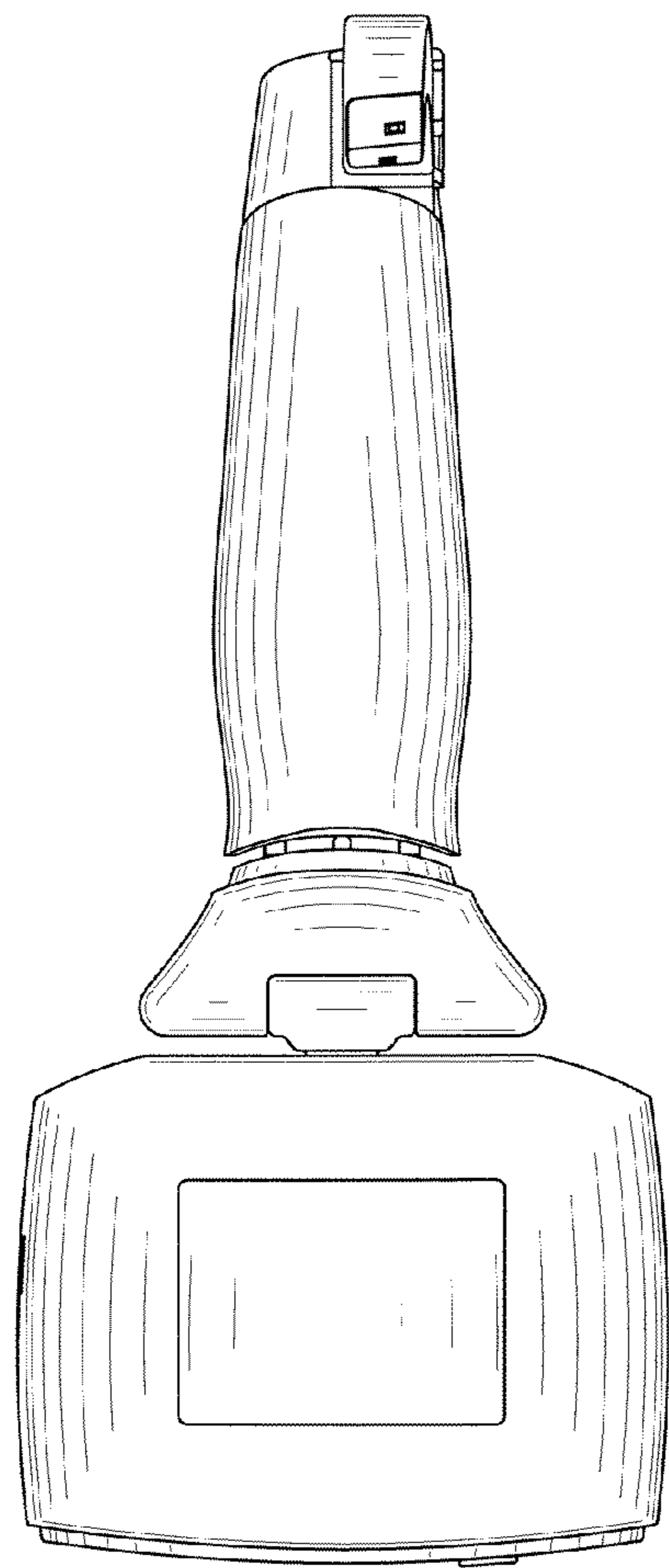


FIG. 2

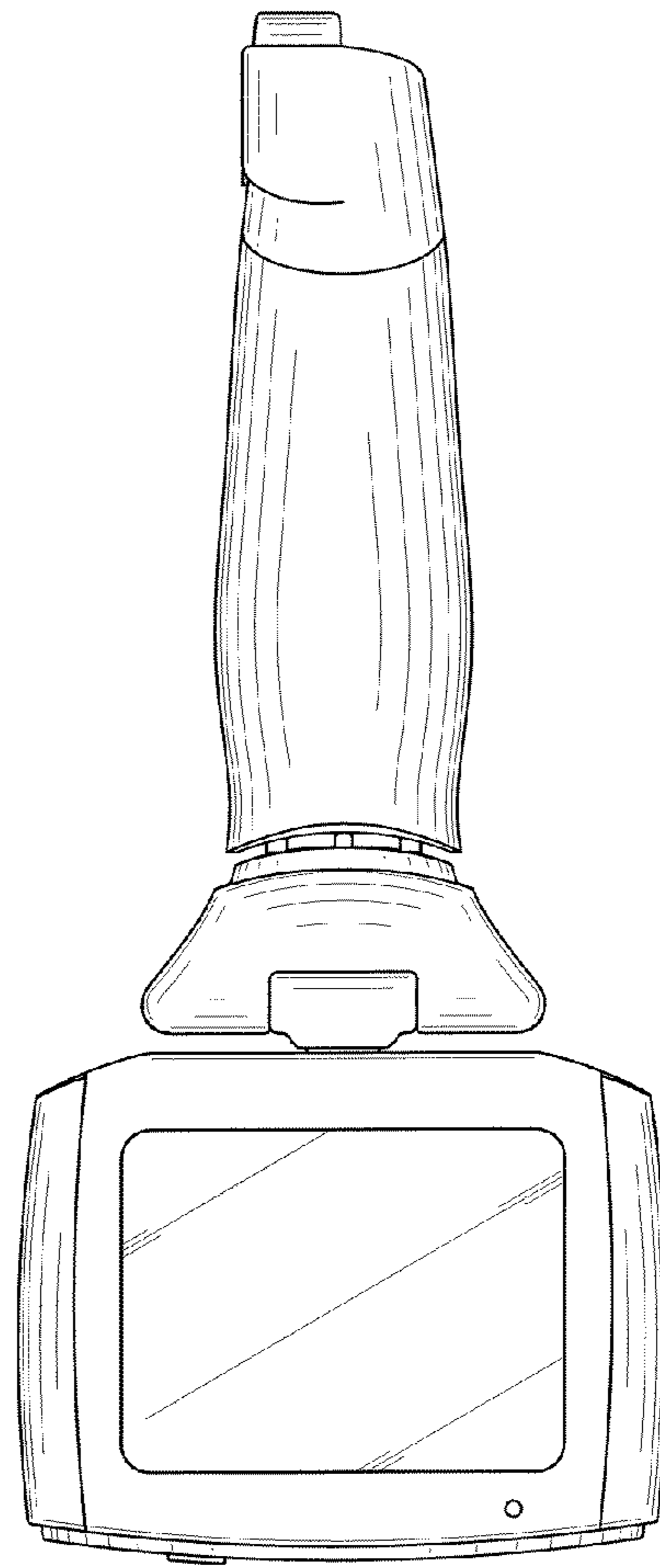


FIG. 3

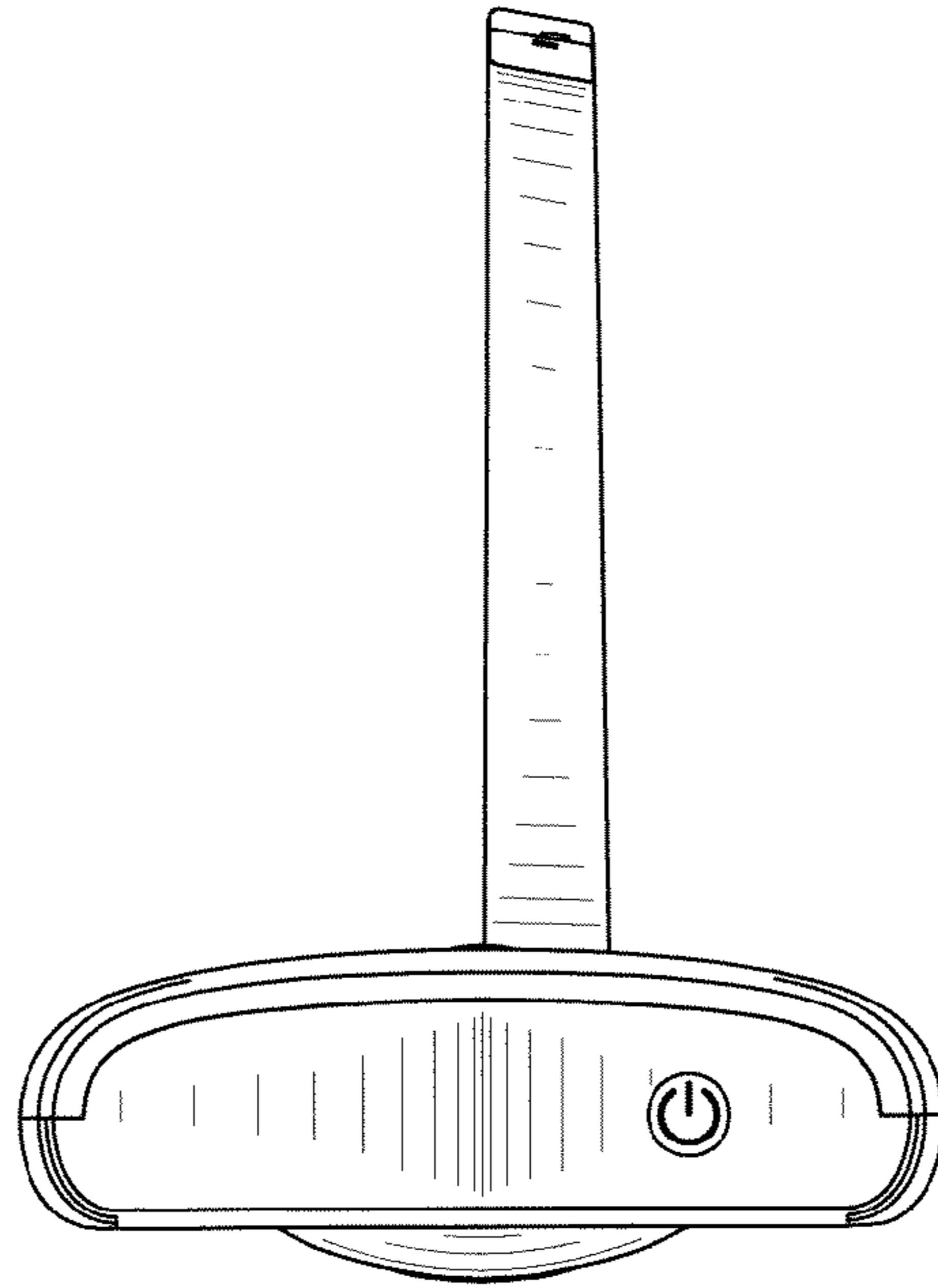


FIG. 4

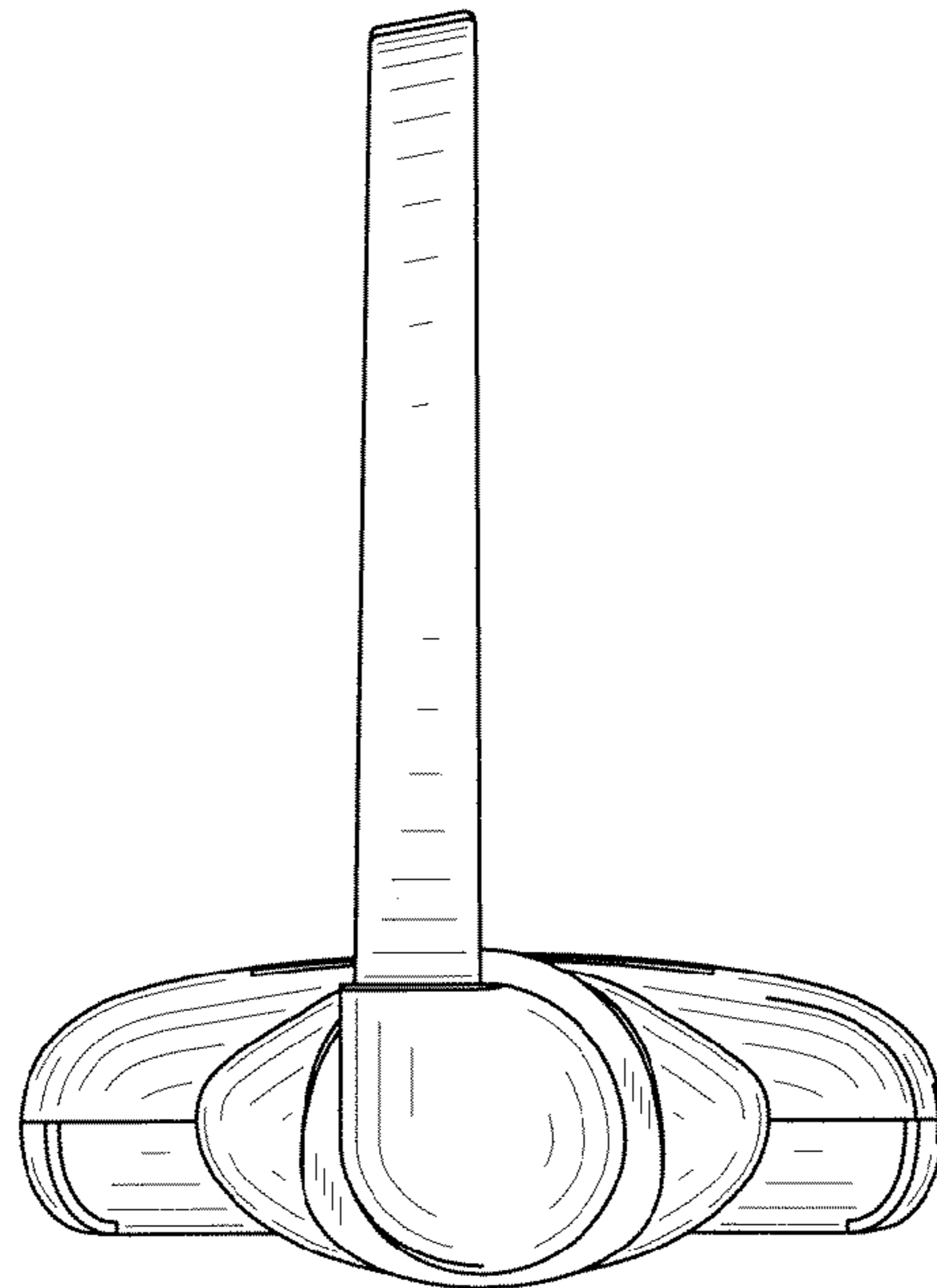


FIG. 5

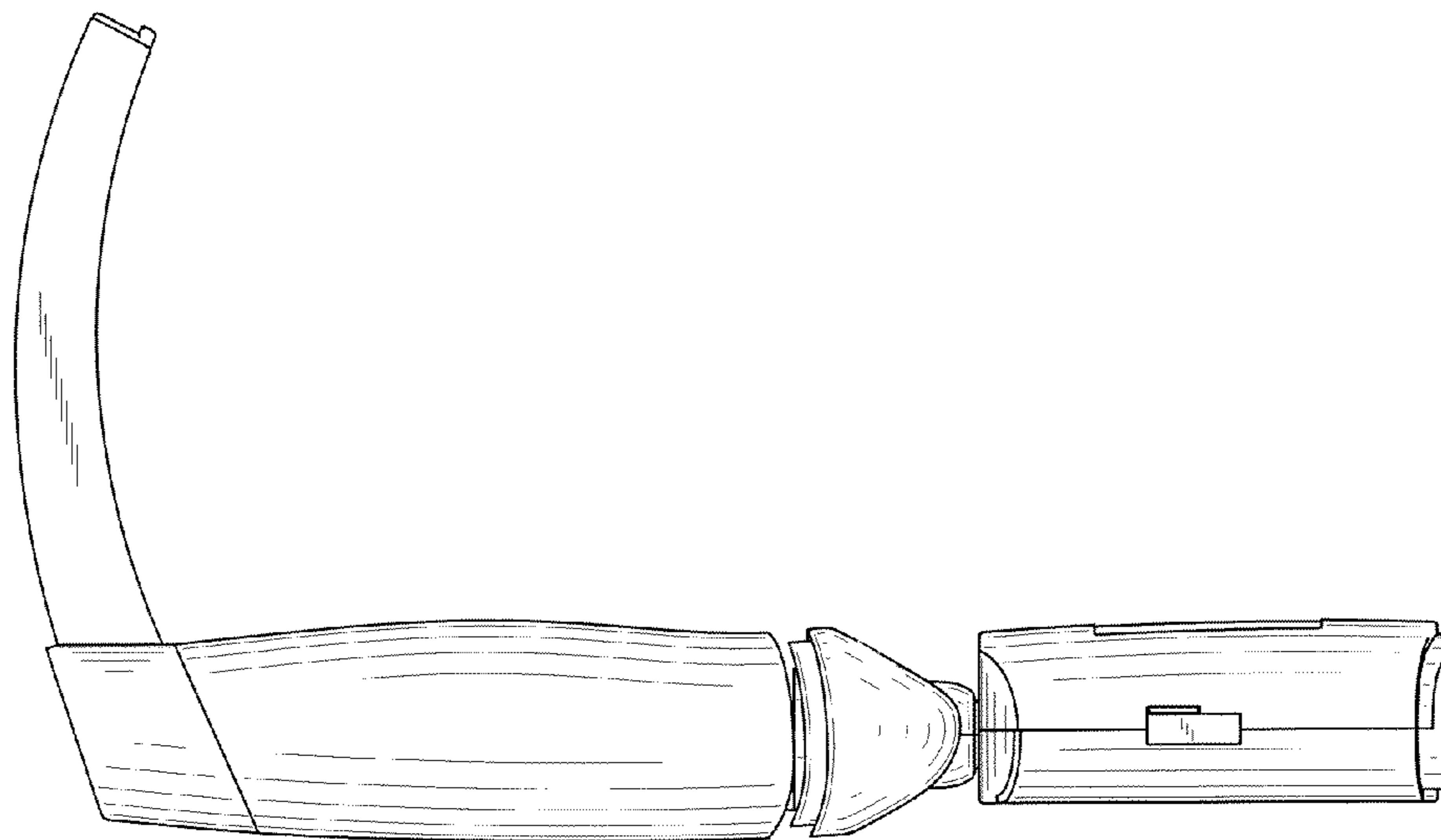


FIG. 6

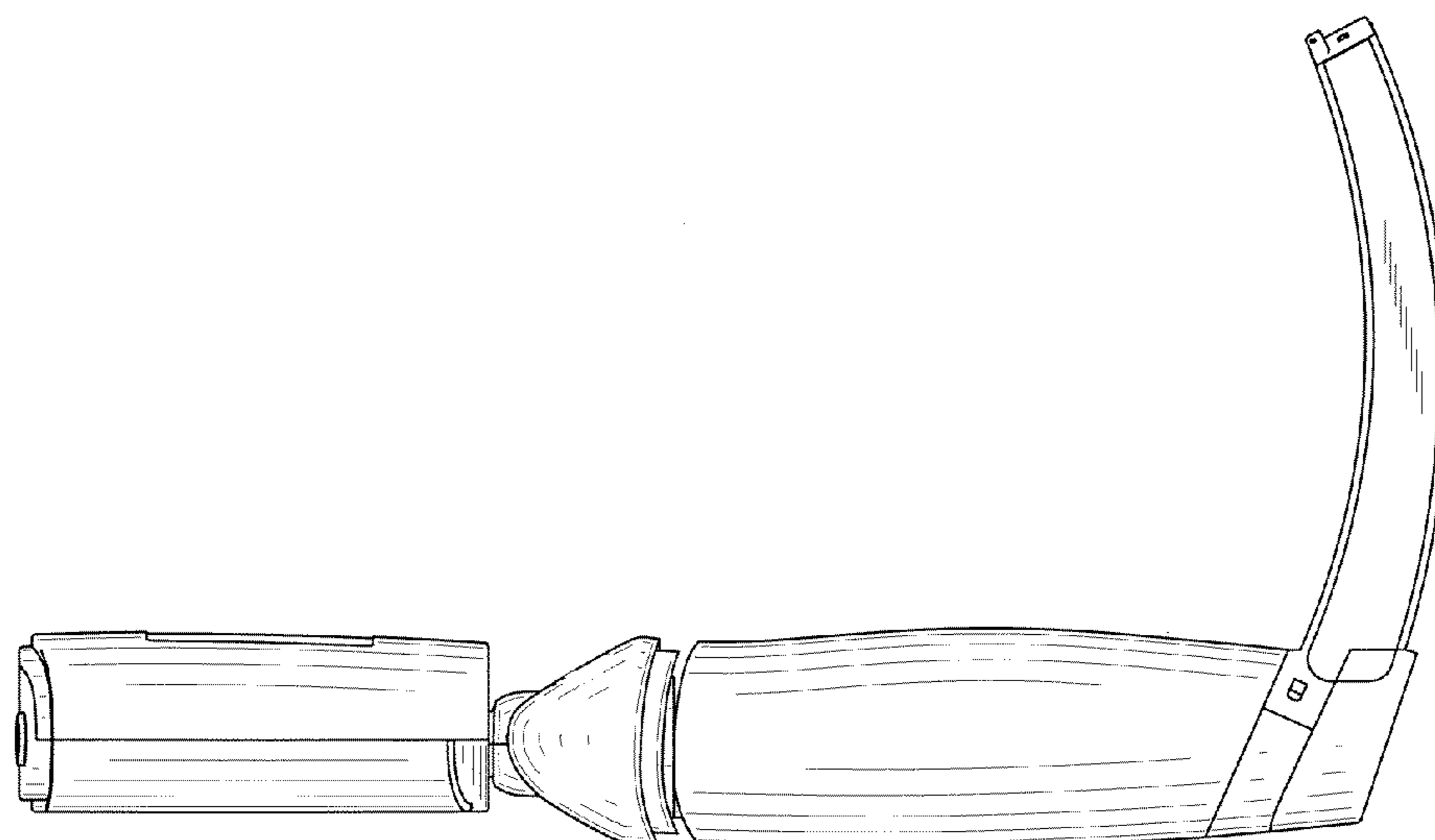


FIG. 7