



US00D708325S

(12) **United States Design Patent**
Storrs

(10) **Patent No.:** **US D708,325 S**
(45) **Date of Patent:** **** Jul. 1, 2014**

- (54) **PAIN MANAGEMENT DEVICE**
- (71) Applicant: **Rebecca Y. Storrs**, Sandy, UT (US)
- (72) Inventor: **Rebecca Y. Storrs**, Sandy, UT (US)
- (**) Term: **14 Years**
- (21) Appl. No.: **29/438,480**
- (22) Filed: **Nov. 30, 2012**
- (51) **LOC (10) Cl.** **24-02**
- (52) **U.S. Cl.**
USPC **D24/133**
- (58) **Field of Classification Search**
USPC D24/133, 134, 135, 136, 137, 138, 139,
D24/140, 142, 143, 144, 145, 146, 147, 148,
D24/149; D11/40; 604/112; 606/1
See application file for complete search history.

(56) **References Cited**

U.S. PATENT DOCUMENTS

245,297	A	*	8/1881	Heckmann	63/12
4,003,217	A	*	1/1977	Evans et al.	63/12
D319,035	S	*	8/1991	Kruse	D11/202
D322,677	S	*	12/1991	Clark	D24/207
5,184,481	A	*	2/1993	Joseph et al.	63/12
D339,310	S	*	9/1993	Azrielant	D11/40
D369,663	S	*	5/1996	Gostine	D24/183

D447,811	S	*	9/2001	Yiu	D24/215
D472,497	S	*	4/2003	Bonnet	D11/40
D481,646	S	*	11/2003	Bonifacio	D11/40
7,121,118	B2	*	10/2006	David	63/13
D612,947	S	*	3/2010	Turtzo et al.	D24/206
D656,308	S	*	3/2012	Sham	D3/203.1

* cited by examiner

Primary Examiner — Bridget L Eland

(74) *Attorney, Agent, or Firm* — Workman Nydegger

(57) **CLAIM**

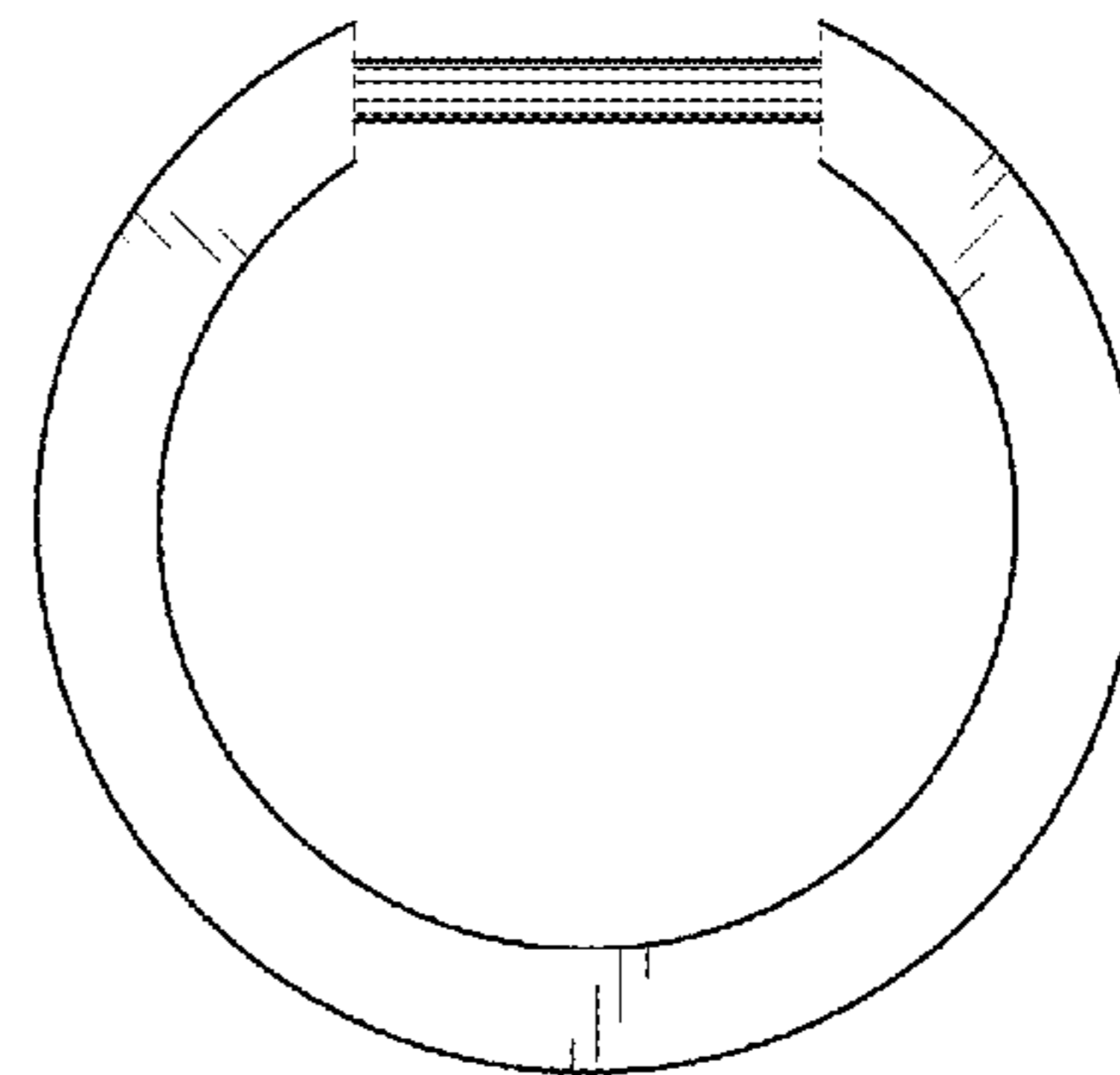
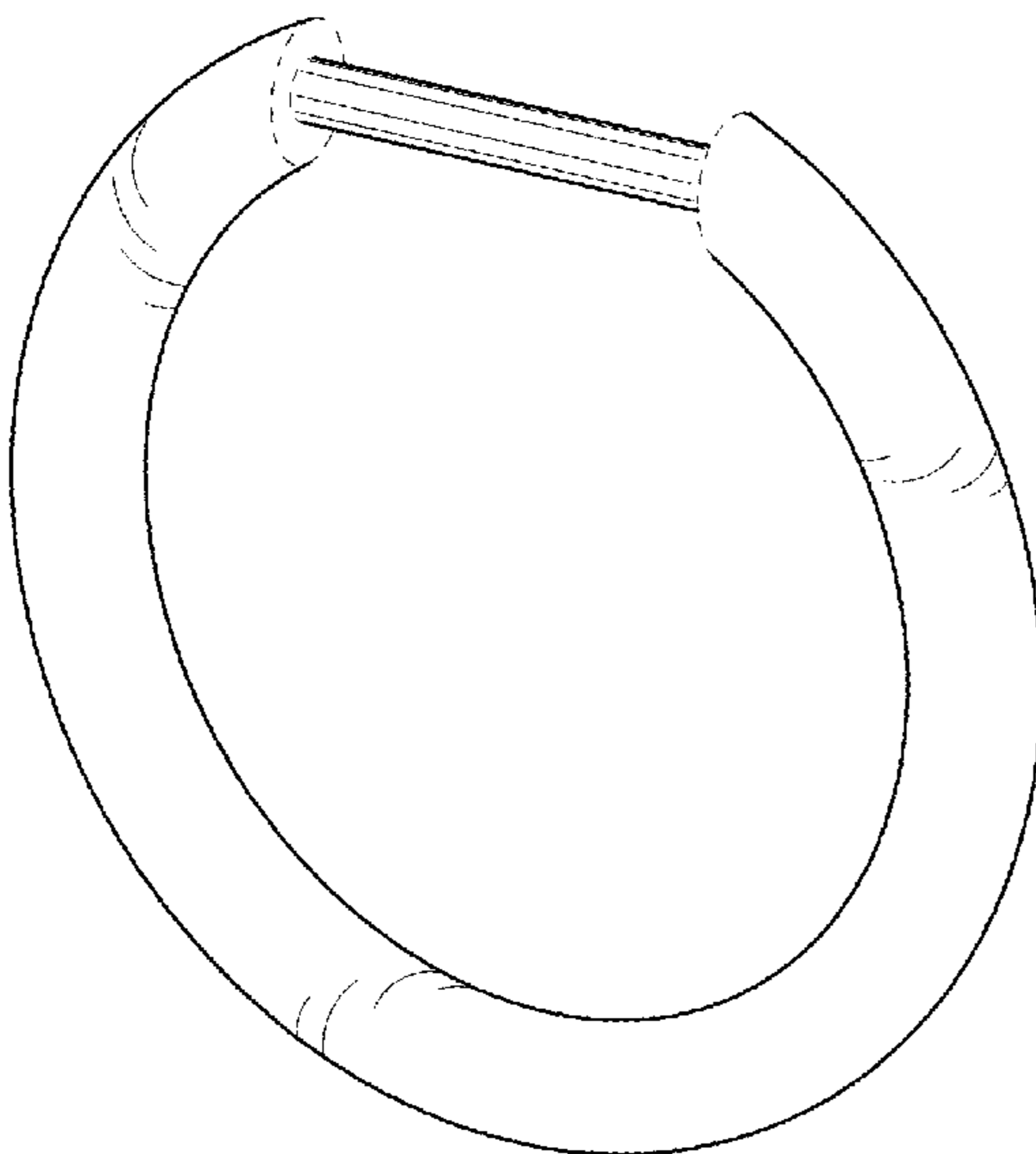
The ornamental design for a pain management device, as shown and described.

DESCRIPTION

FIG. 1 is a perspective view of a pain management device showing the new design;
 FIG. 2 is a front elevational view thereof;
 FIG. 3 is a rear elevational view thereof;
 FIG. 4 is a right side elevational view thereof;
 FIG. 5 is a left side elevational view thereof;
 FIG. 6 is a top plan view thereof; and,
 FIG. 7 is a bottom plan view thereof.

The broken lines immediately adjacent the shaded areas represent the bounds of the claimed design; the broken lines form no part of the claimed design.

1 Claim, 2 Drawing Sheets



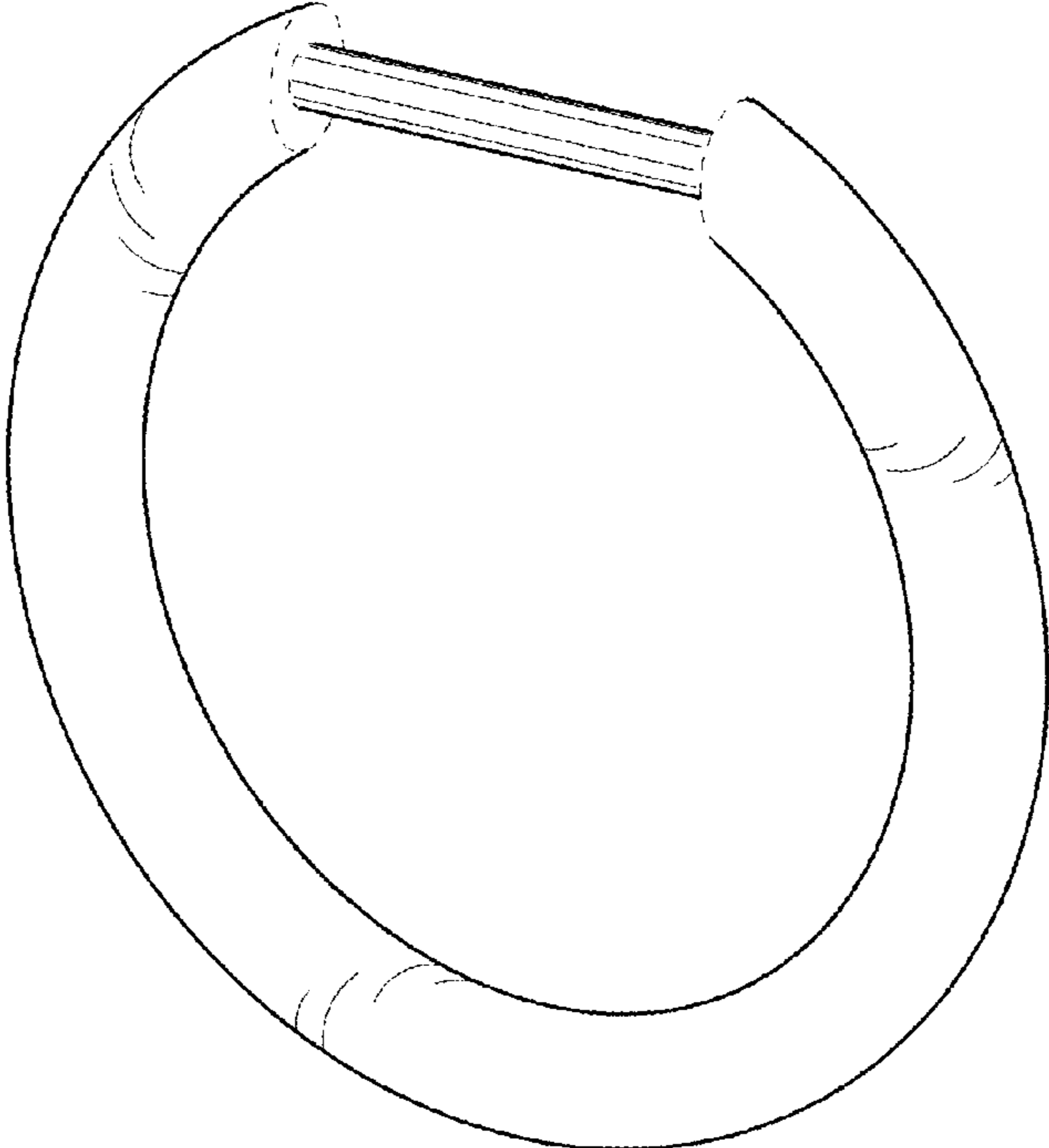


FIG. 1

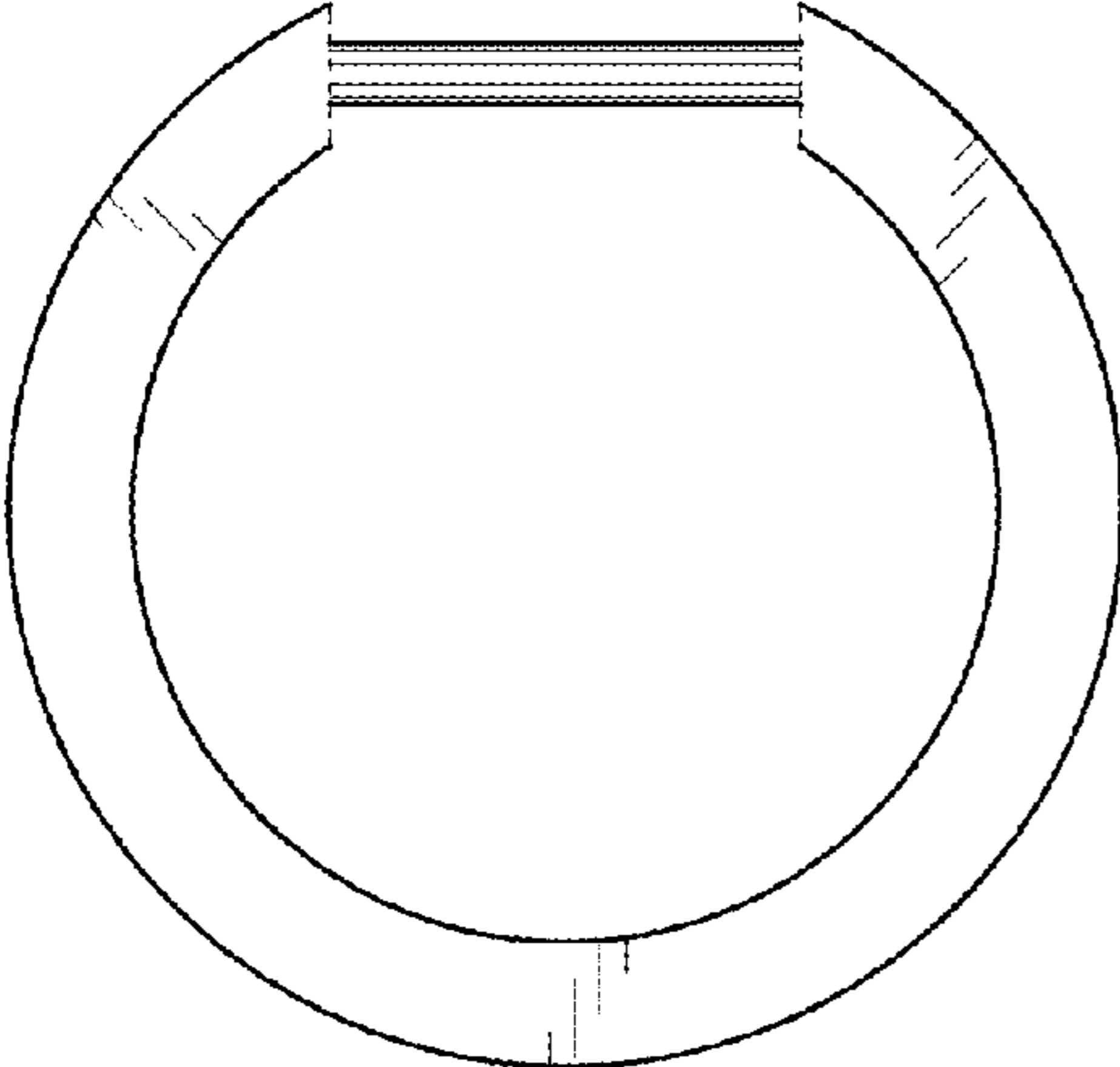


FIG. 2

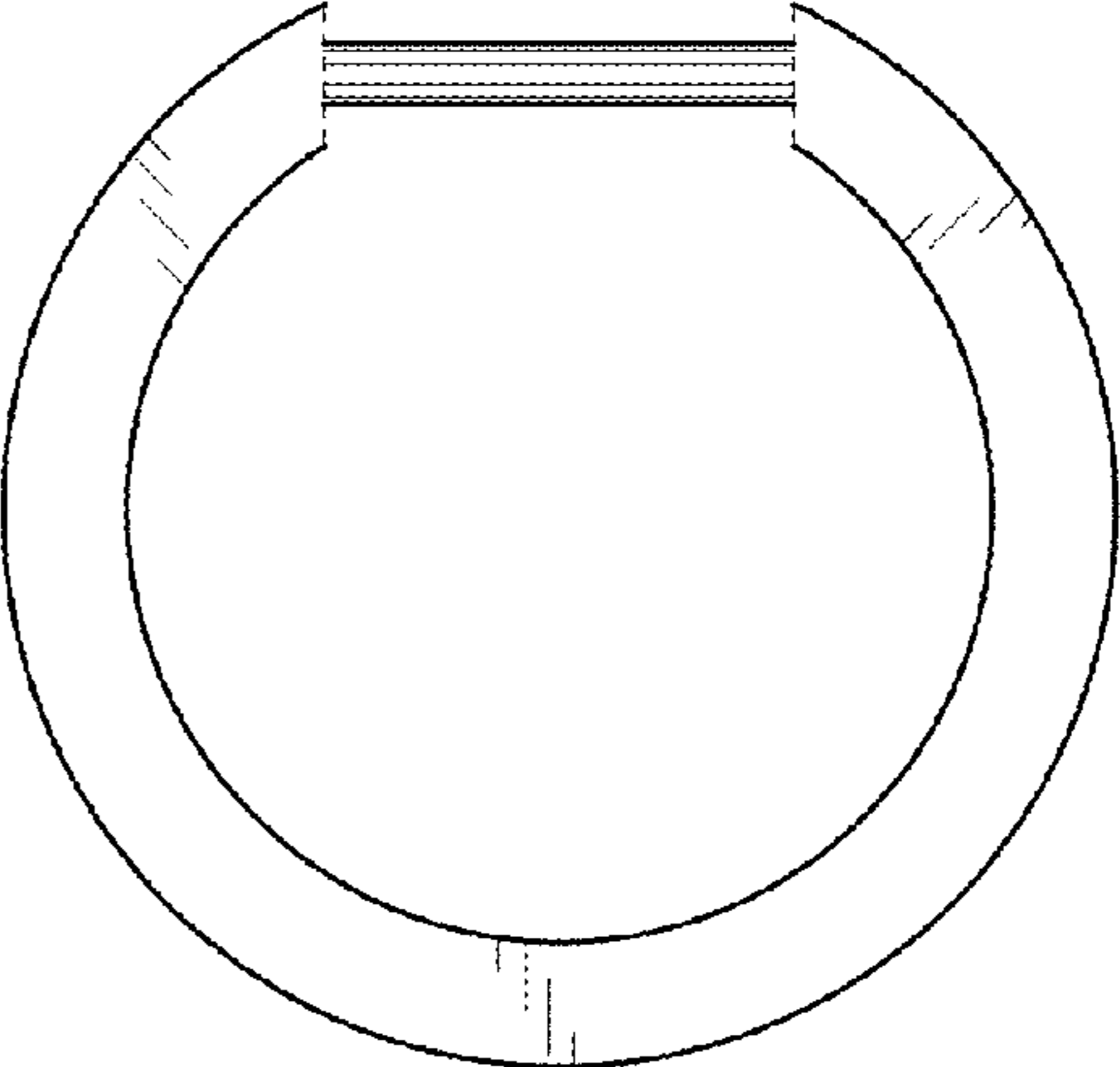


FIG. 3

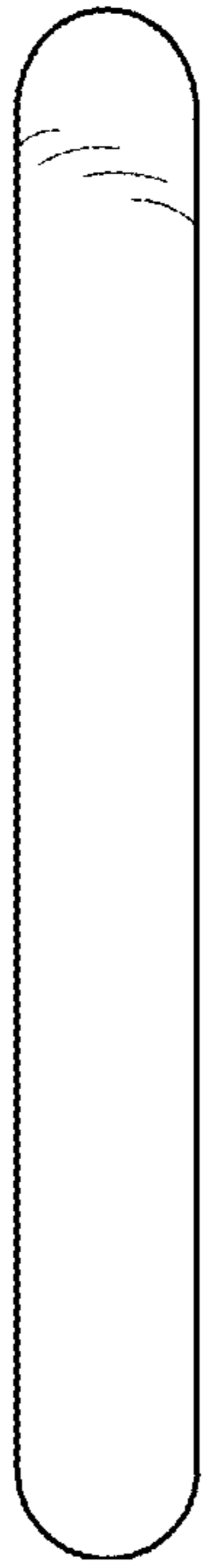


FIG. 4

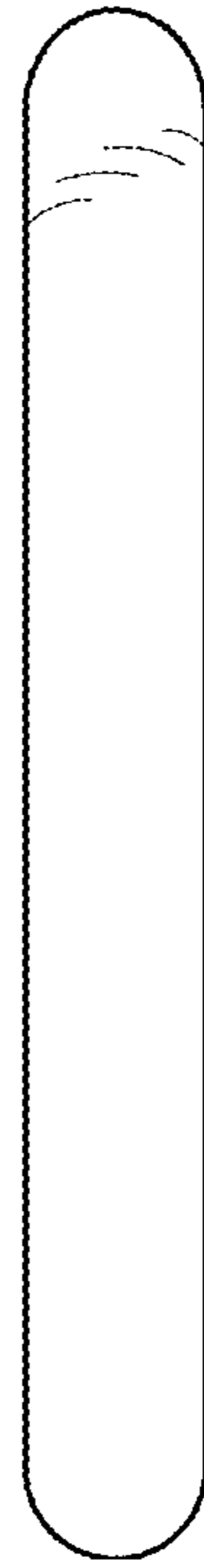


FIG. 5



FIG. 6



FIG. 7