



US00D708324S

(12) **United States Design Patent**  
**Schwarz et al.**

(10) **Patent No.:** **US D708,324 S**  
(45) **Date of Patent:** **\*\* Jul. 1, 2014**

(54) **TUNNELING TOOL**

(71) Applicant: **Endo Pharmaceuticals Solutions Inc.**,  
Chadds Ford, PA (US)

(72) Inventors: **Alexander Schwarz**, Brookline, MA  
(US); **Richard Caizza**, Vernon, NJ (US)

(73) Assignee: **Endo Pharmaceuticals Solutions, Inc.**,  
Chadds Ford, PA (US)

(\*\*) Term: **14 Years**

(21) Appl. No.: **29/435,450**

(22) Filed: **Oct. 24, 2012**

(51) **LOC (10) Cl.** ..... **24-02**

(52) **U.S. Cl.**  
USPC ..... **D24/133**

(58) **Field of Classification Search**  
USPC ..... D24/133, 137, 138, 143, 144, 145, 146,  
D24/147, 148, 149; 606/1, 80, 85, 130, 139,  
606/148, 167, 169, 170, 171, 174, 175, 176,  
606/180, 205, 206; 604/22, 27; 600/104,  
600/153, 154, 564

See application file for complete search history.

(56) **References Cited**

**U.S. PATENT DOCUMENTS**

D377,524 S *	1/1997	Lipp	.....	D24/144
D460,554 S *	7/2002	Park	.....	D24/147
D461,246 S *	8/2002	Park	.....	D24/147
D492,776 S *	7/2004	Nilsson	.....	D24/133
D492,995 S *	7/2004	Rue et al.	.....	D24/133
D549,825 S *	8/2007	O'Neill	.....	D24/147

D627,882 S *	11/2010	Slowey et al.	.....	D24/133
7,850,639 B2 *	12/2010	Rue et al.	.....	604/19
D697,208 S *	1/2014	Ehrlich	.....	D24/155
2013/0108680 A1 *	5/2013	Schwarz	.....	424/424
2013/0115264 A1 *	5/2013	Schwarz et al.	.....	424/423
2013/0144250 A1 *	6/2013	Schwarz et al.	.....	604/500
2013/0259934 A1 *	10/2013	Schwarz	.....	424/464

**OTHER PUBLICATIONS**

“Highlights of Supprelin Prescription Information”, Endo Pharmaceuticals (2012) PK000033 Rev. 07, 20 pgs.

“Highlights of Vantas Prescription Information”, Endo Pharmaceuticals (2012) PK000003 Rev. May 10, 2012, 22 pgs.

\* cited by examiner

*Primary Examiner* — Bridget L Eland

(74) *Attorney, Agent, or Firm* — RatnerPrestia

(57) **CLAIM**

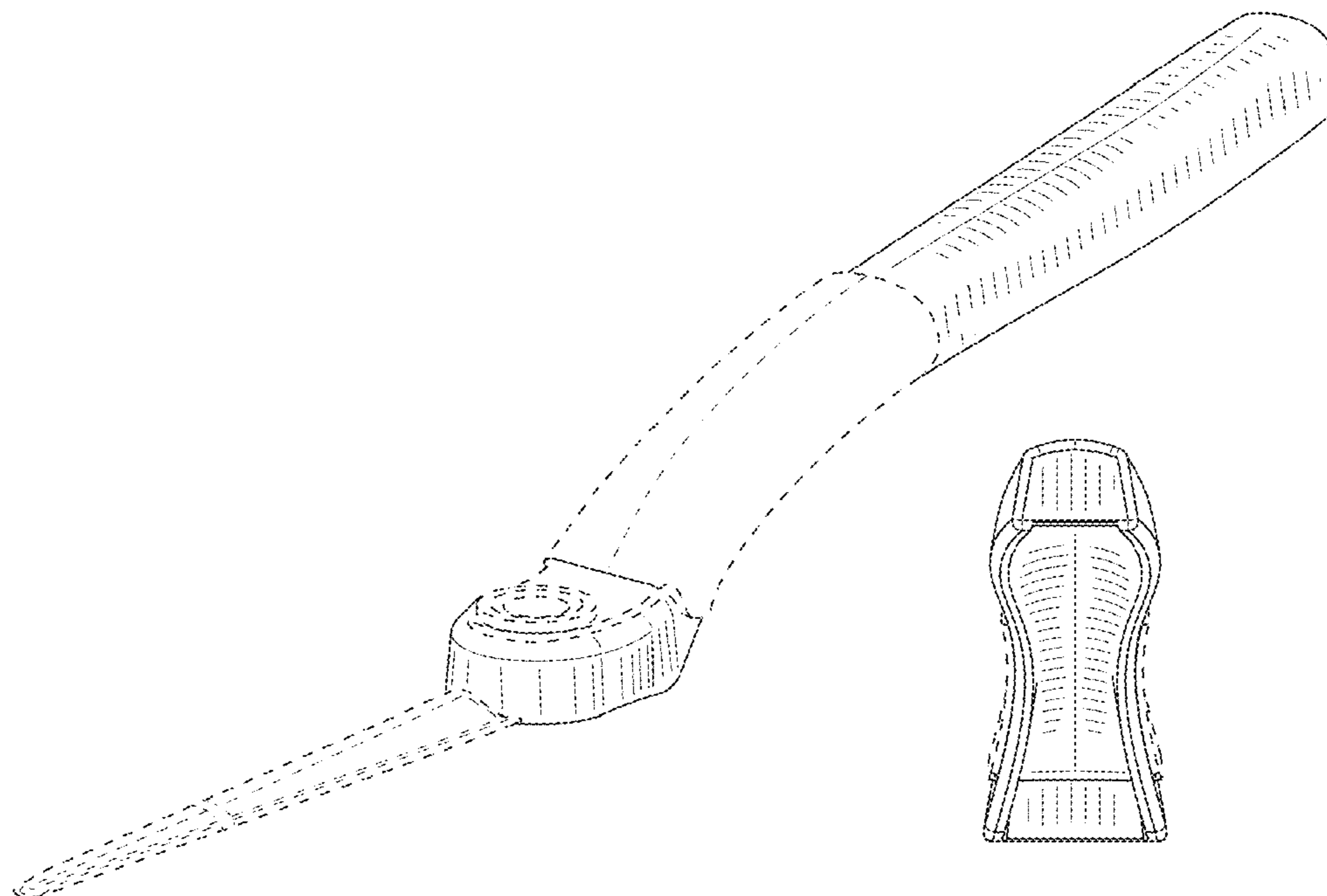
The ornamental design for a tunneling tool, as shown and described.

**DESCRIPTION**

FIG. 1 is a perspective view of our tunneling tool in accordance with our new design;  
FIG. 2 is a front view thereof;  
FIG. 3 is a rear view thereof;  
FIG. 4 is a right side view thereof;  
FIG. 5 is a left side view thereof;  
FIG. 6 is a top view thereof; and,  
FIG. 7 is a bottom view thereof.

The broken lines in the figures are included for the purpose of illustrating portions of the tunneling tool that form no part of the claimed design.

**1 Claim, 3 Drawing Sheets**



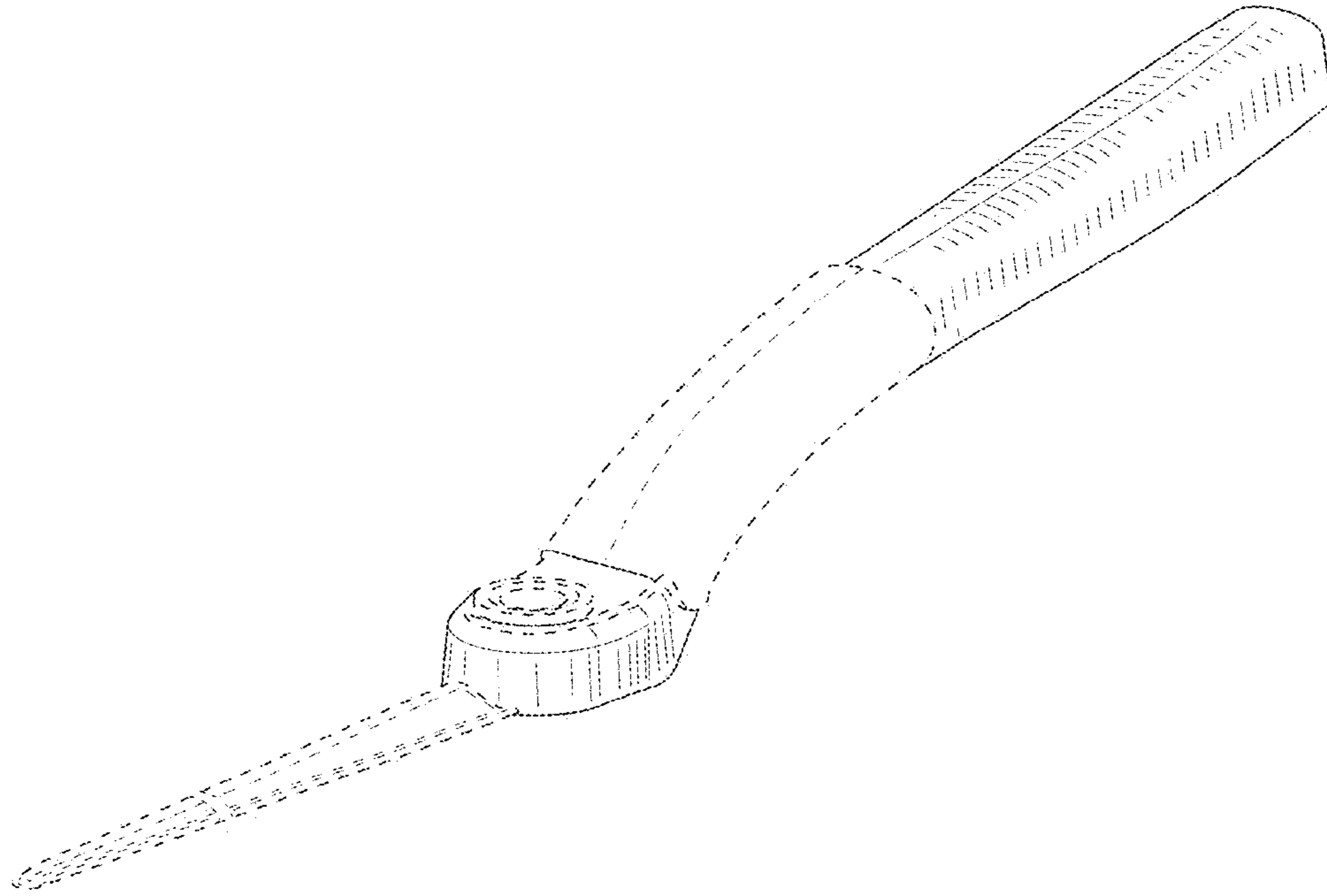


FIG. 1

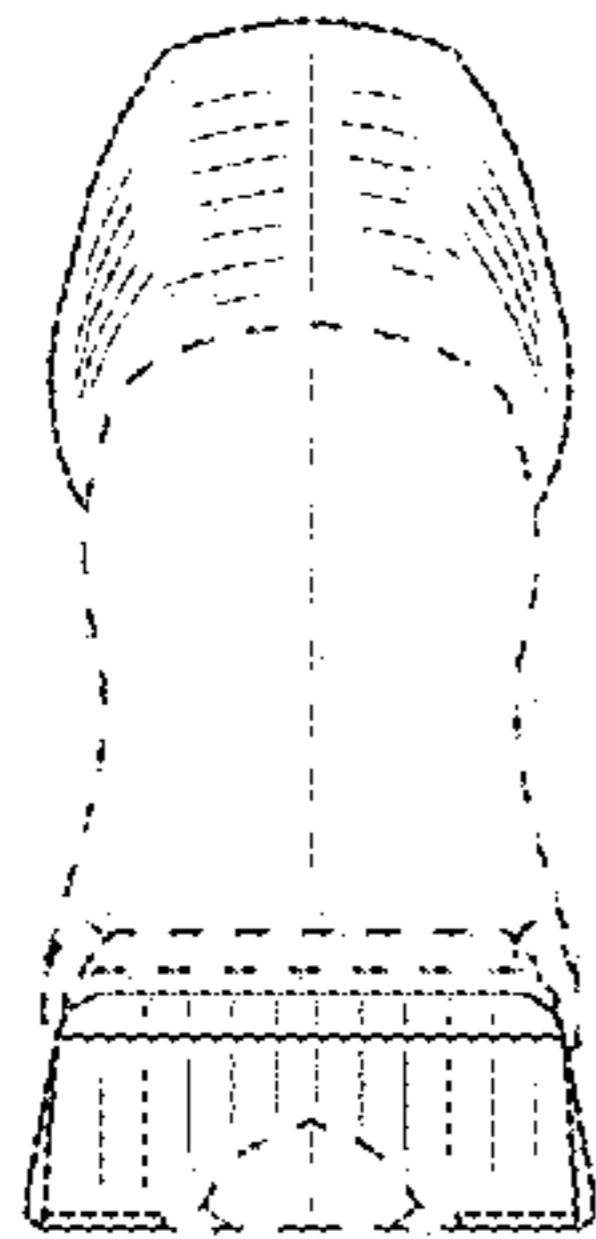


FIG. 2

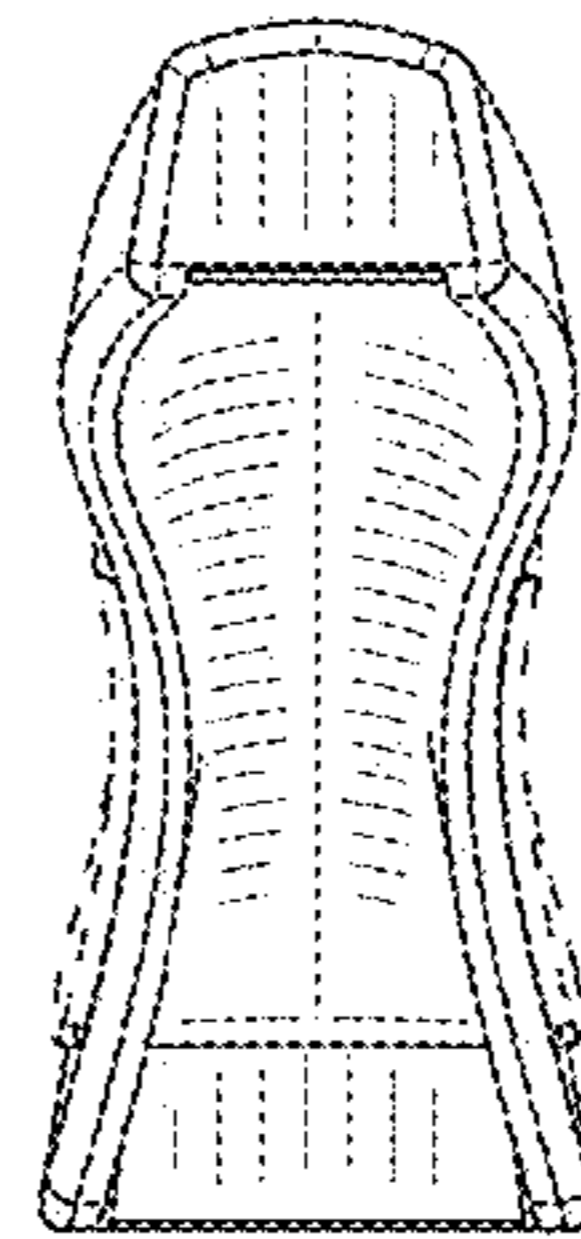


FIG. 3

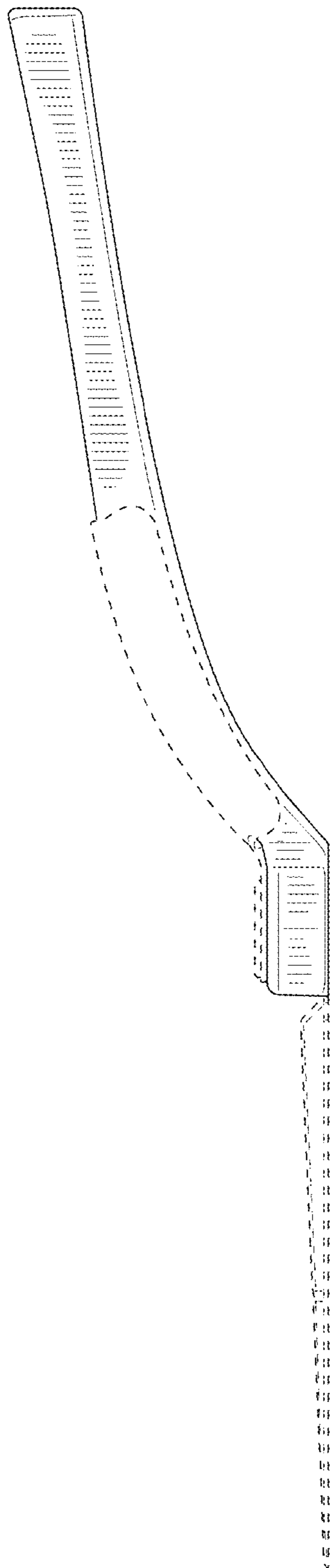


FIG. 4

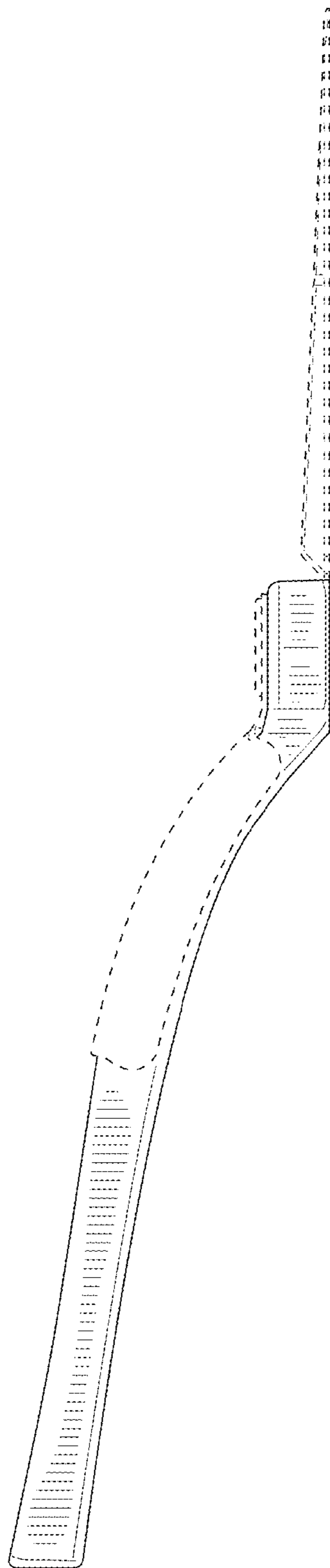


FIG. 5

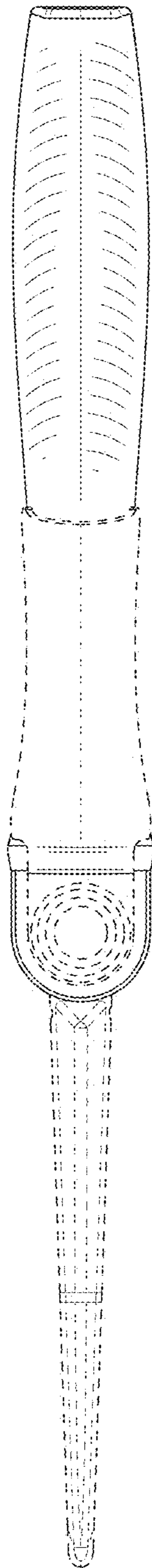


FIG. 6

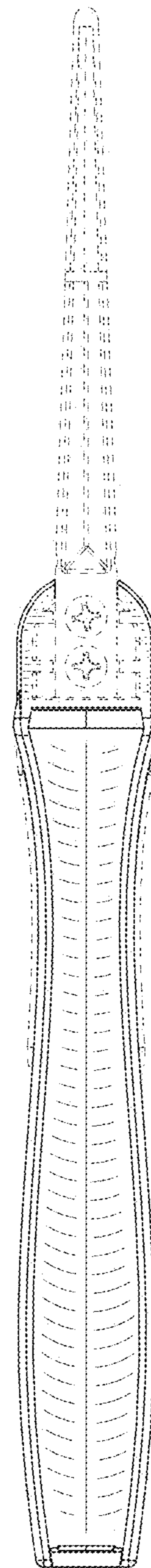


FIG. 7