



US00D708323S

(12) **United States Design Patent**
Reyes et al.

(10) **Patent No.:** **US D708,323 S**
(45) **Date of Patent:** **** Jul. 1, 2014**

- (54) **SURGICAL IMPLANT INSERTER**
- (71) Applicant: **NuTech Spine, Inc.**, Birmingham, AL (US)
- (72) Inventors: **Najeeb Reyes**, Fort Lauderdale, FL (US); **Howard P. Walthall, Jr.**, Birmingham, AL (US)
- (73) Assignee: **NuTech Spine, Inc.**, Birmingham, AL (US)
- (**) Term: **14 Years**
- (21) Appl. No.: **29/434,228**
- (22) Filed: **Oct. 11, 2012**
- (51) **LOC (10) Cl.** **24-02**
- (52) **U.S. Cl.**
USPC **D24/133**
- (58) **Field of Classification Search**
USPC D24/133, 145, 146, 147; 606/246, 264, 606/279, 86 A, 86 R; 623/17.11
See application file for complete search history.

- D600,806 S * 9/2009 Horton et al. D24/133
- D601,251 S * 9/2009 Horton et al. D24/133
- D608,001 S * 1/2010 Reardon et al. D24/133
- D635,668 S * 4/2011 Bartlett et al. D24/138
- D656,610 S * 3/2012 Kleiner D24/133
- 2005/0021037 A1* 1/2005 McCombs et al. 606/79
- 2007/0050031 A1* 3/2007 Khosrowshahi 623/17.11
- 2008/0249481 A1* 10/2008 Crainich et al. 604/264

* cited by examiner

Primary Examiner — Bridget L Eland

(74) *Attorney, Agent, or Firm* — C. Brandon Browning; Maynard, Cooper & Gale, PC

(57) **CLAIM**

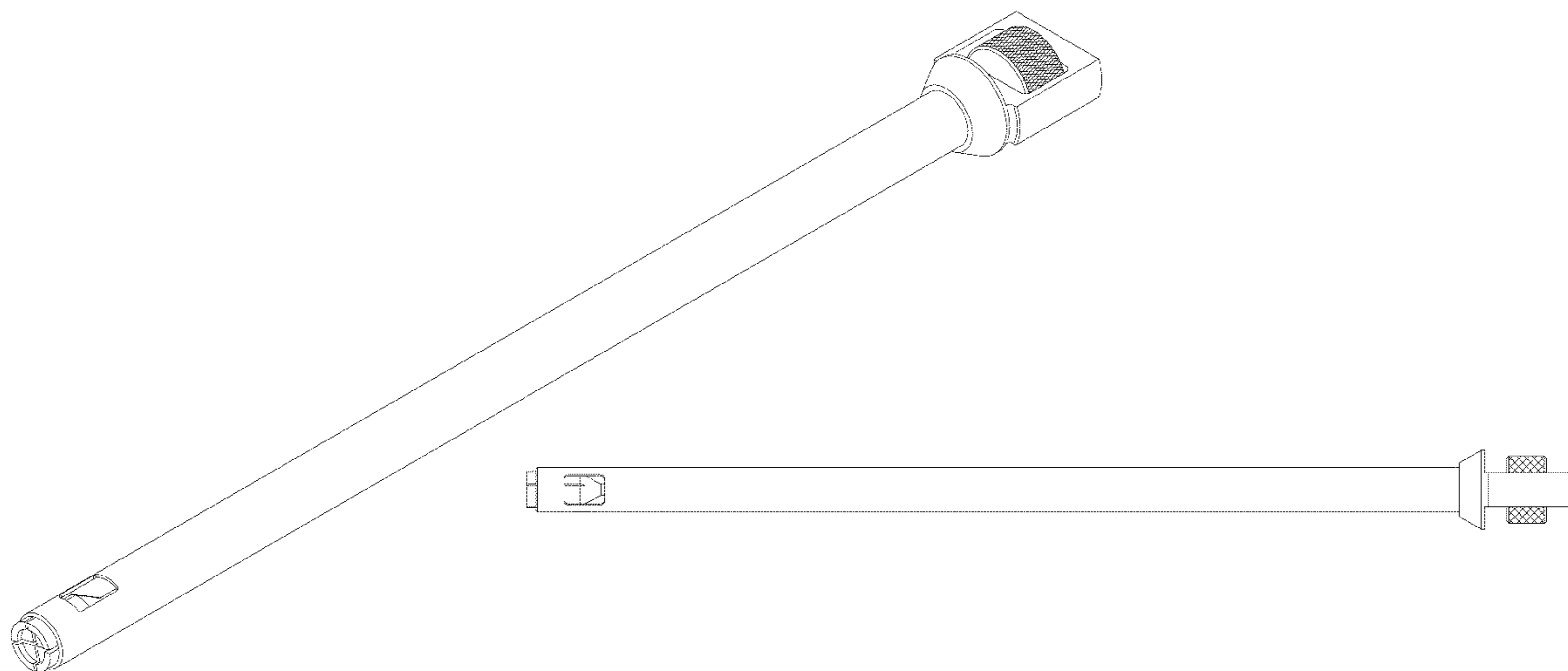
The ornamental design for a surgical implant inserter, as shown and described.

DESCRIPTION

FIG. 1 is a proximal end perspective view of a surgical implant inserter showing our new design.
 FIG. 2 is a distal end perspective view of the surgical implant inserter of FIG. 1;
 FIG. 3 is an elevational view of the surgical implant inserter of FIG. 1;
 FIG. 4 is an elevational view of the surgical implant inserter of FIG. 1;
 FIG. 5 is a plan view of the distal end of the surgical implant inserter of FIG. 1; and,
 FIG. 6 is a plan view of the proximal end of the surgical implant inserter of FIG. 1.

1 Claim, 3 Drawing Sheets

- (56) **References Cited**
U.S. PATENT DOCUMENTS
- 2,556,783 A * 6/1951 Wallace 606/127
- D280,550 S * 9/1985 Pratt et al. D24/145
- D295,317 S * 4/1988 Gazale D24/147
- D597,669 S * 8/2009 Petersen D24/133
- D599,479 S * 9/2009 Petersen D24/133



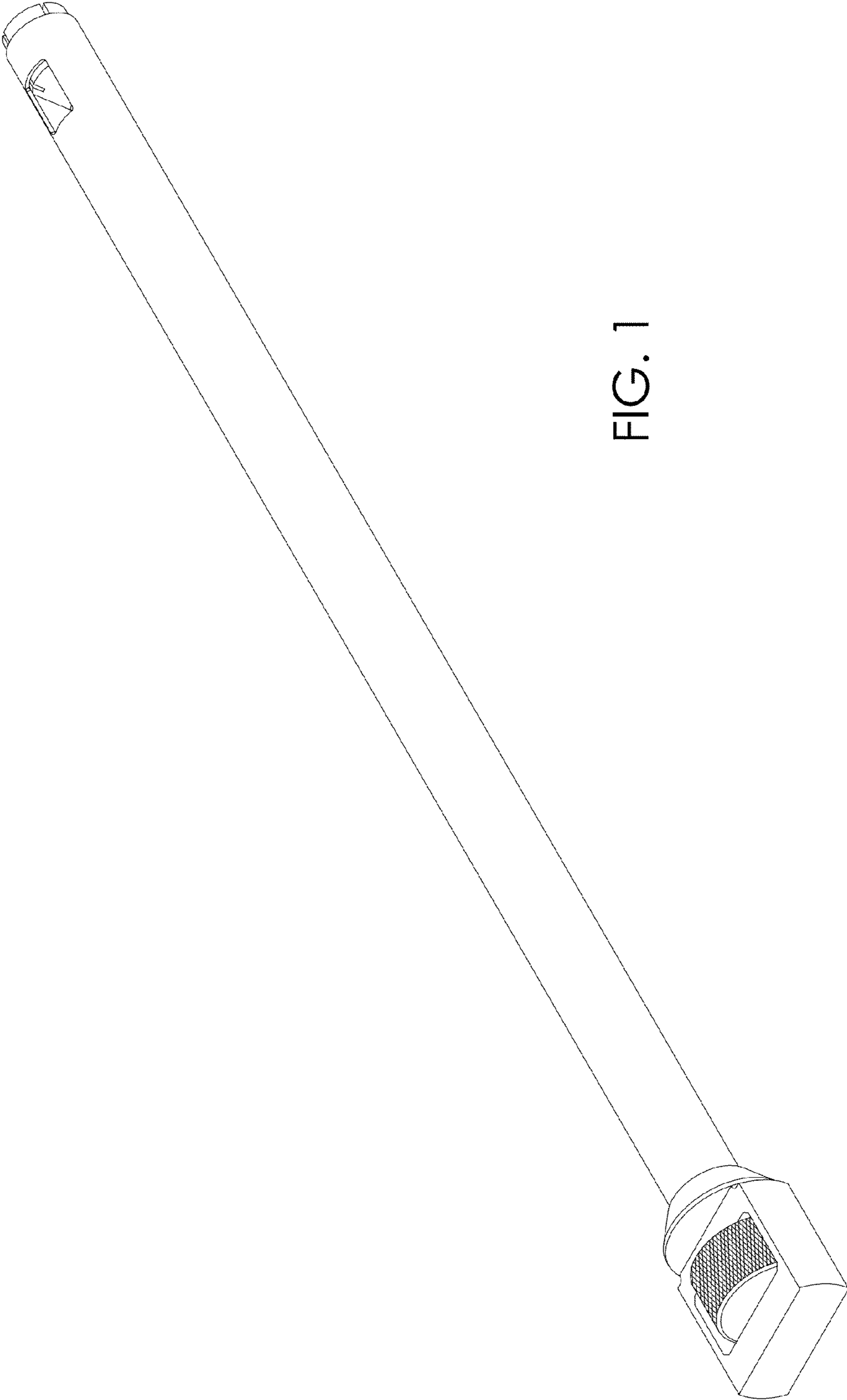


FIG. 1

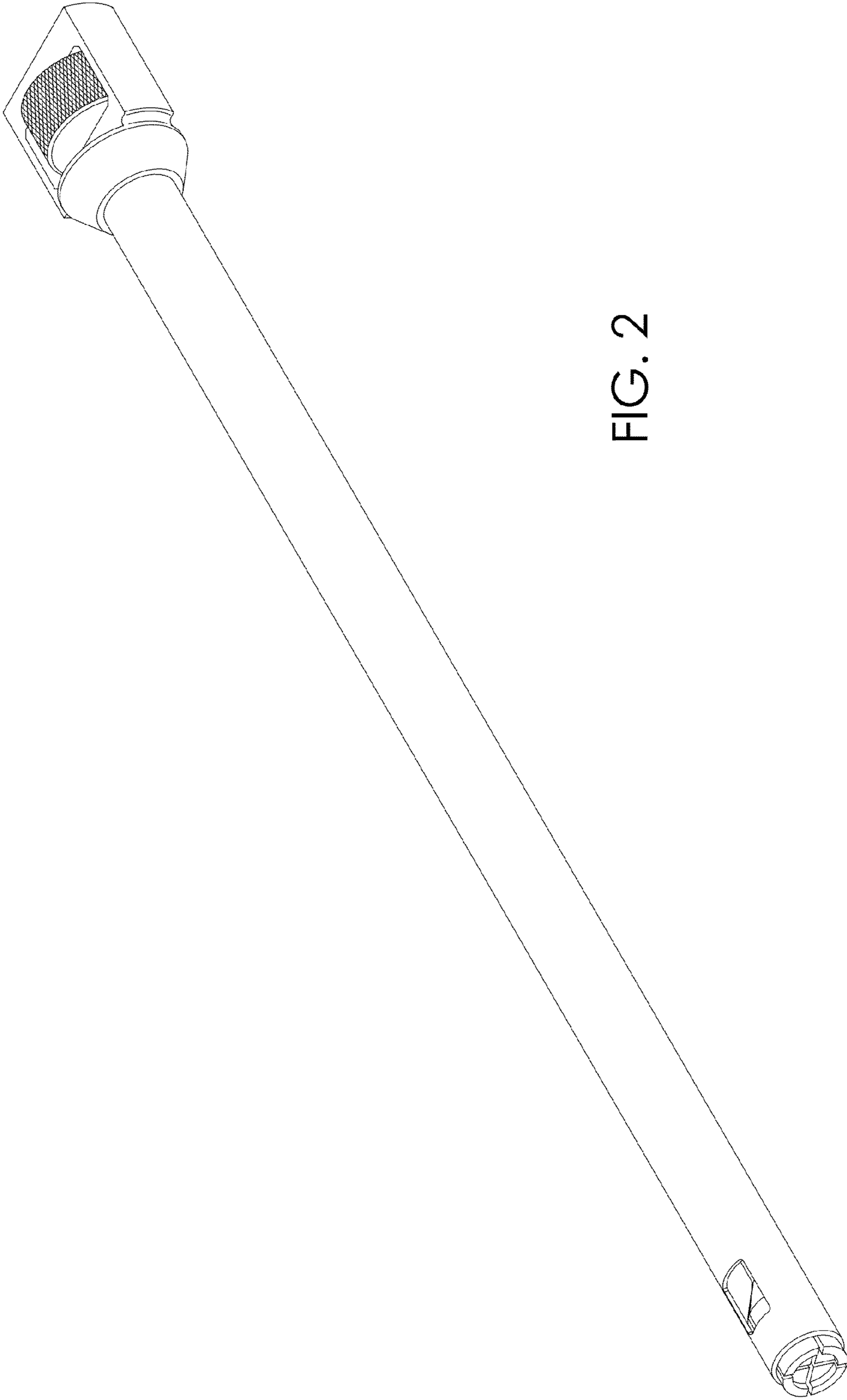


FIG. 2

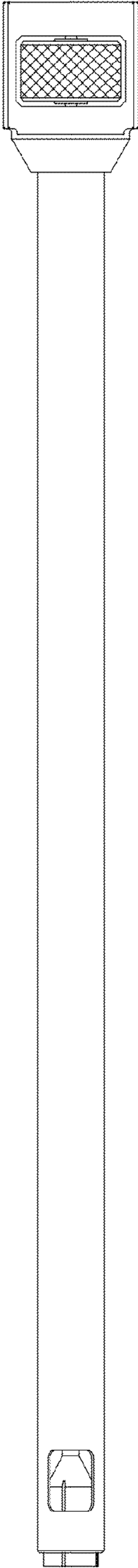


FIG. 3

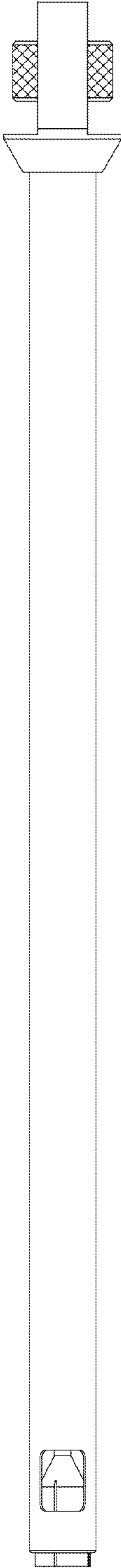


FIG. 4

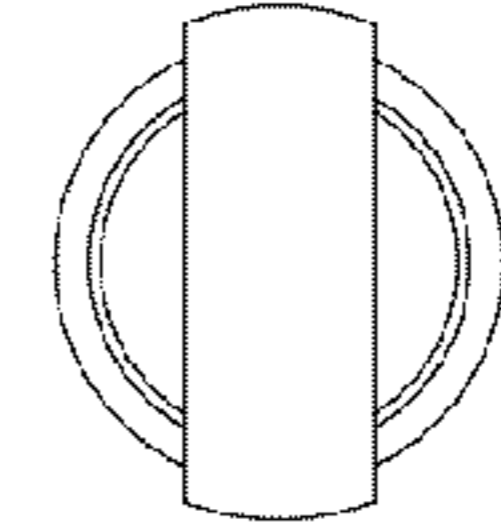


FIG. 6

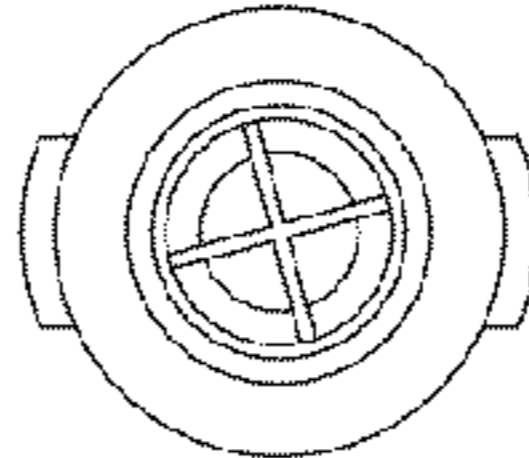


FIG. 5