



US00D708318S

(12) **United States Design Patent**  
**Hsu et al.**

(10) **Patent No.:** **US D708,318 S**  
(45) **Date of Patent:** **\*\* Jul. 1, 2014**

- (54) **DOSING SPOON**
- (75) Inventors: **Paul Hsu**, Lewis Center, OH (US); **Jay F. Perkins**, Pickerington, OH (US); **Ryan R. Berger**, Columbus, OH (US)
- (73) Assignee: **OMS Investments, Inc.**, Los Angeles, CA (US)
- (\*\*) Term: **14 Years**
- (21) Appl. No.: **29/400,948**
- (22) Filed: **Sep. 2, 2011**
- (51) **LOC (10) Cl.** ..... **24-02**
- (52) **U.S. Cl.**  
USPC ..... **D24/117**
- (58) **Field of Classification Search**  
USPC ..... D24/116, 121; 222/192; 30/125, 324  
See application file for complete search history.

D612,488 S *	3/2010	Reay .....	D24/116
8,020,303 B1 *	9/2011	Marsh .....	30/324
D678,502 S *	3/2013	Schmidt et al. ....	D24/108
8,505,782 B1 *	8/2013	Gardiner et al. ....	222/192

**OTHER PUBLICATIONS**

<http://www.booninc.com>; Innovative Modern Baby Products and Stylish Toddler Gear—Boon Inc.; Internet page printed May 19, 2011.

\* cited by examiner

*Primary Examiner* — David Muller

(74) *Attorney, Agent, or Firm* — Hunton & Williams LLP

(57) **CLAIM**

We claim the ornamental design for a dosing spoon, as shown and described.

**DESCRIPTION**

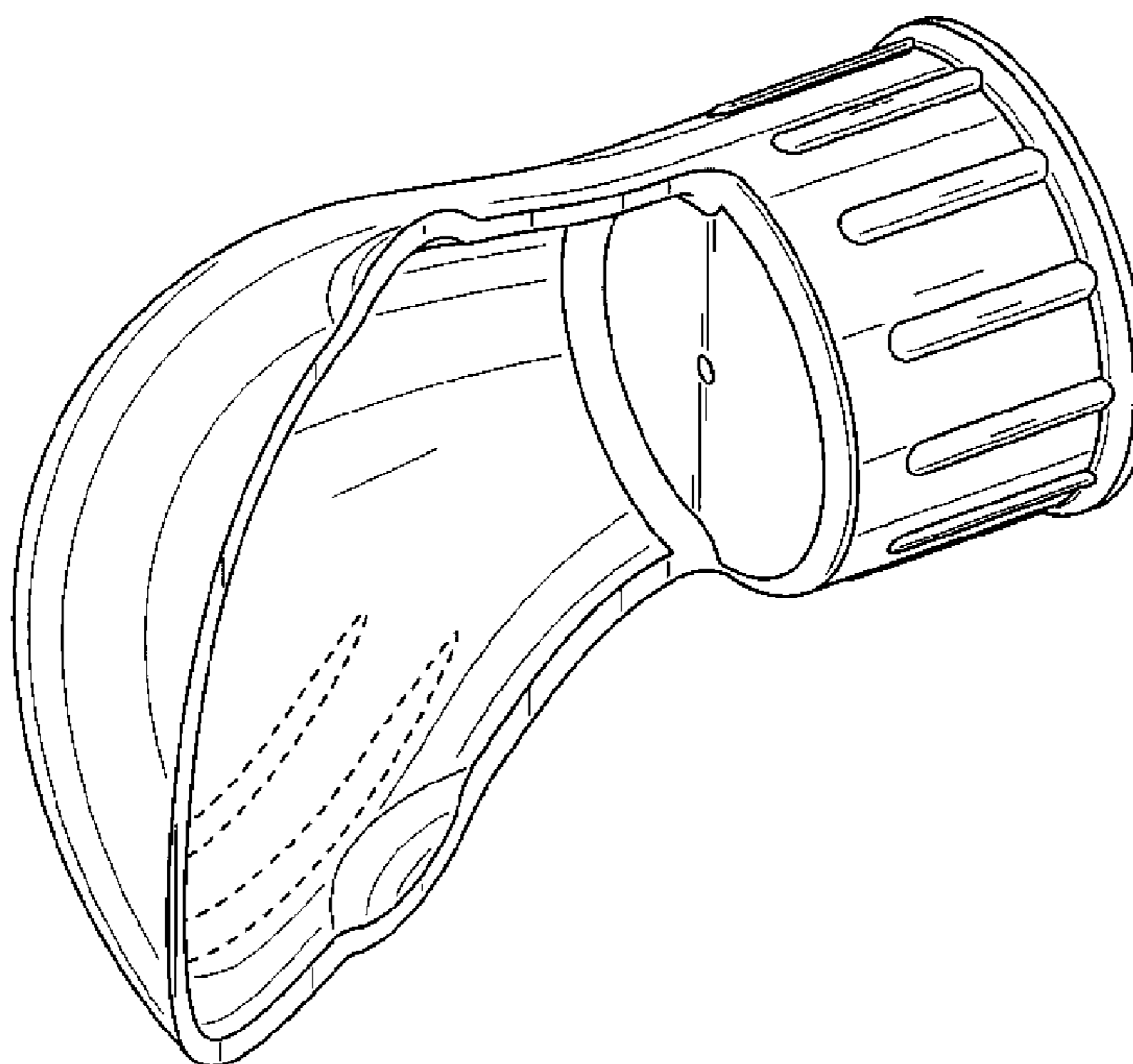
FIG. 1 is a perspective view of a dosing spoon.  
FIG. 2 is a top plan view thereof.  
FIG. 3 is a bottom plan view thereof.  
FIG. 4 is a front elevation view thereof.  
FIG. 5 is a rear elevation view thereof.  
FIG. 6 is a side elevation view thereof; and,  
FIG. 7 is an opposite side elevation view thereof.  
The broken lines in the drawings illustrate environmental structure on the article and form no part of the claimed design.

**1 Claim, 4 Drawing Sheets**

(56) **References Cited**

**U.S. PATENT DOCUMENTS**

2,837,822 A *	6/1958	Wille .....	30/125
2,953,170 A *	9/1960	Bush .....	222/192
3,071,272 A *	1/1963	Doner .....	D24/116
4,091,965 A *	5/1978	Gebhard .....	222/192
4,607,762 A *	8/1986	Zulauf et al.	
4,925,066 A *	5/1990	Rosenbaum .....	222/192
4,941,598 A *	7/1990	Lambelet, Jr. et al.	
5,377,879 A *	1/1995	Isaacs .....	222/192
6,290,102 B1 *	9/2001	Jennings et al. ....	222/158
D500,850 S *	1/2005	Clark et al. ....	D24/116
7,374,046 B1 *	5/2008	O'Brien .....	222/192



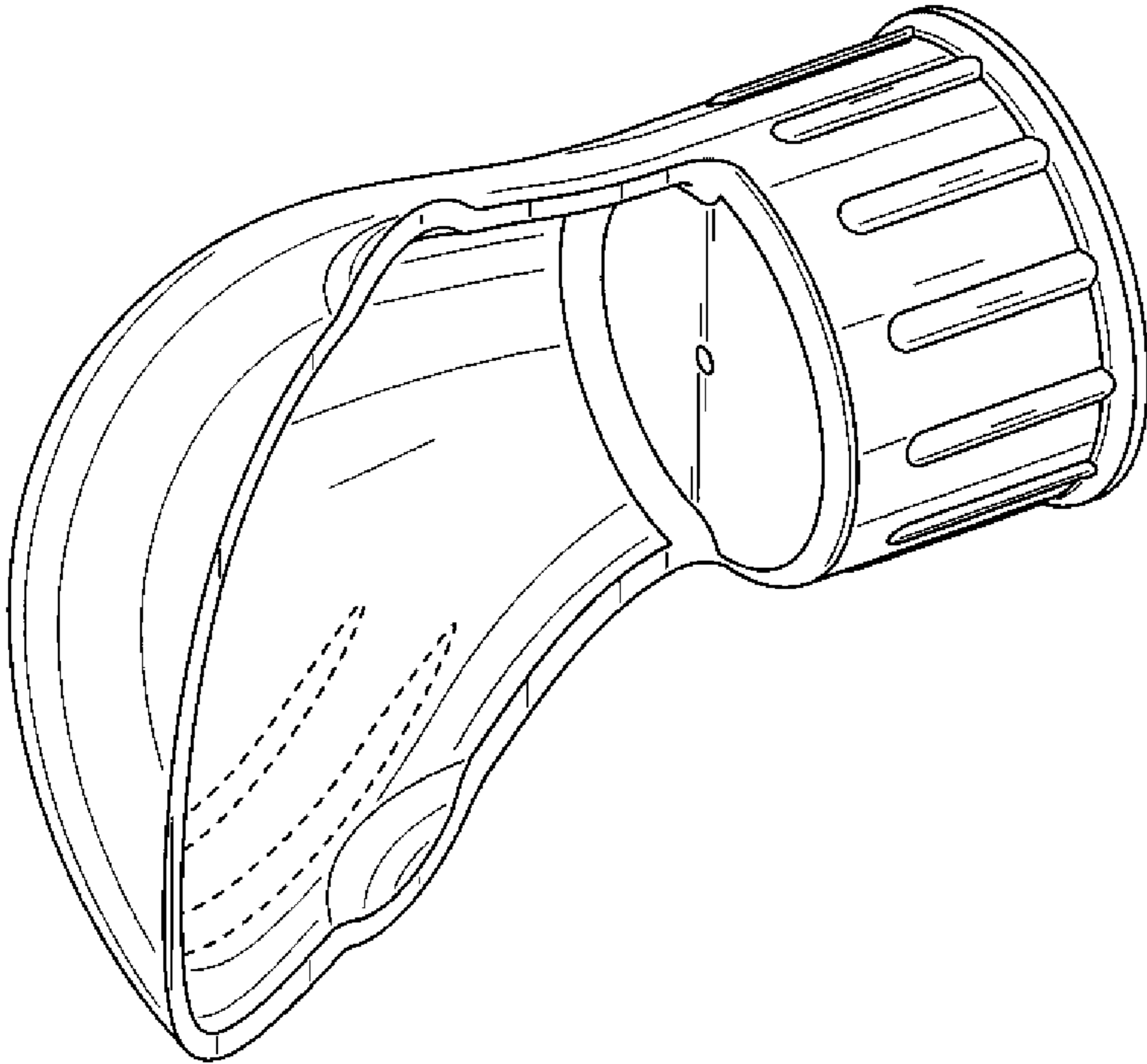


FIG. 1

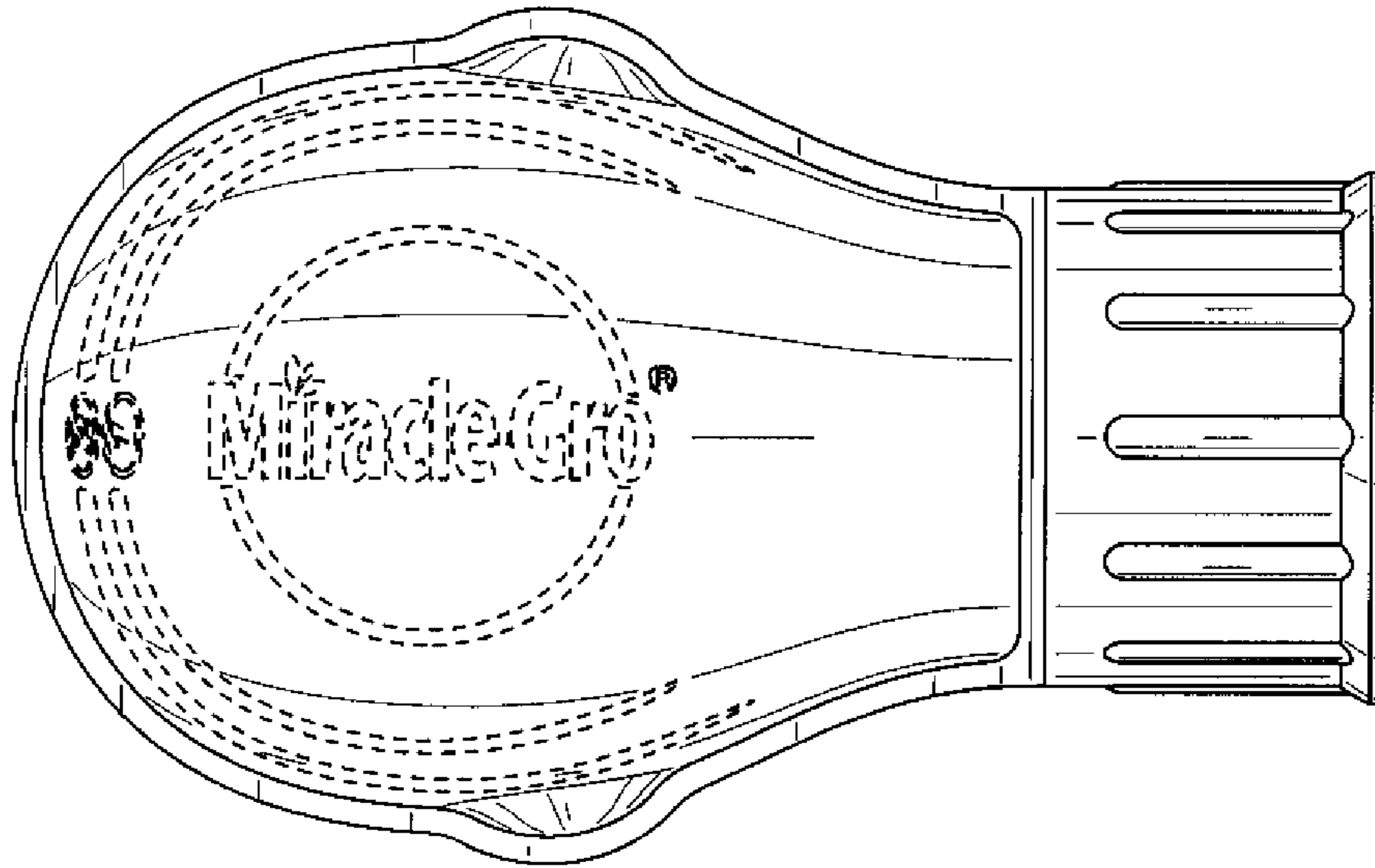


FIG. 2

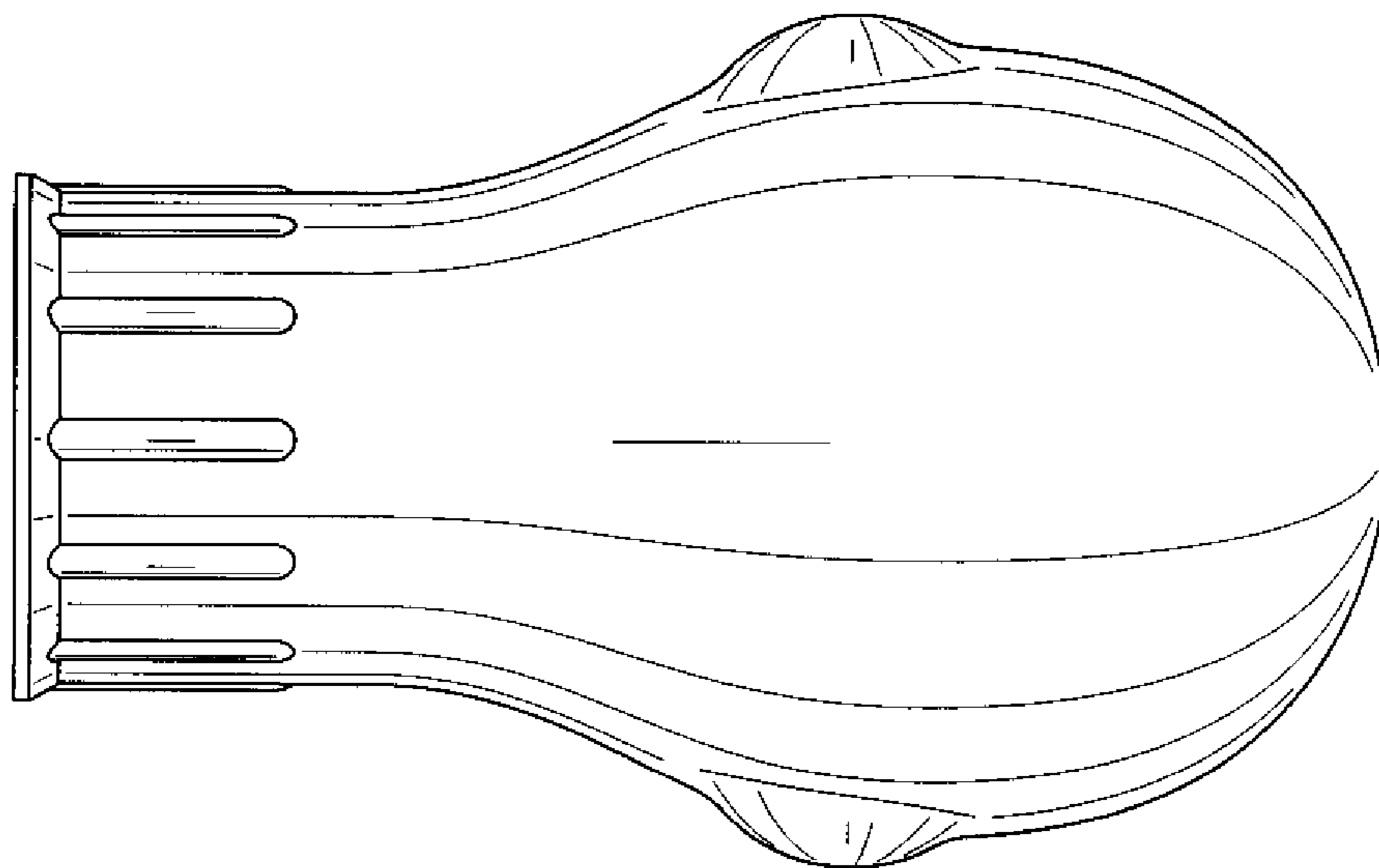


FIG. 3

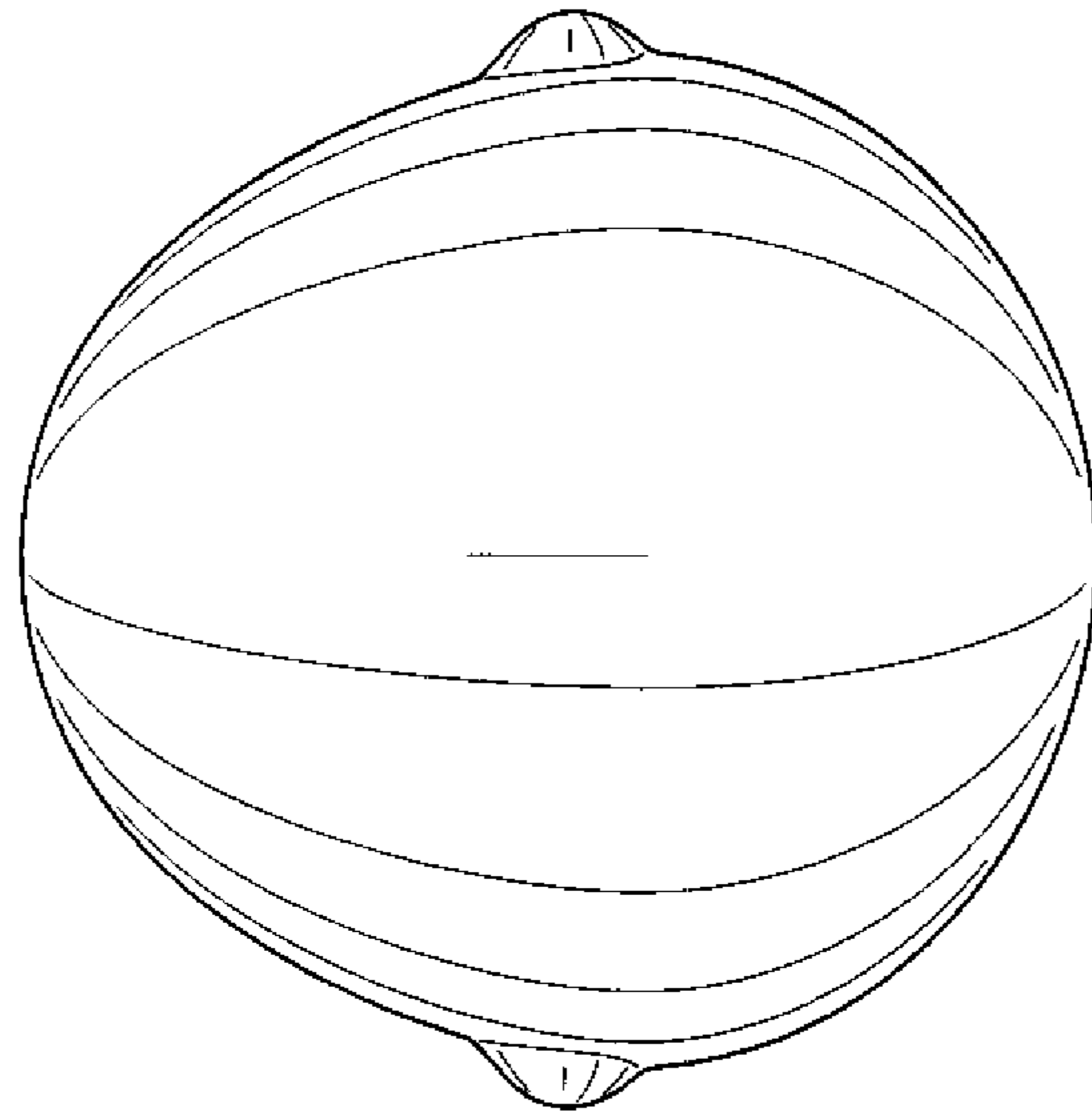


FIG. 4

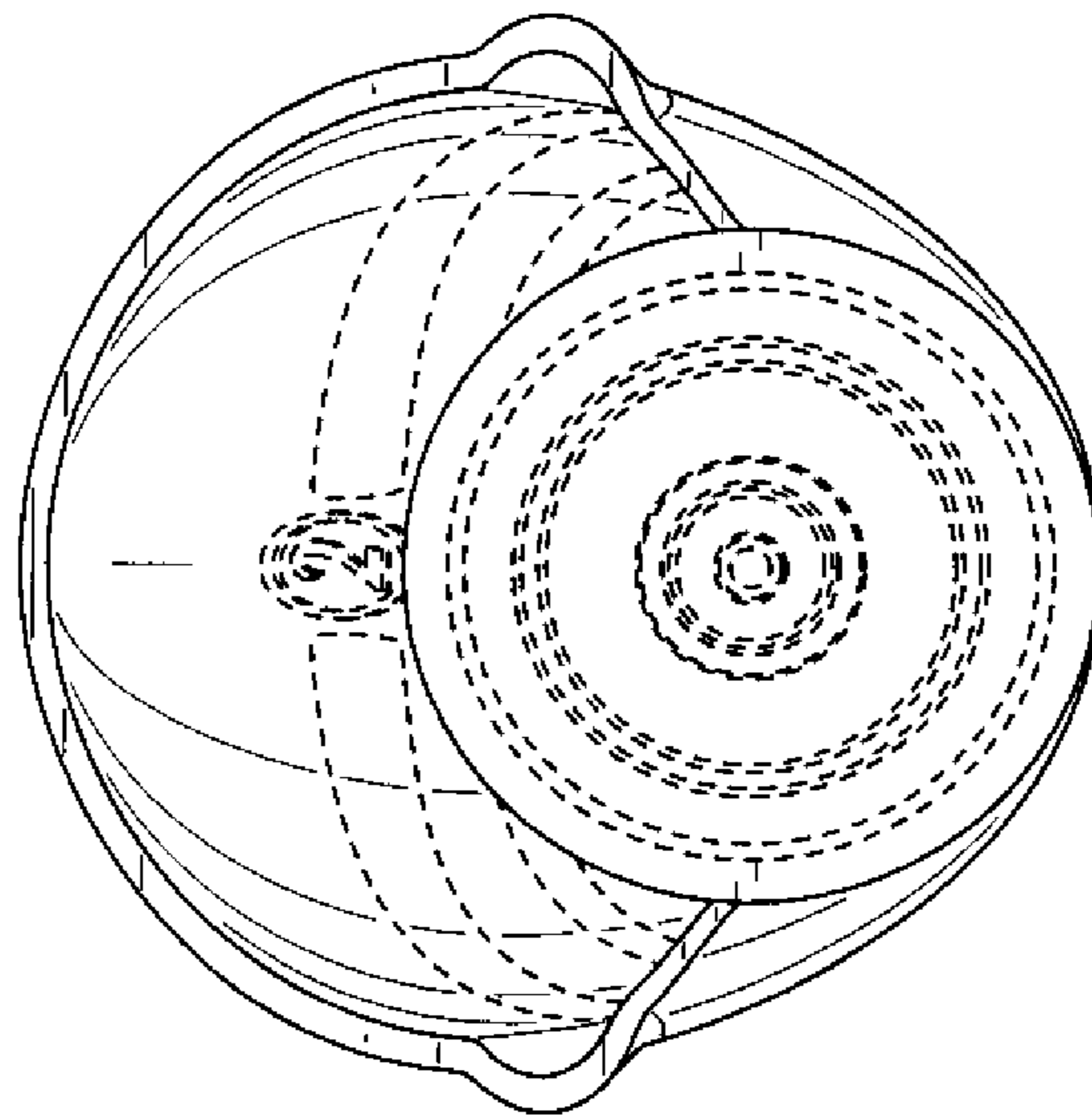


FIG. 5

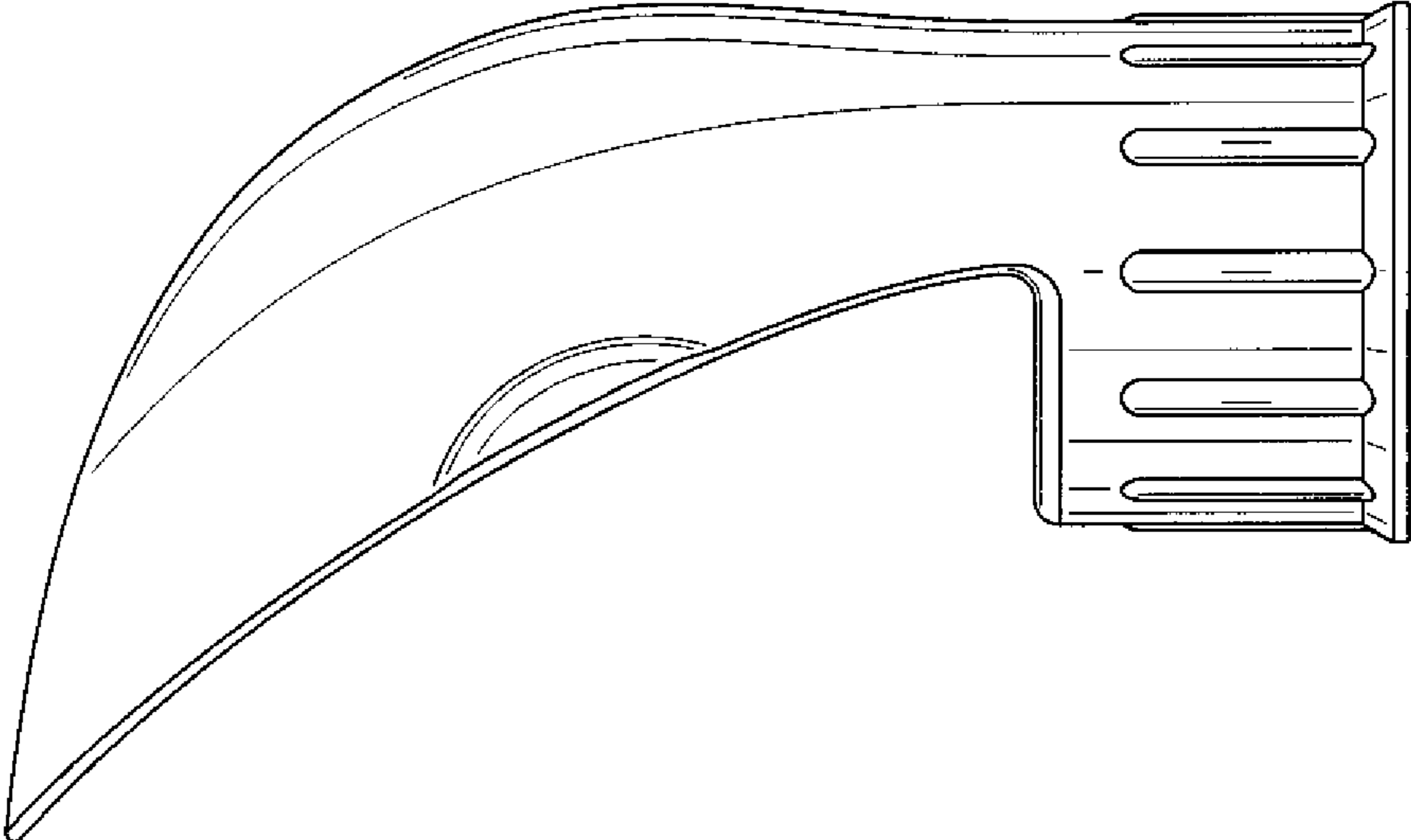


FIG. 6

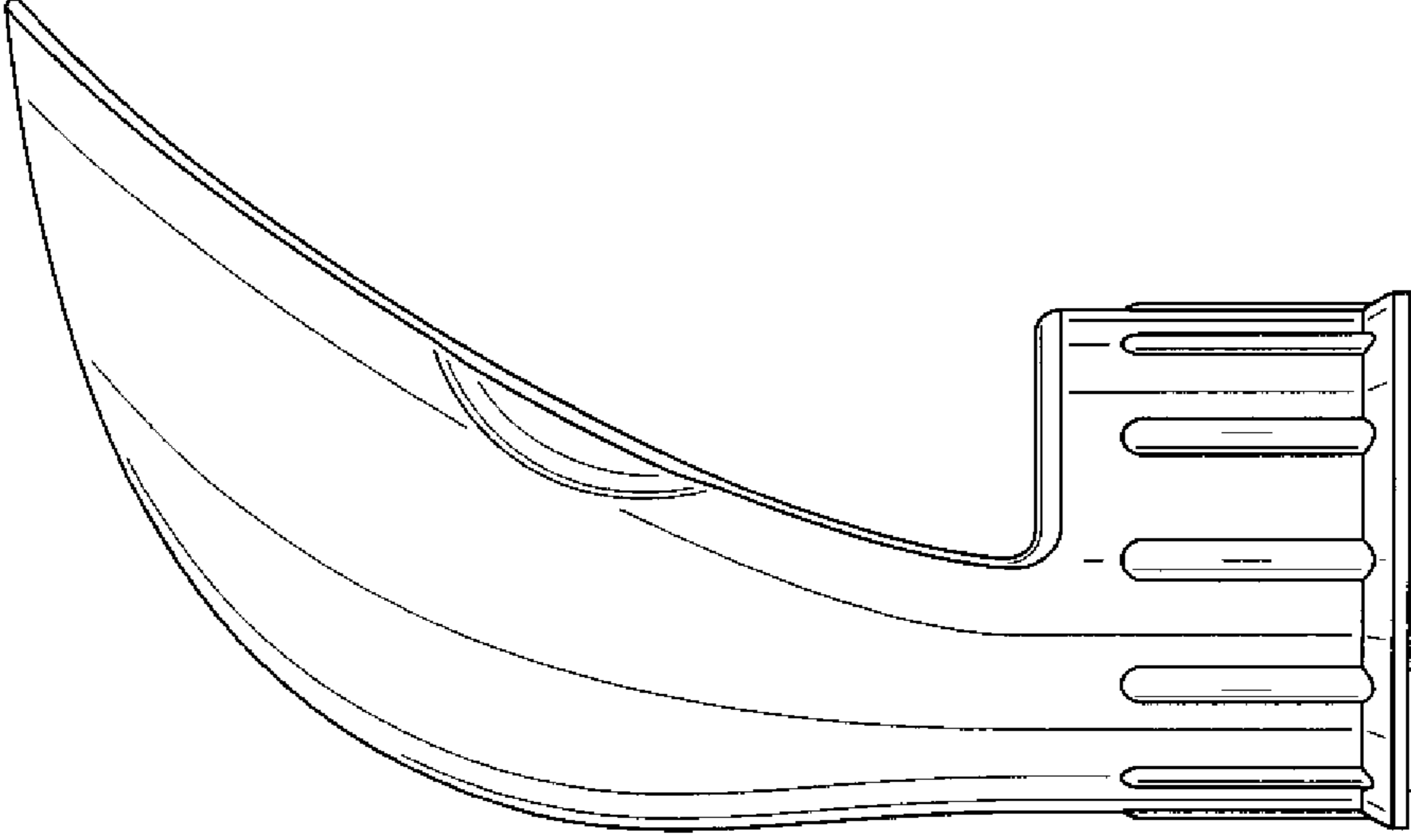


FIG. 7