



US00D708315S

(12) **United States Design Patent**  
**Wang**

(10) **Patent No.:** **US D708,315 S**  
(45) **Date of Patent:** **\*\* Jul. 1, 2014**

(54) **CEILING FAN**

(71) Applicant: **Air Cool Industrial Co., Ltd.**, Taichung (TW)

(72) Inventor: **Cliff Wang**, Taichung (TW)

(73) Assignee: **Air Cool Industrial Co., Ltd.**, Taichung (TW)

(\*\*) Term: **14 Years**

(21) Appl. No.: **29/437,949**

(22) Filed: **Nov. 21, 2012**

(51) **LOC (10) Cl.** ..... **23-04**

(52) **U.S. Cl.**  
USPC ..... **D23/377**

(58) **Field of Classification Search**

CPC ..... F04D 25/088; F04D 25/08; F04D 29/34;  
F04D 29/005; F04D 29/646; F04D 29/263;  
F04D 25/06; F04D 29/20; F04D 29/242;  
F04D 29/325; F04D 29/38; F04D 19/002;  
F04D 1/04; F04D 29/322  
USPC ..... D23/377, 370-376, 378-394, 411-414,  
D23/499; 416/5, 170 R, 214 R, 184, 206,  
416/207, 210 R, 220 R, 244 R, 248; 165/244;  
392/364; 417/423.1

See application file for complete search history.

(56) **References Cited**

**U.S. PATENT DOCUMENTS**

1,227,291	A	*	5/1917	Tucker	.....	416/110
1,583,864	A	*	5/1926	Tucker	.....	416/142
2,429,061	A	*	10/1947	Hunter	.....	244/134 D
D284,304	S	*	6/1986	Harber	.....	D23/377
D328,785	S	*	8/1992	Markwardt	.....	D23/377
D357,978	S	*	5/1995	Young	.....	D23/377
D382,955	S	*	8/1997	Liu	.....	D23/411
D405,878	S	*	2/1999	Tai	.....	D23/377

D450,831	S	*	11/2001	Hsieh	.....	D23/377
D460,817	S	*	7/2002	Frampton	.....	D23/413
D461,889	S	*	8/2002	Tang	.....	D23/413
D480,465	S	*	10/2003	Wilson	.....	D23/377
D483,105	S	*	12/2003	Hsieh	.....	D23/377
D484,588	S	*	12/2003	Tai	.....	D23/377
D485,897	S	*	1/2004	Tai	.....	D23/377
D510,425	S	*	10/2005	Young	.....	D23/377
D510,620	S	*	10/2005	Young	.....	D23/377
D510,621	S	*	10/2005	Gajewski	.....	D23/377
D512,498	S	*	12/2005	Hidalgo	.....	D23/377
D513,316	S	*	12/2005	Gajewski	.....	D23/377
D514,215	S	*	1/2006	Hidalgo	.....	D23/377
D515,200	S	*	2/2006	Tinen	.....	D23/411
D515,686	S	*	2/2006	Young	.....	D23/377
D516,195	S	*	2/2006	Hidalgo	.....	D23/377
D516,202	S	*	2/2006	Hidalgo	.....	D23/411
D516,206	S	*	2/2006	Pickett	.....	D23/413
D518,164	S	*	3/2006	Hidalgo	.....	D23/411
D520,131	S	*	5/2006	Hidalgo	.....	D23/377

(Continued)

*Primary Examiner* — Susan Bennett Hattan

*Assistant Examiner* — Marie Fast Horse

(74) *Attorney, Agent, or Firm* — Ming Chow; Sinorica, LLC

(57)

**CLAIM**

I claim the ornamental design for a ceiling fan, as shown and described.

**DESCRIPTION**

FIG. 1 is a front perspective view of a ceiling fan showing my new design;

FIG. 2 is a front elevational view thereof;

FIG. 3 is a rear elevational view thereof.

FIG. 4 is a left side elevational view thereof;

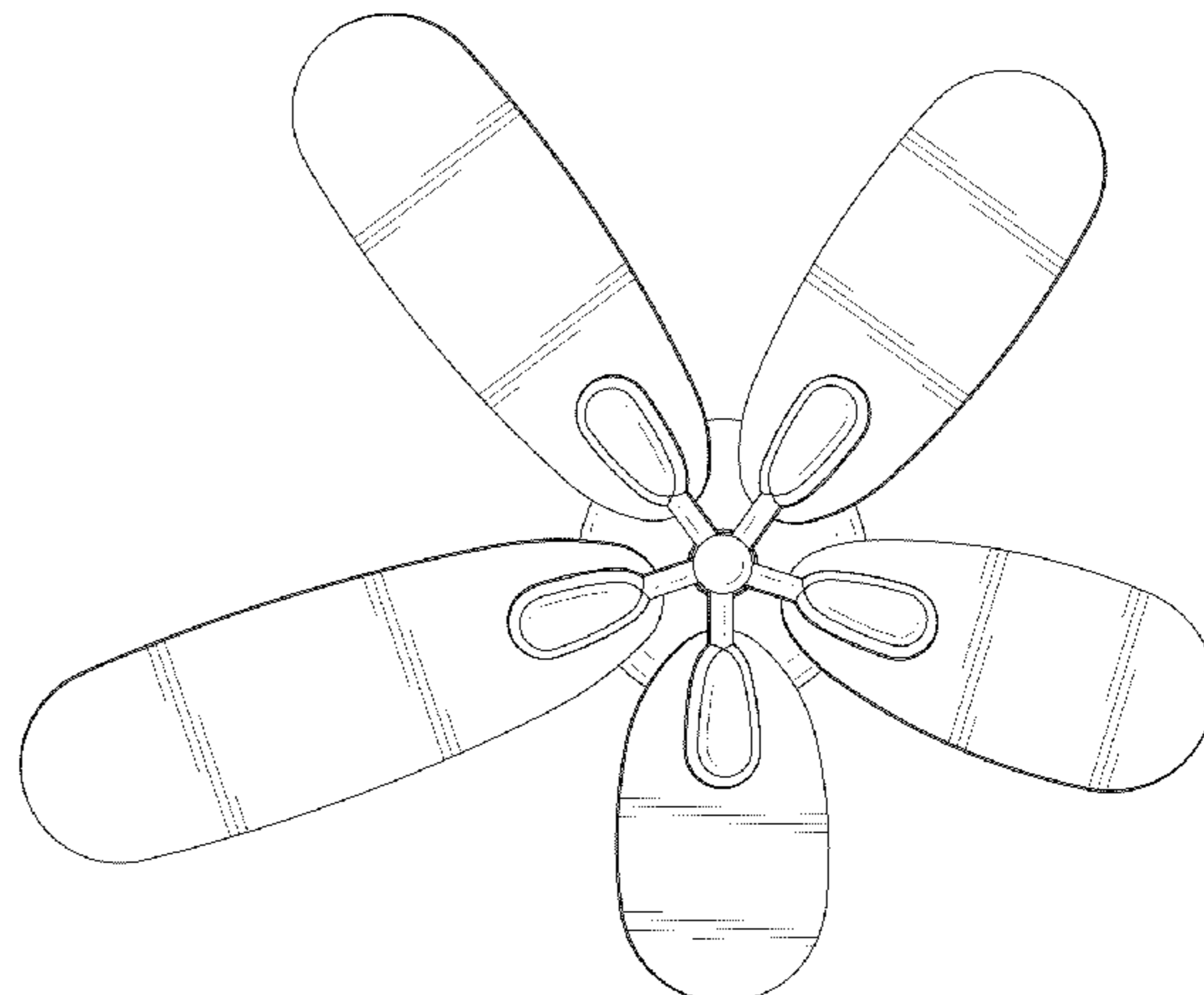
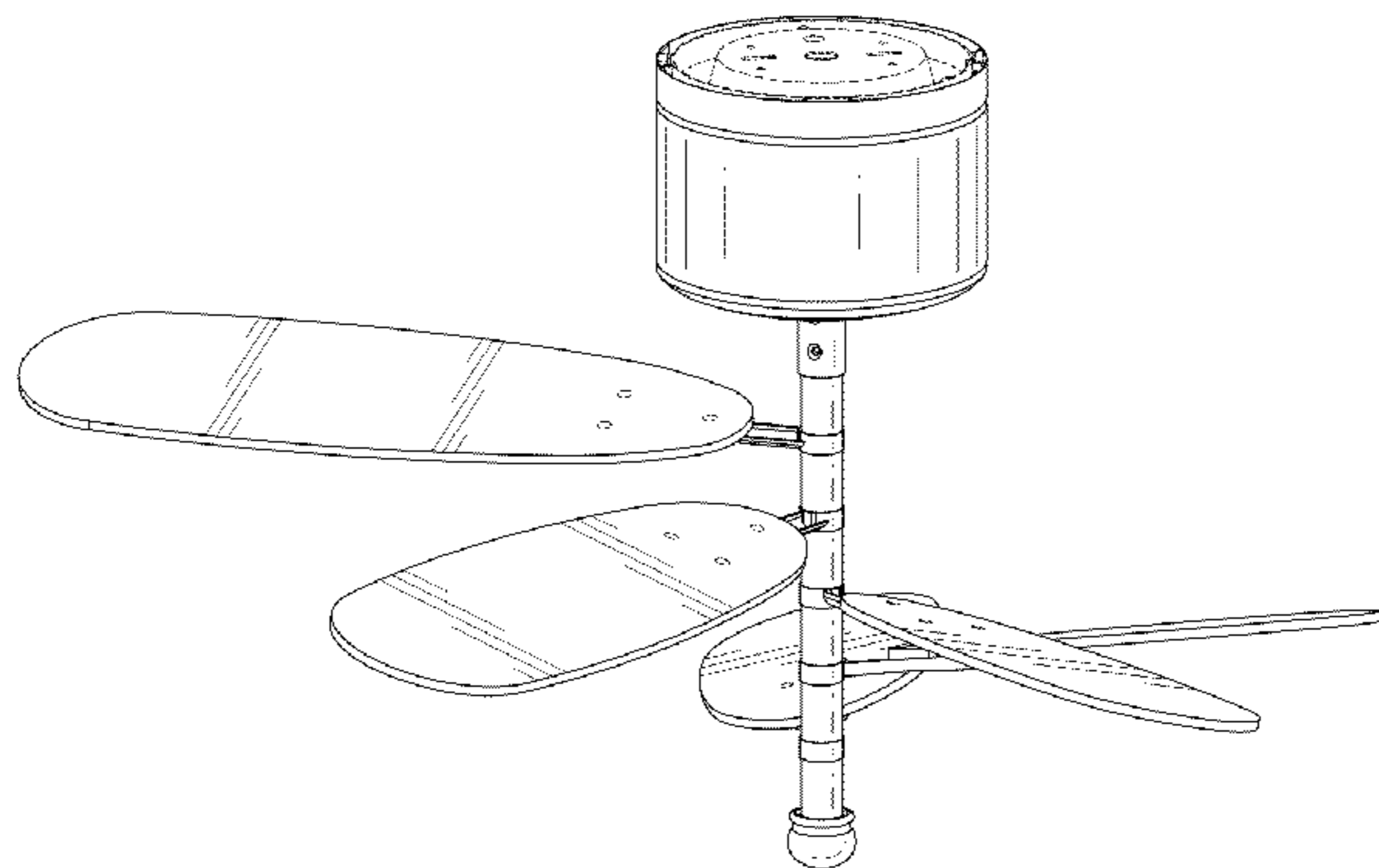
FIG. 5 is a right side elevational view thereof;

FIG. 6 is a top plan view thereof; and,

FIG. 7 is a bottom plan view thereof.

The broken lines in the drawing depict environmental subject matter only and form no part of the claimed design.

**1 Claim, 7 Drawing Sheets**



(56)

**References Cited**

U.S. PATENT DOCUMENTS

D523,954 S *	6/2006	Frampton	.....	D23/413	D627,874 S *	11/2010	Pan	.....	D23/411
D565,725 S *	4/2008	Badarello	.....	D23/413	D638,115 S *	5/2011	VanOtten Tolman	.....	D23/377
7,384,242 B2 *	6/2008	Ming	.....	416/210 R	D639,927 S *	6/2011	Frampton	.....	D23/411
D595,404 S *	6/2009	Pan	.....	D23/411	D661,792 S *	6/2012	VanOtten Tolman	.....	D23/377
D598,090 S *	8/2009	Pittman et al.	.....	D23/377	D664,279 S *	7/2012	Meise et al.	.....	D26/74
D599,462 S *	9/2009	Roo et al.	.....	D23/377	8,241,017 B2 *	8/2012	Yamamoto et al.	.....	417/423.1
D615,181 S *	5/2010	Lee et al.	.....	D23/377	D672,448 S *	12/2012	Passauer, III	.....	D23/377
D627,873 S *	11/2010	Pan	.....	D23/411	8,449,252 B2 *	5/2013	Van Otten Tolman	.....	416/1
					2003/0082062 A1 *	5/2003	Chen	.....	417/423.5
					2011/0110805 A1 *	5/2011	Gammack et al.	.....	417/423.1

\* cited by examiner

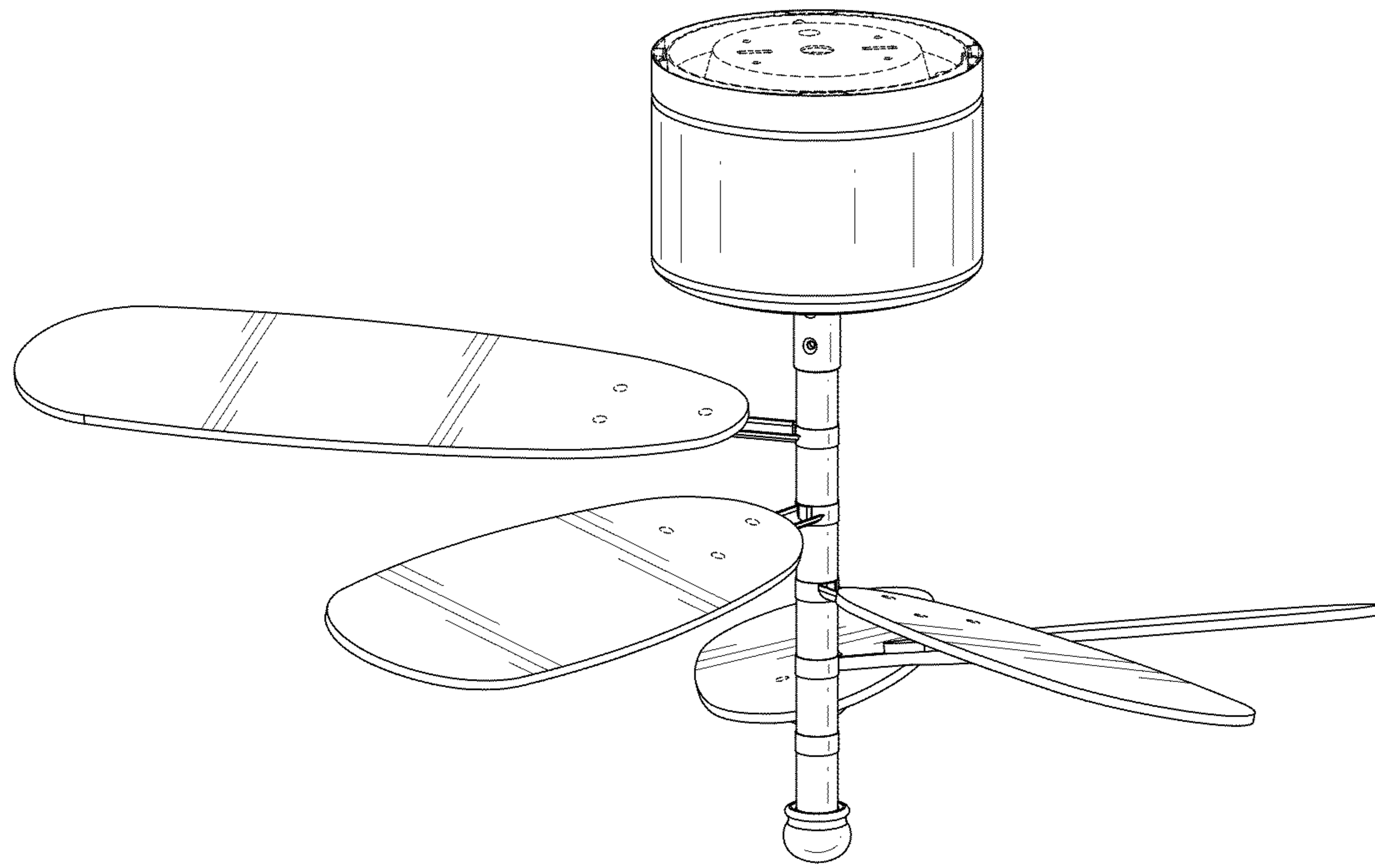


FIG. 1

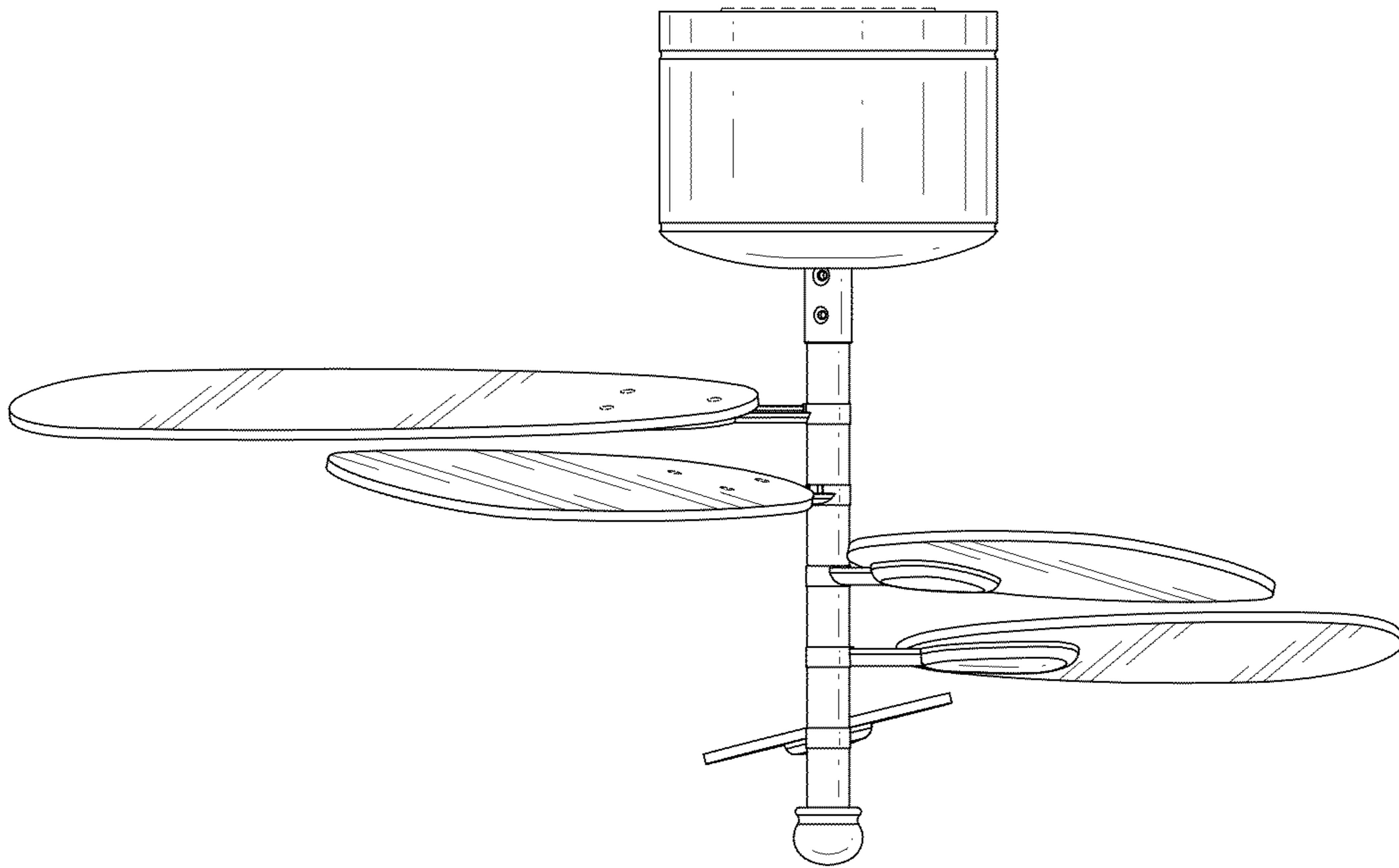


FIG. 2

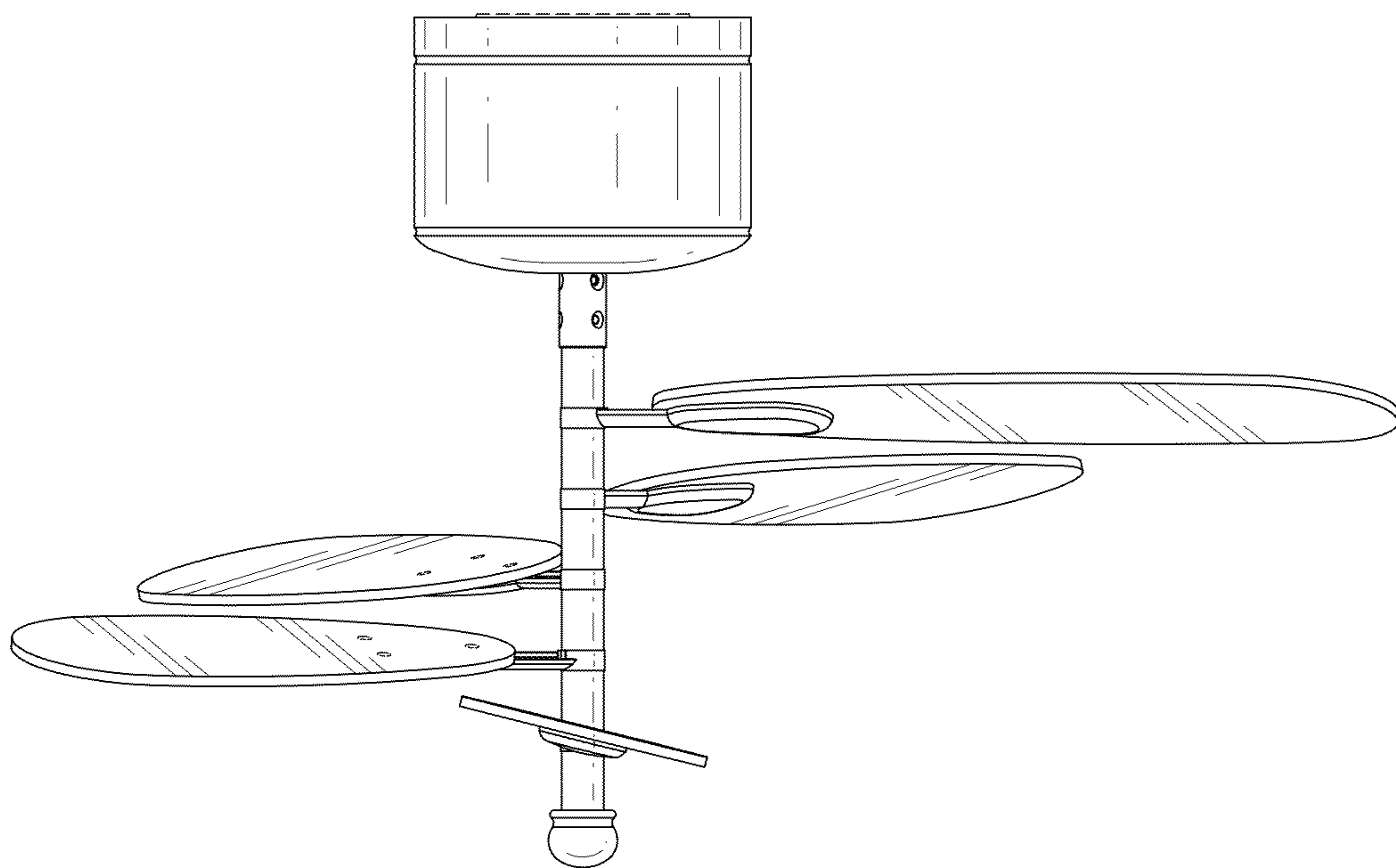


FIG. 3

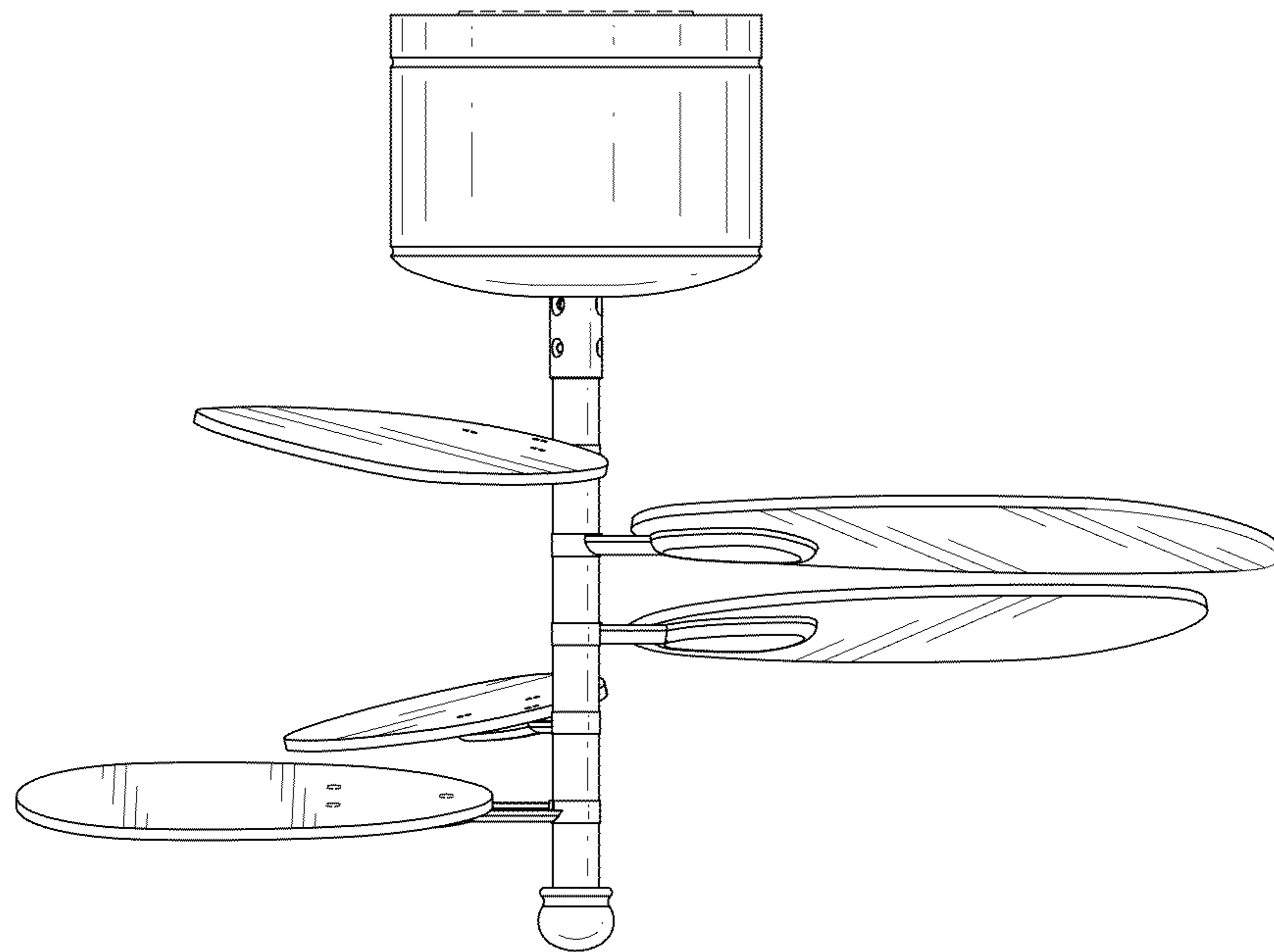


FIG. 4

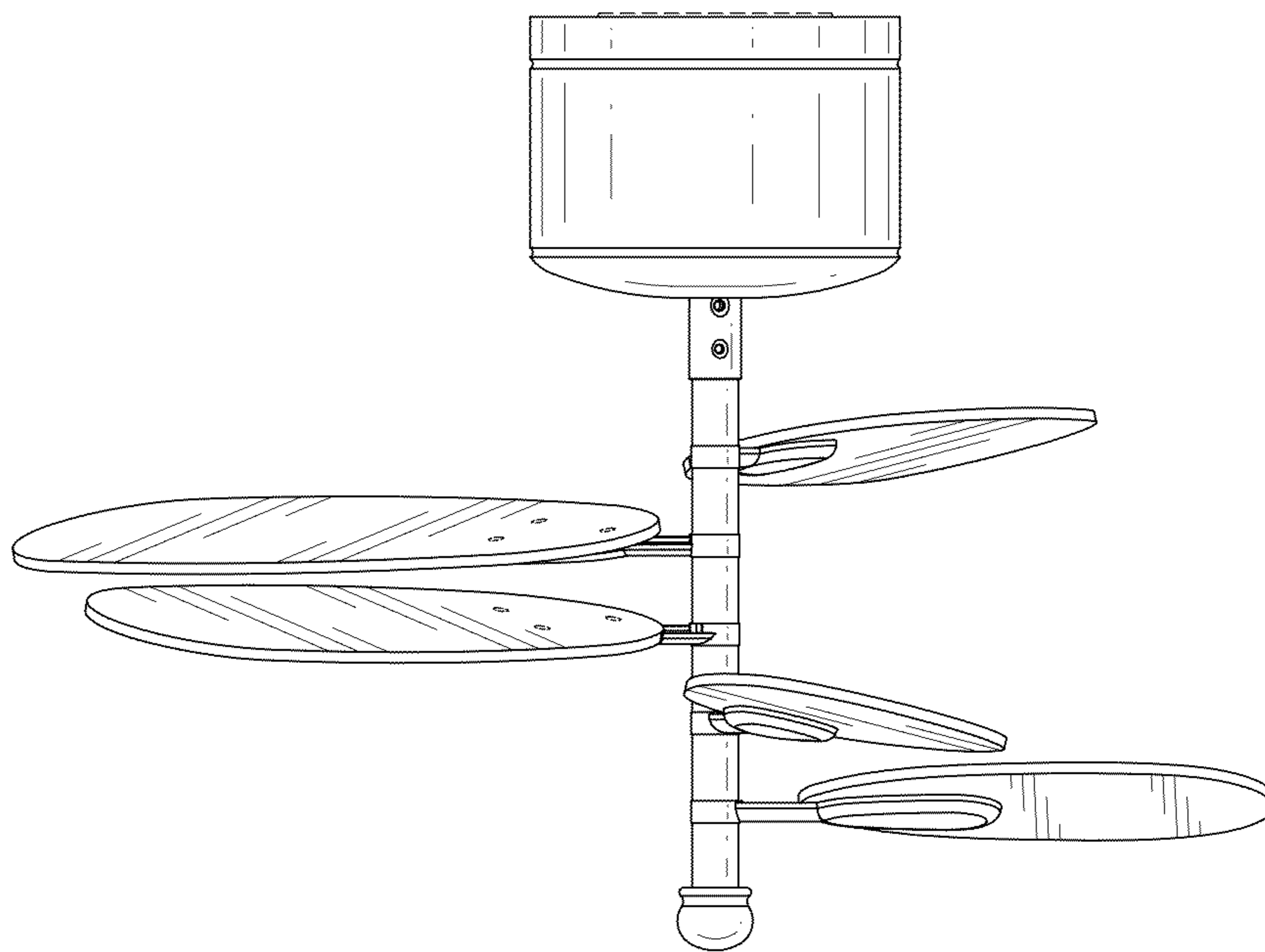


FIG. 5

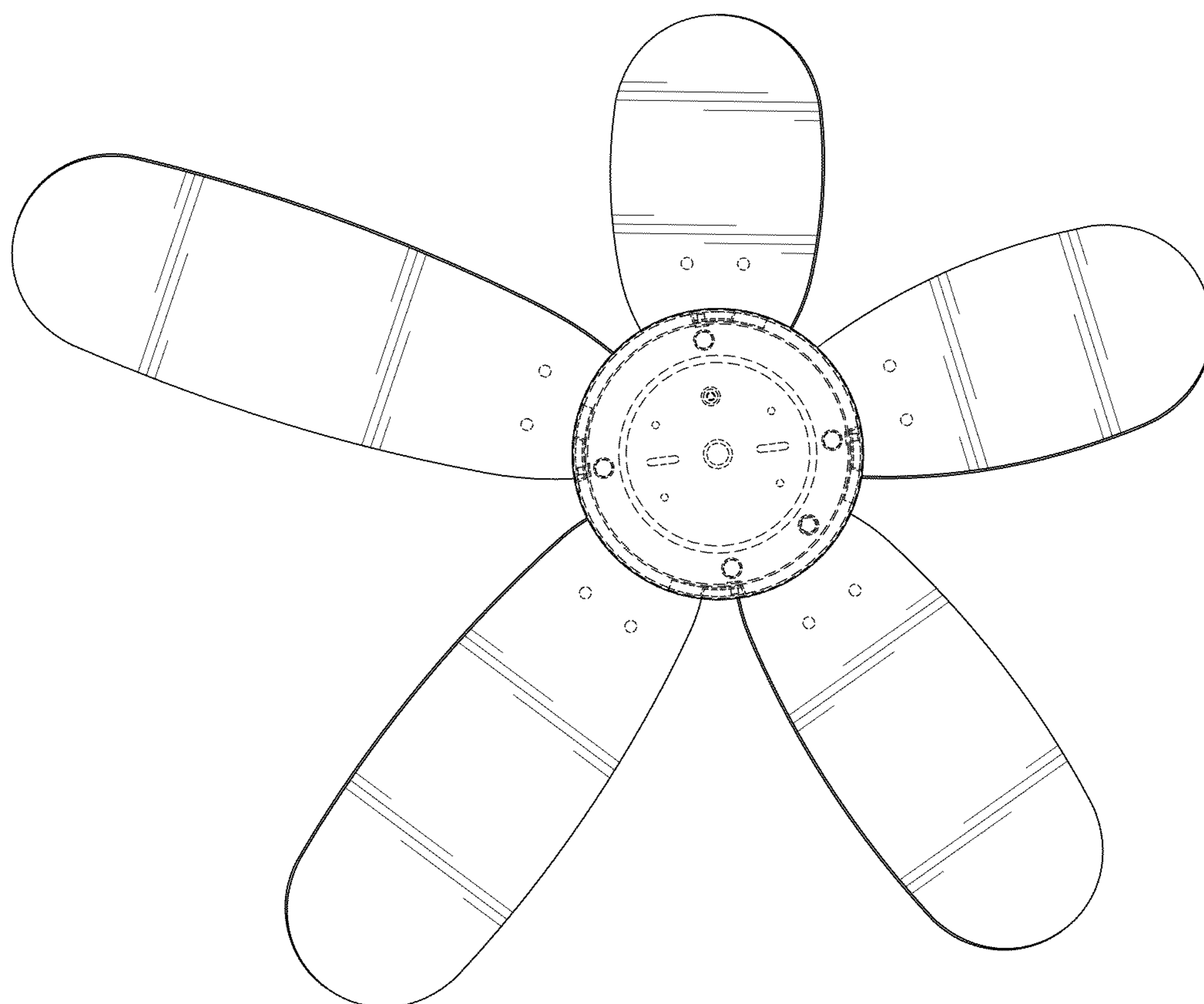


FIG. 6



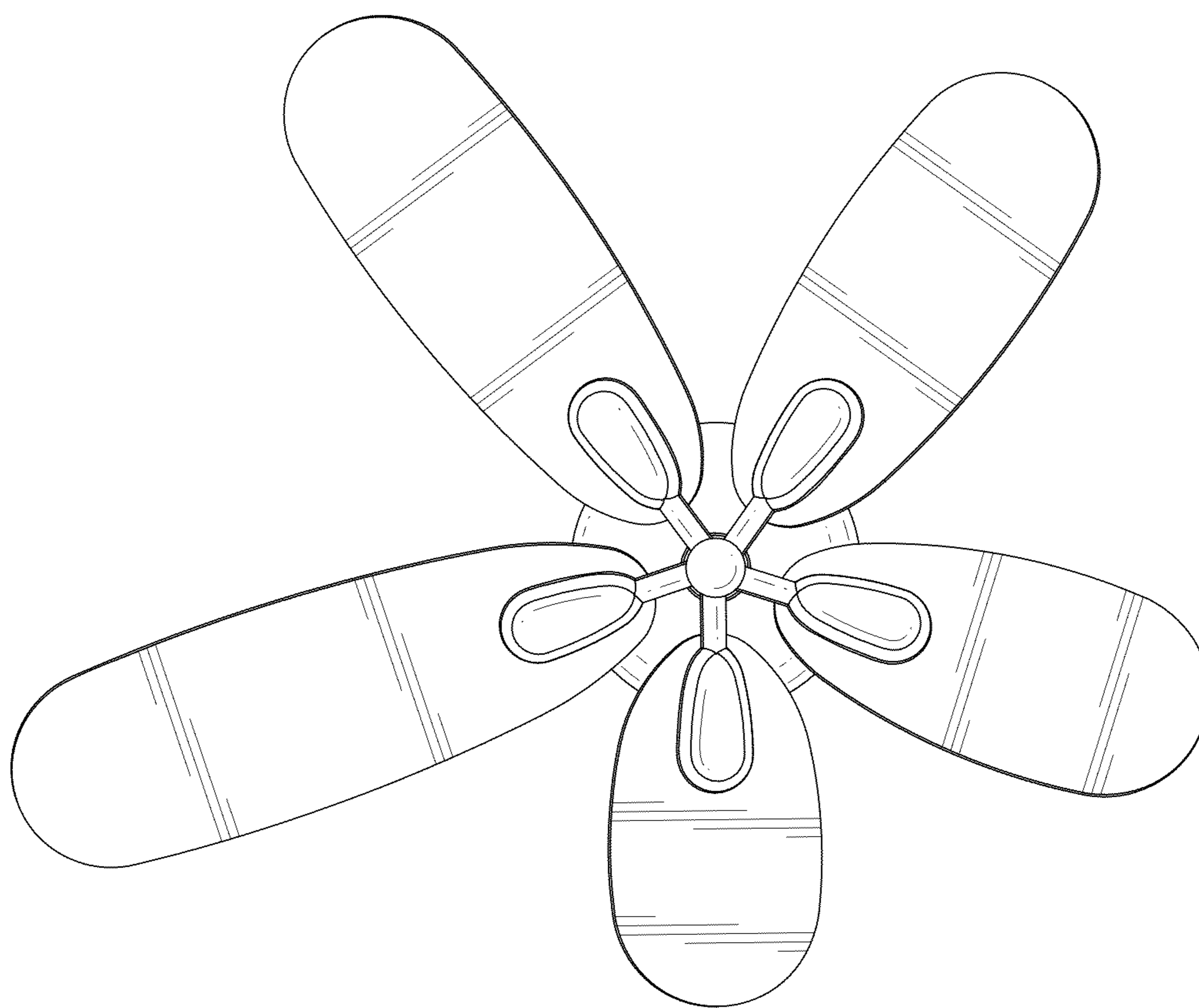


FIG. 7