



US00D708314S

(12) **United States Design Patent**  
**Pan**

(10) **Patent No.:** **US D708,314 S**  
(45) **Date of Patent:** **\*\* Jul. 1, 2014**

(54) **COMBINED CEILING FAN AND LIGHT KIT**

(71) Applicant: **Air Cool Industrial Co., Ltd.**, Taichung (TW)

(72) Inventor: **Peter Pan**, Taichung (TW)

(73) Assignee: **Air Cool Industrial Co., Ltd.**, Taichung (TW)

(\*\*) Term: **14 Years**

(21) Appl. No.: **29/437,441**

(22) Filed: **Nov. 16, 2012**

(51) **LOC (10) Cl.** ..... **23-04**

(52) **U.S. Cl.**  
USPC ..... **D23/377**; D23/411; D26/59

(58) **Field of Classification Search**  
USPC ..... D23/377, 370-376, 378-394, 411-414, D23/499; D26/59, 51, 72, 73, 80-86, D26/88-90; 165/244; 362/96, 294; 416/5, 416/170 R, 214 R, 184, 206, 207, 210 R, 416/220 R, 244 R, 248; 417/423.1; 392/364  
See application file for complete search history.

D400,278 S *	10/1998	Binsukor	.....	D26/67
D410,105 S *	5/1999	Fouke	.....	D26/88
D444,588 S *	7/2001	Lin	.....	D26/85
6,367,942 B1 *	4/2002	Bauer	.....	362/34
D468,051 S *	12/2002	Gaskins et al.	.....	D26/123
D485,002 S *	1/2004	Lin	.....	D26/85
D510,620 S *	10/2005	Young	.....	D23/377
D515,686 S *	2/2006	Young	.....	D23/377
D517,682 S *	3/2006	Frampton et al.	.....	D23/411
D530,039 S *	10/2006	Blackman	.....	D26/85
D534,273 S *	12/2006	Pan	.....	D23/411
D574,076 S *	7/2008	Baraky	.....	D23/366
D579,602 S *	10/2008	Gotz-Schafer	.....	D26/86
D581,509 S *	11/2008	Marshall	.....	D23/377
D590,086 S *	4/2009	Laporta	.....	D26/67
D628,283 S *	11/2010	Valentino et al.	.....	D23/366
D647,608 S *	10/2011	Young et al.	.....	D23/366
D659,886 S *	5/2012	Wauters	.....	D26/90

\* cited by examiner

*Primary Examiner* — Susan Bennett Hattan

*Assistant Examiner* — Marie Fast Horse

(74) *Attorney, Agent, or Firm* — Ming Chow; Sinorica, LLC

(57) **CLAIM**

I claim the ornamental design for a combined ceiling fan and light kit, as shown and described.

**DESCRIPTION**

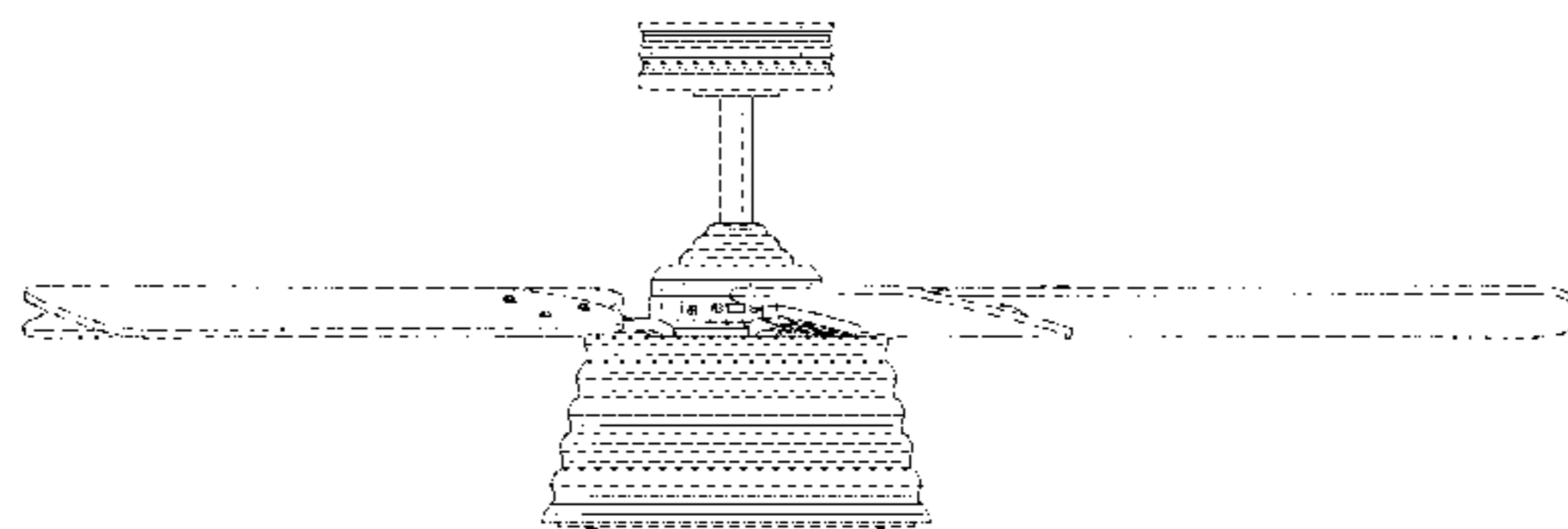
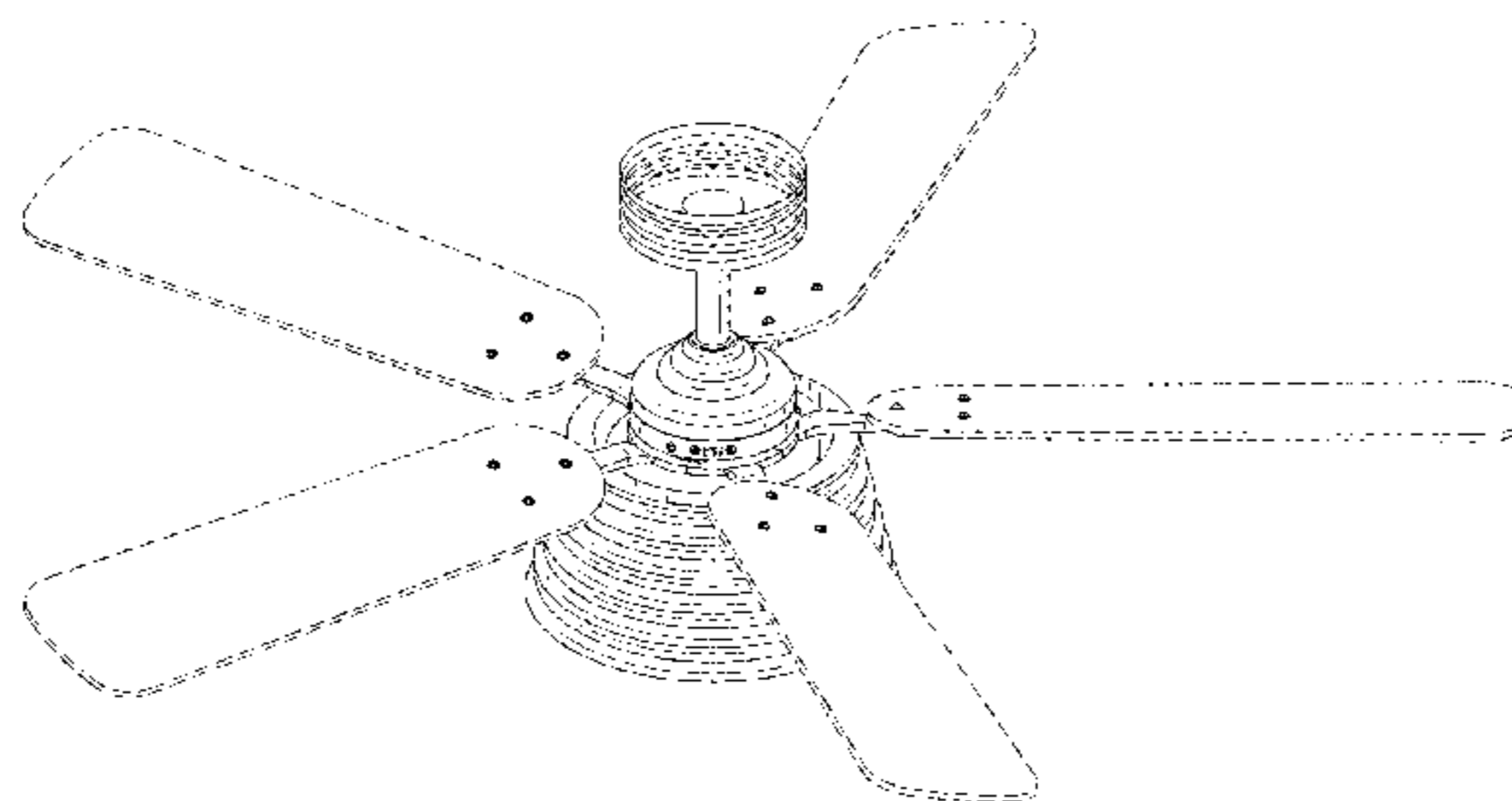
FIG. 1 is a front perspective view of a combined ceiling fan and light kit showing my new design; FIG. 2 is a front elevational view thereof; FIG. 3 is a rear elevational view thereof. FIG. 4 is a left side elevational view thereof; FIG. 5 is a right side elevational view thereof; FIG. 6 is a top plan view thereof; and, FIG. 7 is a bottom plan view thereof. The broken lines in the drawings depict environmental subject matter only and form no part of the claimed design.

**1 Claim, 5 Drawing Sheets**

(56) **References Cited**

U.S. PATENT DOCUMENTS

D97,996 S *	12/1935	Glatthar et al.	.....	D26/86
D112,840 S *	1/1939	Manning	.....	D26/86
D112,841 S *	1/1939	Manning	.....	D26/86
D113,971 S *	3/1939	Kirk	.....	D26/88
D135,550 S *	4/1943	Jones	.....	D26/51
D252,833 S *	9/1979	Bowser	.....	D26/85
D295,555 S *	5/1988	Greenberg	.....	D23/385
D307,641 S *	5/1990	De'Armond	.....	D26/85
D334,055 S *	3/1993	Oyama et al.	.....	D23/377
D345,790 S *	4/1994	Caldwell	.....	D23/377
D360,966 S *	8/1995	Dolan	.....	D26/86
5,624,230 A *	4/1997	Taylor et al.	.....	416/5



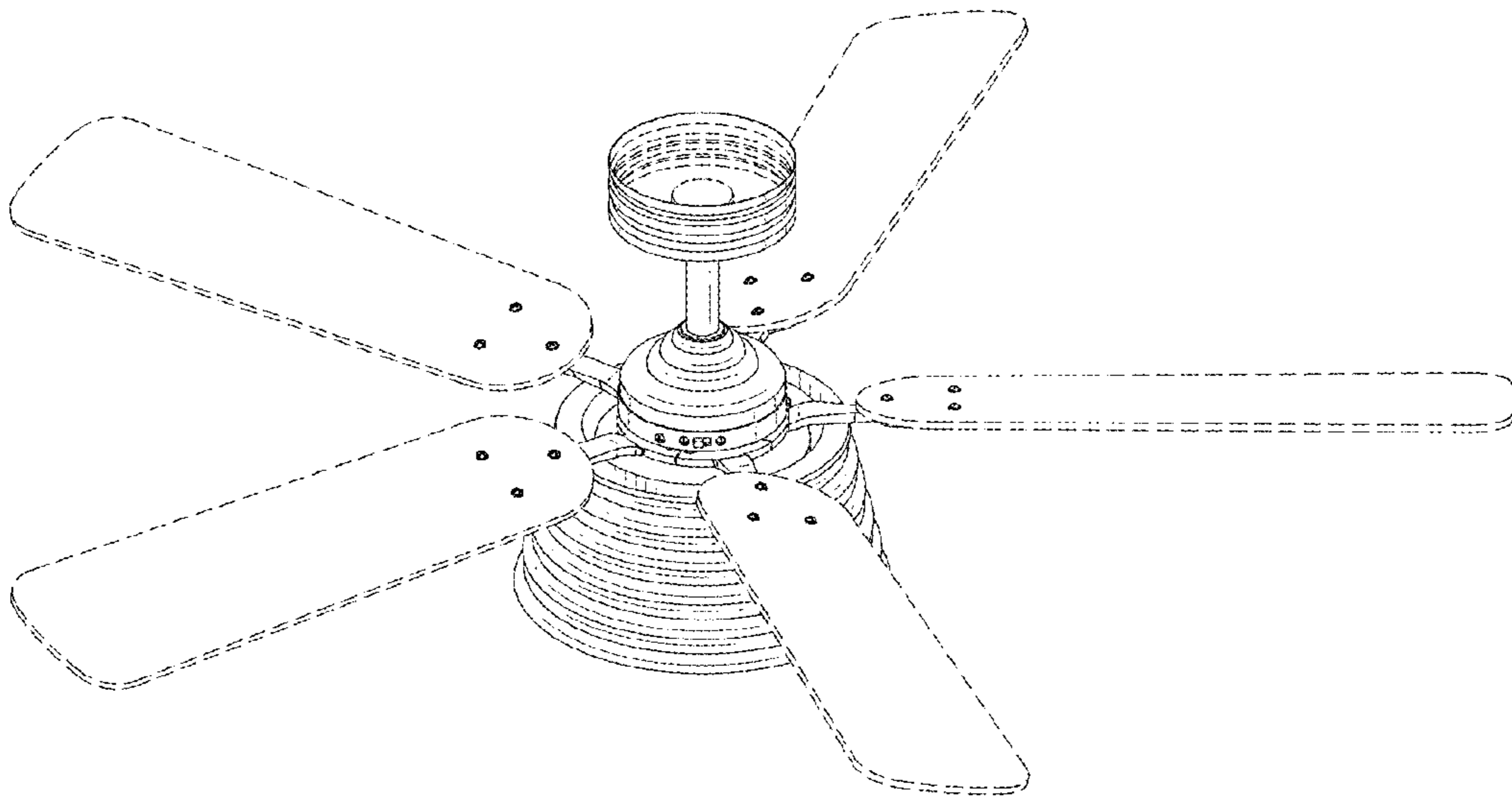


FIG. 1

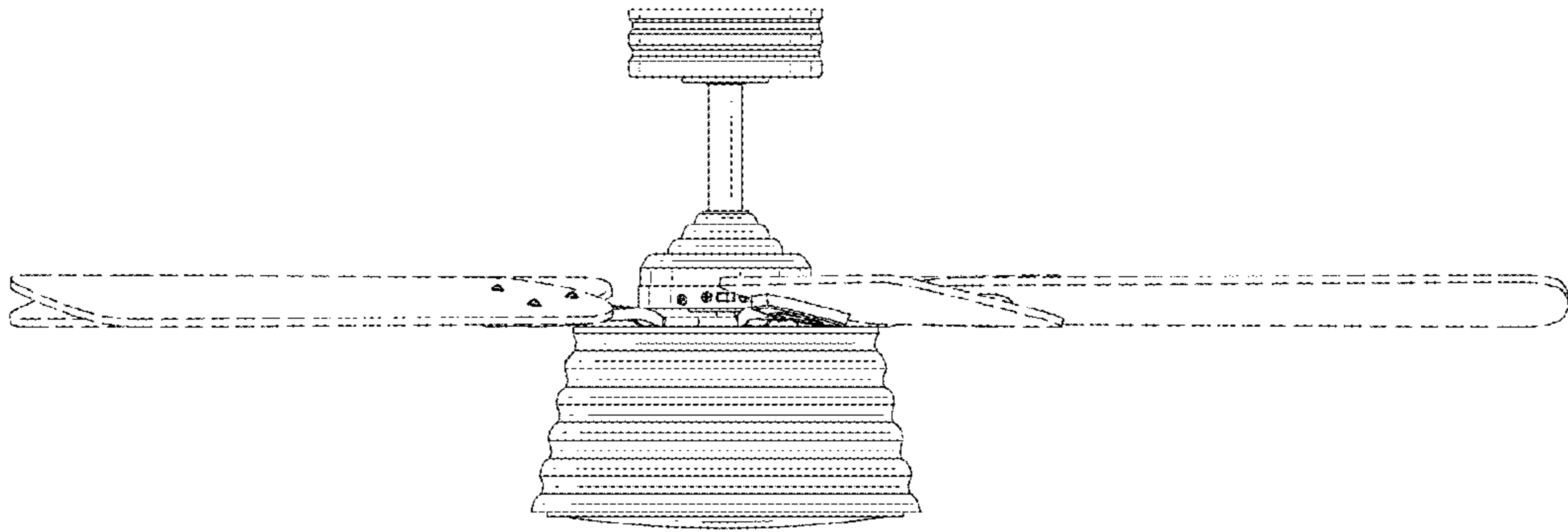


FIG. 2

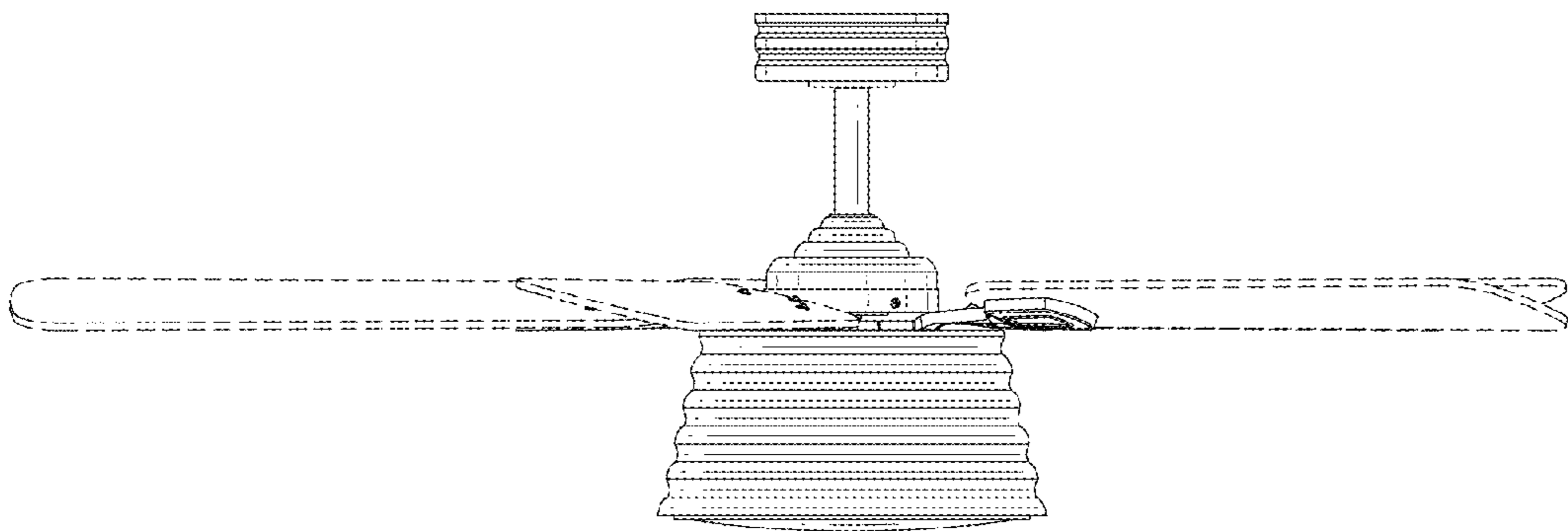


FIG. 3

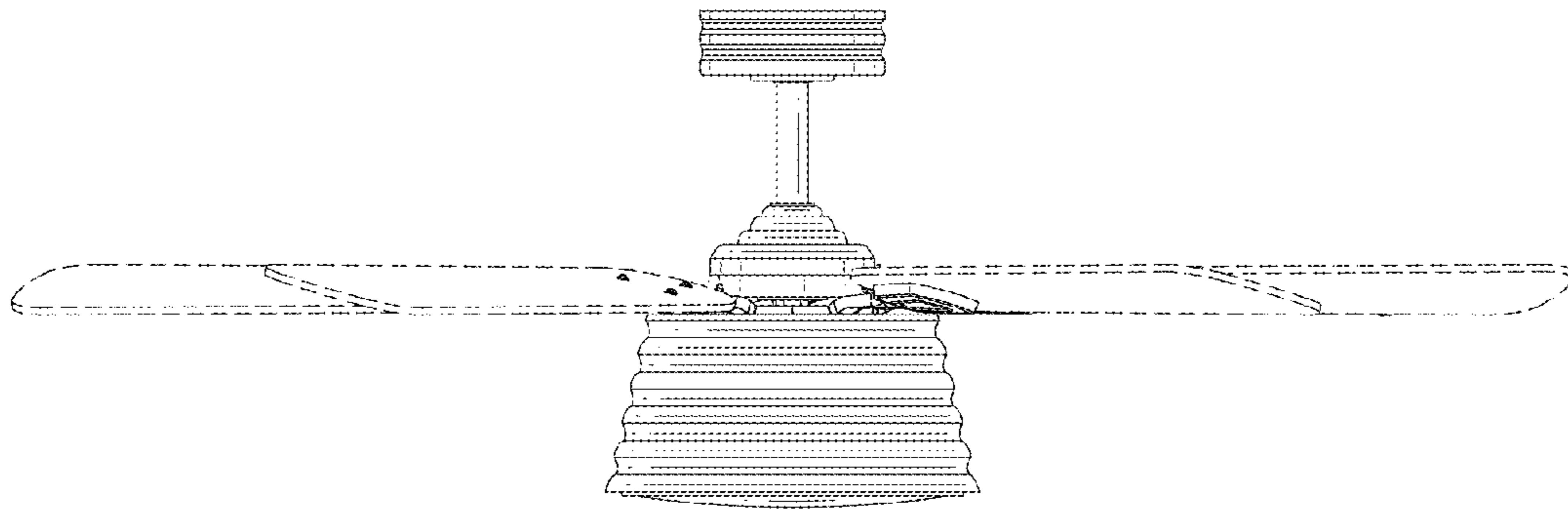


FIG. 4

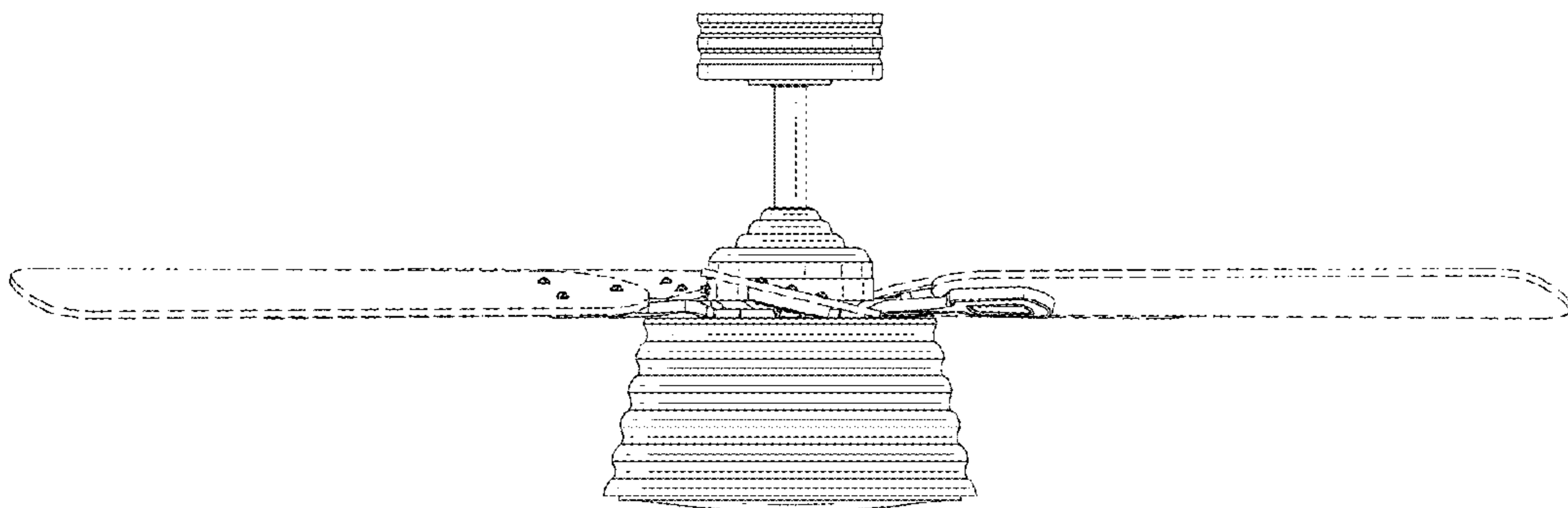


FIG. 5

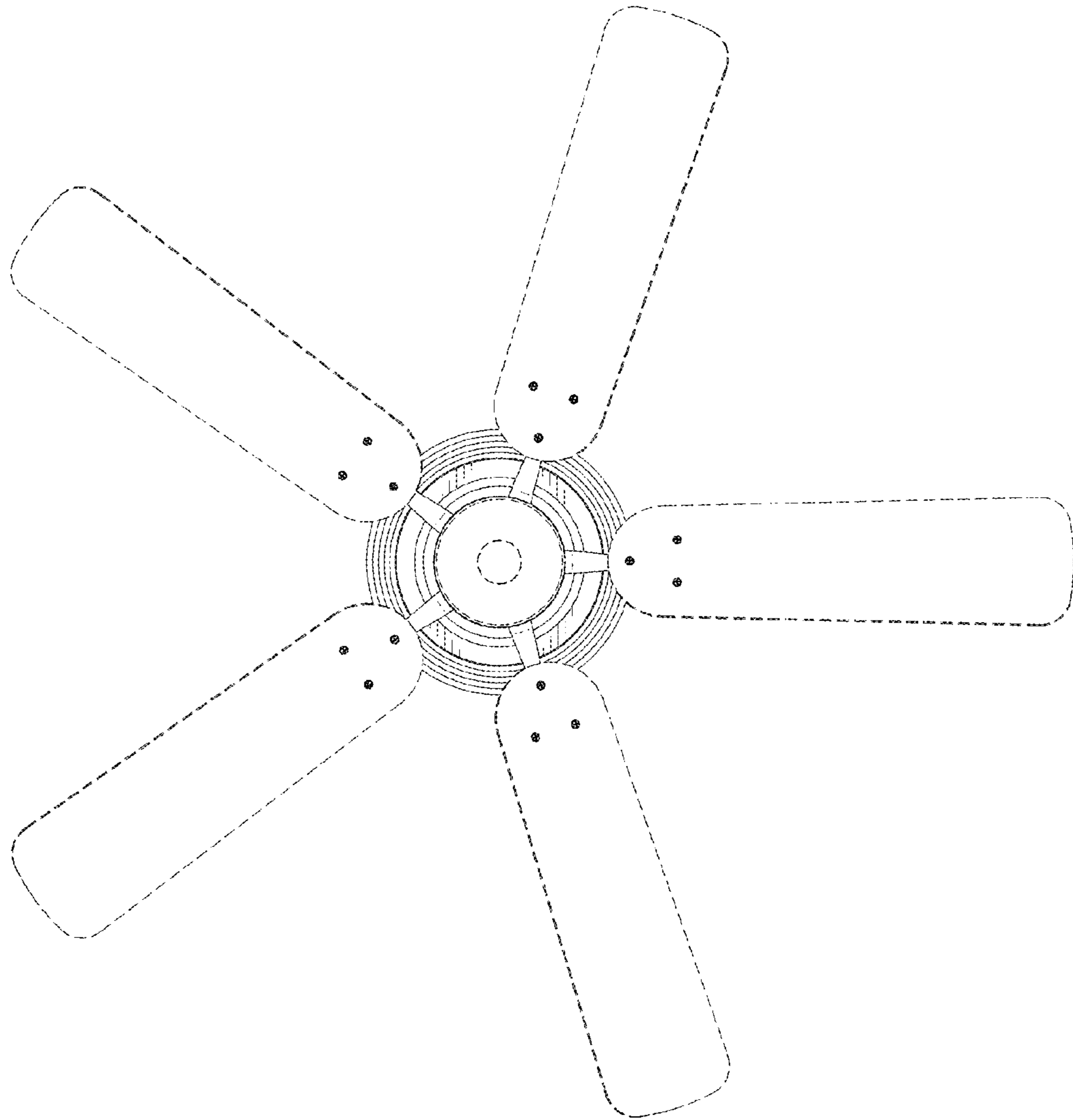


FIG. 6

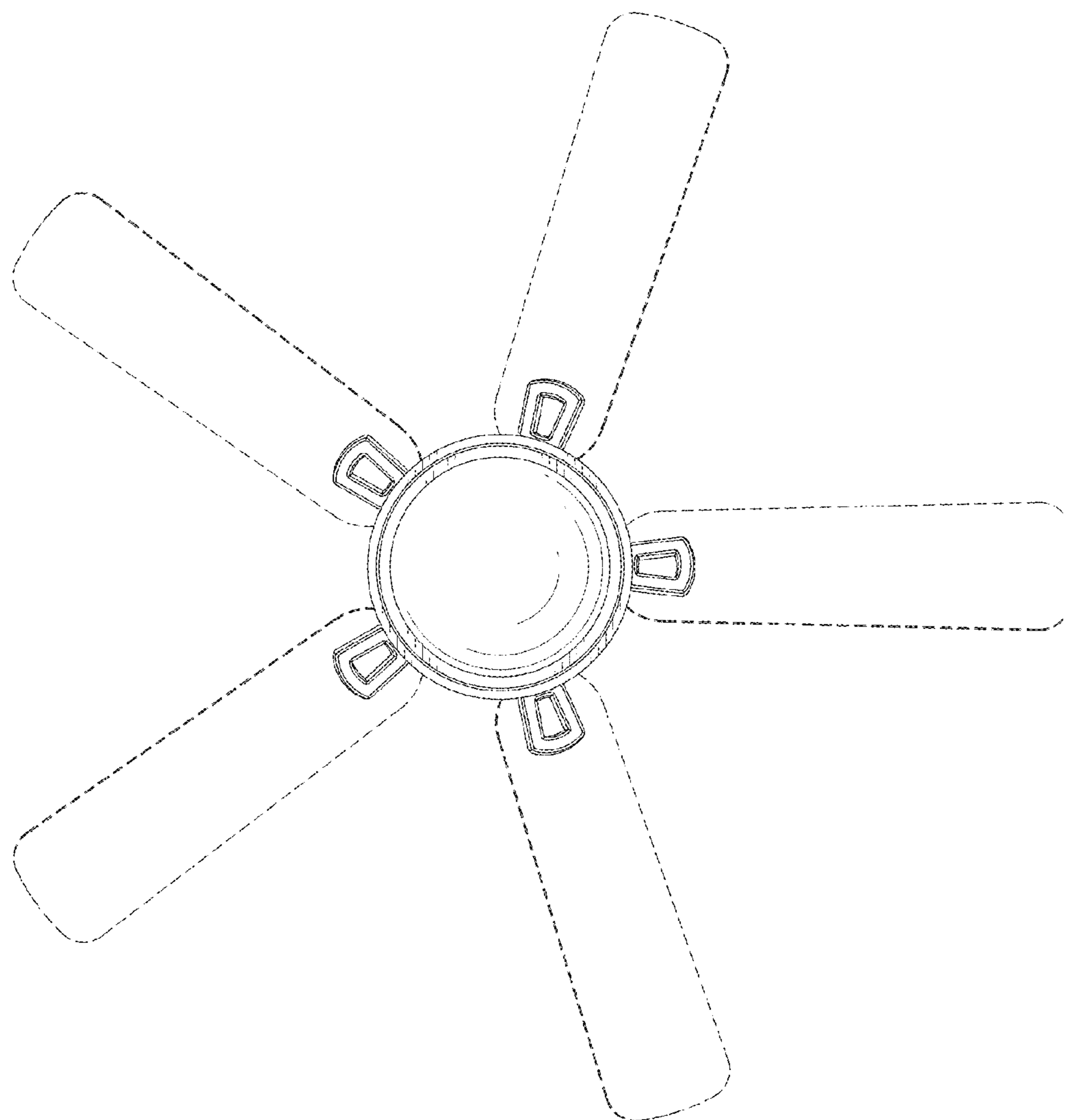


FIG. 7