



US00D708311S

(12) **United States Design Patent**
Platt

(10) **Patent No.:** **US D708,311 S**
(45) **Date of Patent:** **** Jul. 1, 2014**

- (54) **FILTER FRAME**
- (75) Inventor: **Keith Platt**, Snellville, GA (US)
- (73) Assignee: **Diversitech Corporation**, Duluth, GA (US)
- (**) Term: **14 Years**
- (21) Appl. No.: **29/424,319**
- (22) Filed: **Jun. 11, 2012**

- 6,273,938 B1 8/2001 Fanselow et al.
- D449,100 S 10/2001 Sundet et al.
- 6,352,579 B1 3/2002 Hirata et al.
- 6,790,397 B2 * 9/2004 Richerson et al. 55/521
- 6,923,911 B1 * 8/2005 Beier et al. 210/273
- D511,377 S 11/2005 Erwan et al.
- D518,143 S 3/2006 Weidler et al.
- D523,110 S 6/2006 Anderson

(Continued)

Primary Examiner — David Muller
(74) *Attorney, Agent, or Firm* — Smith Gambrell & Russell LLP

Related U.S. Application Data

- (63) Continuation-in-part of application No. 29/404,169, filed on Oct. 17, 2011, now abandoned.
 - (51) **LOC (10) Cl.** **23-04**
 - (52) **U.S. Cl.**
USPC **D23/365**
 - (58) **Field of Classification Search**
USPC D23/365, 209, 363, 358, 386, 354, 341, D23/364; 55/385.3, 502, 497, 506, 505, 55/521, 495, 422, 493, DIG. 30; 210/435, 210/130, 136, 248, 339, 448, 452, 497.1; D15/5
- See application file for complete search history.

(57) **CLAIM**

The ornamental design for a filter frame, as shown and described.

DESCRIPTION

FIG. 1 is a top plan view of a filter frame of the present invention.

FIG. 2 is an enlarged detailed top plan view of a segment of the filter frame.

FIG. 3 is a bottom plan view of the filter frame.

FIG. 4 is an enlarged detailed bottom plan view of a segment of the filter frame.

FIG. 5 is an elevation view of the front of the filter frame, the rear view being identical.

FIG. 6 is a side elevation view of the filter frame, the opposite side view being identical.

FIG. 7 is a top perspective view of the filter frame.

FIG. 8 is an enlarged detailed top perspective view of a segment of the filter frame.

FIG. 9 is an enlarged side elevation view of a segment of the filter frame corresponding to FIG. 6.

FIG. 10 is an enlarged front elevation view of a segment of the filter frame corresponding to FIG. 5; and,

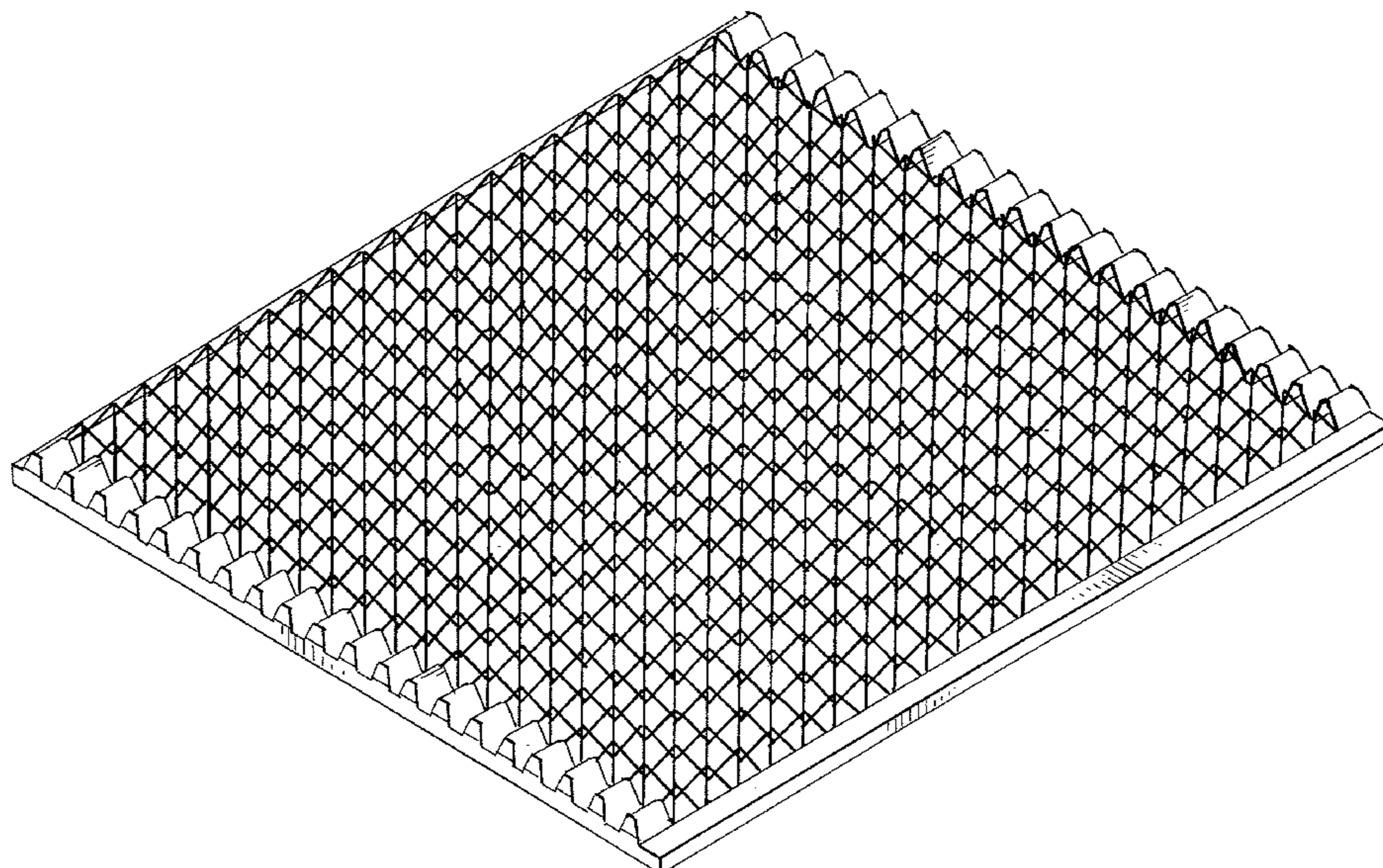
FIG. 11 is an enlarged perspective view of a segment of the filter frame corresponding to FIG. 7.

(56) **References Cited**

U.S. PATENT DOCUMENTS

- 2,653,676 A * 9/1953 Breckheimer 55/521
- 3,793,692 A * 2/1974 Tate et al. 55/501
- 4,920,867 A 5/1990 Joly
- 5,352,274 A * 10/1994 Blakley 55/521
- 5,505,603 A 4/1996 Baracchi et al.
- 5,512,172 A 4/1996 Marble
- 5,782,944 A * 7/1998 Justice 55/495
- D397,777 S 9/1998 Mack, Jr.
- 5,810,898 A 9/1998 Miller
- 5,891,402 A * 4/1999 Sassa et al. 55/521
- 6,071,419 A * 6/2000 Beier et al. 210/767

1 Claim, 7 Drawing Sheets



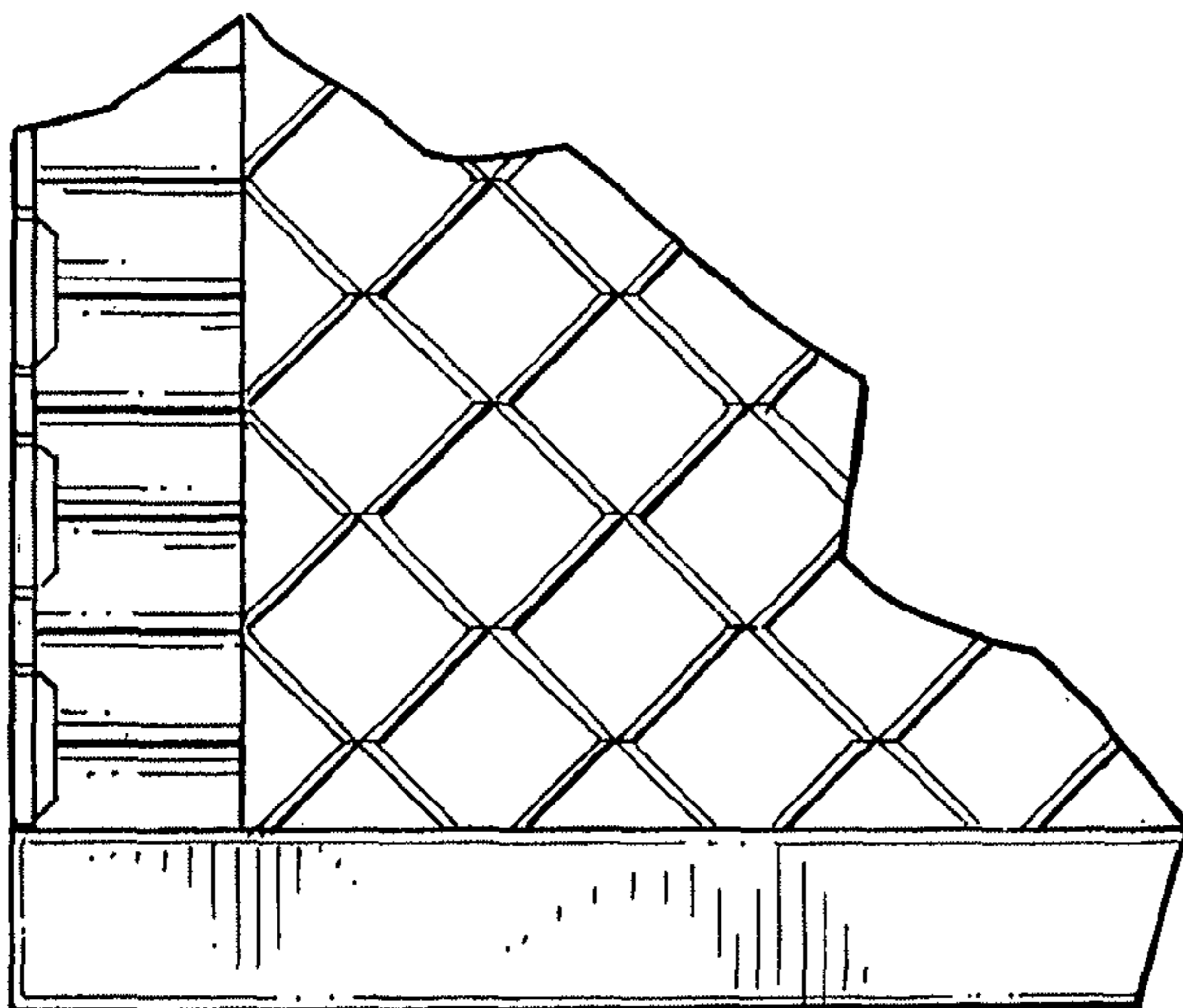
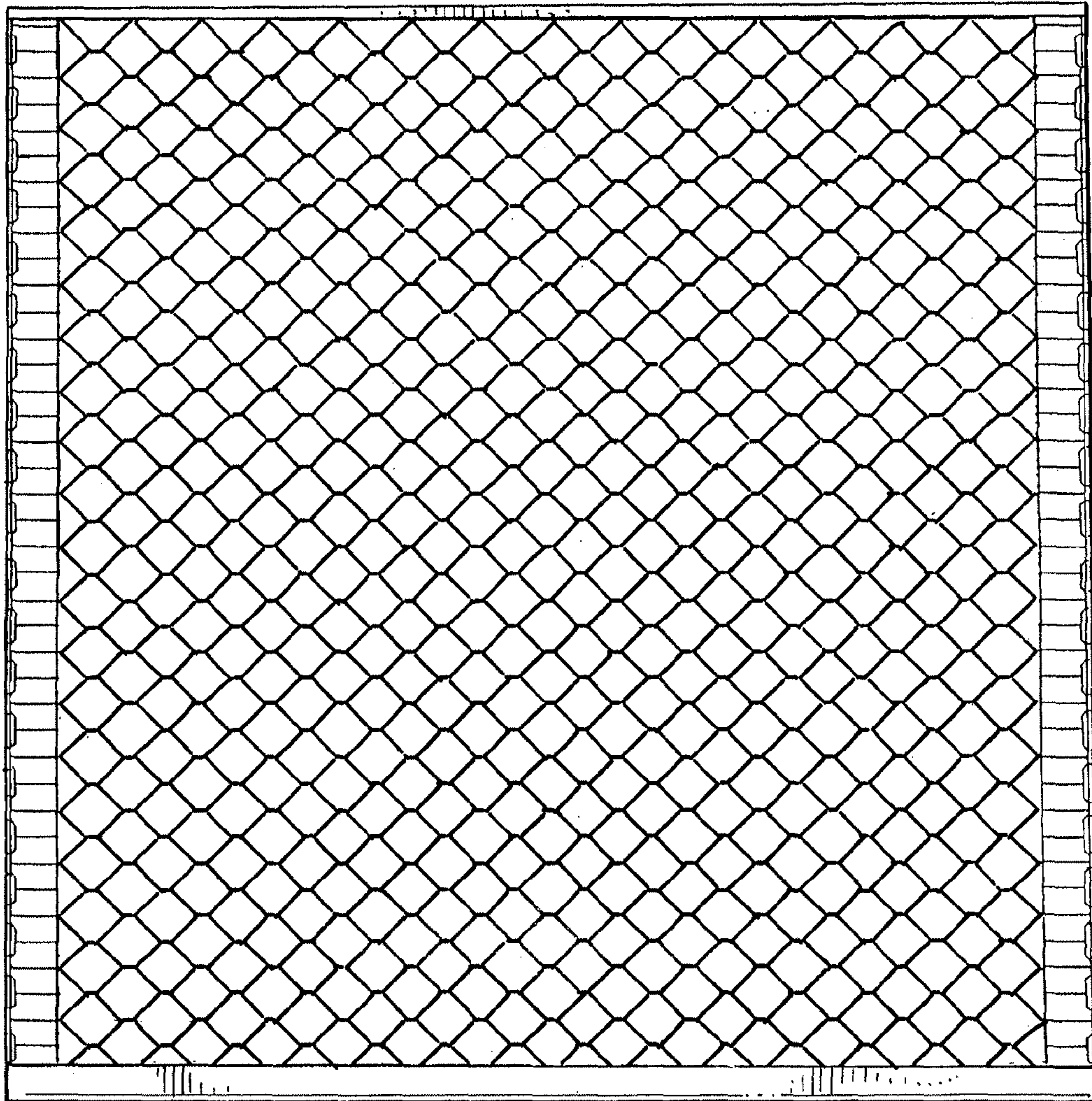
(56)

References Cited

U.S. PATENT DOCUMENTS

D548,826 S *	8/2007	Katta	D23/364	D667,943 S *	9/2012	Pantano	D23/364
D571,608 S *	6/2008	Yeung	D7/388	2001/0032545 A1	10/2001	Goto et al.	
D599,465 S *	9/2009	Mitchell	D23/388	2002/0089084 A1	7/2002	Kandel	
7,771,517 B2	8/2010	Dralle		2004/0088958 A1*	5/2004	Richerson et al.	55/521
D628,267 S	11/2010	Dittmann et al.		2005/0138906 A1	6/2005	Kubokawa et al.	
D628,673 S	12/2010	Dittmann et al.		2006/0249443 A1	11/2006	Chilton et al.	
D628,674 S	12/2010	Dittmann et al.		2007/0271887 A1	11/2007	Osborne et al.	
D634,413 S	3/2011	Wallace		2007/0289274 A1	12/2007	Justice et al.	
				2008/0203614 A1	8/2008	Holzmann et al.	
				2008/0276805 A1	11/2008	Lotgerink-Bruinenberg	

* cited by examiner



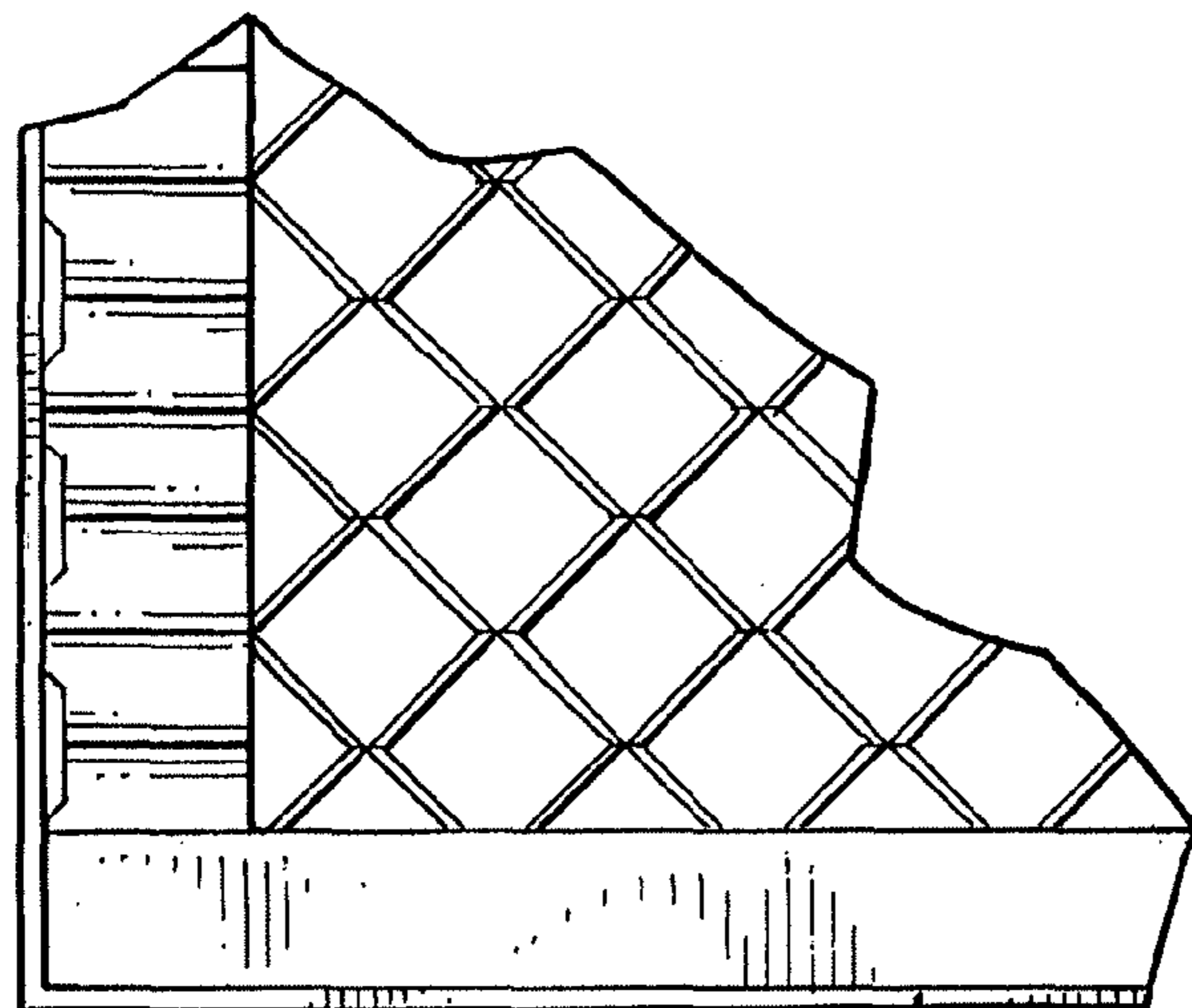
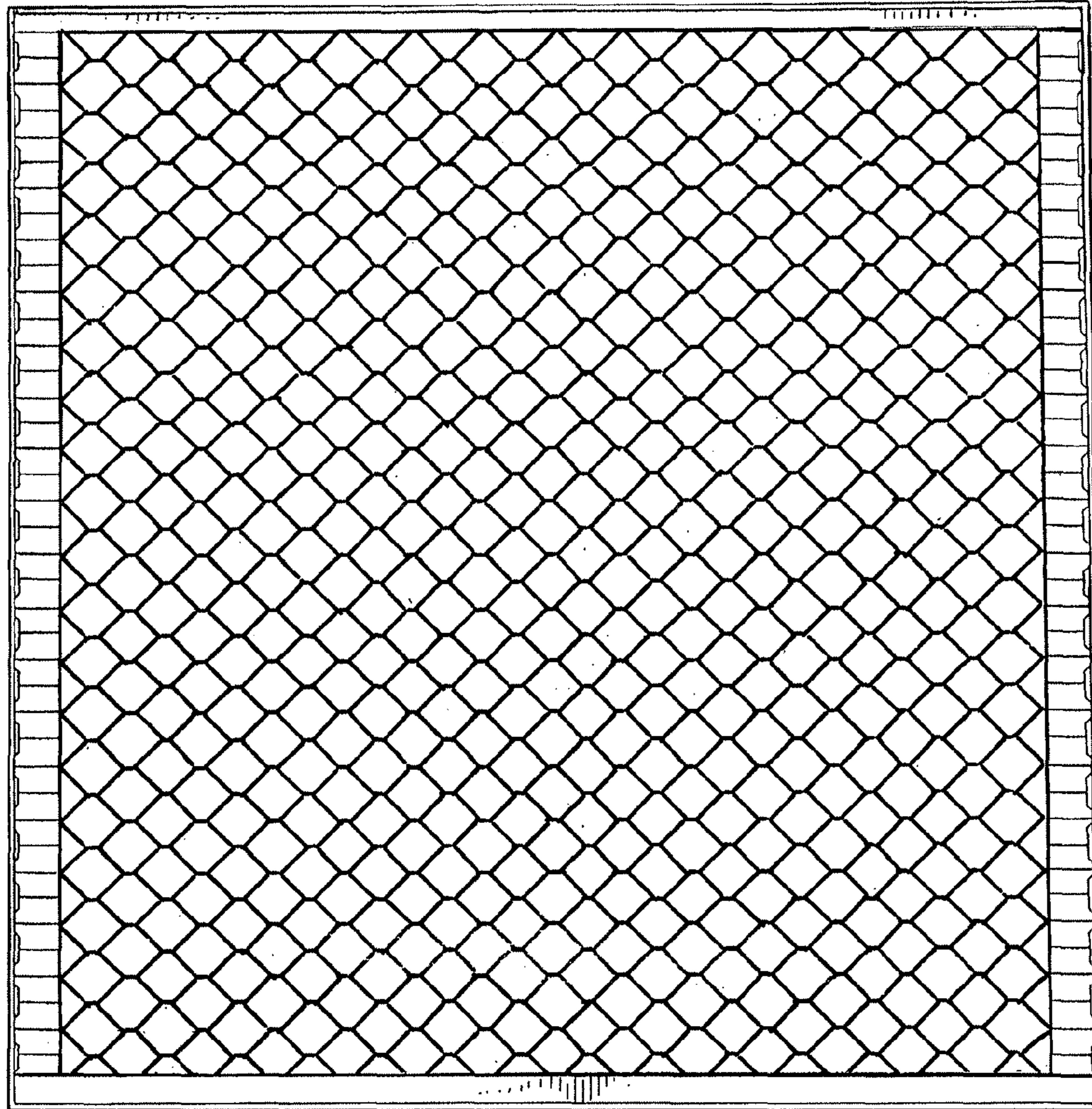


Fig. 3

Fig. 4



Fig. 5

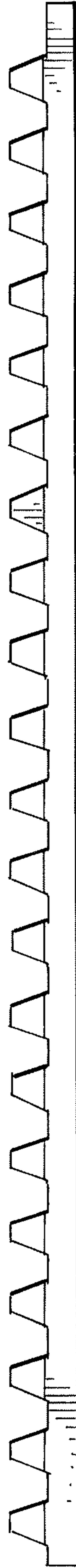


Fig. 6

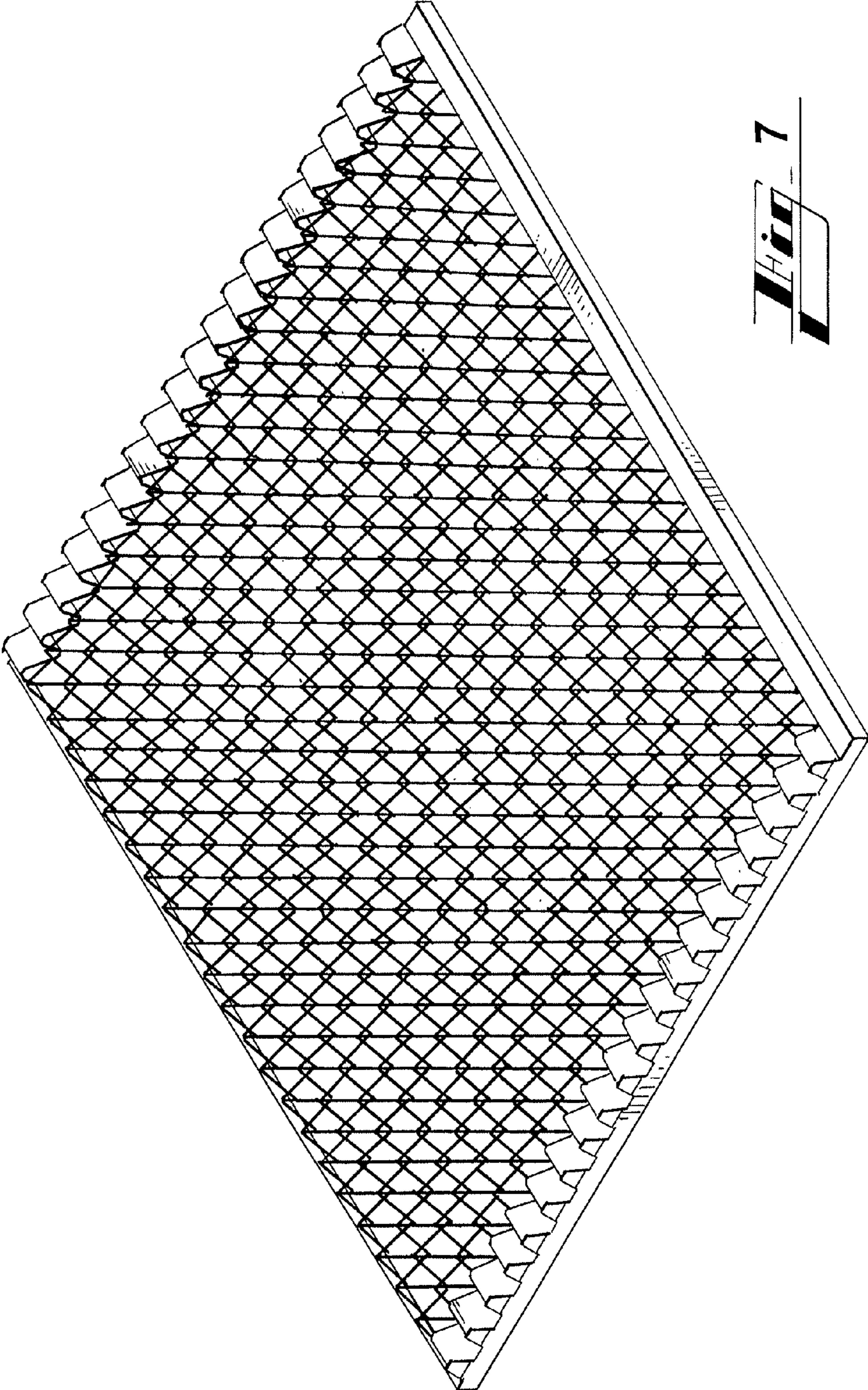
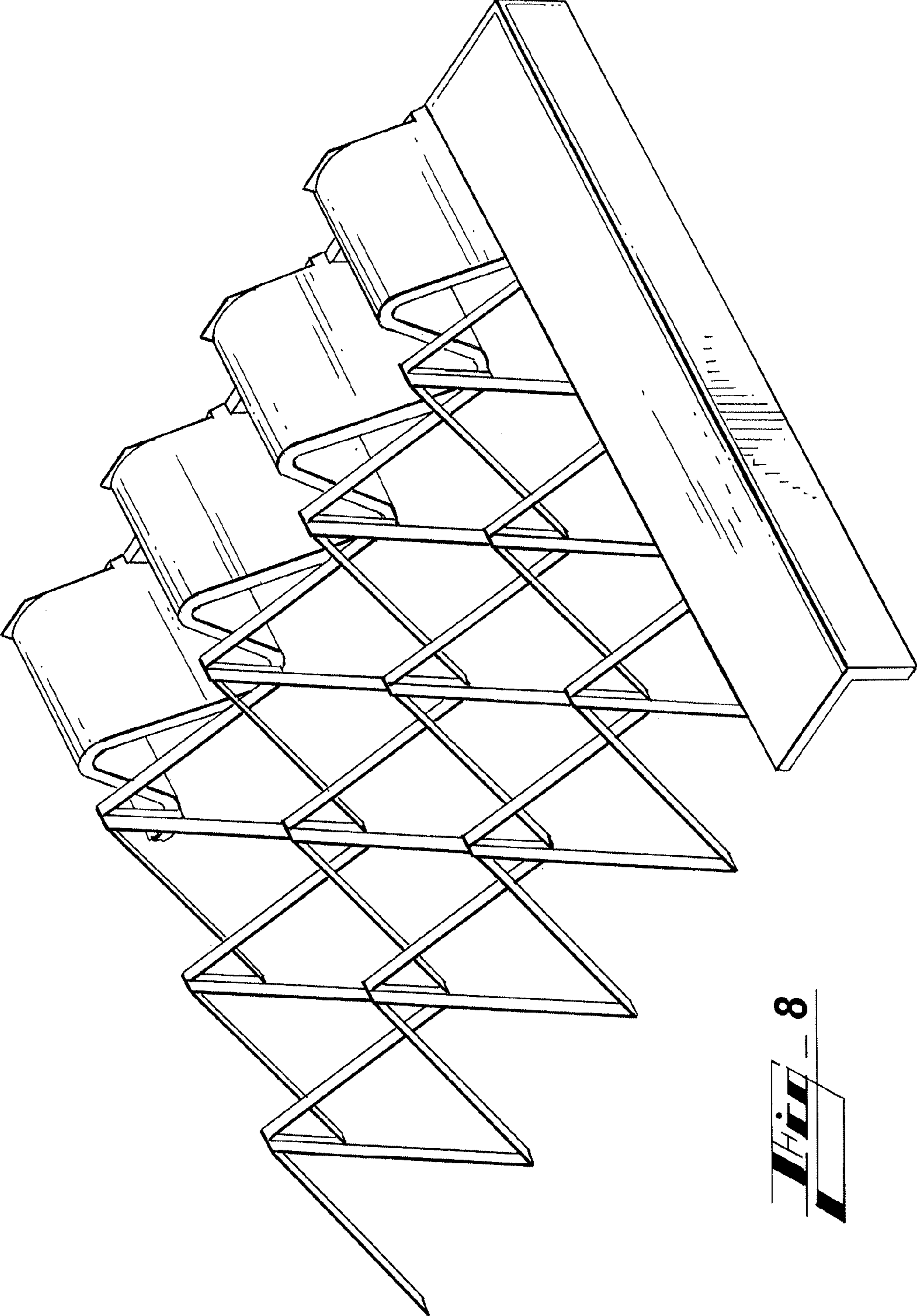


Fig. 7



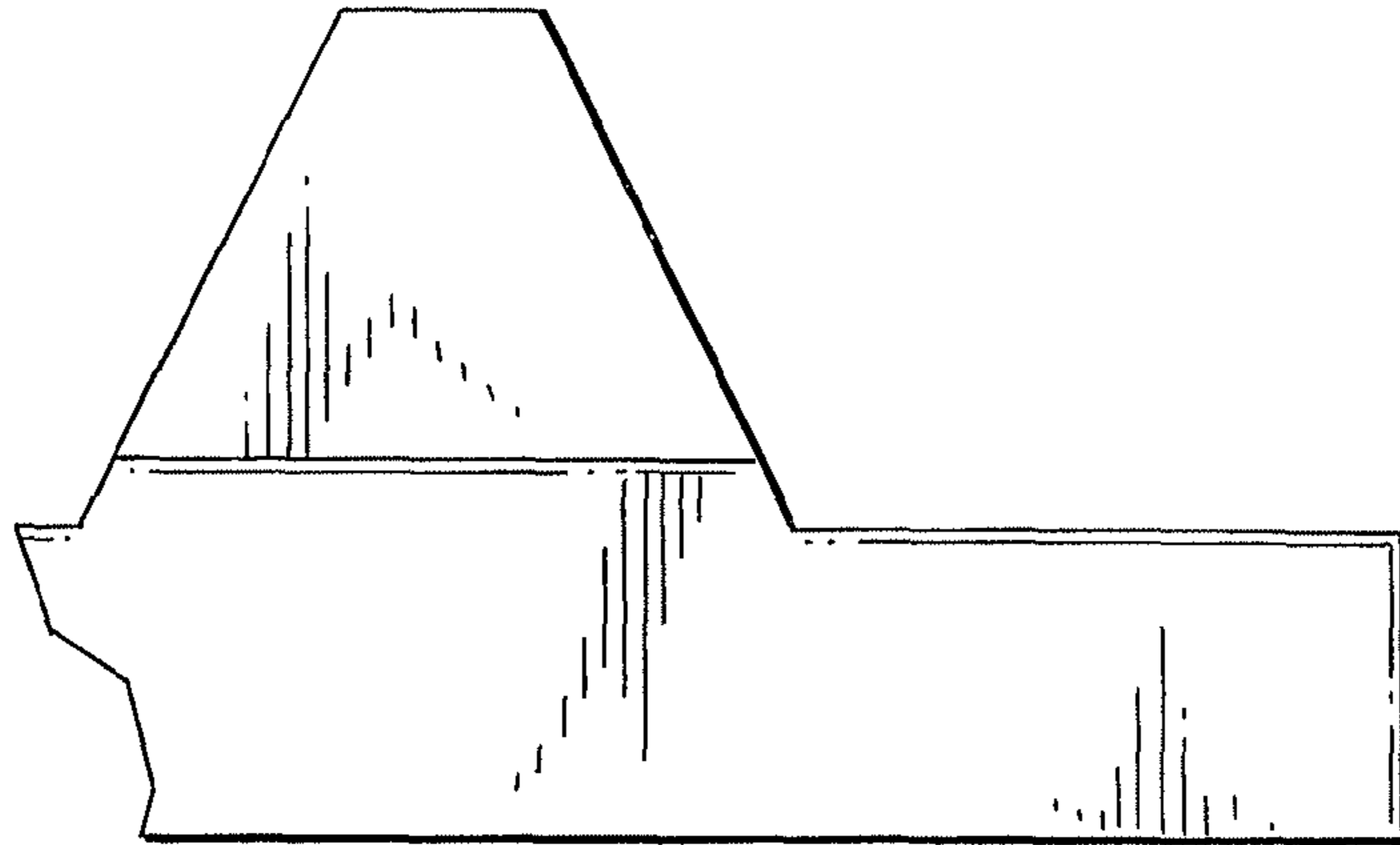


Fig. 9

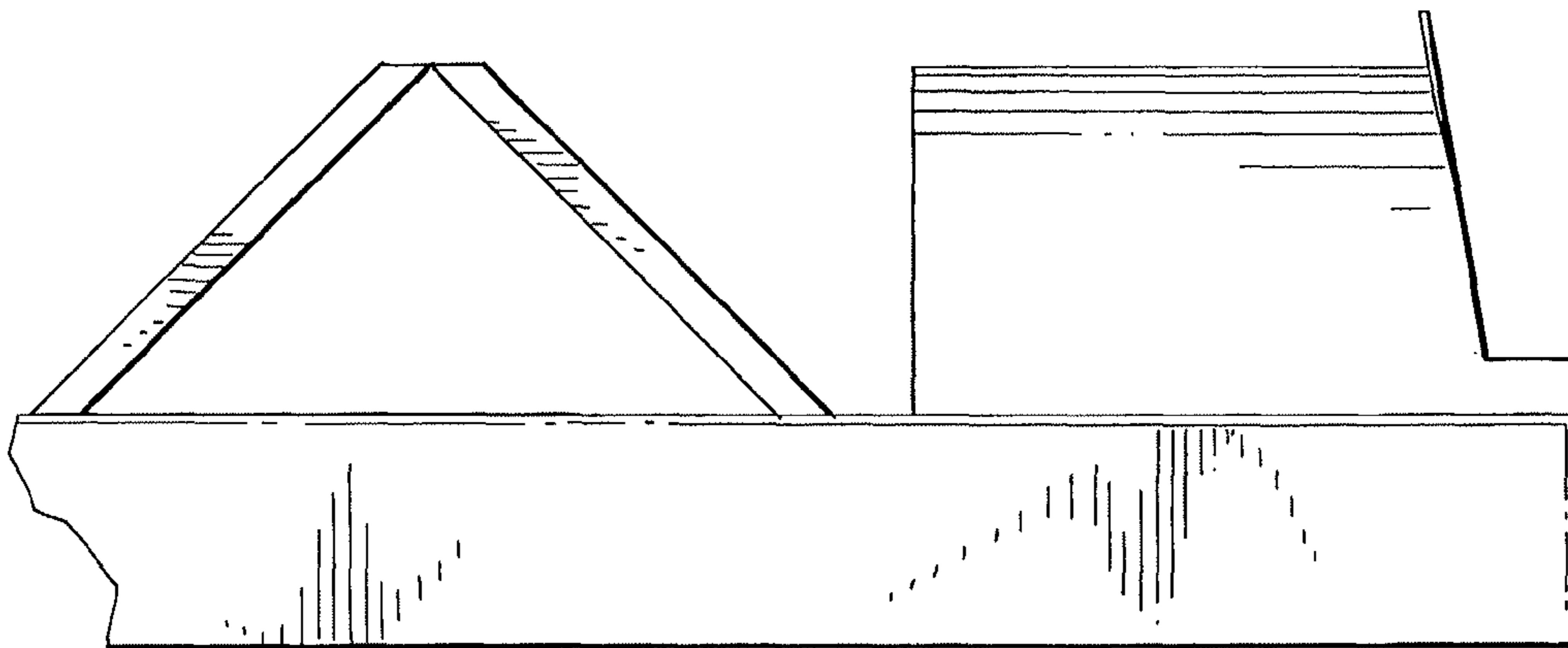


Fig. 10

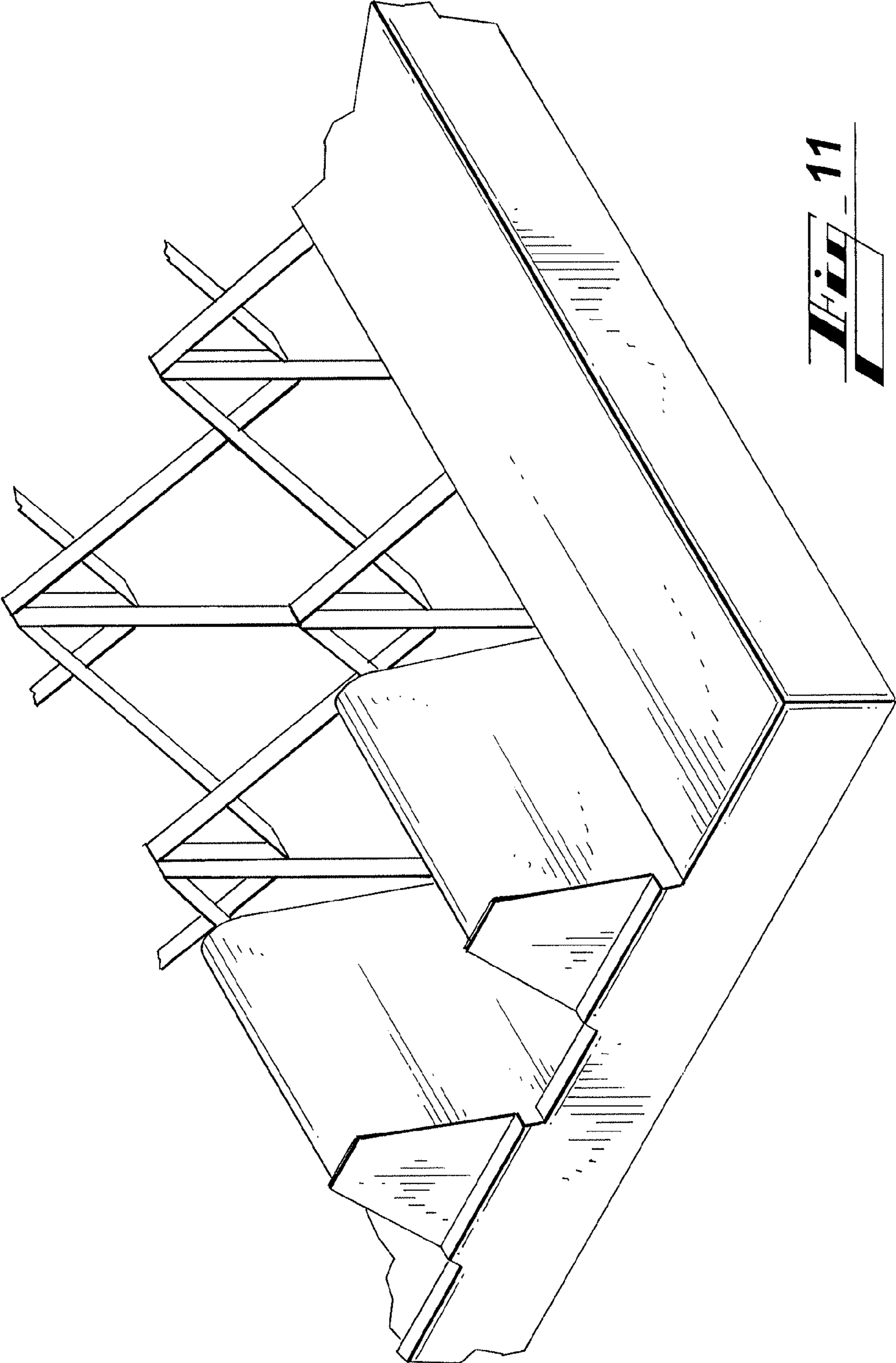


Fig. 11