



US00D708310S

(12) **United States Design Patent**
Rowland

(10) **Patent No.:** **US D708,310 S**

(45) **Date of Patent:** **** Jul. 1, 2014**

(54) **FOLDABLE TODDLER POTTY**

(71) Applicant: **Cora Rowland**, Orland Park, IL (US)

(72) Inventor: **Cora Rowland**, Orland Park, IL (US)

(**) Term: **14 Years**

(21) Appl. No.: **29/468,981**

(22) Filed: **Oct. 4, 2013**

(51) **LOC (10) Cl.** **23-02**

(52) **U.S. Cl.**
USPC **D23/296**

(58) **Field of Classification Search**
CPC A47K 11/04
USPC D23/296, 303, 309, 311; 4/312, 902,
4/483

See application file for complete search history.

(56) **References Cited**

U.S. PATENT DOCUMENTS

5,161,263 A * 11/1992 Geneve et al. 4/483
D340,512 S * 10/1993 Geneve et al. D23/296

6,684,418 B2 * 2/2004 Choi 4/483
D520,616 S * 5/2006 Sharp D23/303
D620,089 S * 7/2010 Elliot et al. D23/299

* cited by examiner

Primary Examiner — Robert Delehanty

(74) *Attorney, Agent, or Firm* — Hiram Peacock

(57) **CLAIM**

I claim the ornamental design for a foldable toddler potty, as shown and described.

DESCRIPTION

FIG. 1 is a perspective view of the foldable toddler potty in its unfolded position.

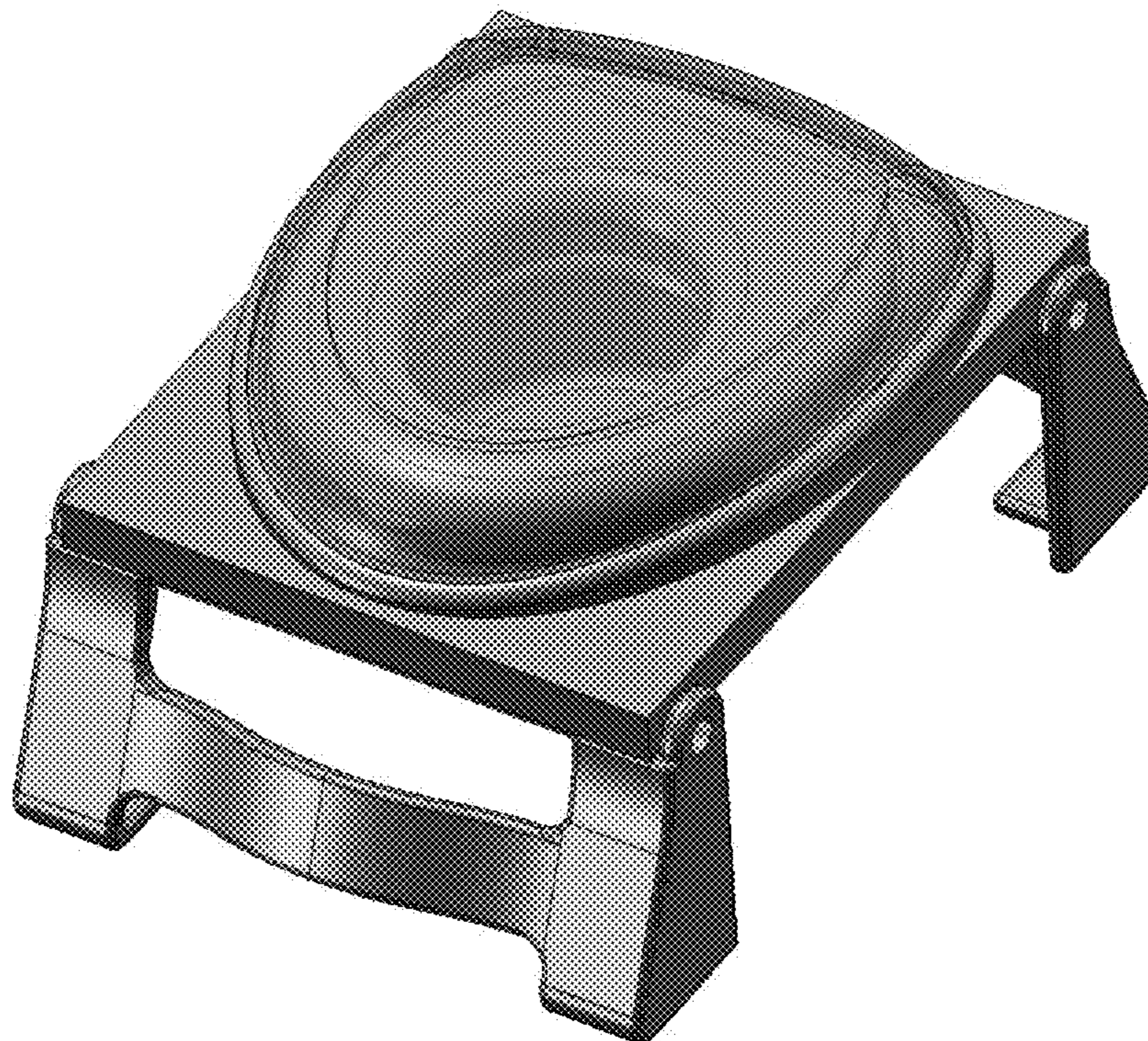
FIG. 2 is a side elevation view of the foldable toddler potty in its unfolded position, the opposing side view being a mirror image of the view shown.

FIG. 3 is a perspective view of the foldable toddler potty in its folded position; and,

FIG. 4 is a side elevation view of the foldable toddler potty in its folded position, the opposing side view being a mirror image of the view shown.

A foldable and portable potty characterized by curved supports between the legs.

1 Claim, 4 Drawing Sheets



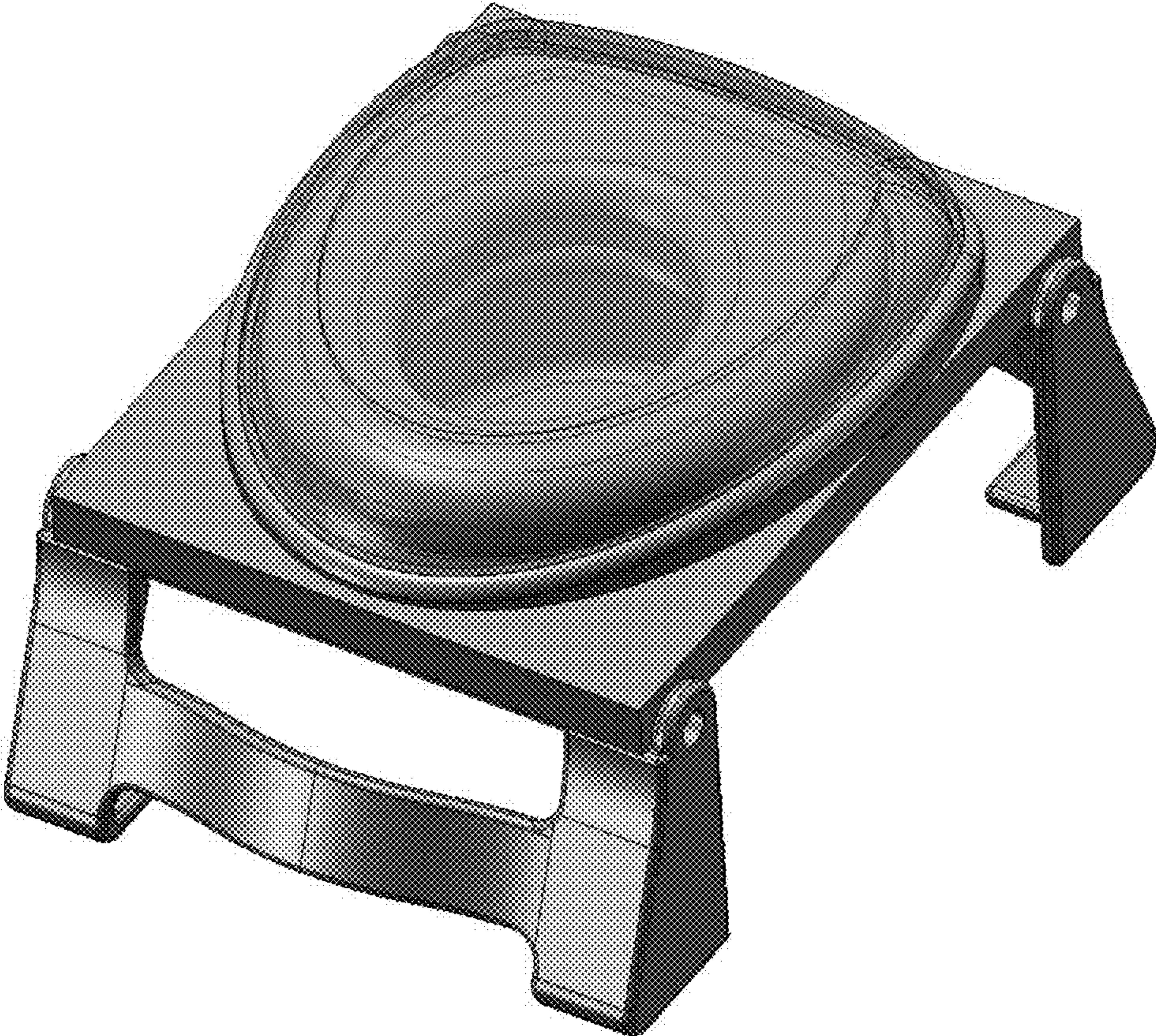


FIG. 1

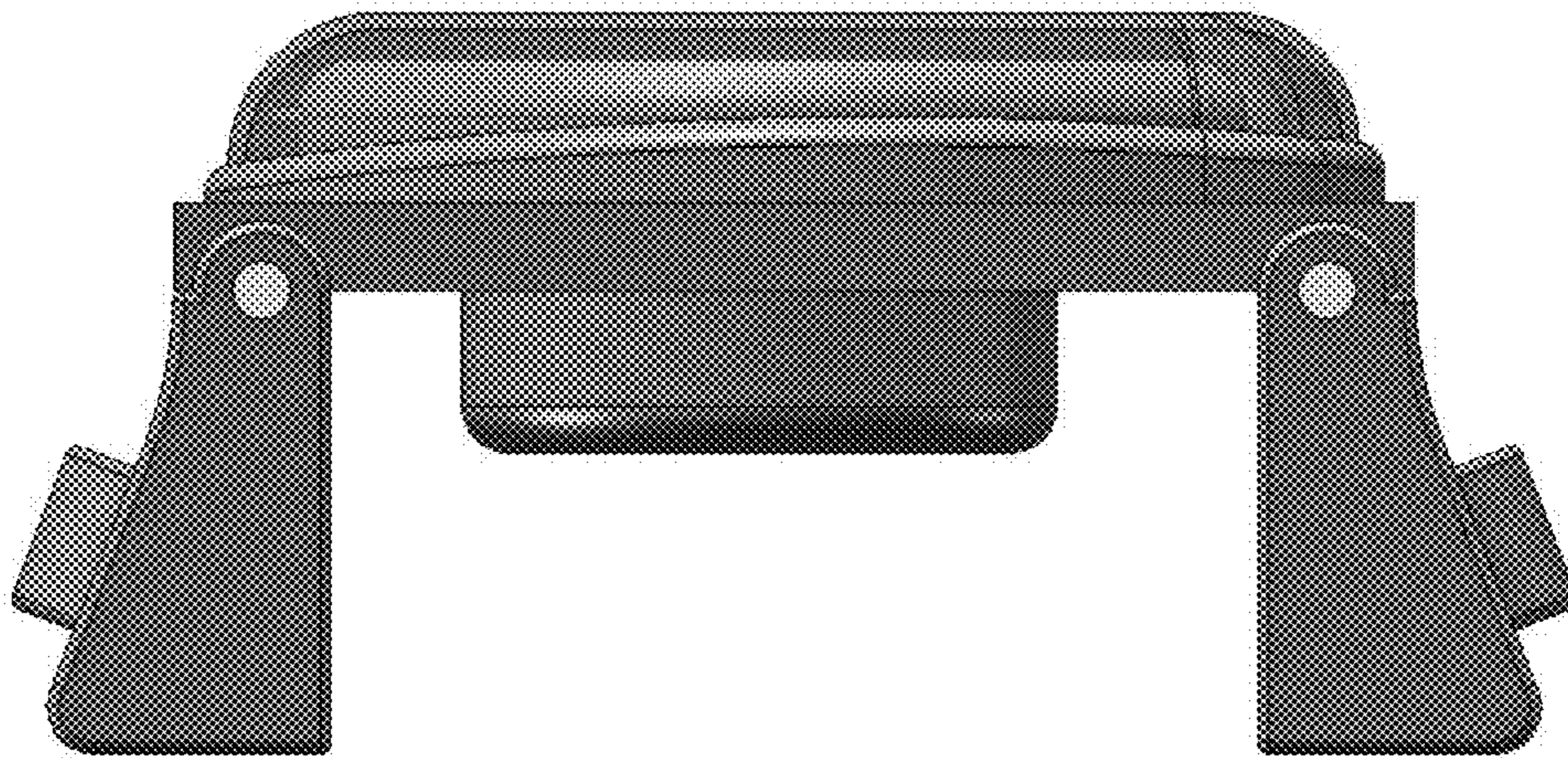


FIG. 2

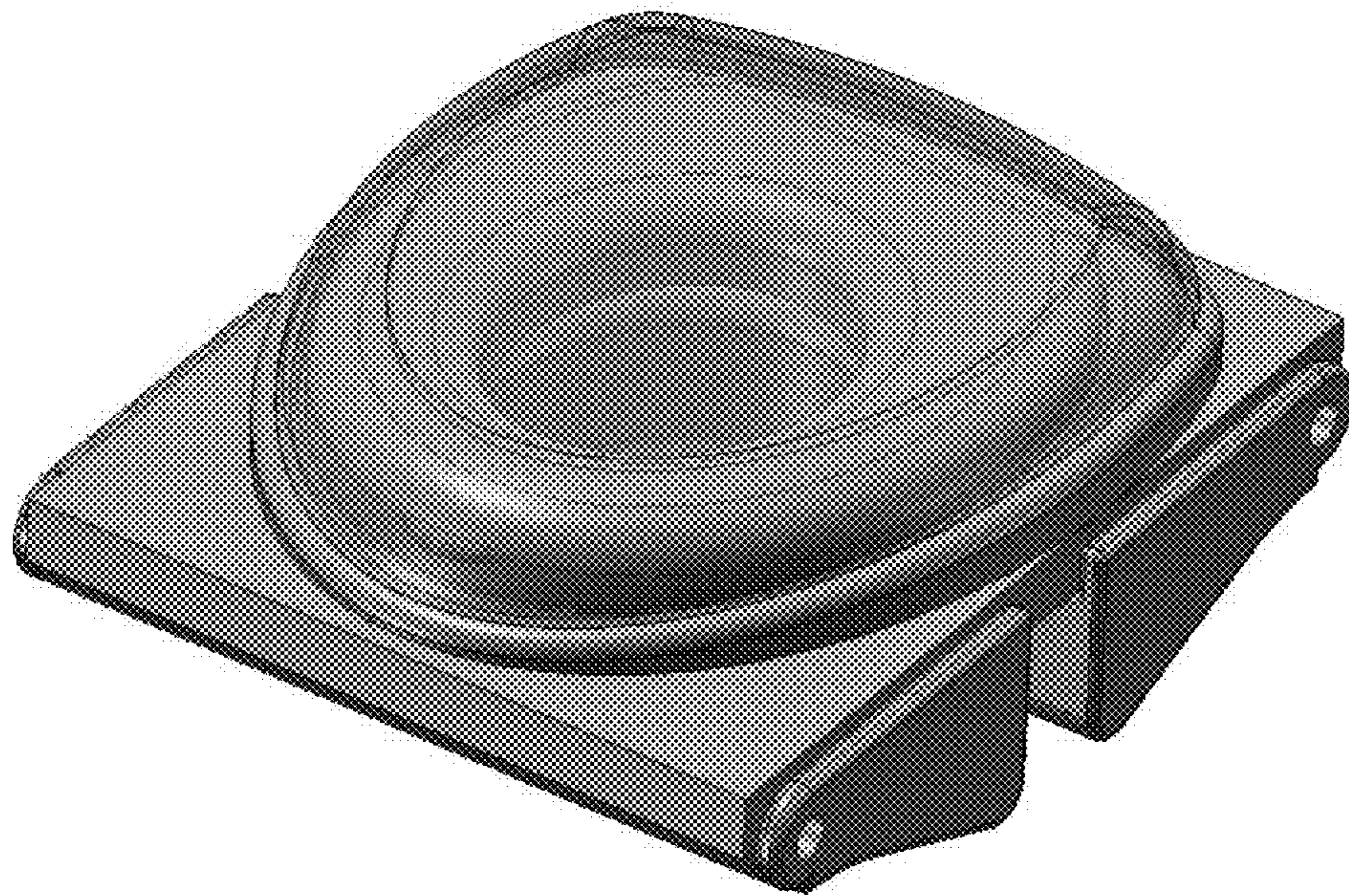


FIG. 3

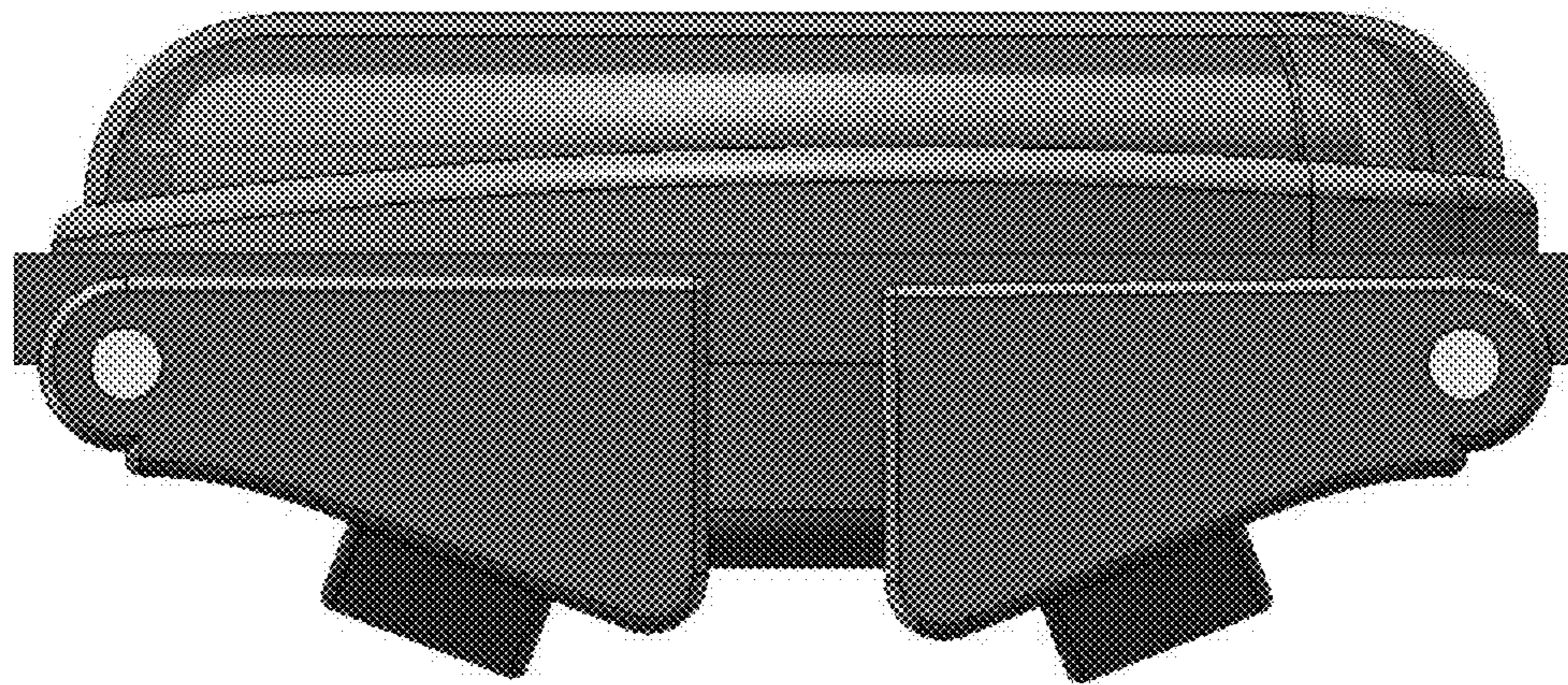


FIG. 4