



US00D708309S

(12) **United States Design Patent**  
**Kurth et al.**

(10) **Patent No.:** **US D708,309 S**  
(45) **Date of Patent:** **\*\* Jul. 1, 2014**

- (54) **SINK**
- (71) Applicant: **Bilt, LLC**, San Francisco, CA (US)
- (72) Inventors: **Mark Kurth**, Beverly Shores, IN (US);  
**Timothy Payne**, Chicago, IL (US)
- (73) Assignee: **Bilt, LLC**, San Francisco, CA (US)
- (\*\*) Term: **14 Years**
- (21) Appl. No.: **29/465,555**
- (22) Filed: **Aug. 29, 2013**
- (51) **LOC (10) Cl.** ..... **23-02**
- (52) **U.S. Cl.**  
USPC ..... **D23/293.1**
- (58) **Field of Classification Search**  
USPC ..... D23/284, 293.1, 292, 303, 308; 4/619  
See application file for complete search history.

- (56) **References Cited**  
U.S. PATENT DOCUMENTS  
D508,555 S \* 8/2005 Ziemann ..... D23/293.1  
\* cited by examiner

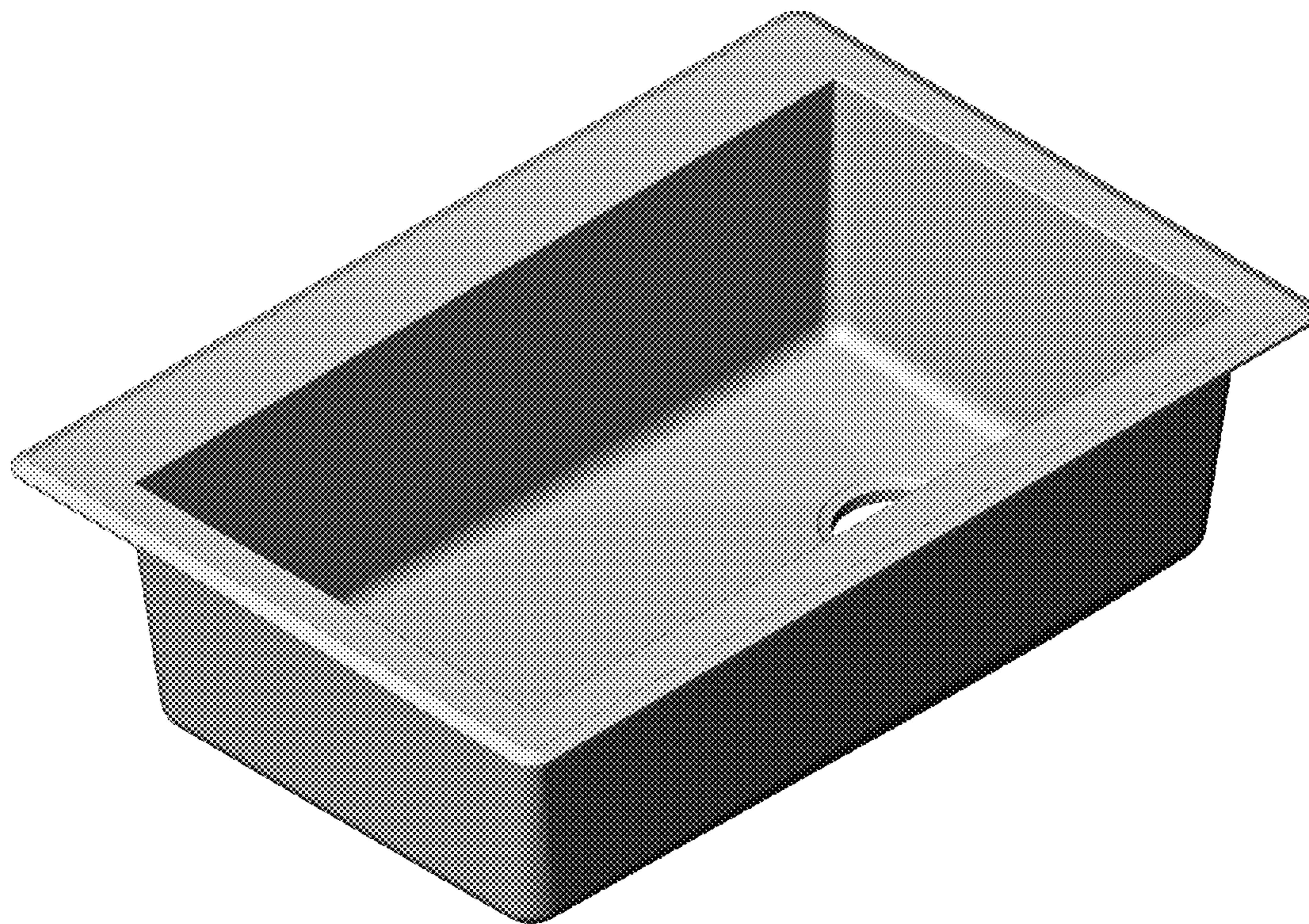
*Primary Examiner* — Robert Delehanty  
(74) *Attorney, Agent, or Firm* — Thompson Coburn LLP

(57) **CLAIM**  
The ornamental design for a sink, as shown and described.

**DESCRIPTION**

FIG. 1 is a top view of our new design for a sink.  
FIG. 2 is a front view of our new design for a sink.  
FIG. 3 is a right side view of our new design for a sink.  
FIG. 4 is a bottom view of our new design for a sink.  
FIG. 5 is a perspective view showing the front, top, and right side views of our new design for a sink; and,  
FIG. 6 is a perspective view showing the top, front, and left side views of our new design for a sink.

**1 Claim, 3 Drawing Sheets**



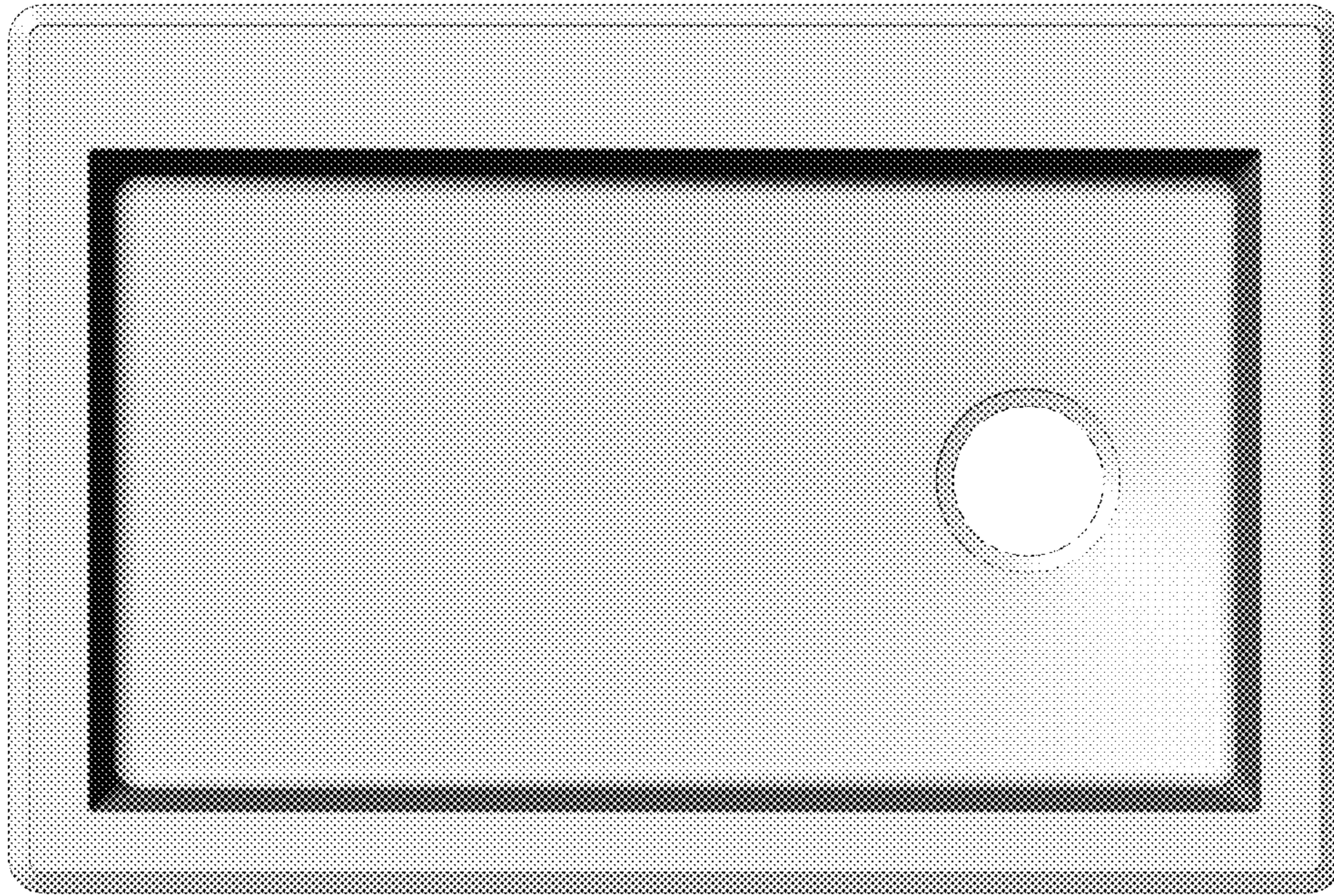


FIG. 1

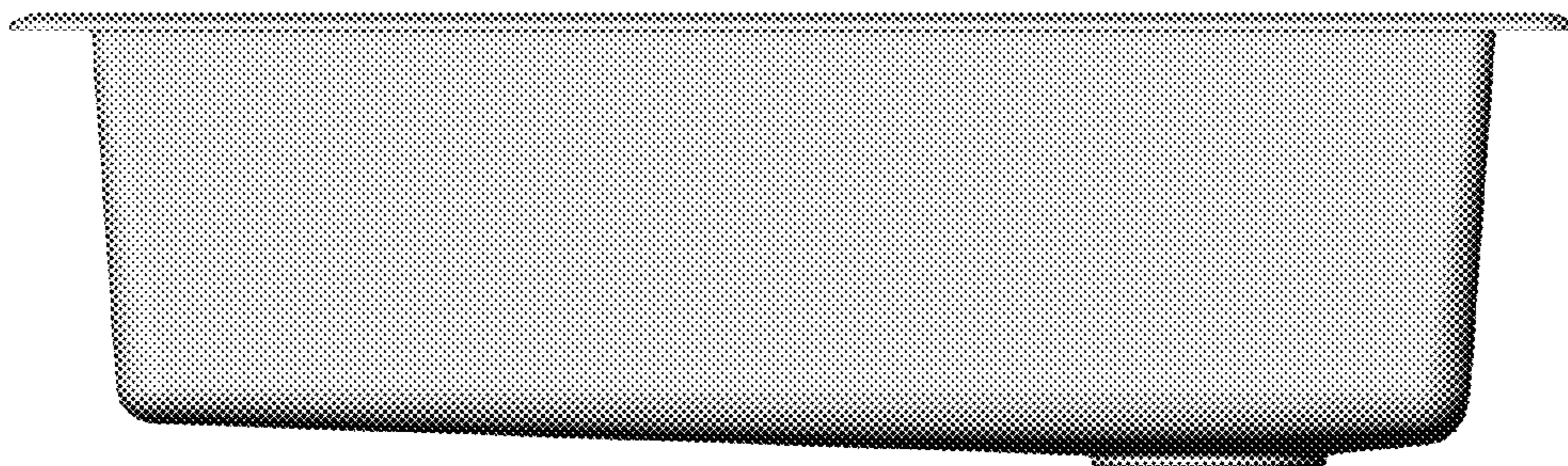


FIG. 2

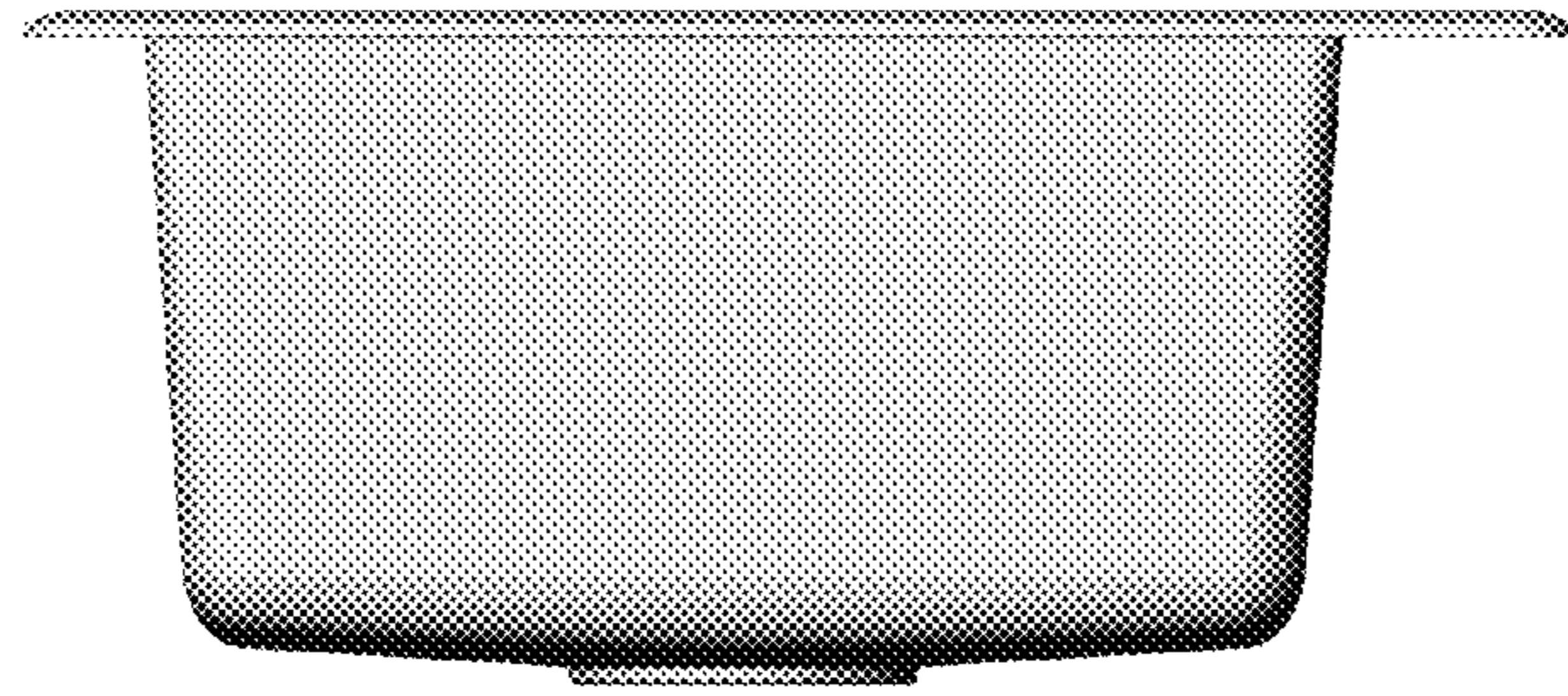


FIG. 3

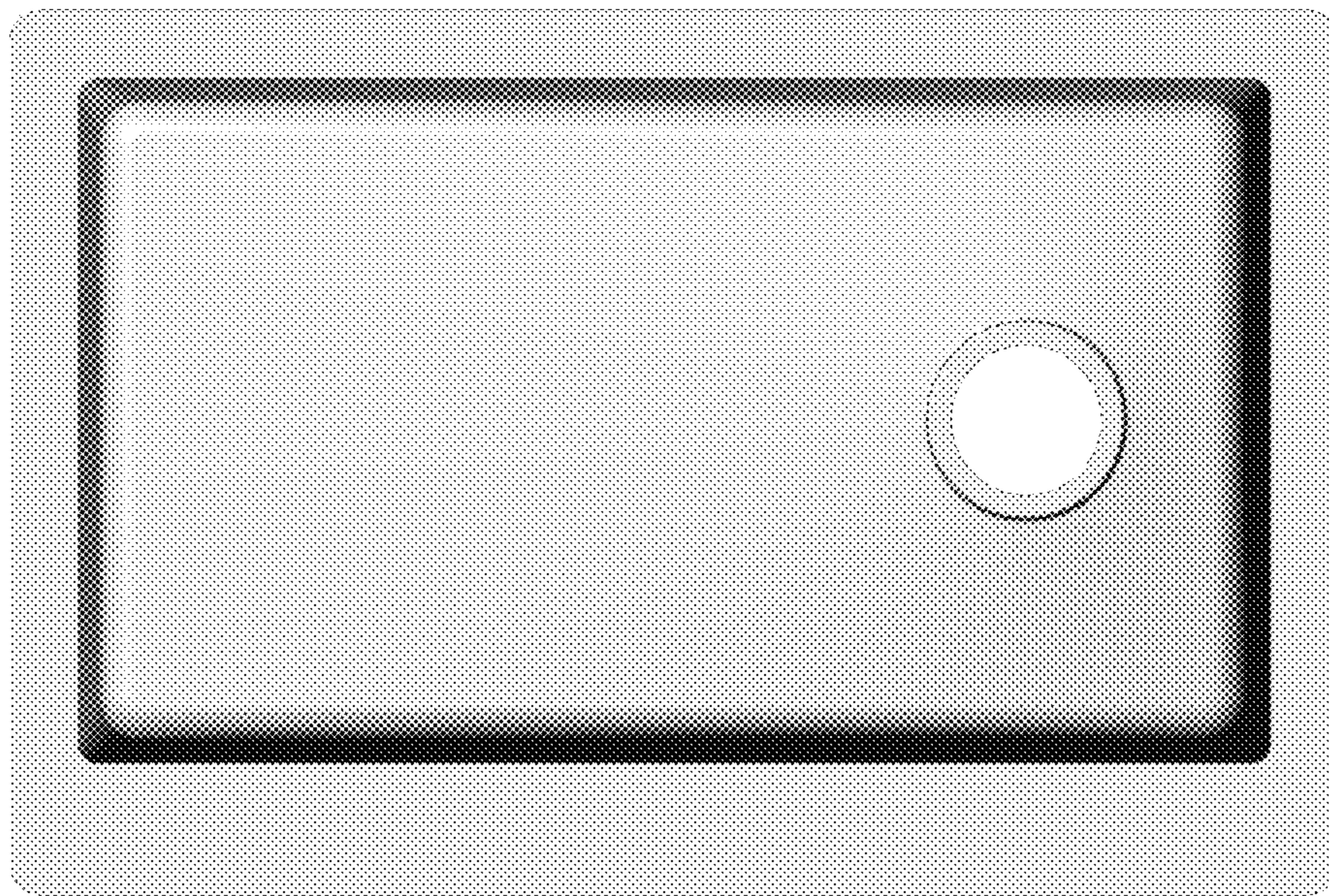


FIG. 4

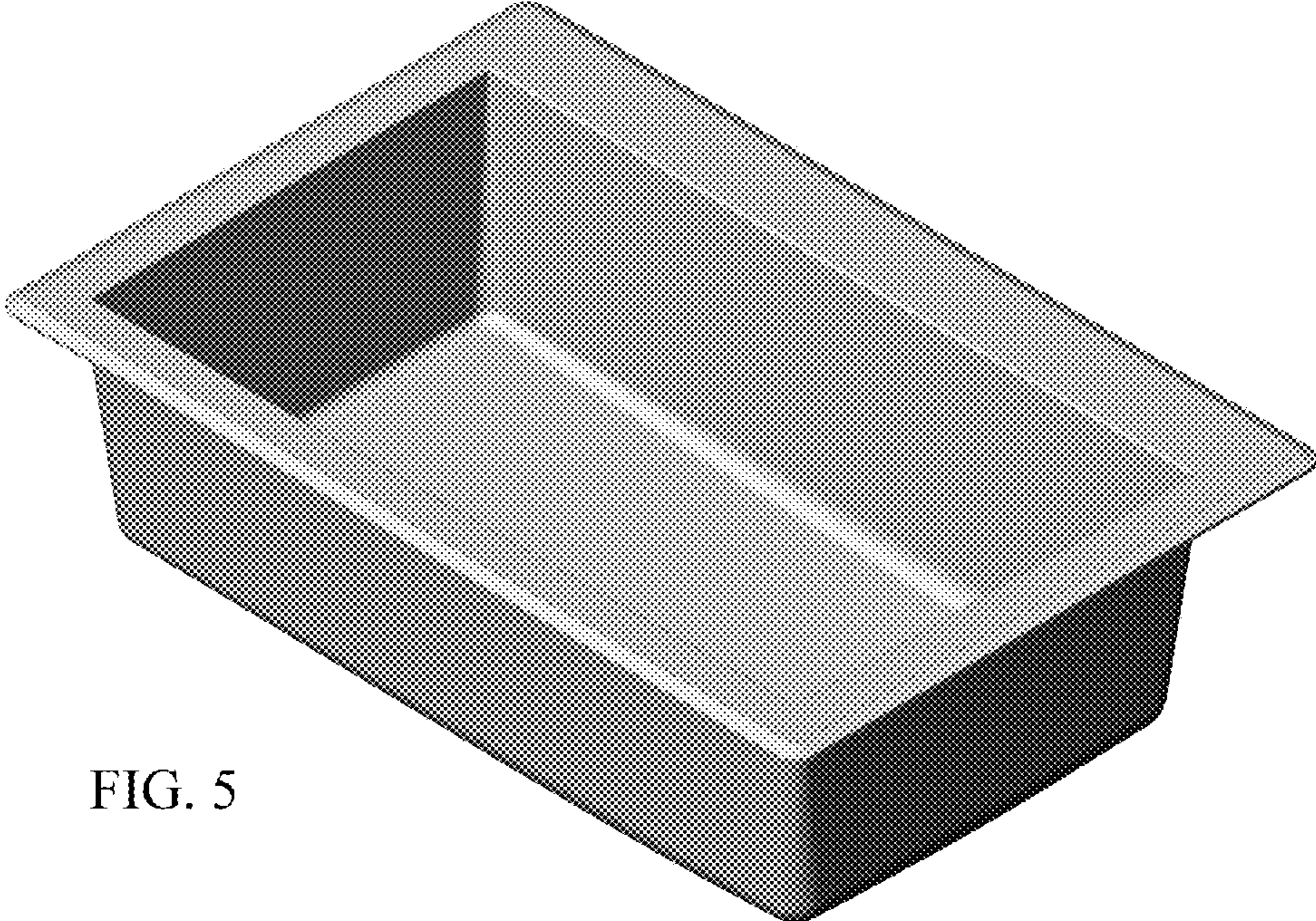


FIG. 5

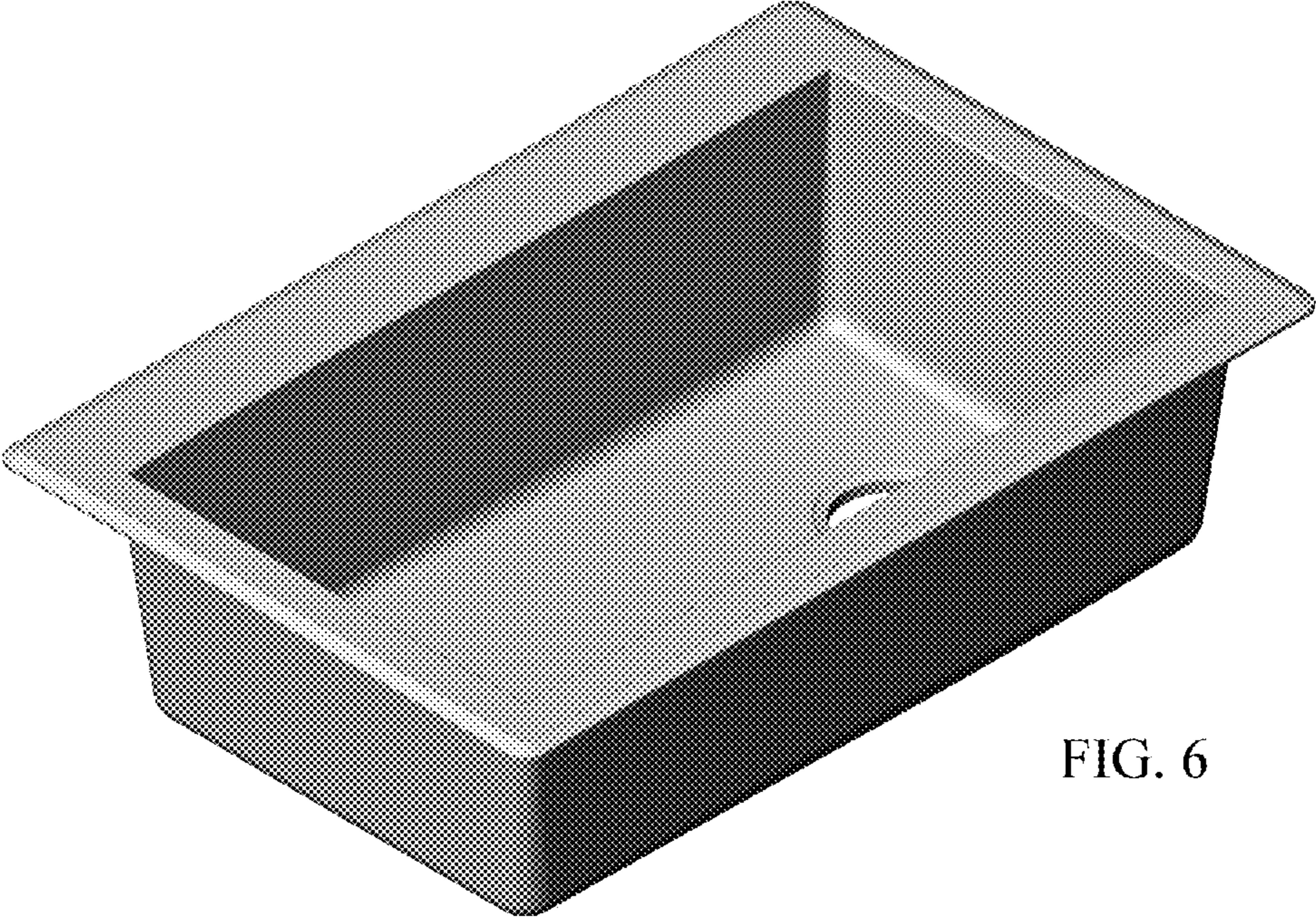


FIG. 6