



US00D708308S

(12) **United States Design Patent**
Kurth et al.

(10) **Patent No.:** **US D708,308 S**

(45) **Date of Patent:** **** Jul. 1, 2014**

(54) **SINK**

(71) Applicant: **Bilt, LLC**, San Francisco, CA (US)

(72) Inventors: **Mark Kurth**, Beverly Shores, IN (US);
Timothy Payne, Chicago, IL (US)

(73) Assignee: **Bilt, LLC**, San Francisco, CA (US)

(**) Term: **14 Years**

(21) Appl. No.: **29/465,560**

(22) Filed: **Aug. 29, 2013**

(51) **LOC (10) Cl.** **23-02**

(52) **U.S. Cl.**
USPC **D23/290**

(58) **Field of Classification Search**
USPC D23/284, 293.1, 292, 303, 308, 290;
4/619, 639-64

See application file for complete search history.

(56) **References Cited**

U.S. PATENT DOCUMENTS

D295,068 S *	4/1988	Kohler et al.	D23/290
D469,169 S *	1/2003	Roberts	D23/290
D634,826 S *	3/2011	Booth	D23/290
D646,364 S *	10/2011	Parekh	D23/290

* cited by examiner

Primary Examiner — Robert Delehanty

(74) *Attorney, Agent, or Firm* — Thompson Coburn LLP

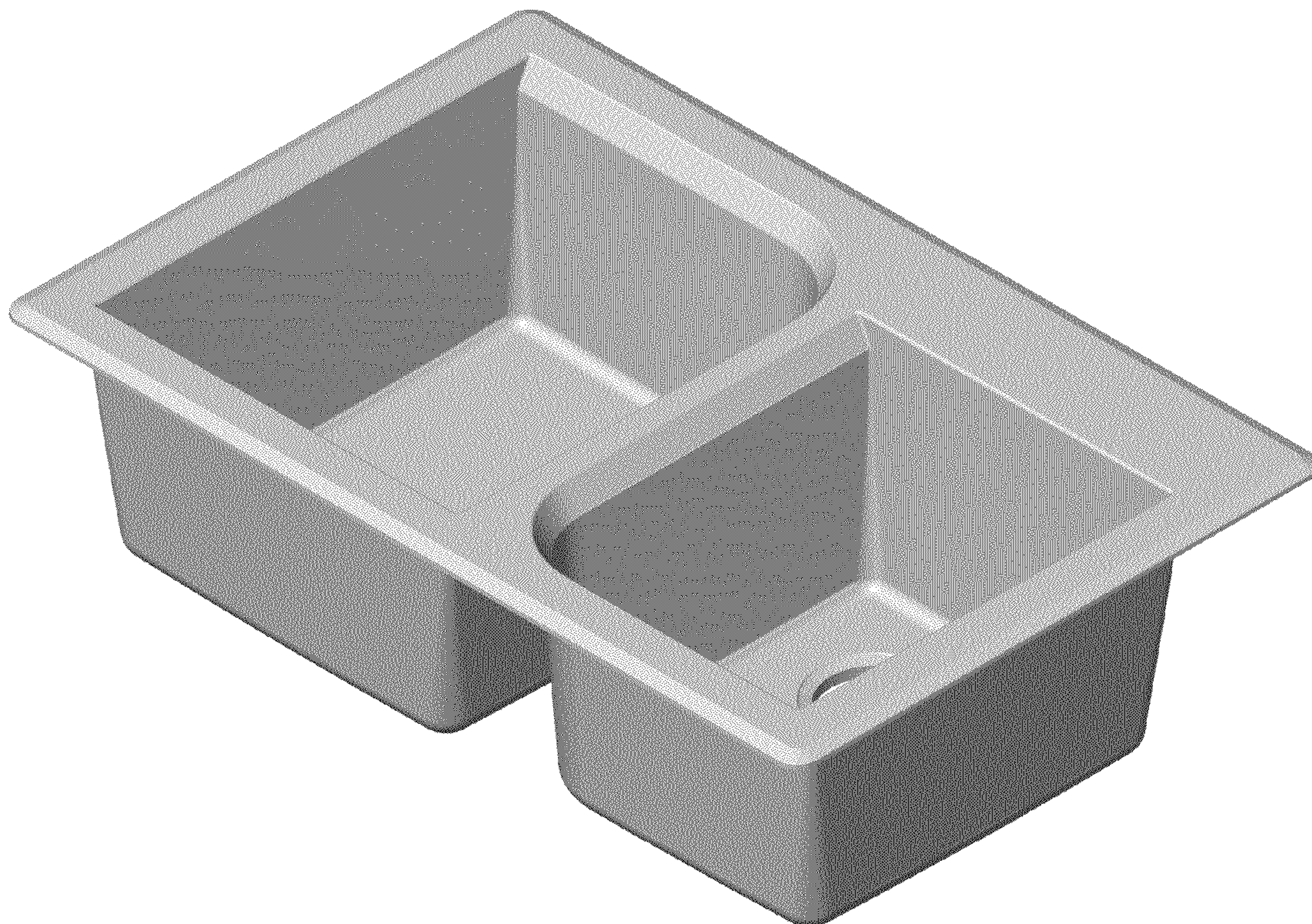
(57) **CLAIM**

The ornamental design for a sink, as shown and described.

DESCRIPTION

FIG. 1 is a top view of our new design for a sink.
FIG. 2 is a front view of our new design for a sink.
FIG. 3 is a right side view of our new design for a sink.
FIG. 4 is a bottom view of our new design for a sink.
FIG. 5 is a perspective view showing the front, top, and right side views of our new design for a sink; and,
FIG. 6 is a perspective view showing the top, front, and left side views of our new design for a sink.

1 Claim, 3 Drawing Sheets



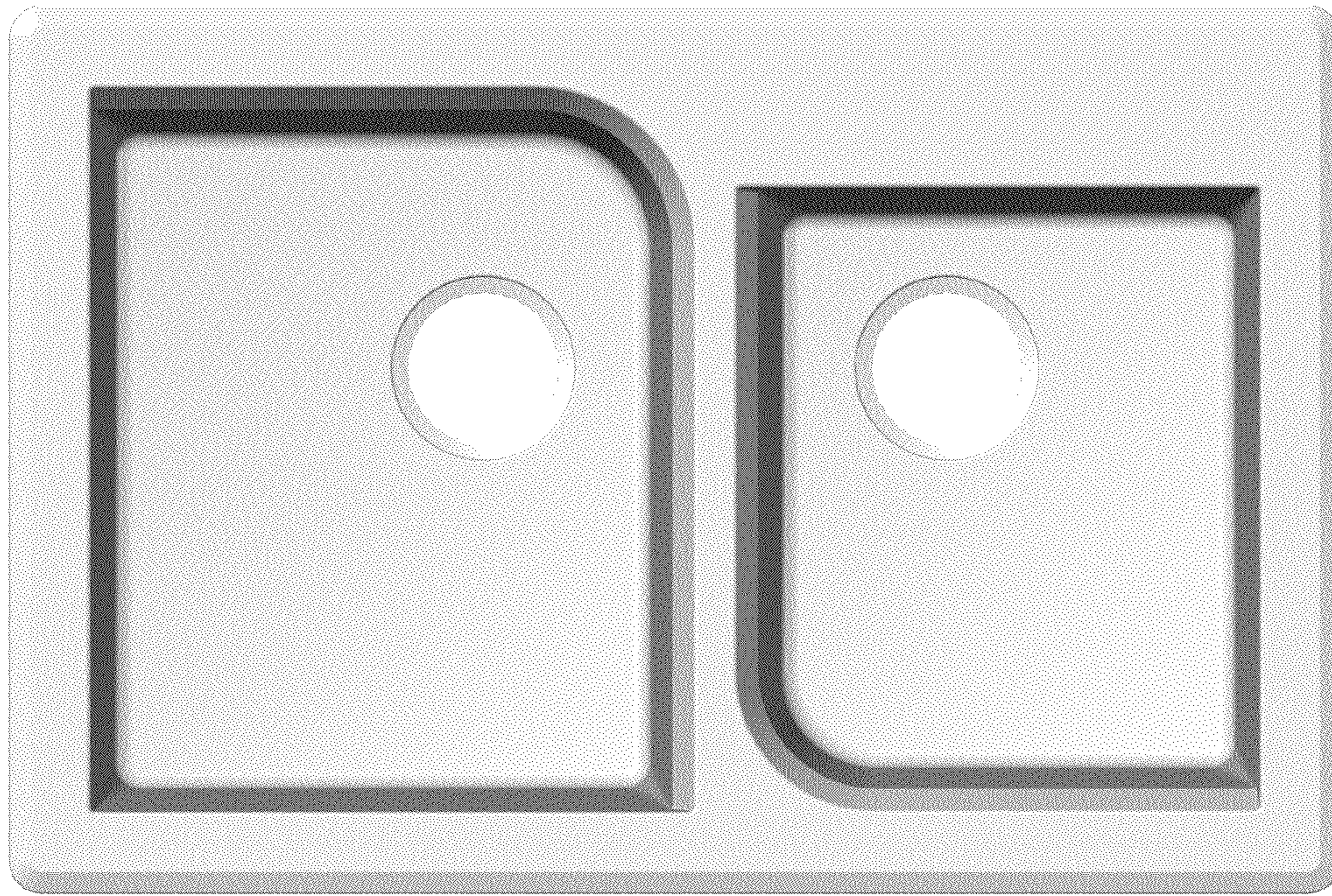


FIG. 1

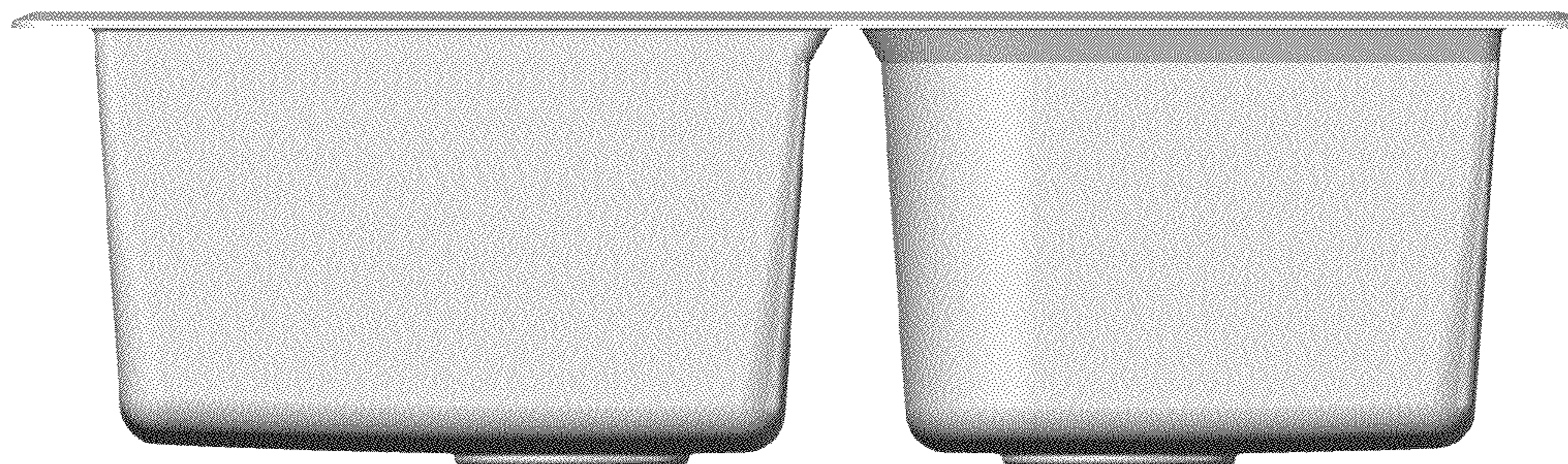


FIG. 2

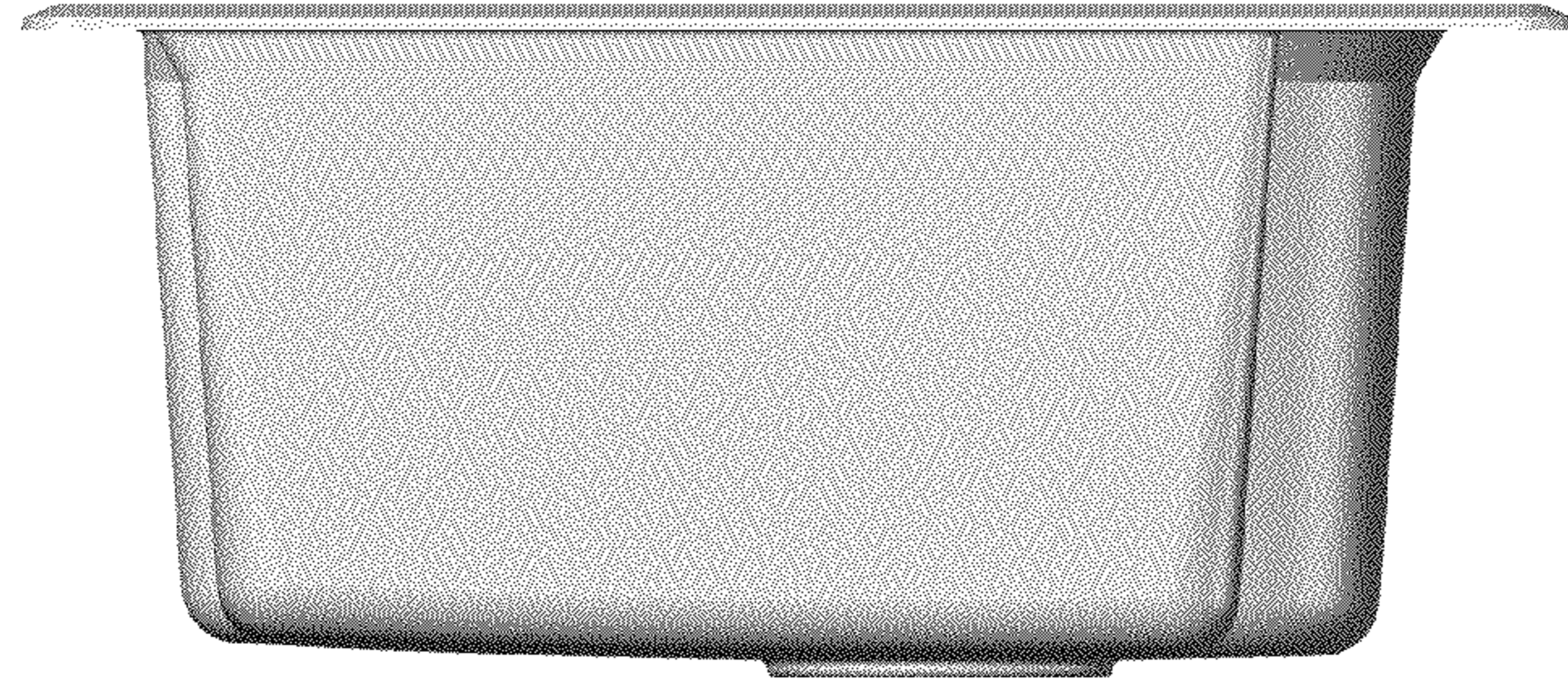


FIG. 3

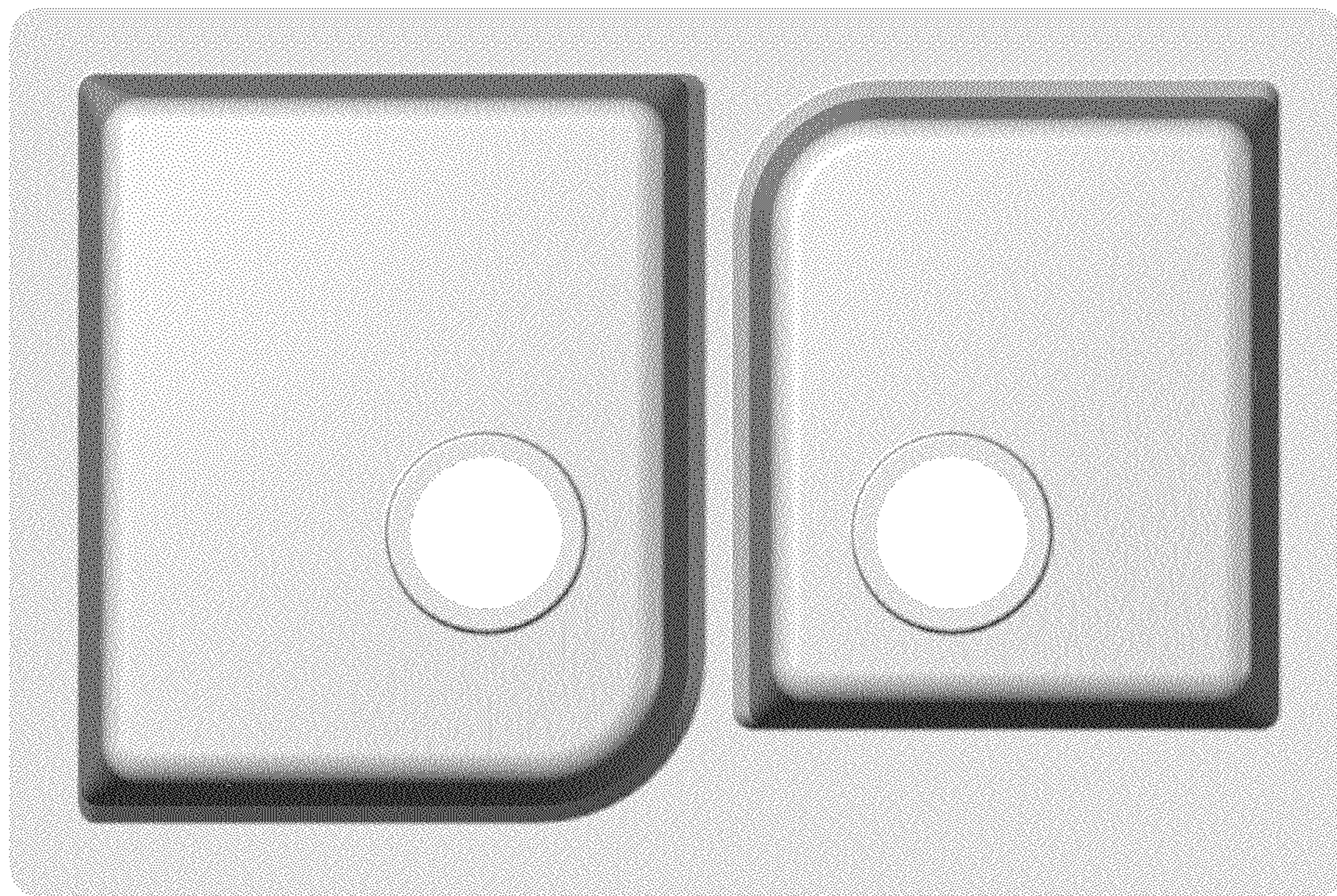


FIG. 4

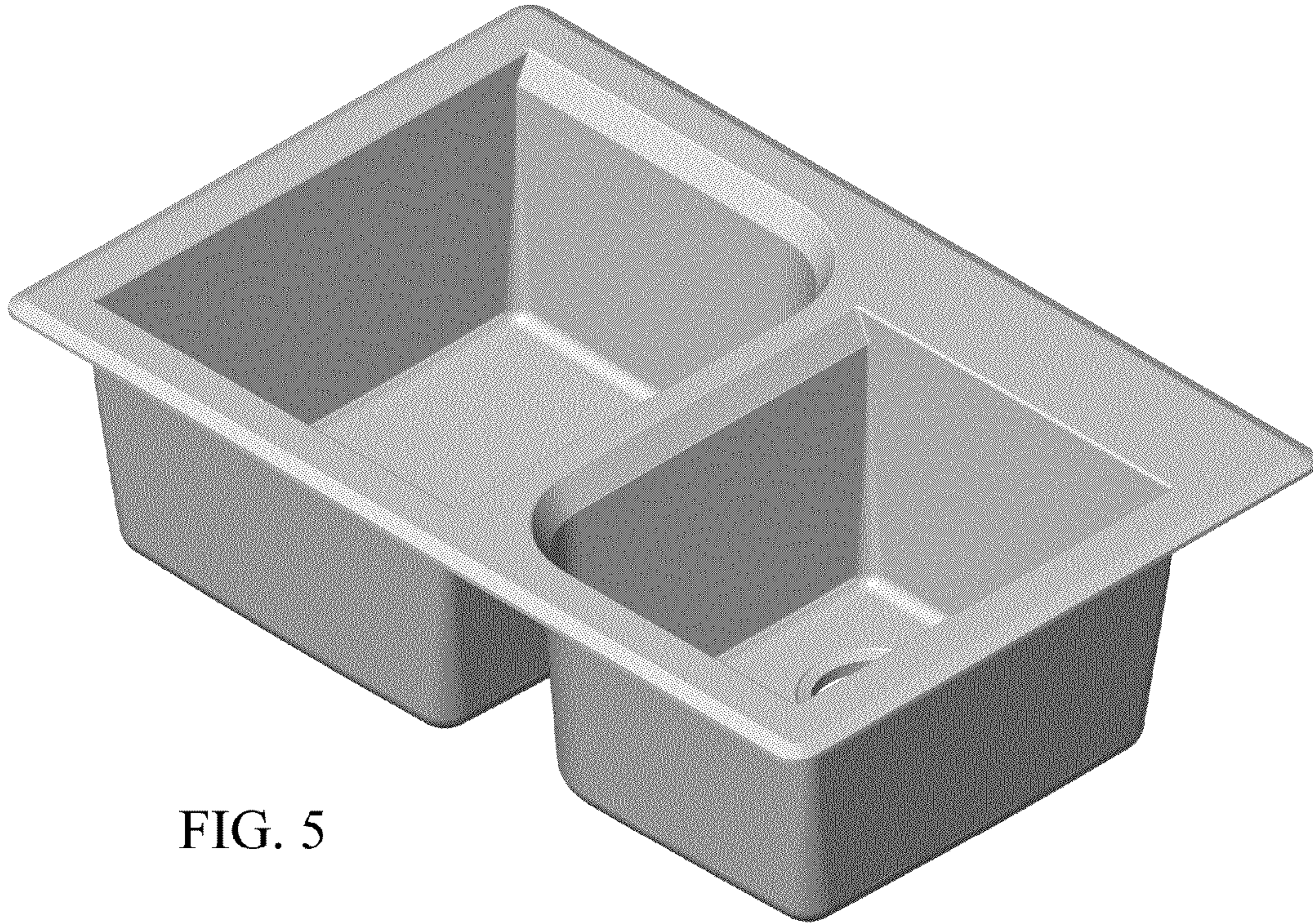


FIG. 5

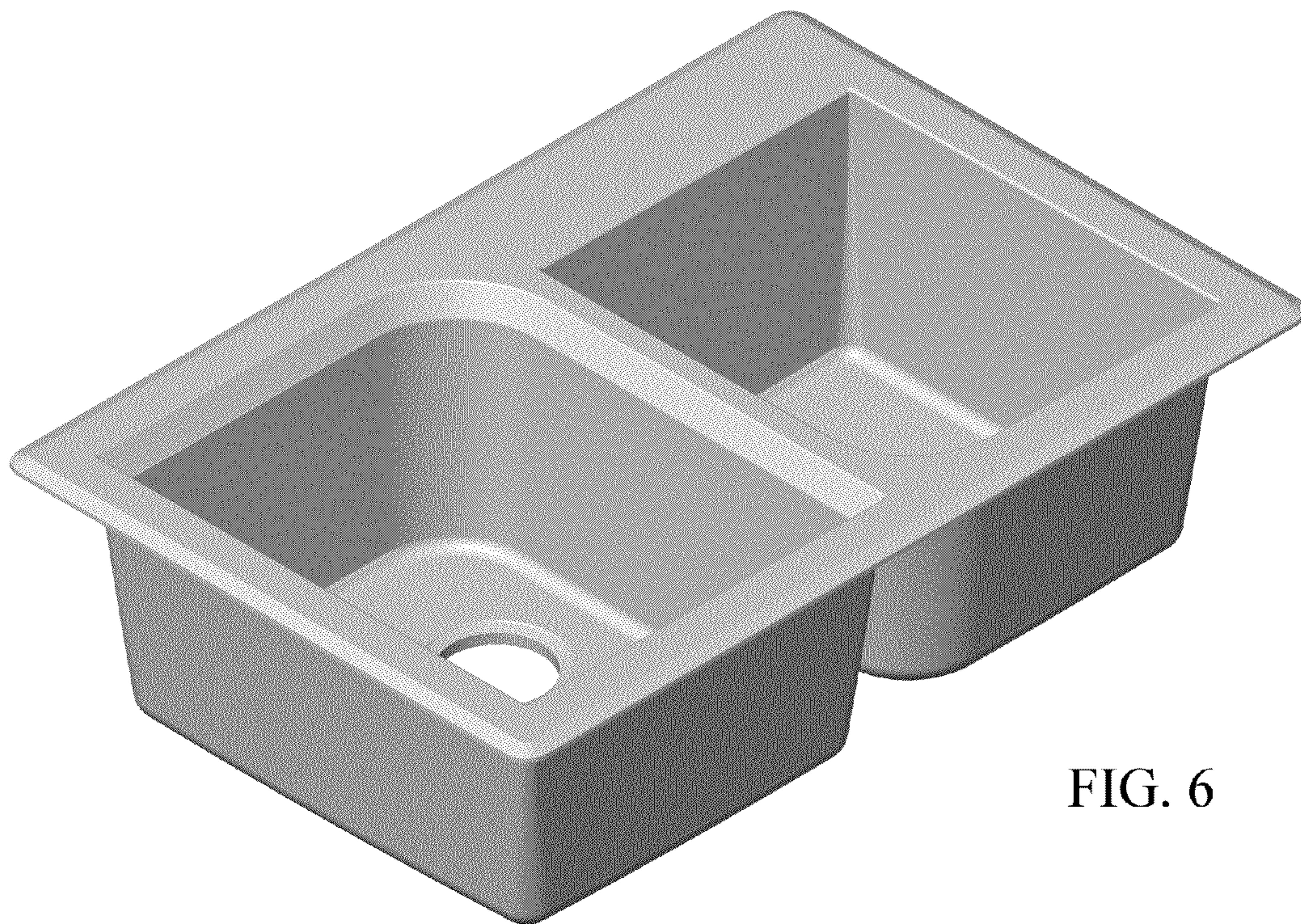


FIG. 6