



US00D708307S

(12) **United States Design Patent**  
**Kurth et al.**

(10) **Patent No.:** **US D708,307 S**  
(45) **Date of Patent:** **\*\* Jul. 1, 2014**

(54) **SINK**

(71) Applicant: **Bilt, LLC**, San Francisco, CA (US)

(72) Inventors: **Mark Kurth**, Beverly Shores, IN (US);  
**Timothy Payne**, Chicago, IL (US)

(73) Assignee: **Bilt, LLC**, San Francisco, CA (US)

(\*\*) Term: **14 Years**

(21) Appl. No.: **29/465,556**

(22) Filed: **Aug. 29, 2013**

(51) **LOC (10) Cl.** ..... **23-02**

(52) **U.S. Cl.**  
USPC ..... **D23/290**

(58) **Field of Classification Search**  
USPC ..... D23/284, 293.1, 292, 303, 308, 290;  
4/619, 639, 642

See application file for complete search history.

(56) **References Cited**

U.S. PATENT DOCUMENTS

5,016,297 A \* 5/1991 Sauter et al. .... 4/619  
D646,365 S \* 10/2011 Parekh ..... D23/290  
D669,560 S \* 10/2012 Booth ..... D23/290

\* cited by examiner

*Primary Examiner* — Robert Delehanty

(74) *Attorney, Agent, or Firm* — Thompson Coburn LLP

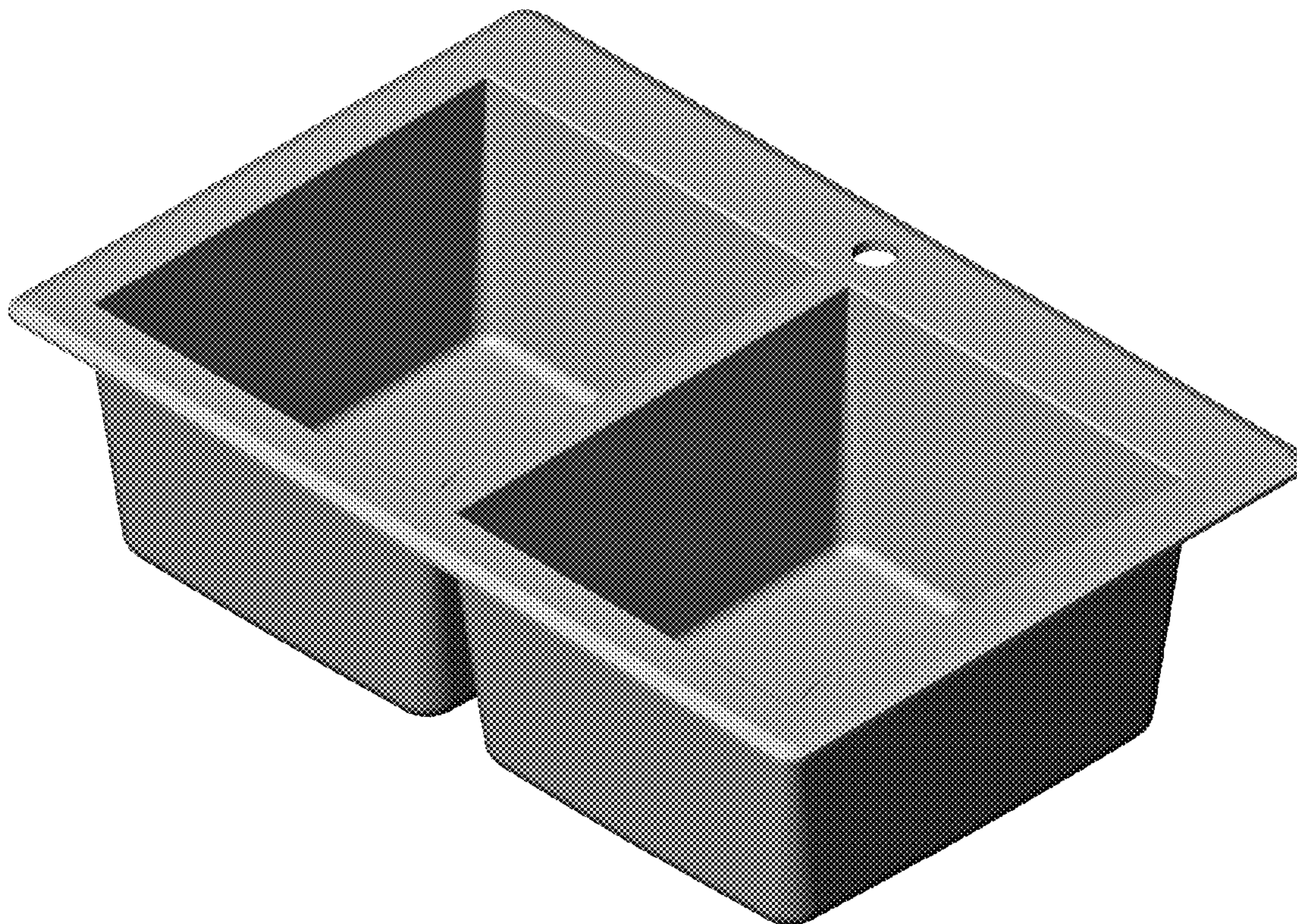
(57) **CLAIM**

The ornamental design for a sink, as shown and described.

**DESCRIPTION**

FIG. 1 is a top view of our new design for a sink.  
FIG. 2 is a front view of our new design for a sink.  
FIG. 3 is a right side view of our new design for a sink.  
FIG. 4 is a bottom view of our new design for a sink.  
FIG. 5 is a perspective view showing the front, top, and right side views of our new design for a sink; and,  
FIG. 6 is a perspective view showing the top, front, and left side views of our new design for a sink.

**1 Claim, 3 Drawing Sheets**





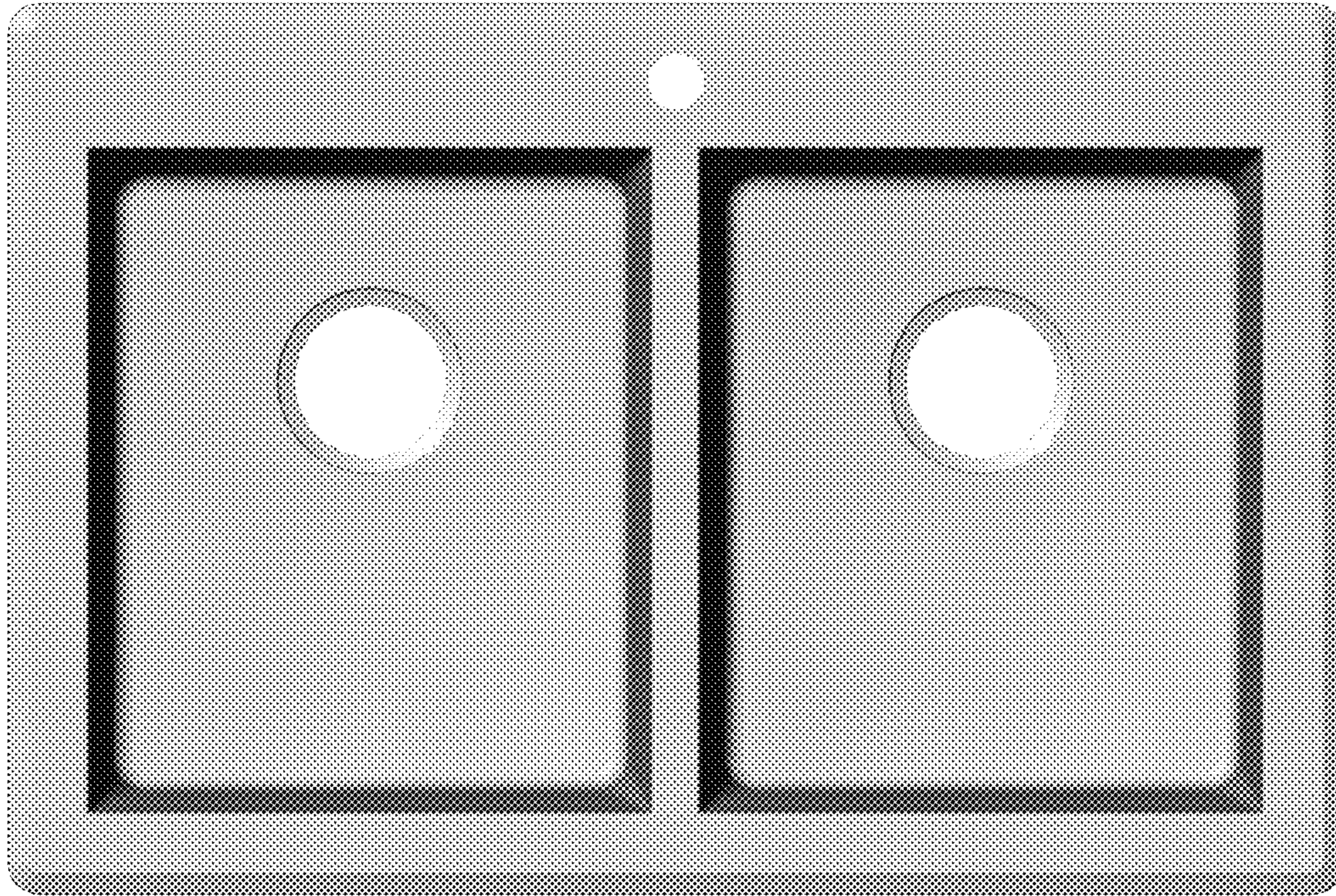


FIG. 1

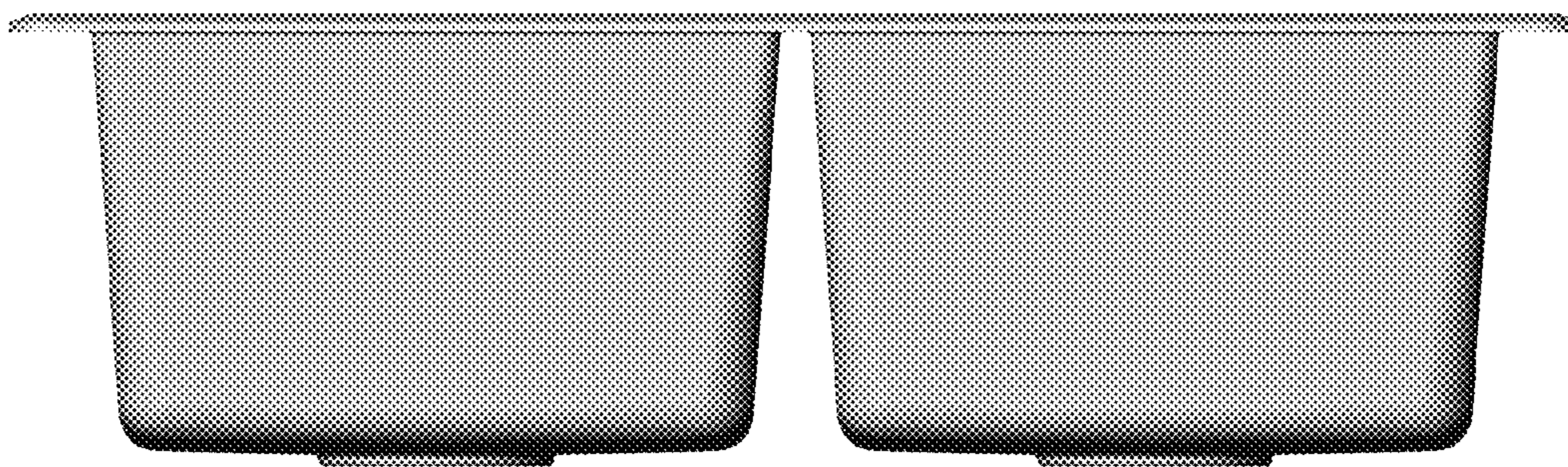


FIG. 2



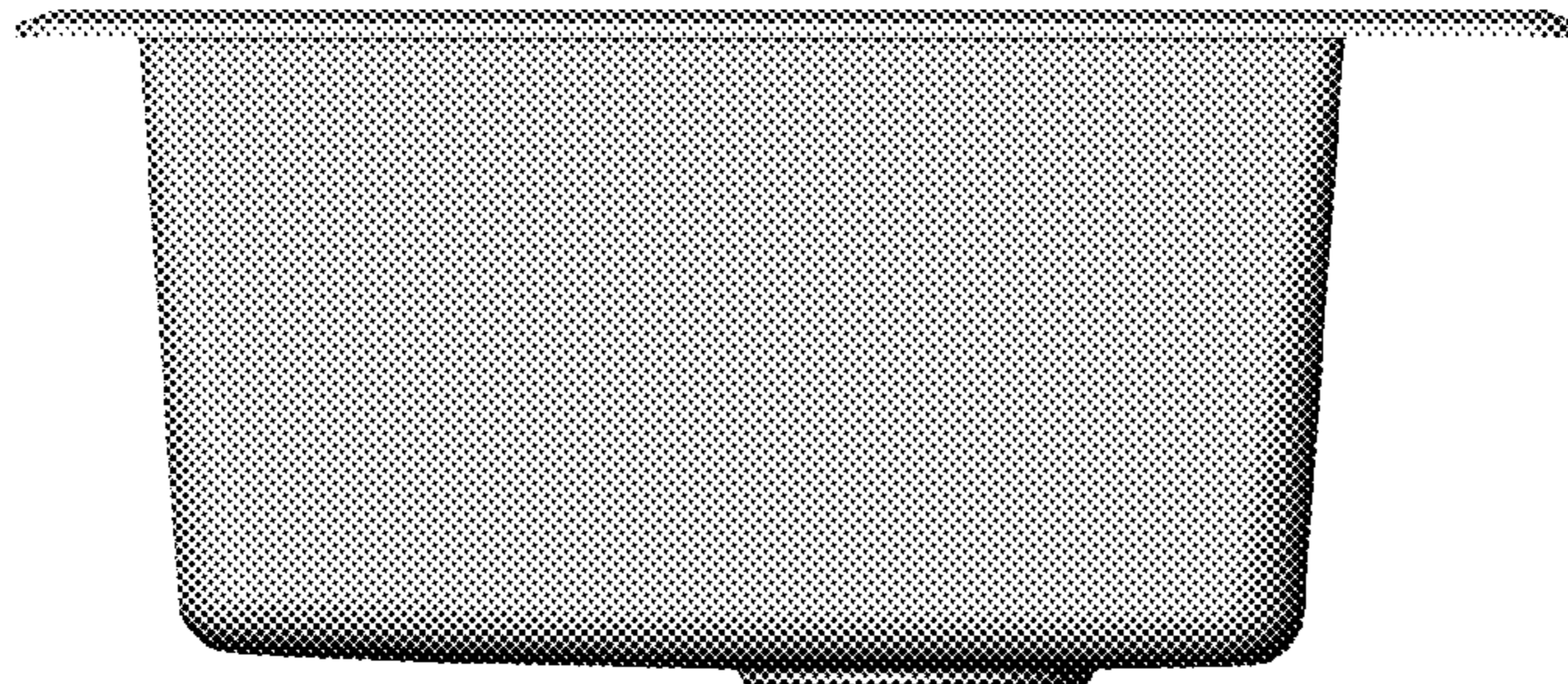


FIG. 3

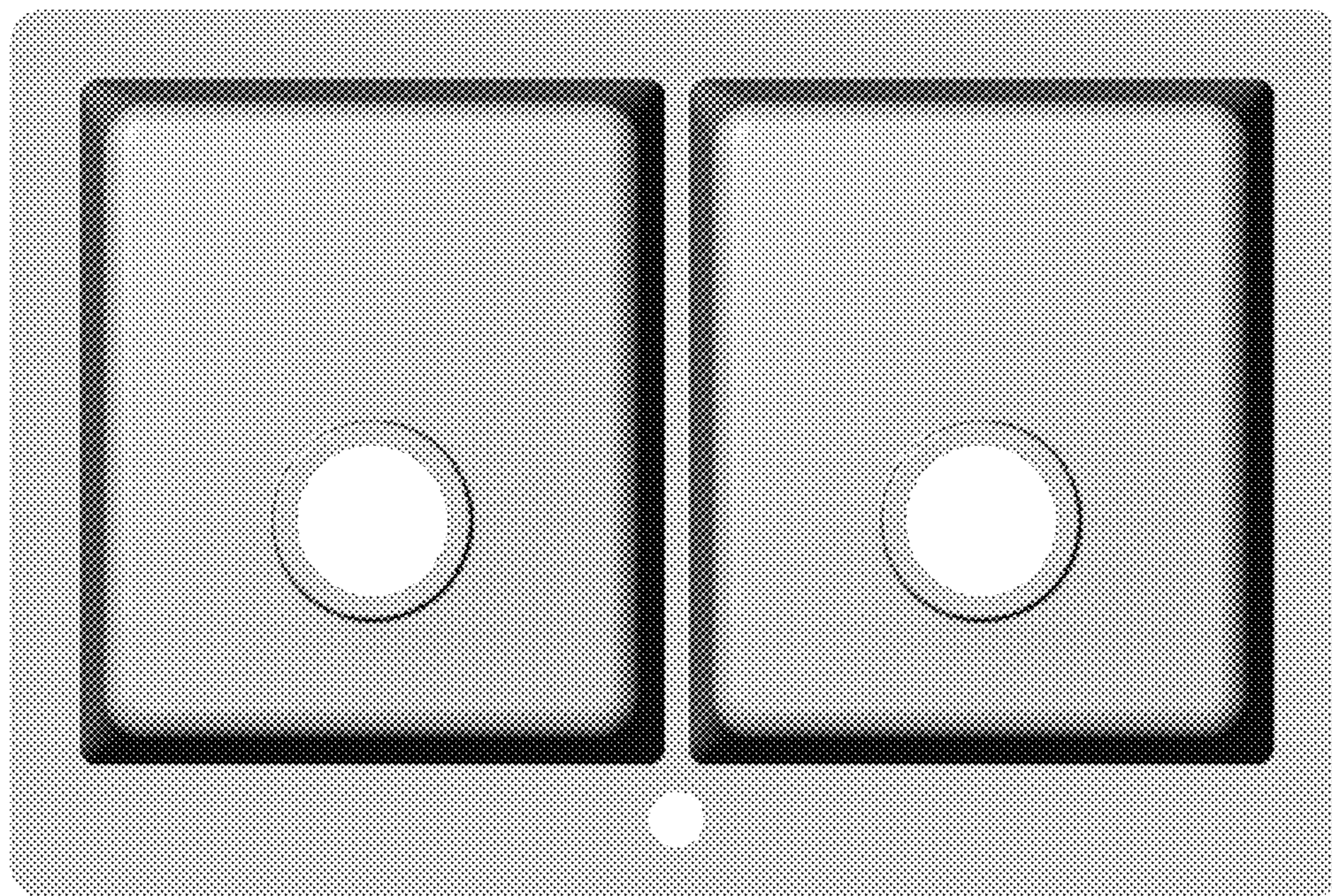


FIG. 4



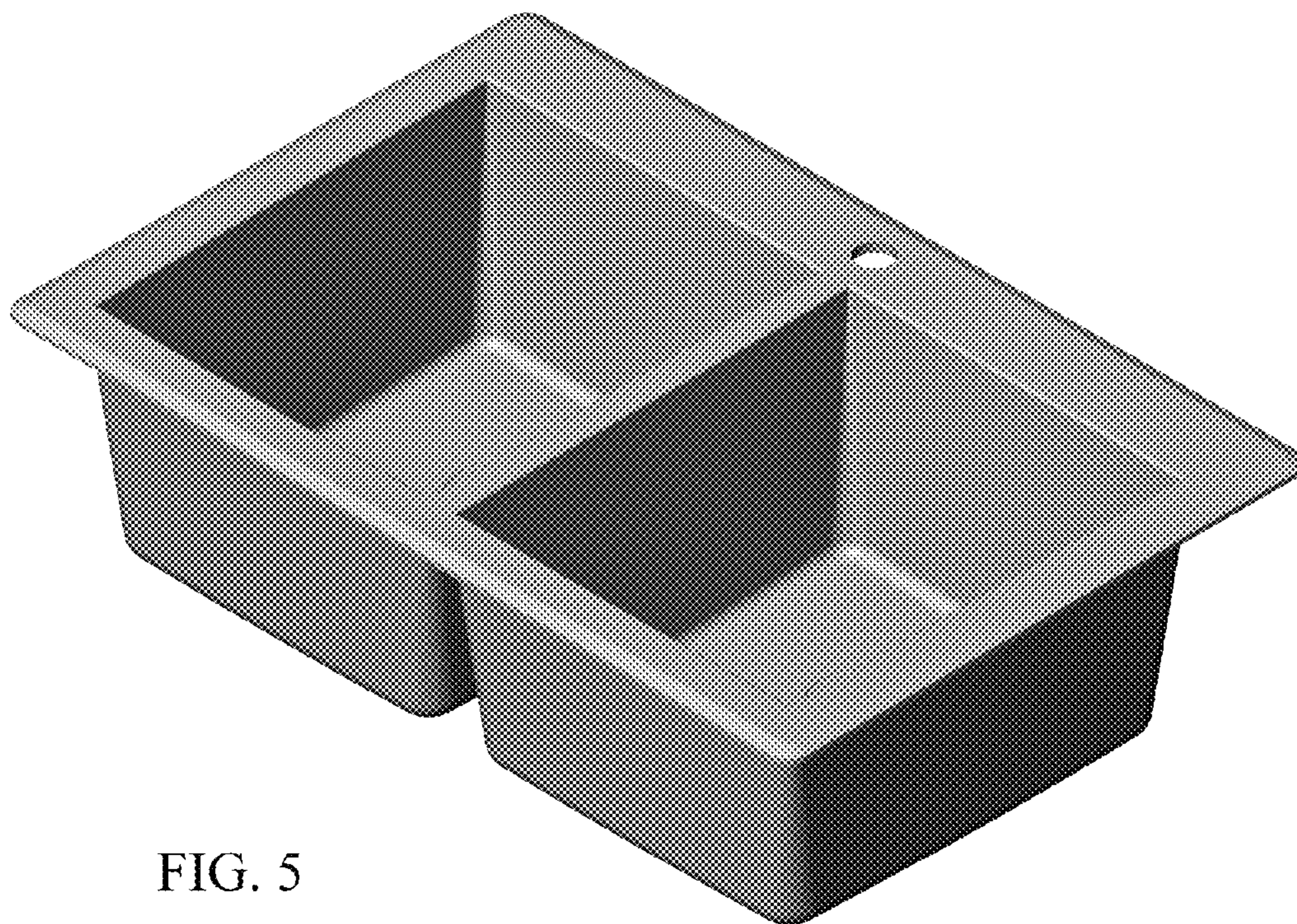


FIG. 5

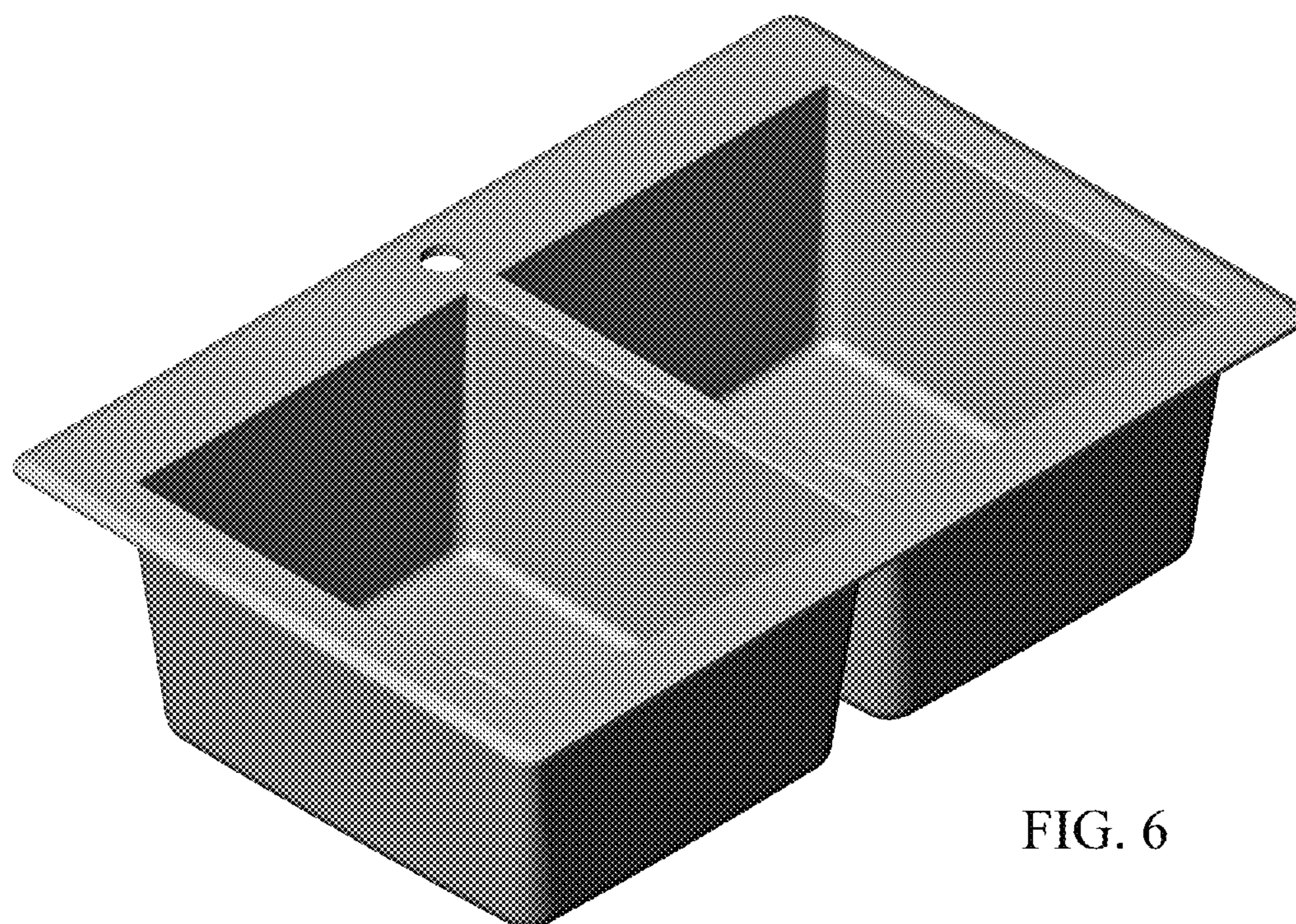


FIG. 6