



US00D708303S

(12) **United States Design Patent**
Gehrling

(10) **Patent No.:** **US D708,303 S**

(45) **Date of Patent:** **** Jul. 1, 2014**

(54) **HYDRAULIC VALVE**

(75) **Inventor:** **Andreas Gehrling**, Lohr/Wombach
(DE)

(73) **Assignee:** **Robert Bosch GmbH**, Stuttgart (DE)

(**) **Term:** **14 Years**

(21) **Appl. No.:** **29/411,110**

(22) **Filed:** **Jan. 17, 2012**

(51) **LOC (10) Cl.** **23-01**

(52) **U.S. Cl.**
USPC **D23/233**

(58) **Field of Classification Search**
USPC D23/233–237, 244–249; D34/32, 33;
137/625.64, 884; 251/15, 17, 129.15,
251/148, 152, 205, 208, 215, 236, 243,
251/309–312, 315.14, 904
See application file for complete search history.

(56) **References Cited**

U.S. PATENT DOCUMENTS

D473,992 S *	4/2003	Hodge	D34/33
D489,157 S *	4/2004	Lawson	D34/33
D527,073 S *	8/2006	Yajima et al.	D23/233
D550,924 S *	9/2007	Huang et al.	D34/33
D599,524 S *	9/2009	Averill et al.	D34/33
D607,540 S *	1/2010	Matsumoto	D23/233

D622,350 S *	8/2010	Gramegna et al.	D23/233
D633,180 S *	2/2011	Duong et al.	D23/233
D681,782 S *	5/2013	Bohm et al.	D23/233

* cited by examiner

Primary Examiner — Cynthia Ramirez

(74) *Attorney, Agent, or Firm* — Maginot, Moore & Beck

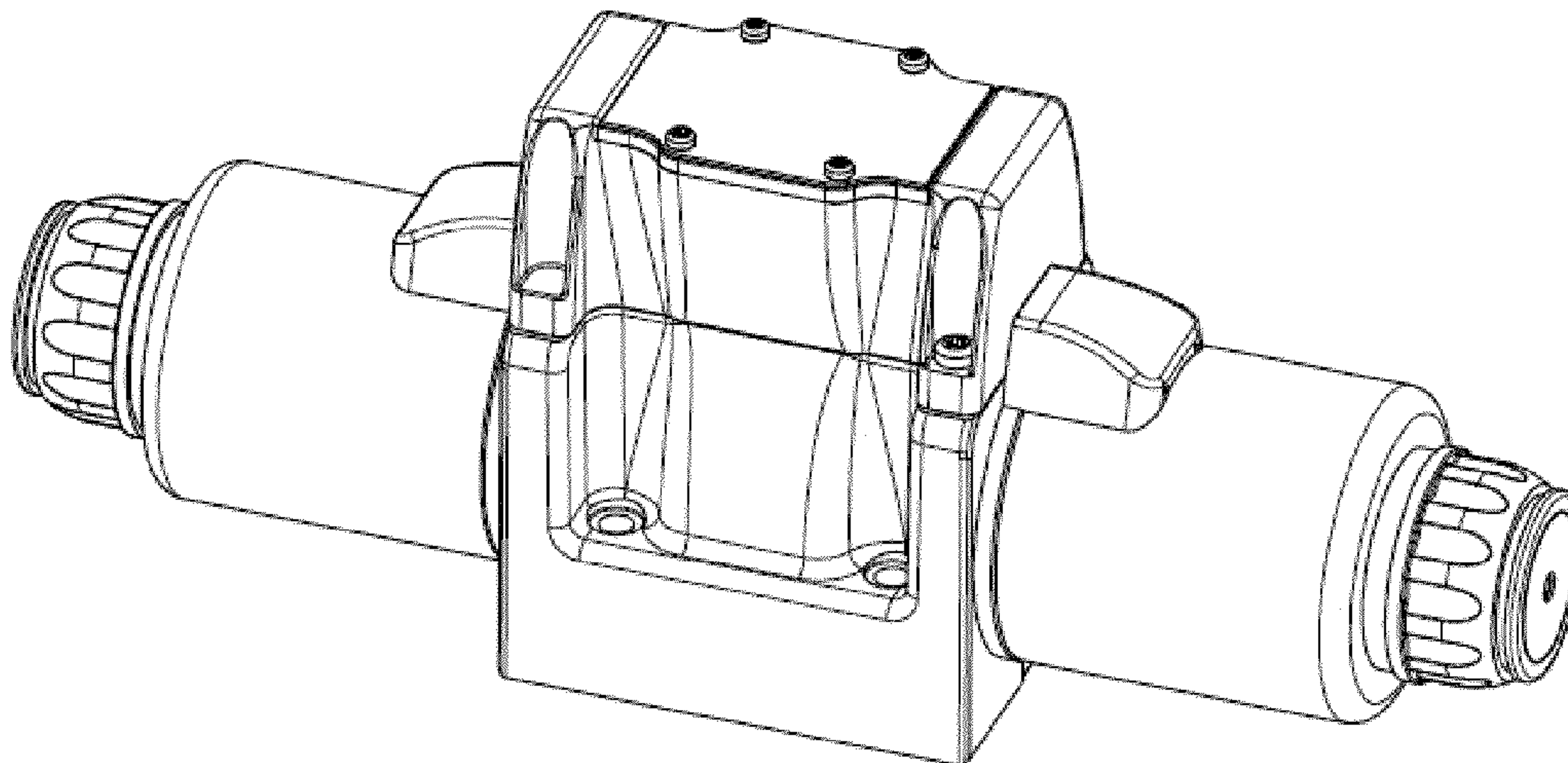
(57) **CLAIM**

The ornamental design for a hydraulic valve, as shown and described.

DESCRIPTION

FIG. 1 is a perspective view of a hydraulic valve showing my new design;
 FIG. 2 is a front elevational view showing the design for the hydraulic valve of FIG. 1;
 FIG. 3 is left side elevational view showing the design for the hydraulic valve of FIG. 1;
 FIG. 4 is a top plan view showing the design for the hydraulic valve of FIG. 1;
 FIG. 5 is a bottom plan view showing the design for the hydraulic valve of FIG. 1;
 FIG. 6 is a right side elevational view showing the design for the hydraulic valve of FIG. 1; and,
 FIG. 7 is a rear elevational view showing the design for the hydraulic valve of FIG. 1.
 The broken lines shown in FIG. 5 illustrate portions of the hydraulic valve that form no part of the claimed design.

1 Claim, 7 Drawing Sheets



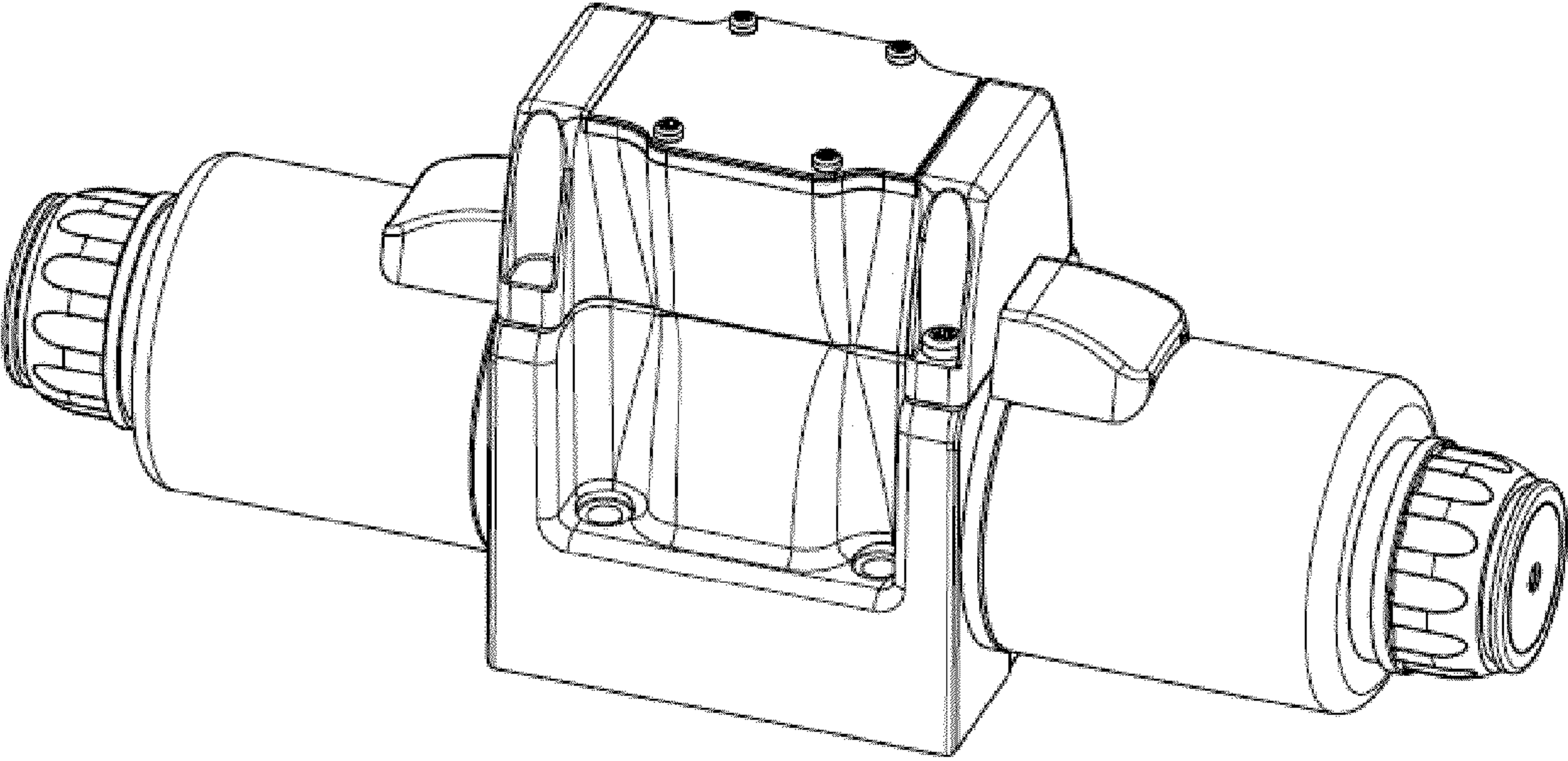


Fig. 1

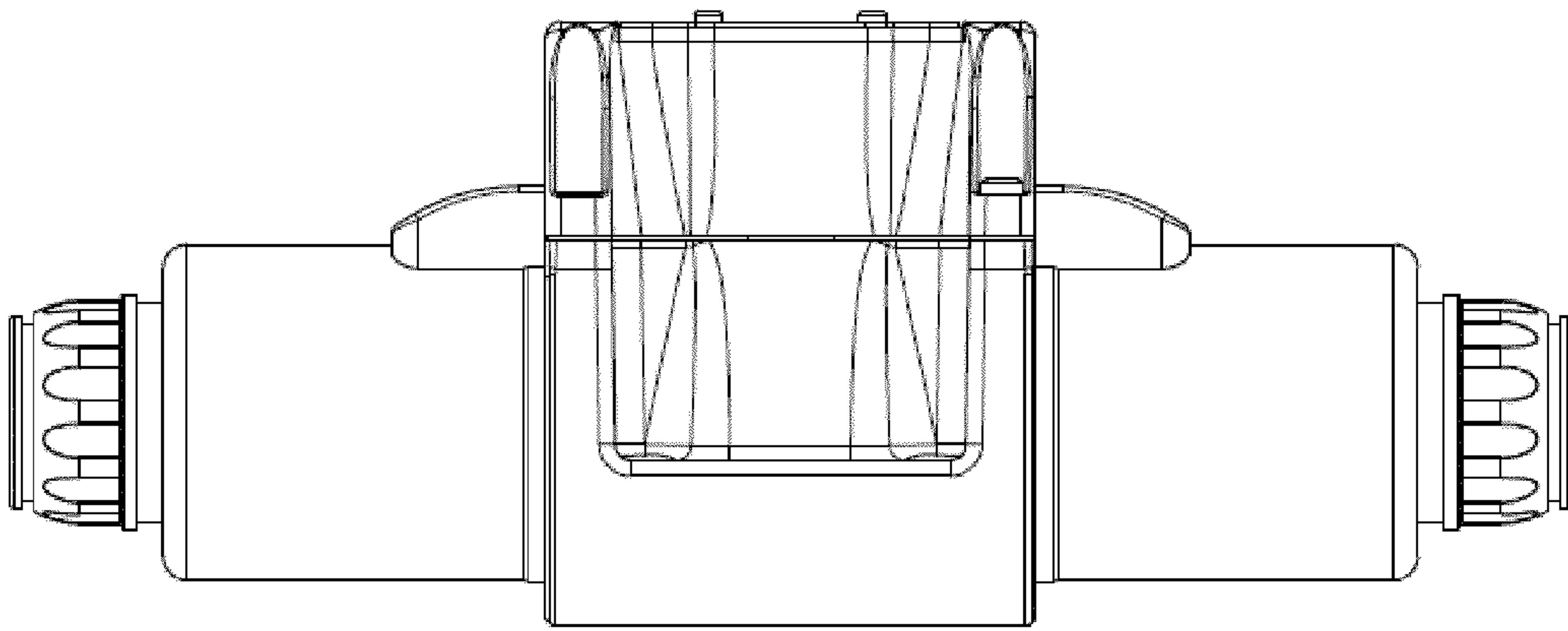


Fig. 2

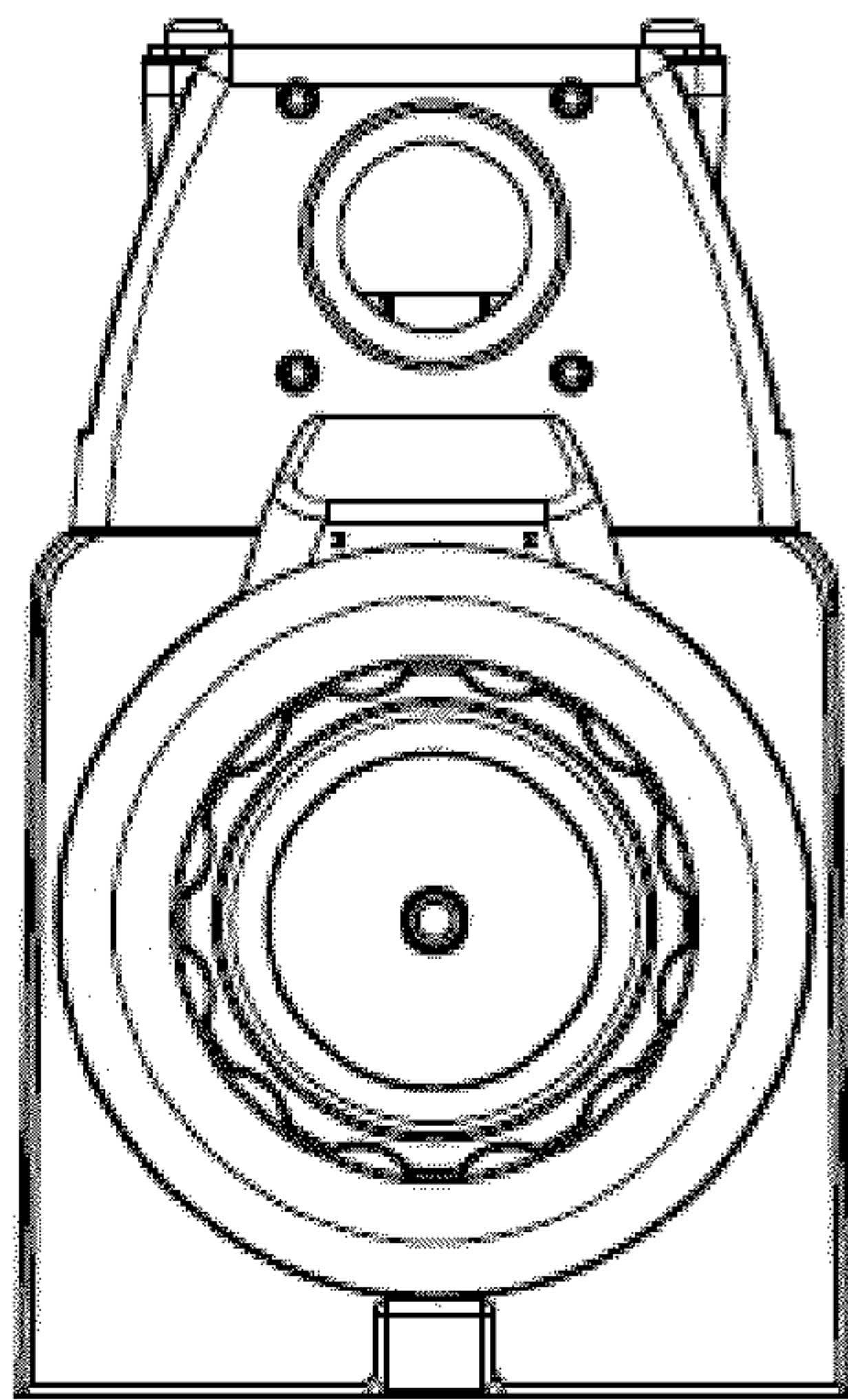


Fig. 3

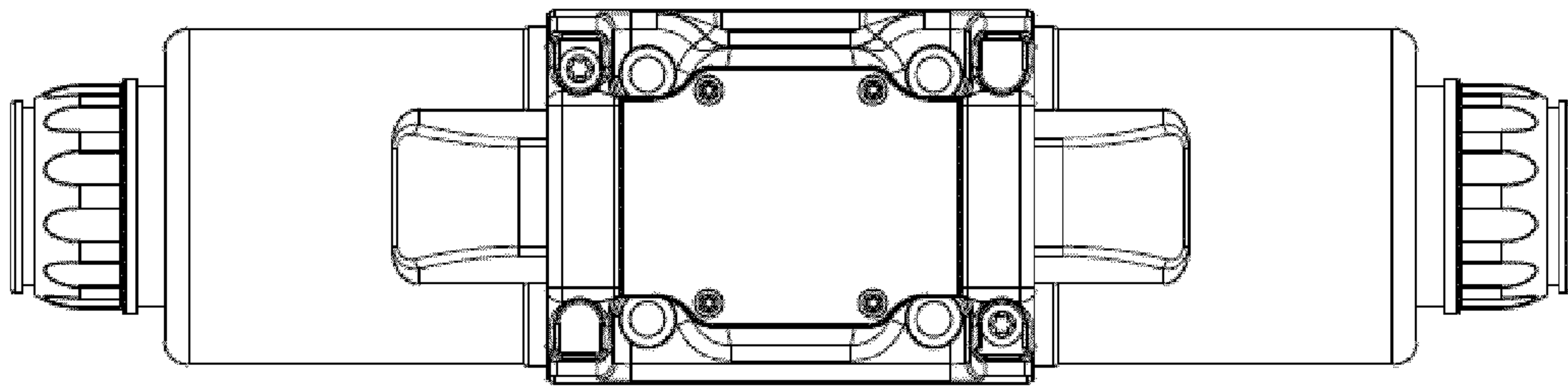


Fig. 4

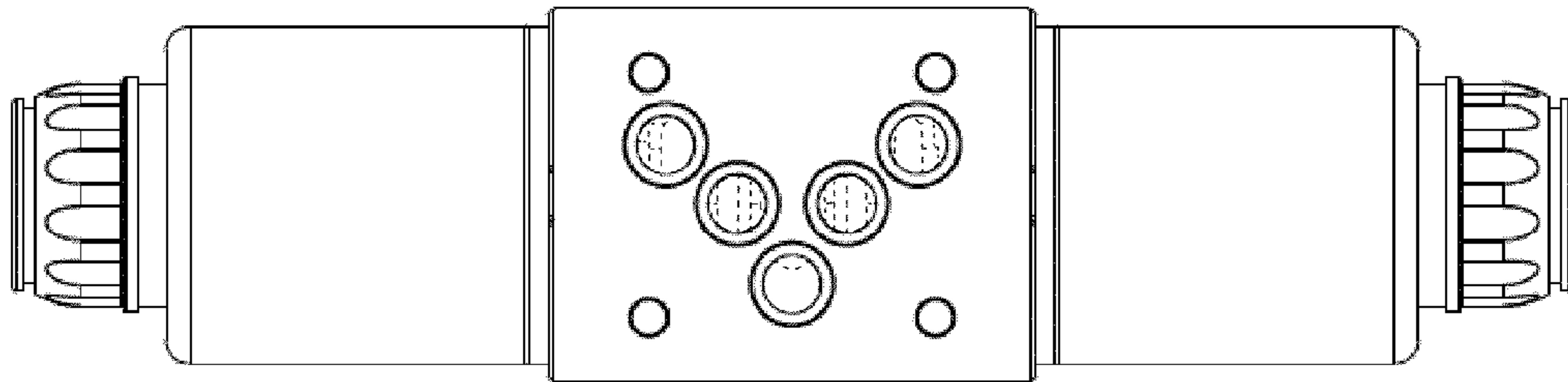


Fig. 5

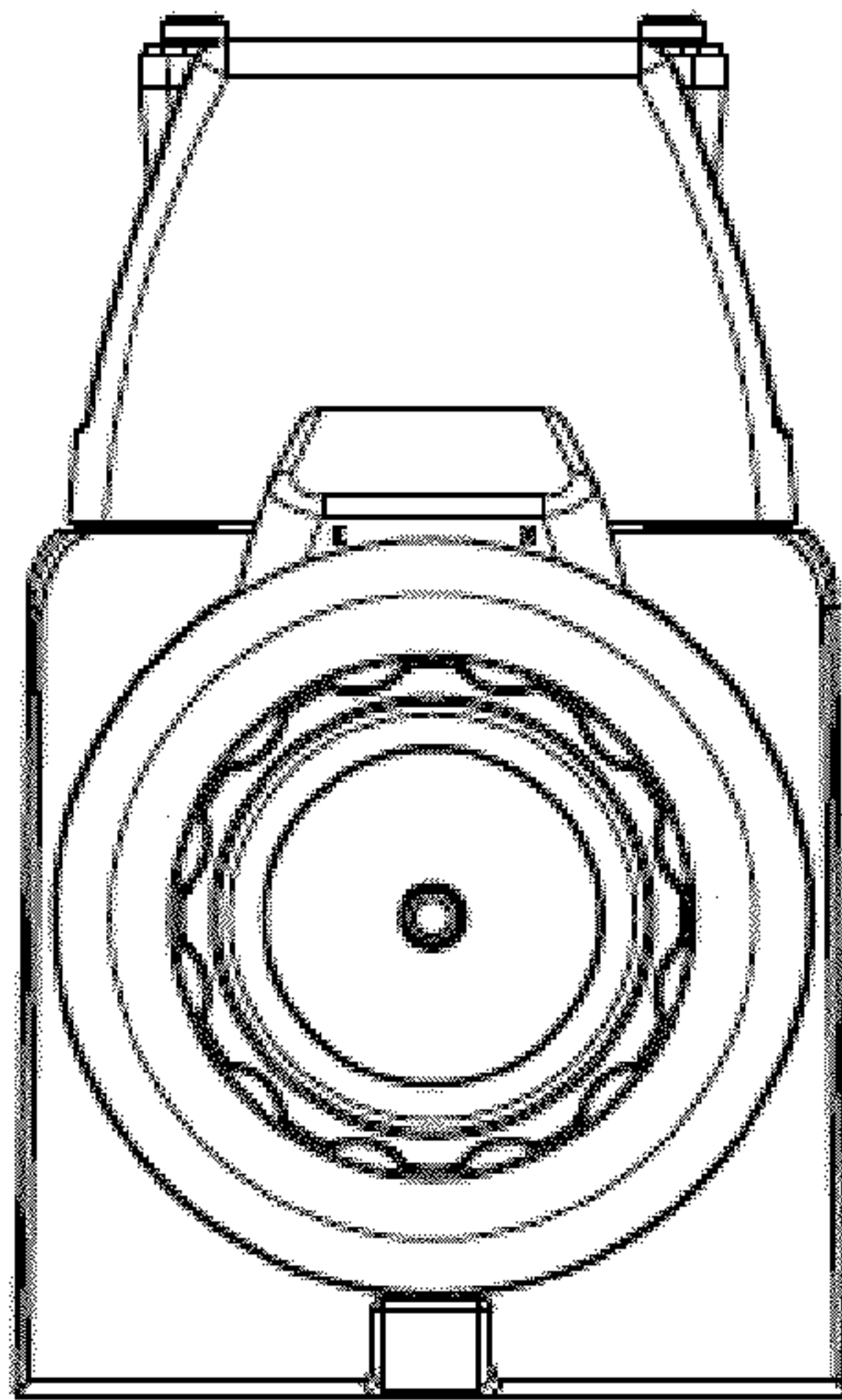


Fig. 6

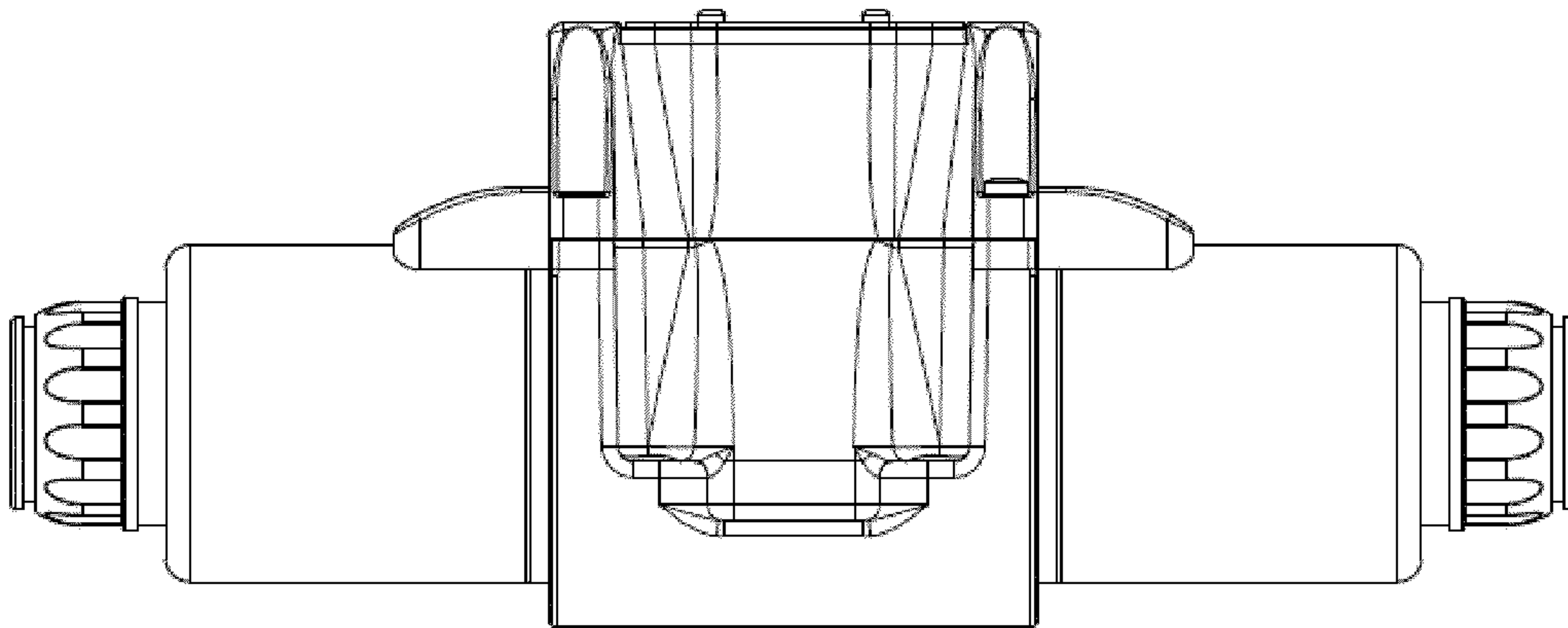


Fig. 7