



US00D708300S

(12) **United States Design Patent**
Kah, Jr. et al.

(10) **Patent No.:** **US D708,300 S**
(45) **Date of Patent:** **** Jul. 1, 2014**

(54) **SPRINKLER TOP**

(71) Applicants: **Carl L. C. Kah, Jr.**, North Palm Beach, FL (US); **Carl L. C. Kah, III**, North Palm Beach, FL (US)

(72) Inventors: **Carl L. C. Kah, Jr.**, North Palm Beach, FL (US); **Carl L. C. Kah, III**, North Palm Beach, FL (US)

(**) Term: **14 Years**

(21) Appl. No.: **29/451,040**

(22) Filed: **Mar. 27, 2013**

(51) **LOC (10) Cl.** **23-01**

(52) **U.S. Cl.**
USPC **D23/214**

(58) **Field of Classification Search**
USPC D23/213, 214, 218; 239/200–206,
239/288.5

See application file for complete search history.

(56) **References Cited**

U.S. PATENT DOCUMENTS

D264,491	S	*	5/1982	Hunter	D23/218
D275,313	S	*	8/1984	Clivio et al.	D23/218
D466,585	S	*	12/2002	Alkalay	D23/214
D466,971	S	*	12/2002	Clivio	D23/214
6,568,608	B2	*	5/2003	Sirkin	239/569

7,017,831	B2	*	3/2006	Santiago et al.	239/222.13
7,097,116	B2	*	8/2006	Fernandez	239/206
D628,272	S	*	11/2010	Kah et al.	D23/214
8,136,742	B2	*	3/2012	Cordua	239/205
8,366,020	B2	*	2/2013	Wang et al.	239/237
D682,391	S	*	5/2013	Kah et al.	D23/214

* cited by examiner

Primary Examiner — Robin V Webster

(74) *Attorney, Agent, or Firm* — Ostrolenk Faber LLP

(57) **CLAIM**

The ornamental design for a sprinkler top, as shown and described.

DESCRIPTION

FIG. 1 is a perspective view of a sprinkler top showing our new design;

FIG. 2 is a top plan view thereof;

FIG. 3 is a bottom plan view thereof;

FIG. 4 is a side view thereof;

FIG. 5 is an opposite side view thereof;

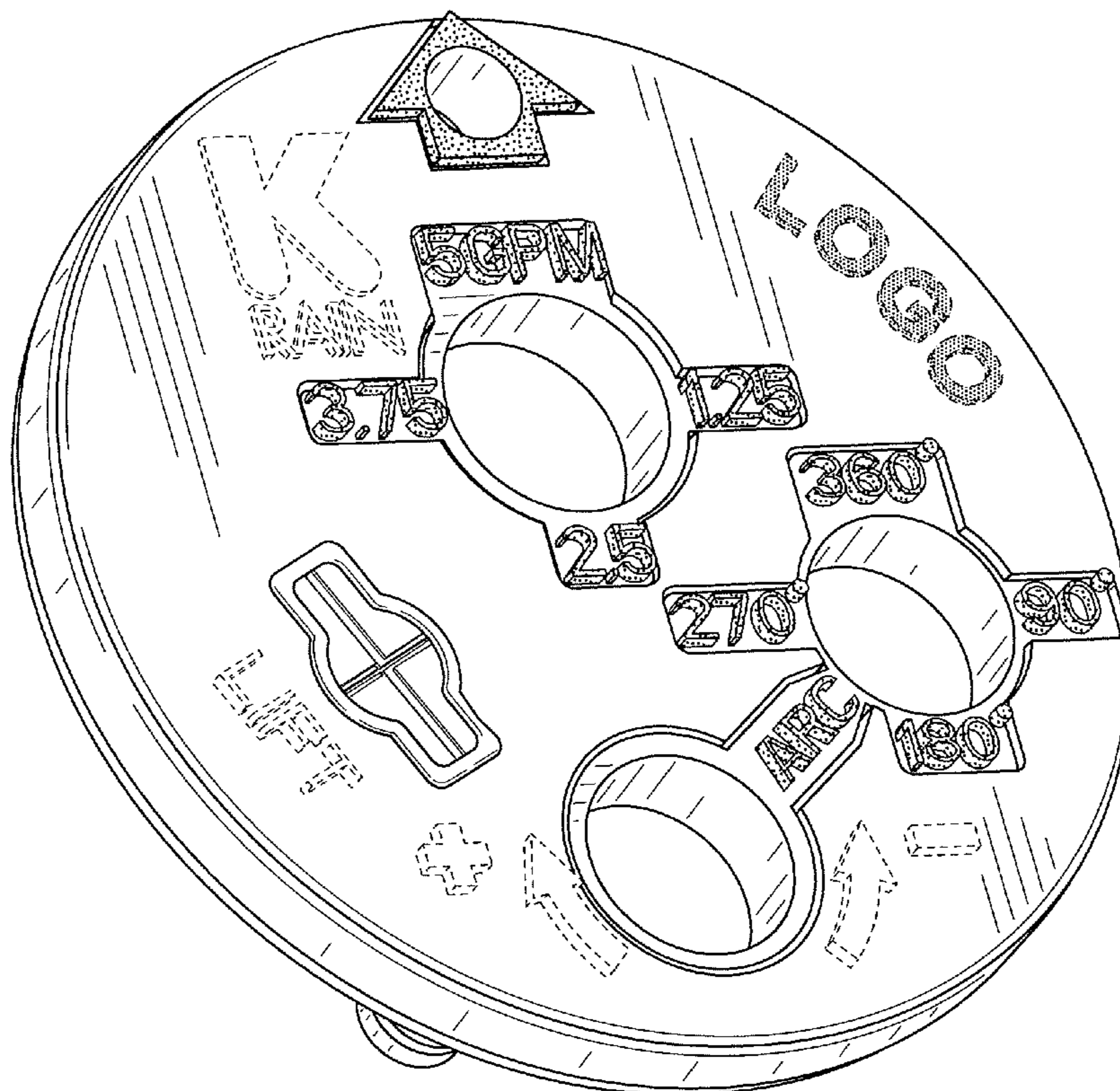
FIG. 6 is a rear view thereof;

FIG. 7 is a front view thereof; and,

FIG. 8 is a perspective view of the sprinkler top positioned on top of an exemplary sprinkler.

The broken lines show environmental matter that forms no part of the claimed design. The stippling is used to indicate a different appearance of selected portions of the design.

1 Claim, 6 Drawing Sheets



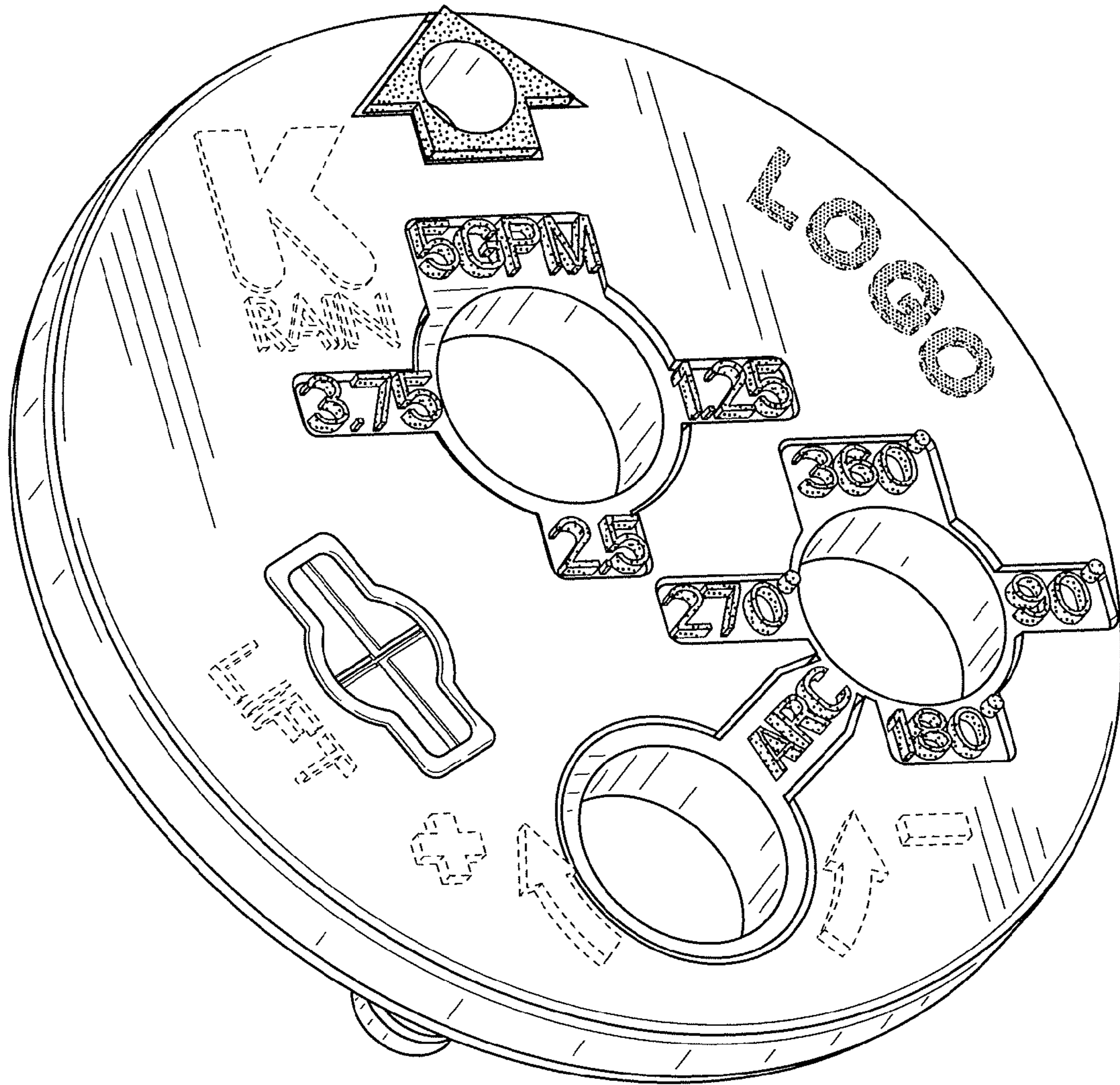


FIG. 1

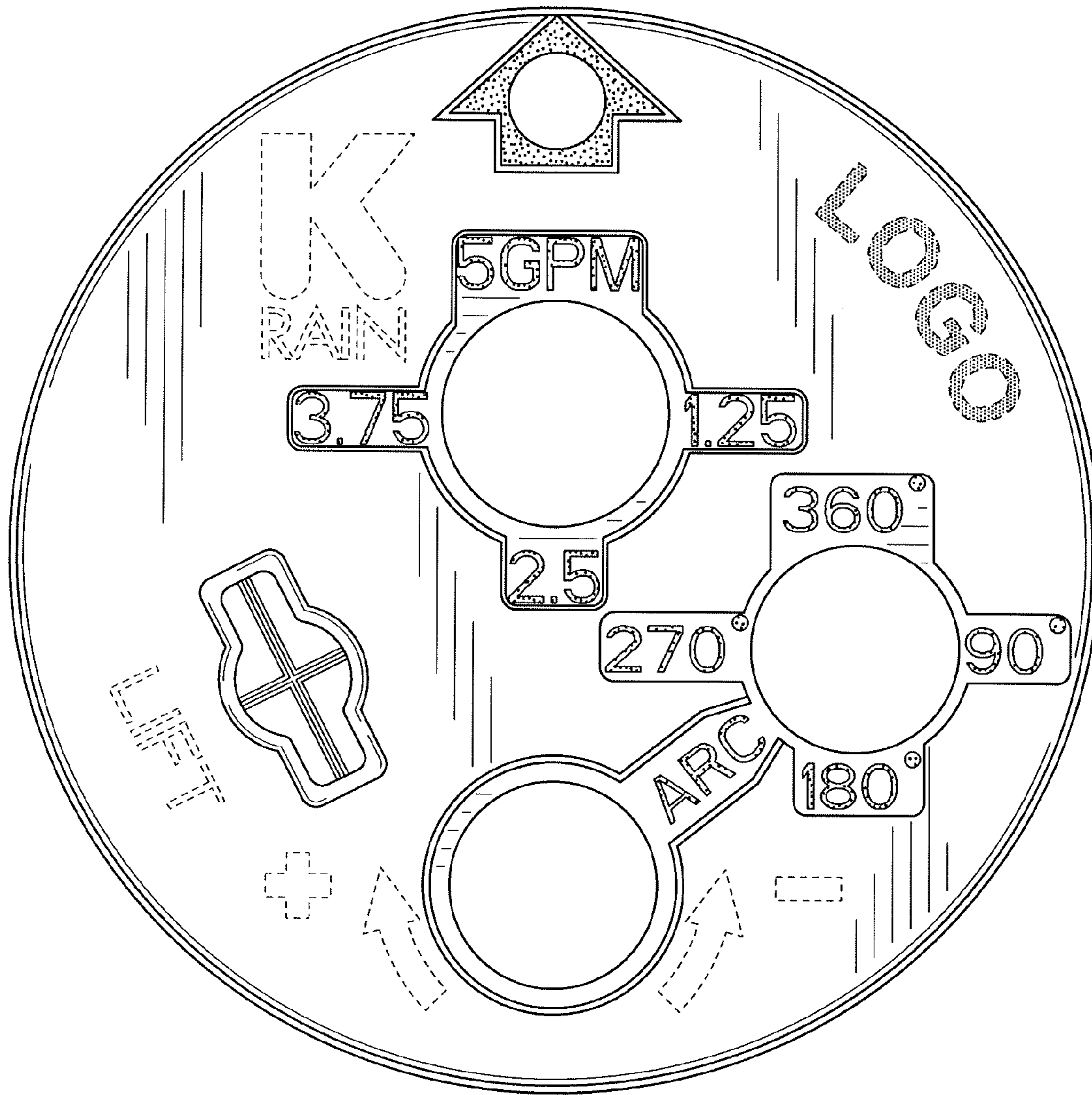


FIG. 2

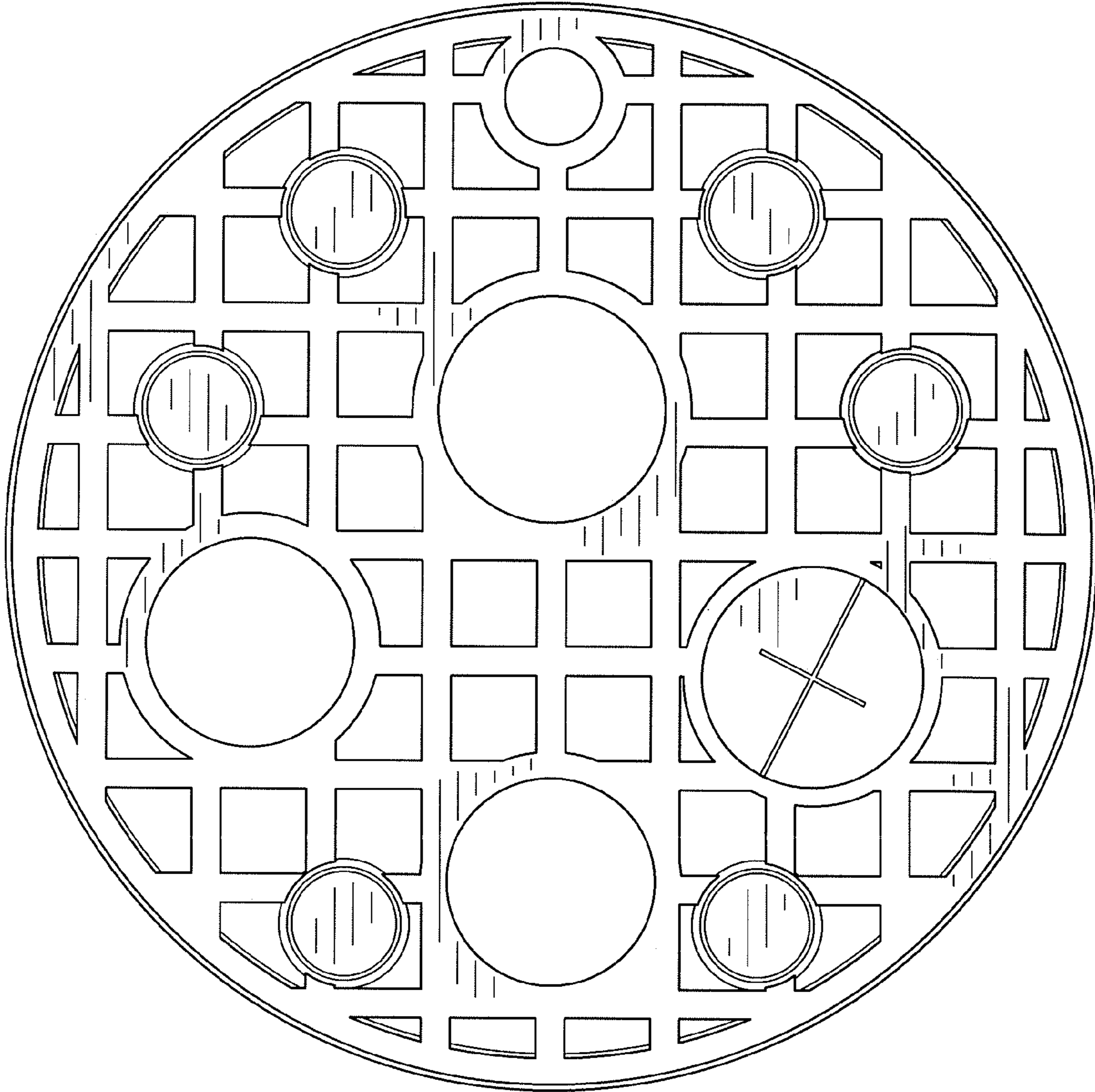


FIG. 3

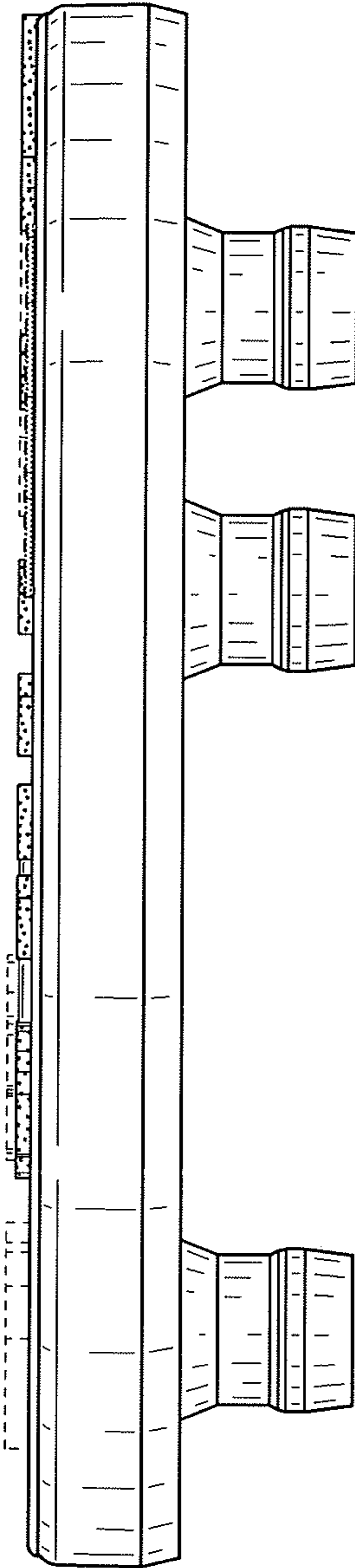


FIG. 4

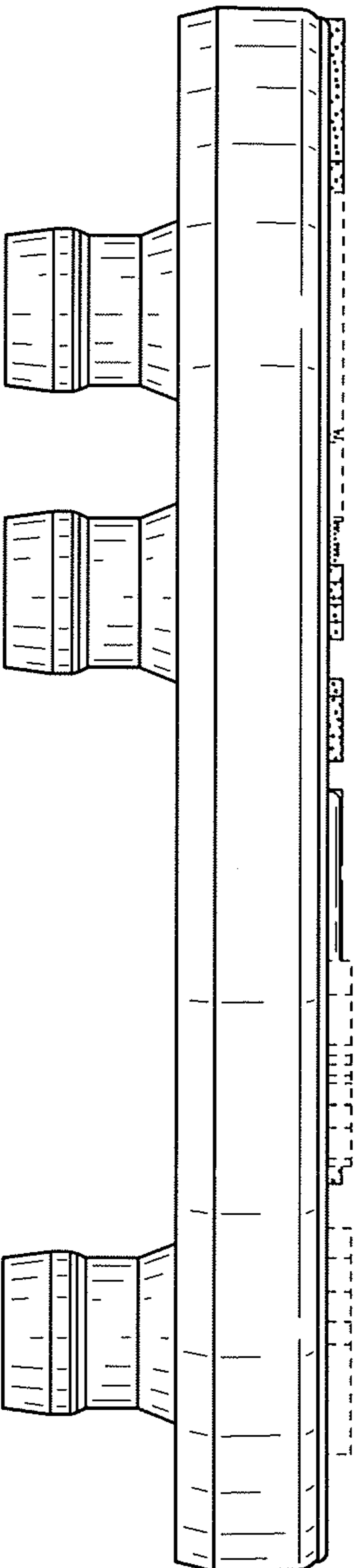


FIG. 5

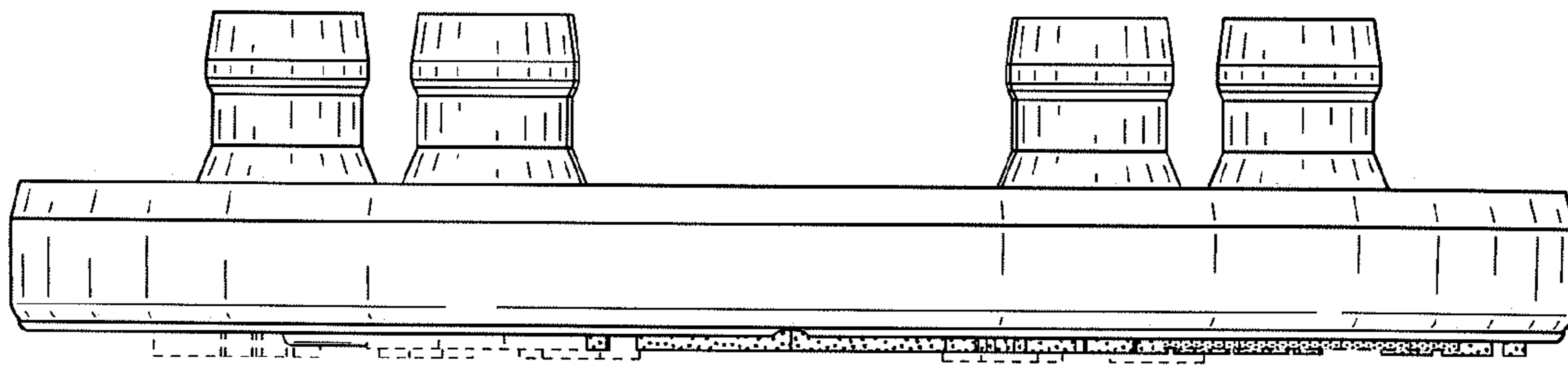


FIG. 6

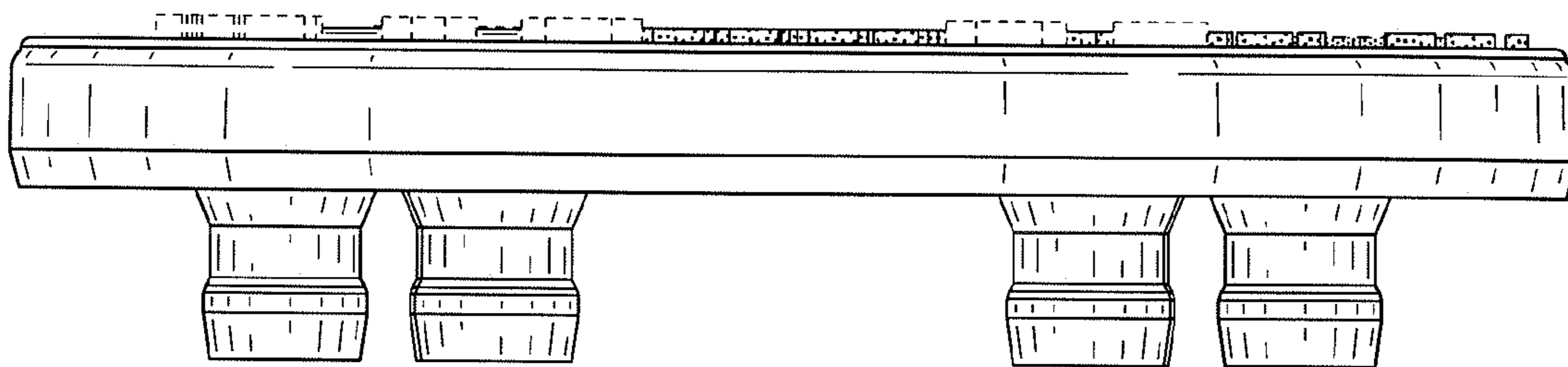


FIG. 7

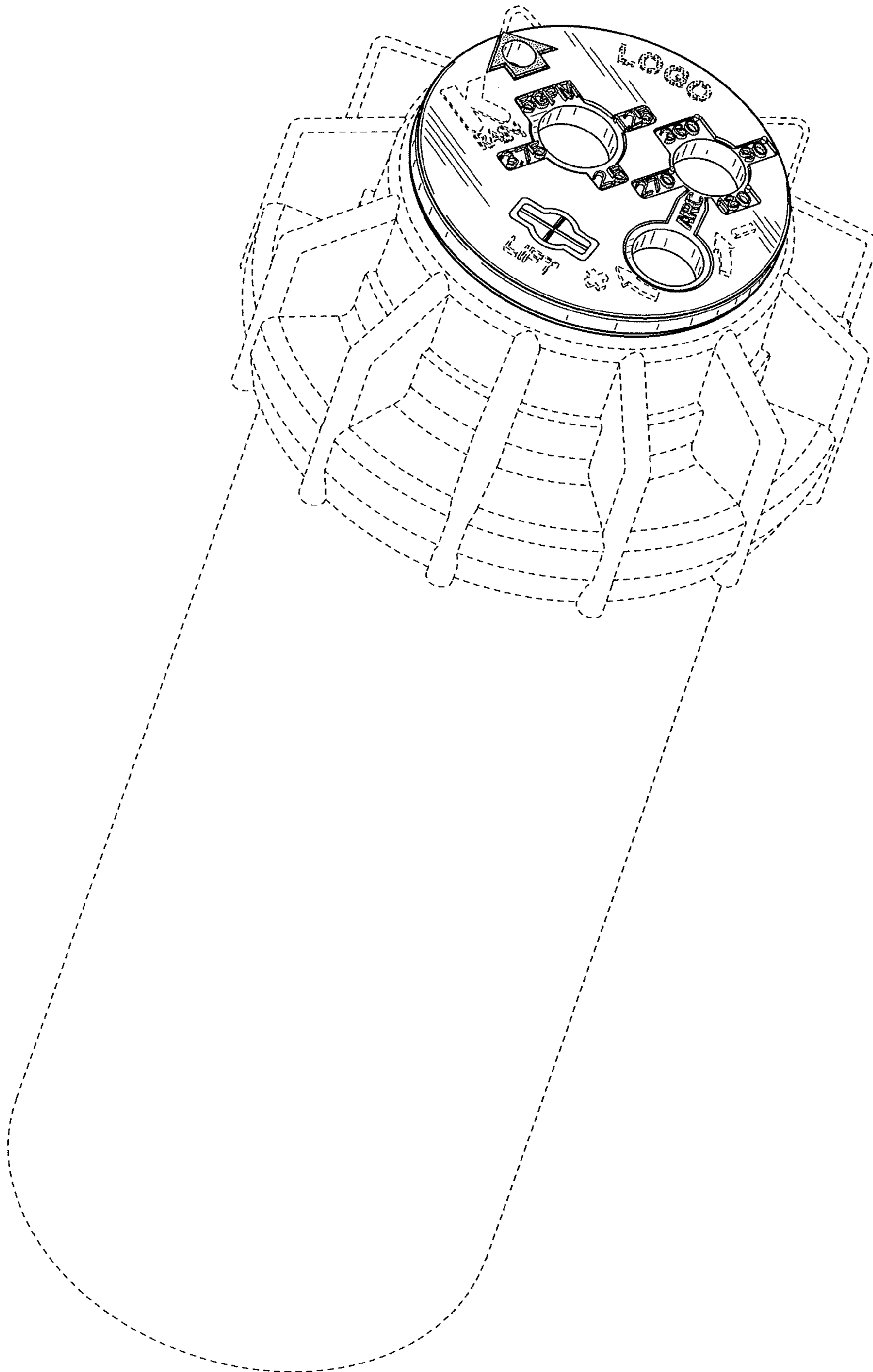


FIG. 8