



US00D708296S

(12) **United States Design Patent**
Williams et al.

(10) **Patent No.:** **US D708,296 S**

(45) **Date of Patent:** **** Jul. 1, 2014**

(54) **FLUID APPLICATOR**

(71) Applicants: **Craig A. Williams**, Maumee, OH (US);
Bradley Alan Spraw, Maumee, OH (US)

(72) Inventors: **Craig A. Williams**, Maumee, OH (US);
Bradley Alan Spraw, Maumee, OH (US)

(73) Assignee: **Designetics, Inc.**, Holland, OH (US)

(**) Term: **14 Years**

(21) Appl. No.: **29/465,148**

(22) Filed: **Aug. 23, 2013**

(51) **LOC (10) Cl.** **23-01**

(52) **U.S. Cl.**
USPC **D23/213**

(58) **Field of Classification Search**
USPC D23/213; D9/723, 724; 239/589, 597,
239/601; 401/55, 266, 205, 206; 118/264
See application file for complete search history.

(56) **References Cited**

U.S. PATENT DOCUMENTS

D372,070	S	*	7/1996	Zak et al.	D23/213
6,981,664	B1	*	1/2006	Fugere	239/591
D535,721	S	*	1/2007	Ford et al.	D23/213
D567,899	S	*	4/2008	Rigolio	D23/213
7,708,211	B2	*	5/2010	Maier et al.	239/456
D639,903	S	*	6/2011	Plotzitzka et al.	D23/213
D667,530	S	*	9/2012	Wyne	D23/213
D670,357	S	*	11/2012	Lang et al.	D23/213

* cited by examiner

Primary Examiner — Robin V Webster

(74) *Attorney, Agent, or Firm* — Donald K. Wedding

(57) **CLAIM**

The ornamental design for a fluid applicator, as shown and described.

DESCRIPTION

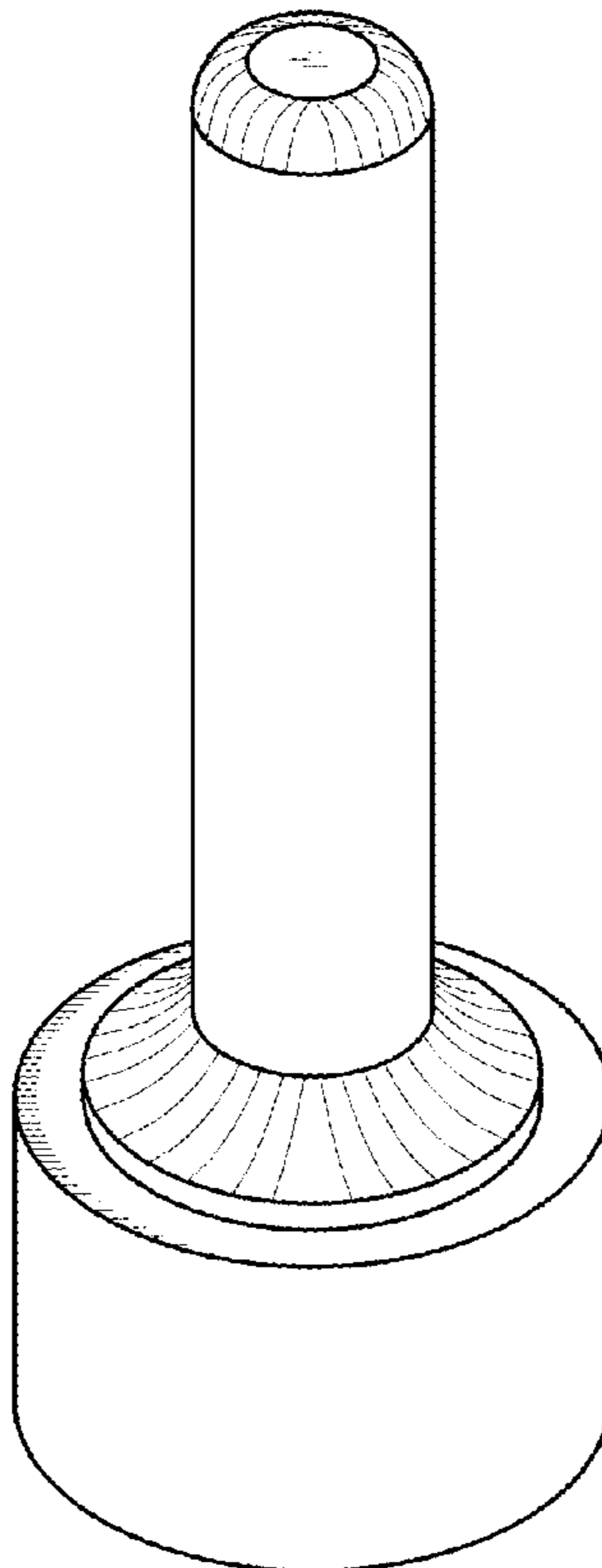
FIG. 1 is a perspective view of our ornamental design for a fluid applicator.

FIG. 2 is a top view of our design shown in FIG. 1.

FIG. 3 is a side plan view of our design shown in FIG. 1, all side plan views being identical to the side plan view; and, FIG. 4 is a bottom view of our design shown in FIG. 1.

The fluid applicator is used to apply a fluid to a surface.

1 Claim, 2 Drawing Sheets



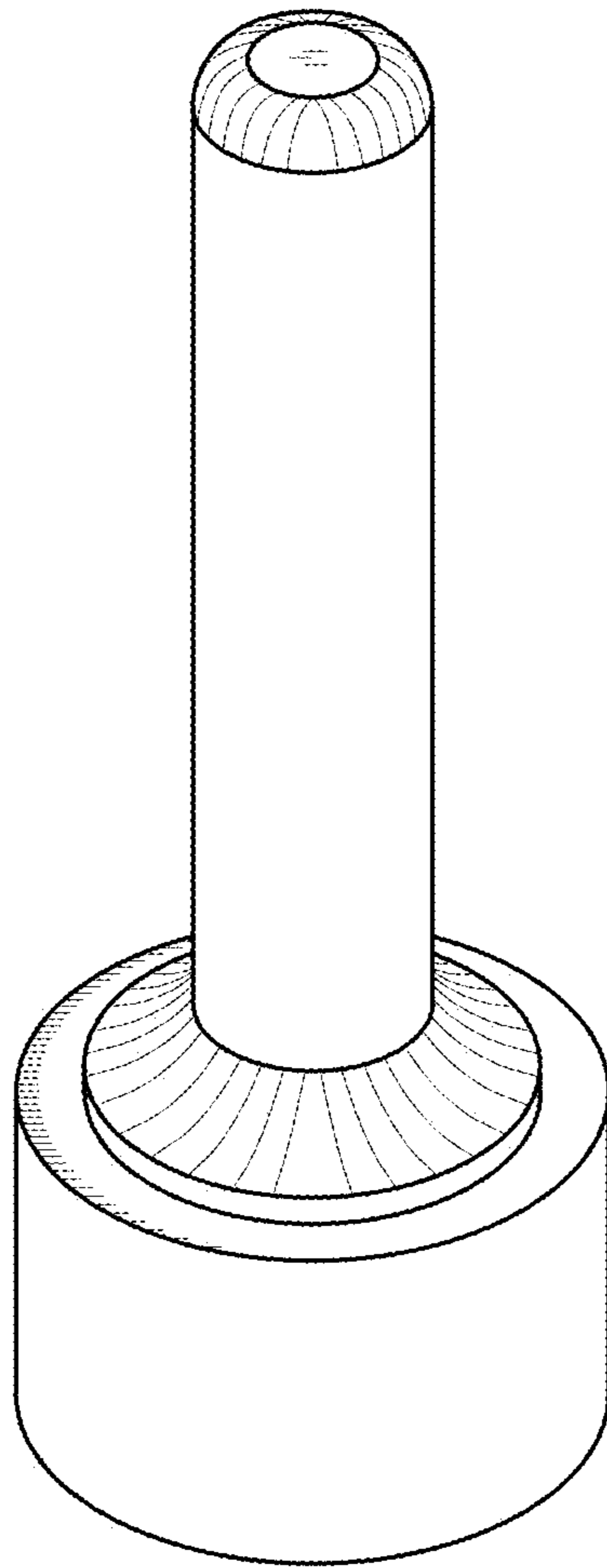


FIG. 1

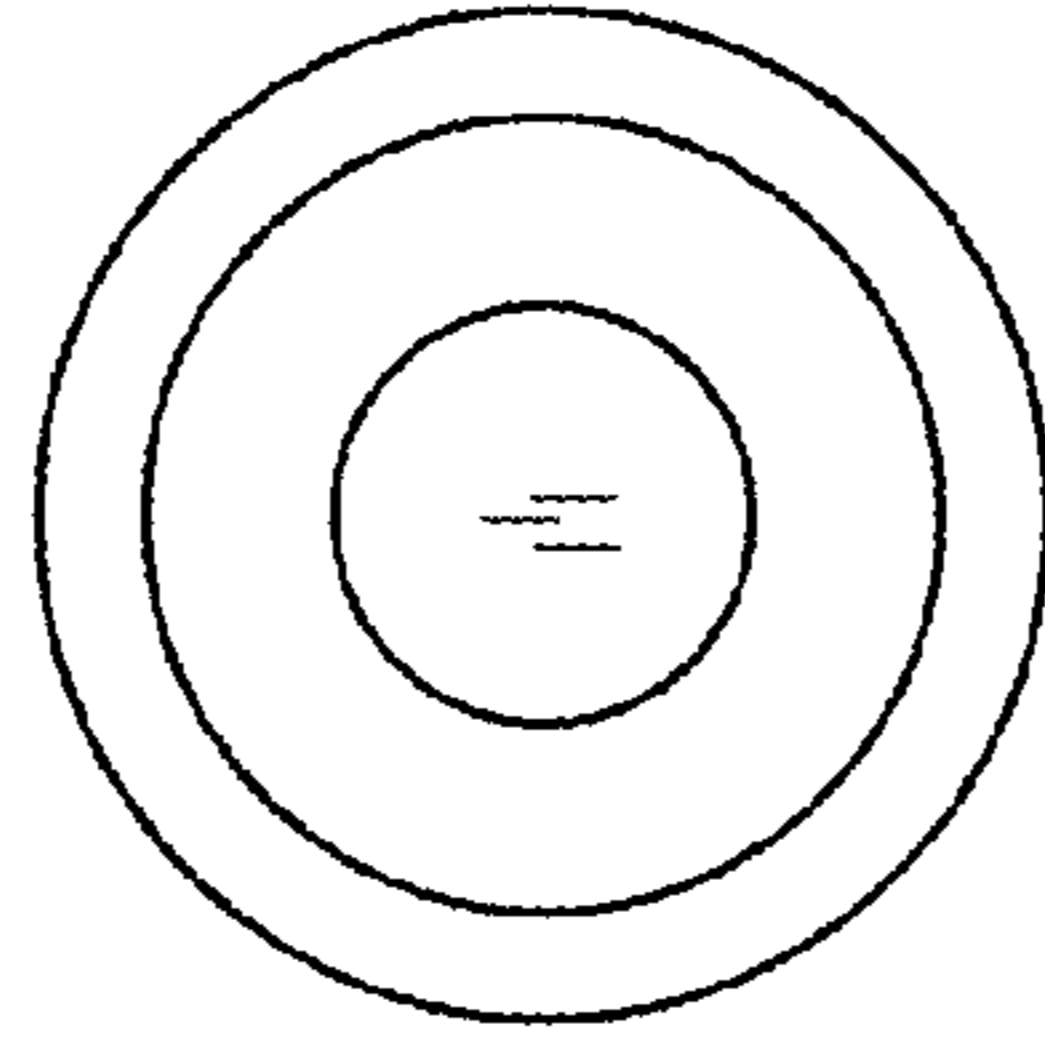


FIG. 2

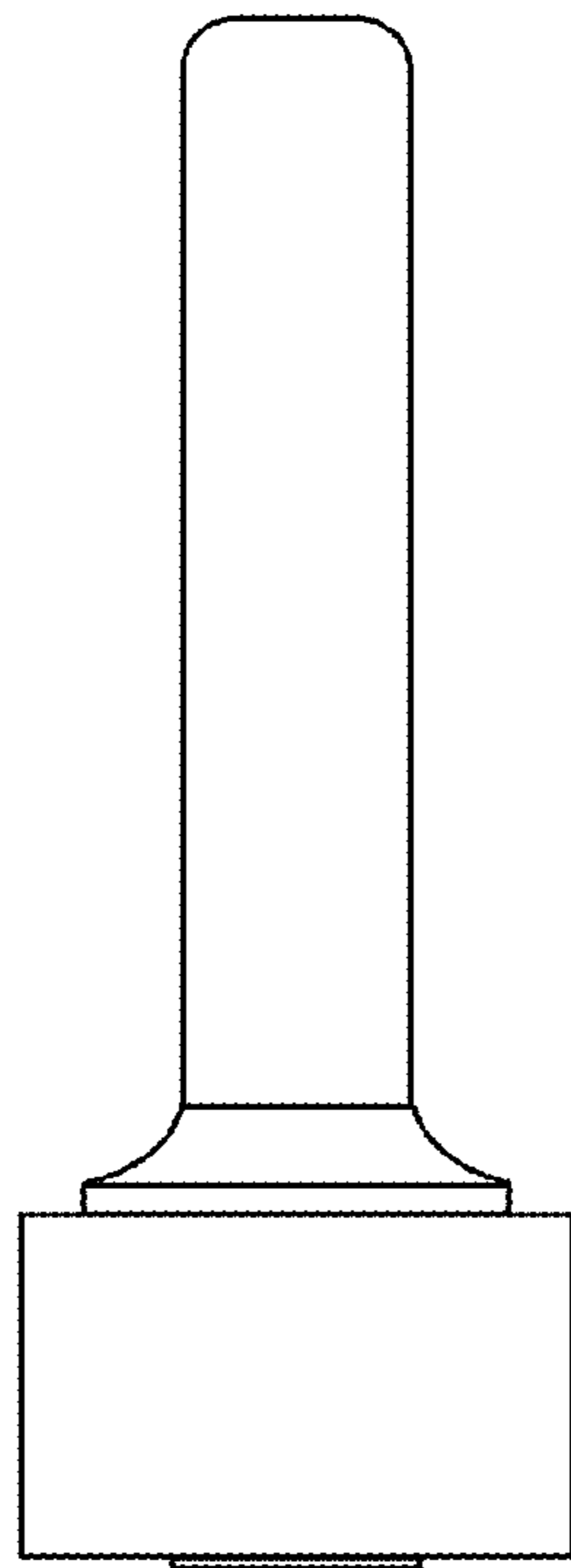


FIG. 3

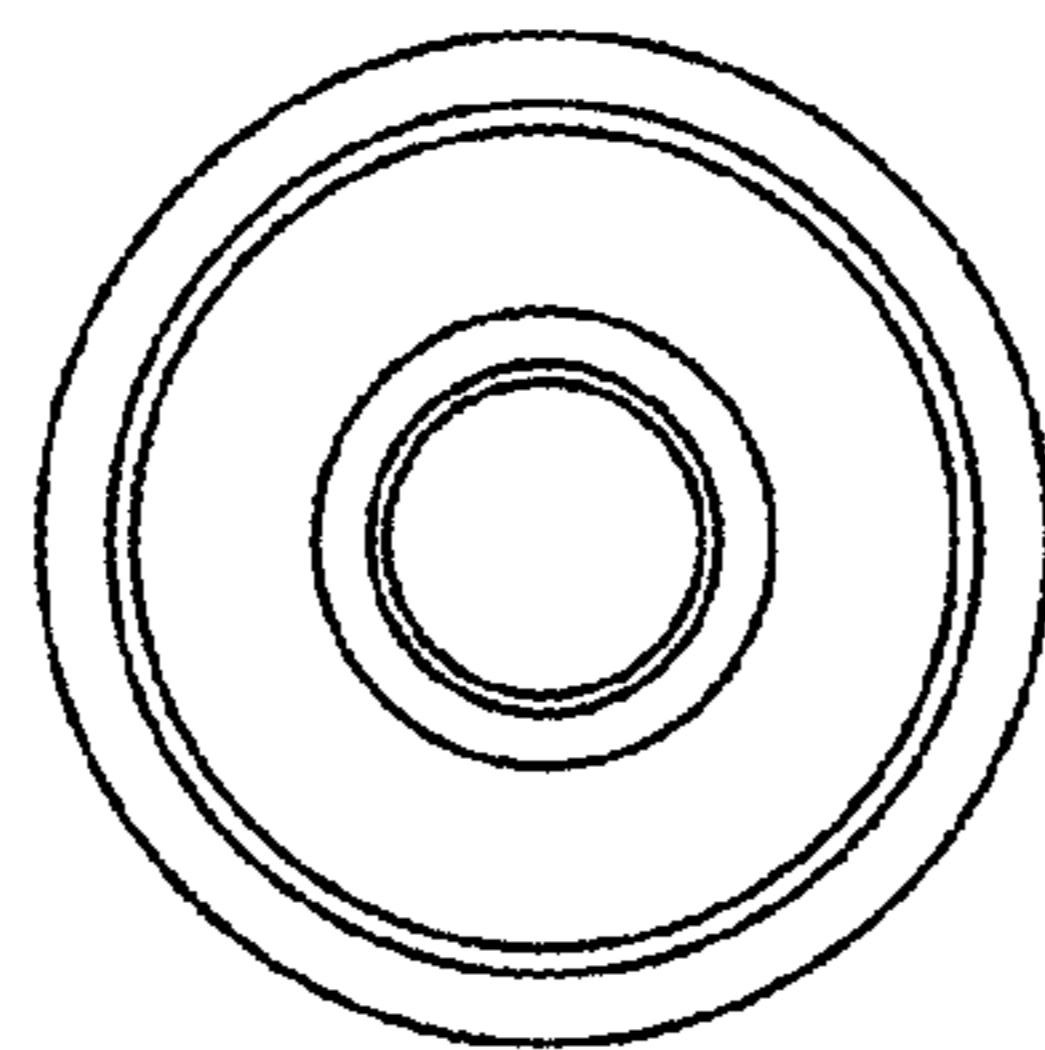


FIG. 4