



US00D708288S

(12) **United States Design Patent**  
**Bero**

(10) **Patent No.:** **US D708,288 S**

(45) **Date of Patent:** **\*\* Jul. 1, 2014**

(54) **COMPACT RIFLE**

(71) Applicant: **Tim Shawn Bero**, Vernonia, OR (US)

(72) Inventor: **Tim Shawn Bero**, Vernonia, OR (US)

(\*\*) Term: **14 Years**

(21) Appl. No.: **29/449,398**

(22) Filed: **Mar. 15, 2013**

(51) **LOC (10) Cl.** ..... **22-01**

(52) **U.S. Cl.**

USPC ..... **D22/103**

(58) **Field of Classification Search**

USPC ..... D22/103, 18; 42/71.01; 89/40.06,  
89/41.19, 37.04, 33.04, 191.01, 200-204;  
124/67, 66, 72, 74; D21/572-575

See application file for complete search history.

(56) **References Cited**

**U.S. PATENT DOCUMENTS**

3,198,076	A *	8/1965	Stoner	.....	89/128
5,622,000	A *	4/1997	Marlowe	.....	42/117
8,468,929	B2 *	6/2013	Larson et al.	.....	89/193
8,661,963	B2 *	3/2014	Patel	.....	89/199

8,667,882	B1 *	3/2014	Larson et al.	.....	89/193
8,667,883	B1 *	3/2014	Larson et al.	.....	89/193
2005/0262752	A1 *	12/2005	Robinson et al.	.....	42/71.01

\* cited by examiner

*Primary Examiner* — Michael A Pratt

(74) *Attorney, Agent, or Firm* — Bennet K. Langlotz;  
Langlotz Patent & Trademark Works, Inc.

(57) **CLAIM**

The ornamental design for a compact rifle, as shown and described.

**DESCRIPTION**

FIG. 1 is a top rear perspective view of a compact rifle showing my new design with a stock, grip, magazine, and barrel attached thereto;

FIG. 2 is a top rear perspective view thereof;

FIG. 3 is a top front perspective view thereof;

FIG. 4 is a left side view thereof;

FIG. 5 is a right side view thereof;

FIG. 6 is a top view thereof;

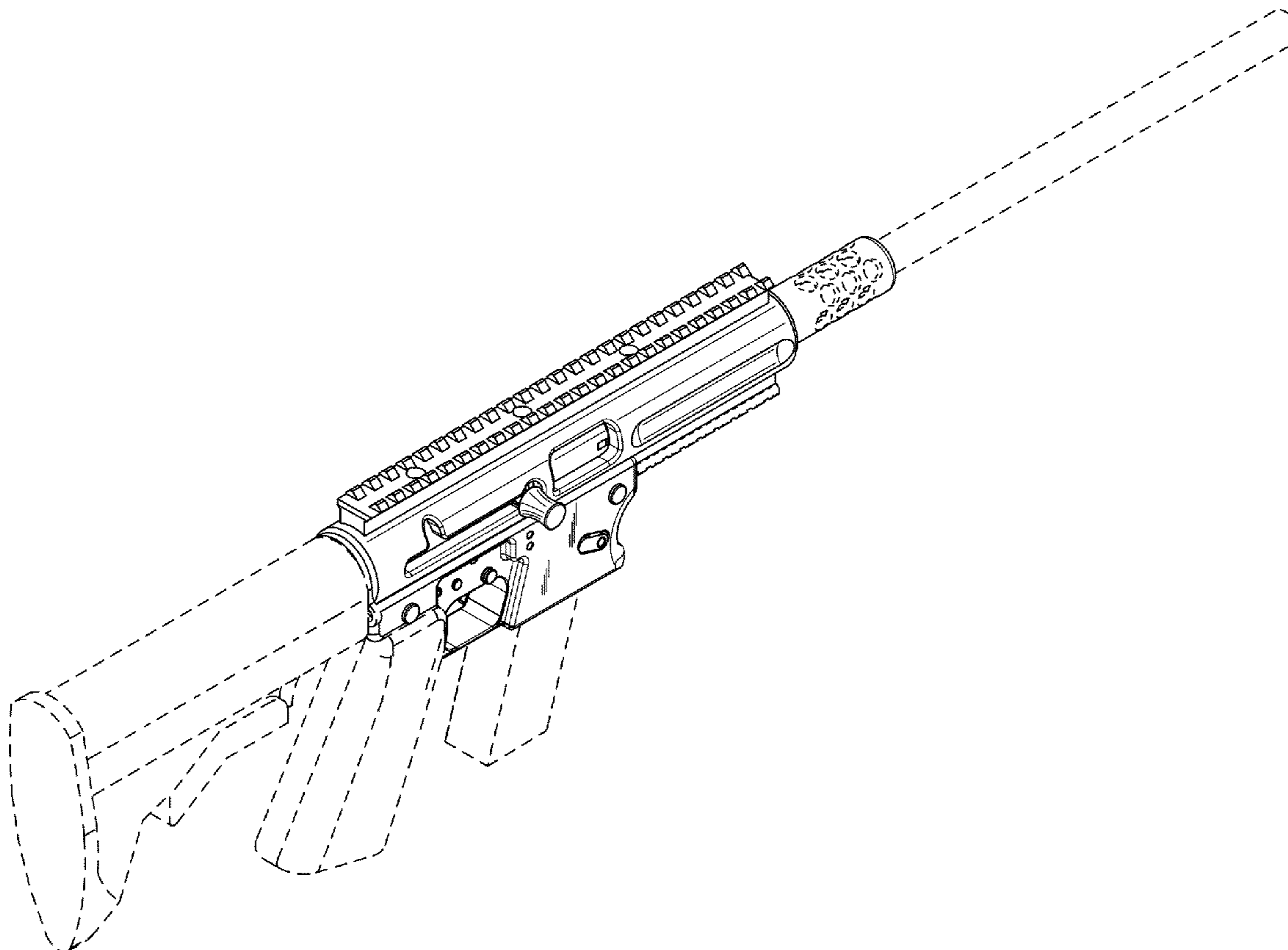
FIG. 7 is a bottom view thereof;

FIG. 8 is a front view thereof; and,

FIG. 9 is a rear view thereof.

The broken lines form no part of the claimed design.

**1 Claim, 4 Drawing Sheets**



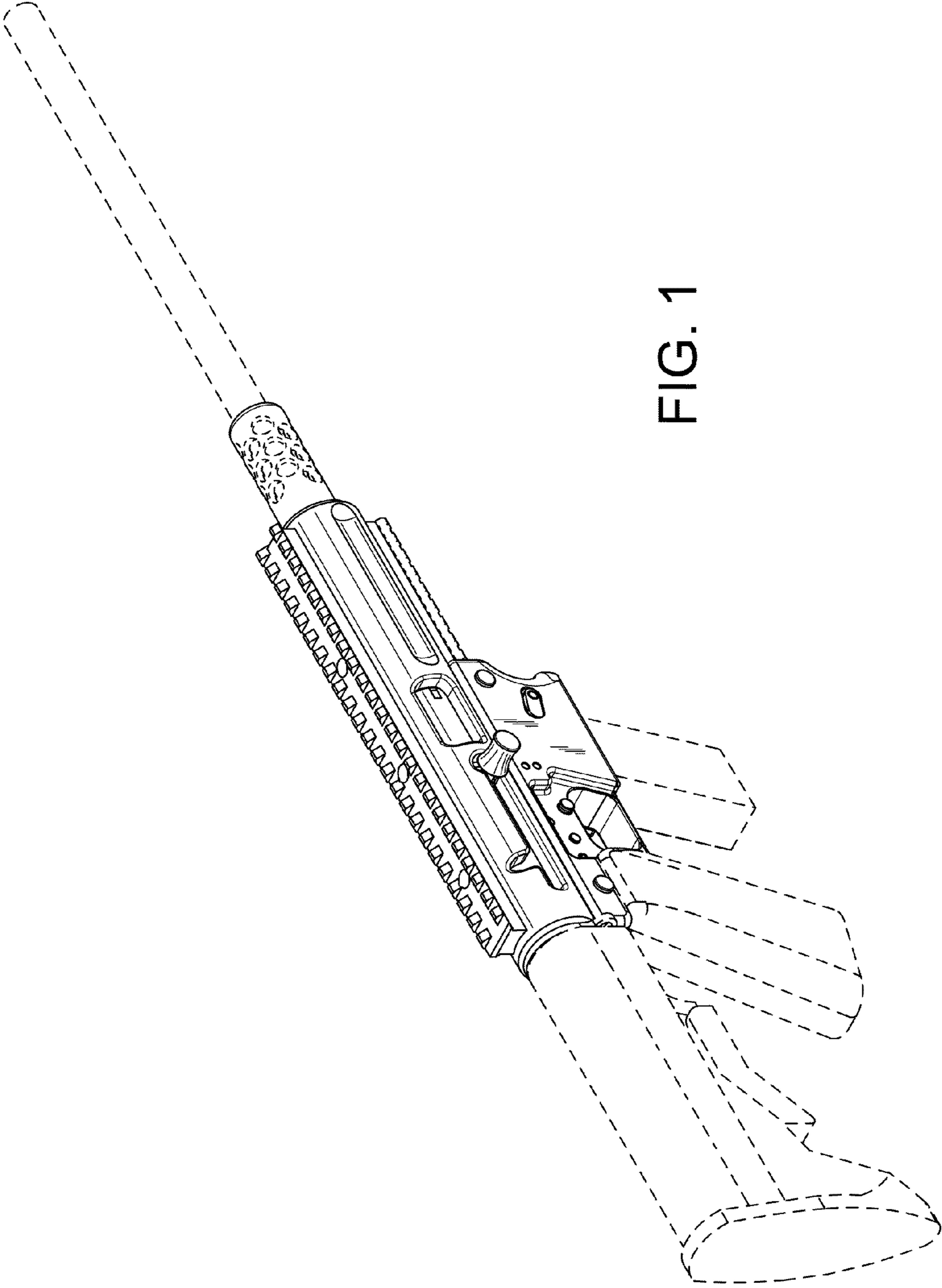
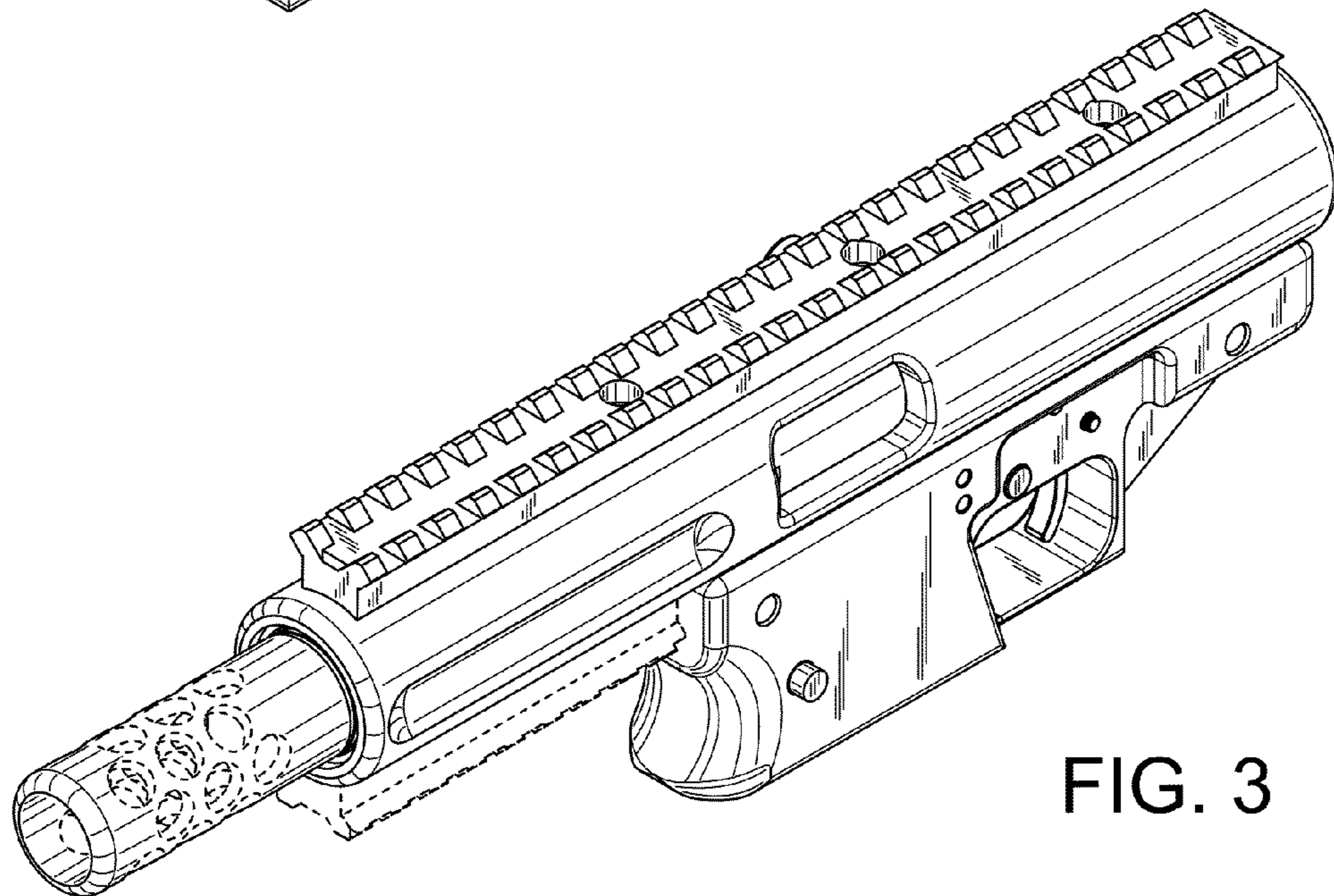
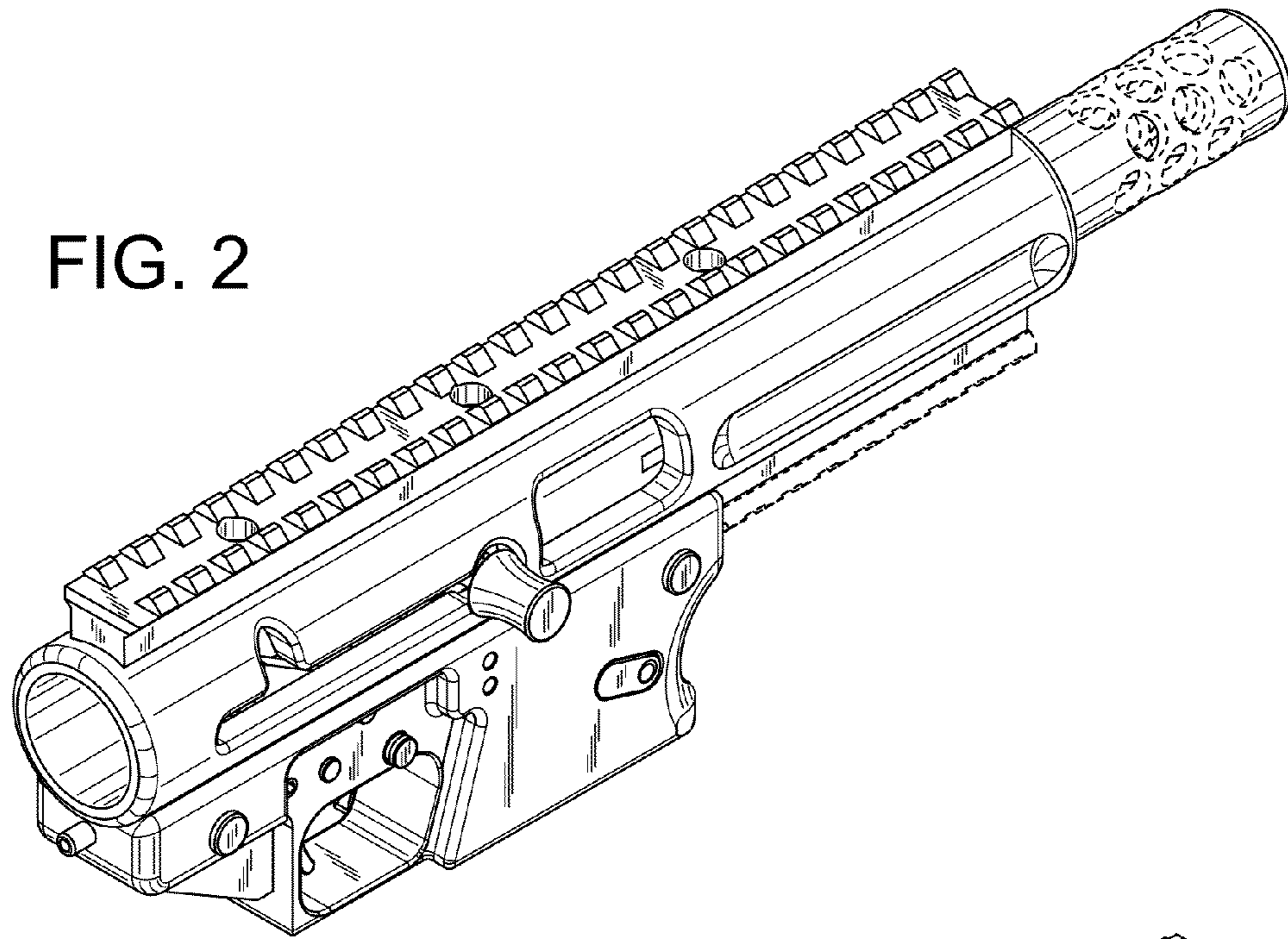


FIG. 1



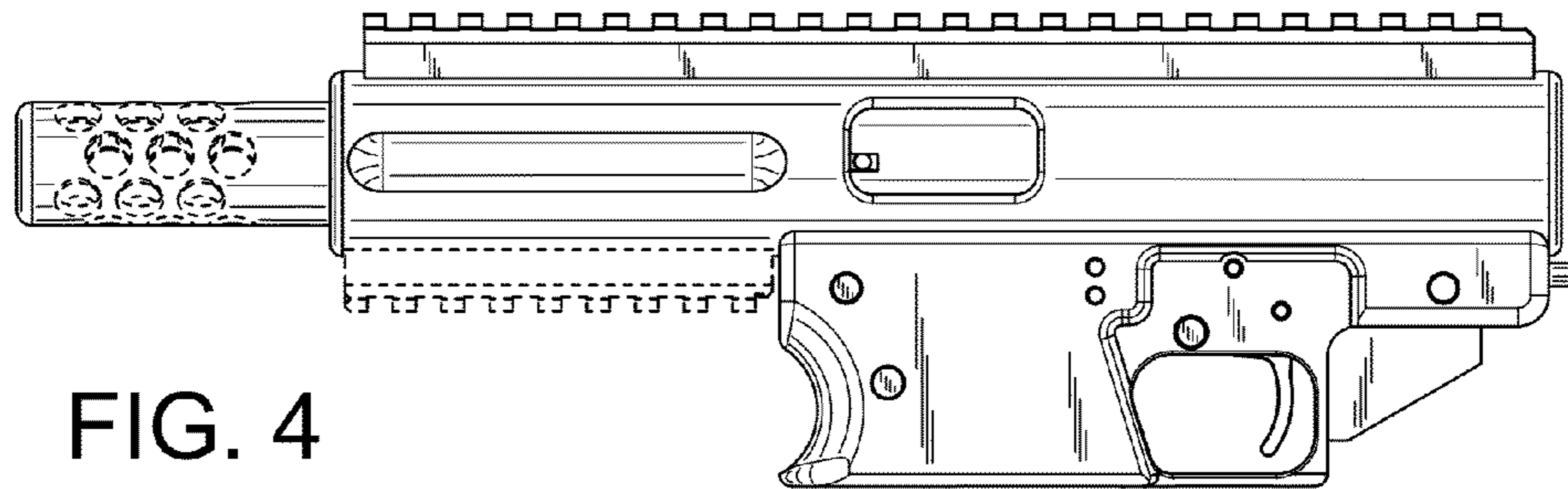


FIG. 4

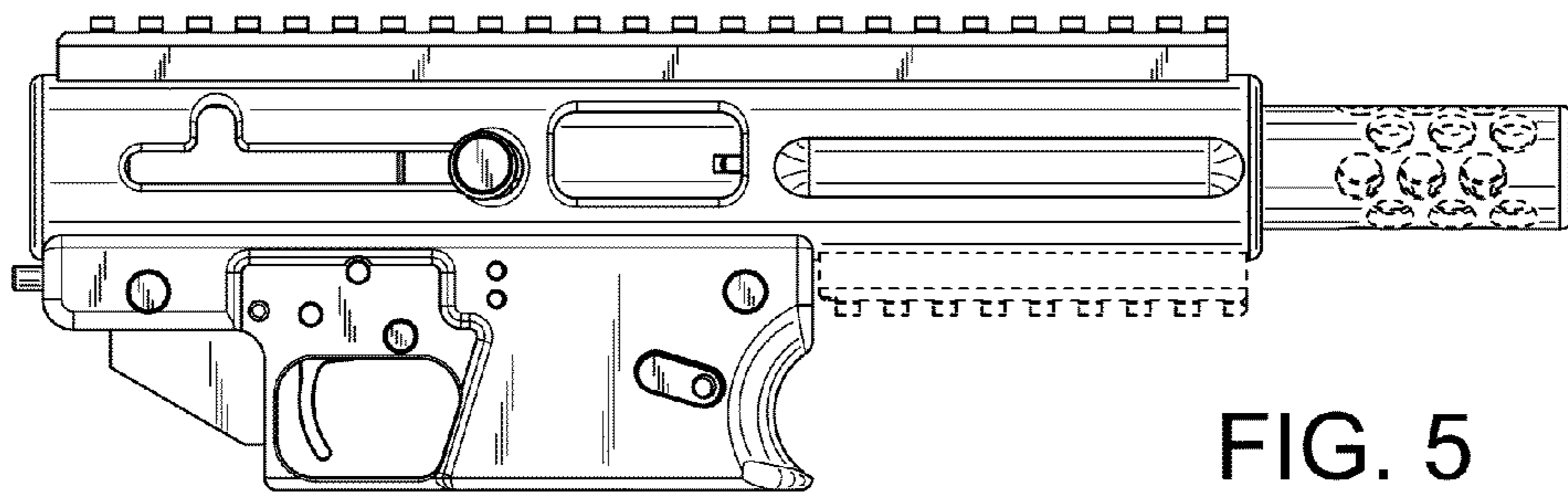


FIG. 5

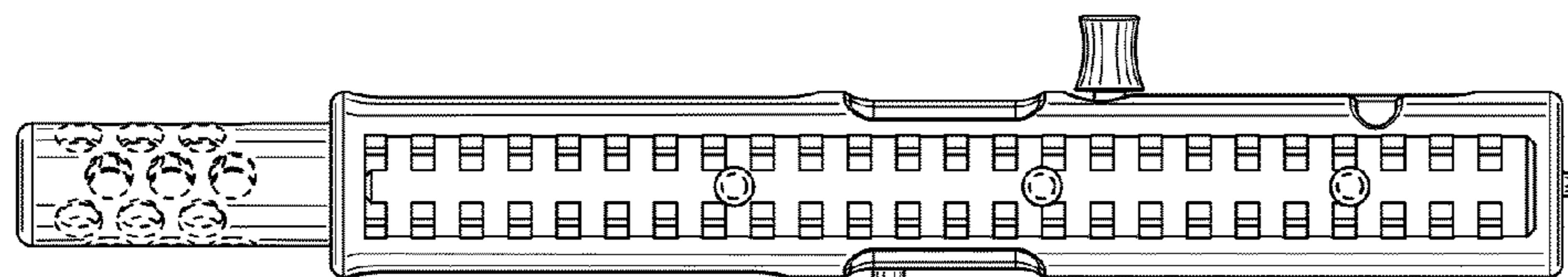


FIG. 6

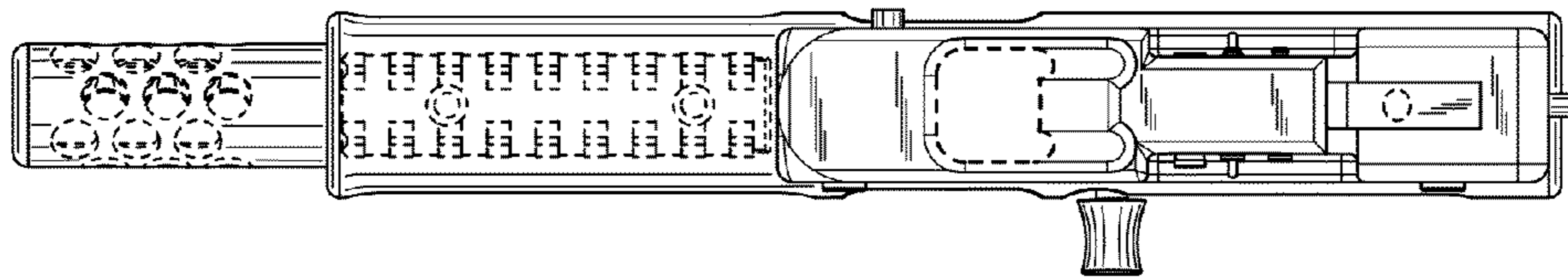


FIG. 7

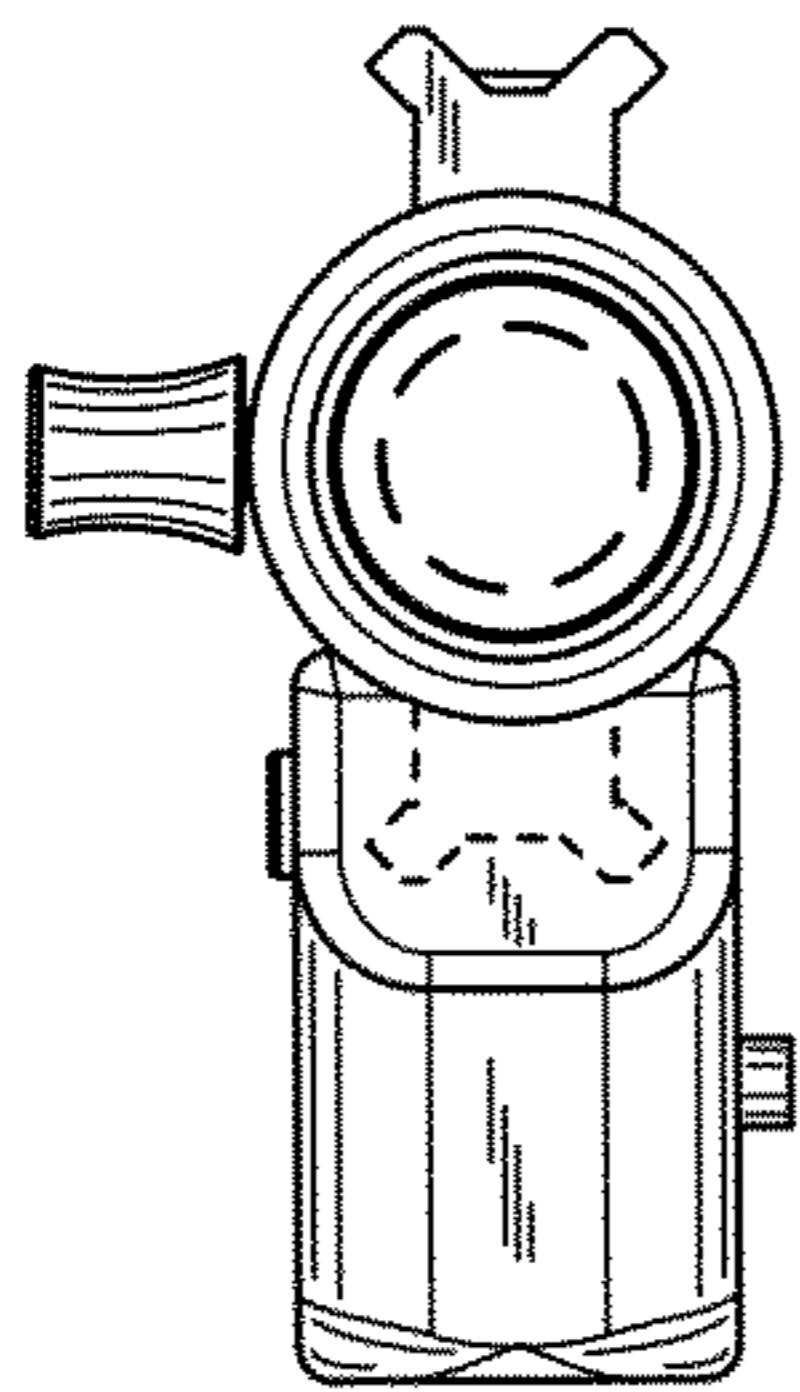


FIG. 8

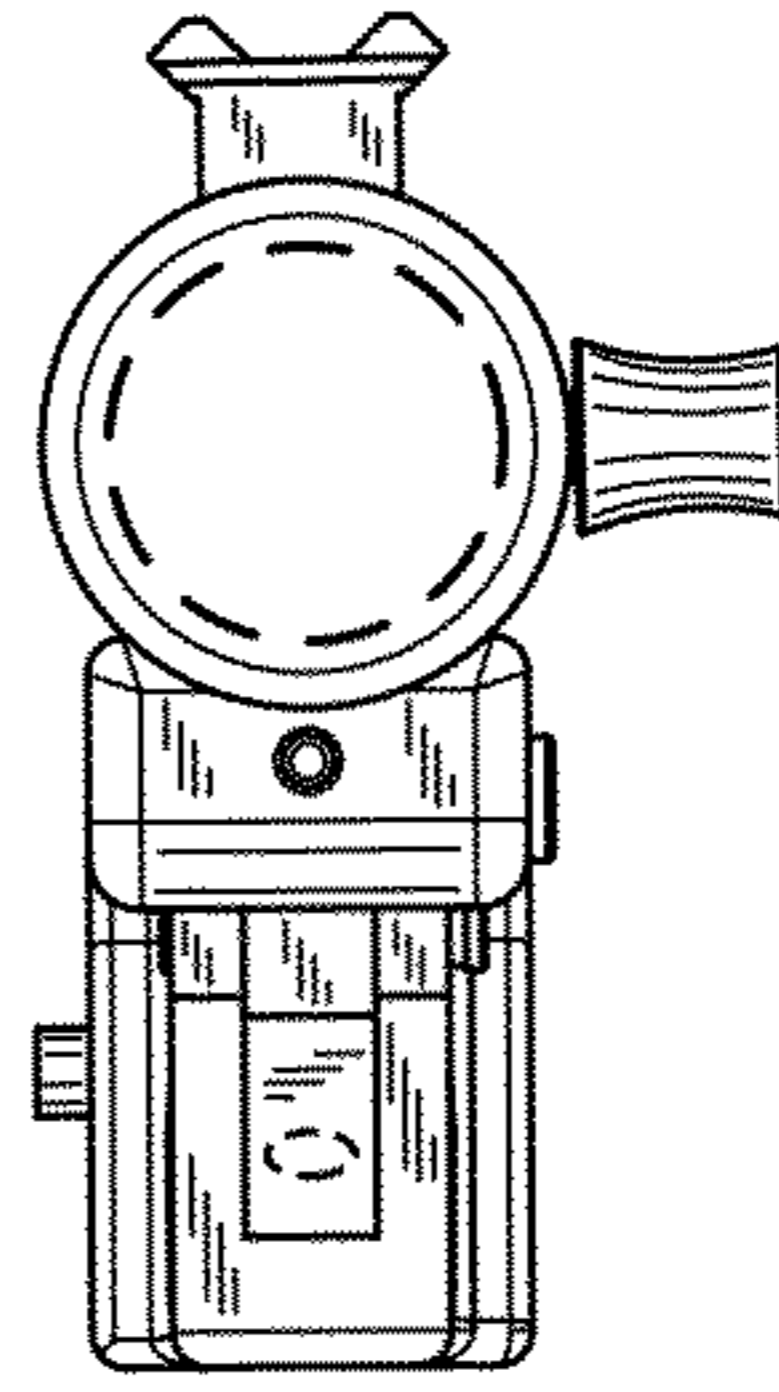


FIG. 9