



US00D708282S

(12) **United States Design Patent**
Oldknow

(10) **Patent No.:** **US D708,282 S**
(45) **Date of Patent:** **** Jul. 1, 2014**

(54) **GOLF CLUB HEAD**
(71) Applicant: **NIKE, Inc.**, Beaverton, OR (US)
(72) Inventor: **Andrew G. V. Oldknow**, Beaverton, OR (US)
(73) Assignee: **NIKE, Inc.**, Beaverton, OR (US)
(**) Term: **14 Years**

6,554,719 B2 4/2003 Peters et al.
6,554,722 B2 4/2003 Erickson et al.
D492,377 S 6/2004 Roach et al.
6,832,962 B2 12/2004 Stites et al.
6,918,840 B2 7/2005 Stites et al.
6,935,967 B2 8/2005 Mahaffey et al.
D526,038 S 8/2006 Kelley
7,153,222 B2 12/2006 Gilbert et al.
D544,059 S * 6/2007 Roberts et al. D21/759
D572,327 S 7/2008 Diaz et al.

(Continued)

(21) Appl. No.: **29/477,437**
(22) Filed: **Dec. 20, 2013**
(51) **LOC (10) Cl.** **21-02**
(52) **U.S. Cl.**
USPC **D21/759**
(58) **Field of Classification Search**
CPC A63B 53/00; A63B 53/04; A63B 53/047;
A63B 53/0475
USPC D21/747-751, 759; 473/324-331, 350
See application file for complete search history.

OTHER PUBLICATIONS

Nike Golf Catalog, Edwin Watts Golf Official 2011 Buyers Guide, p. 29, published 2011.

(Continued)

Primary Examiner — Mitchell Siegel
(74) *Attorney, Agent, or Firm* — Banner & Witcoff, Ltd.

(57) **CLAIM**
The ornamental design for a golf club head, as shown and described.

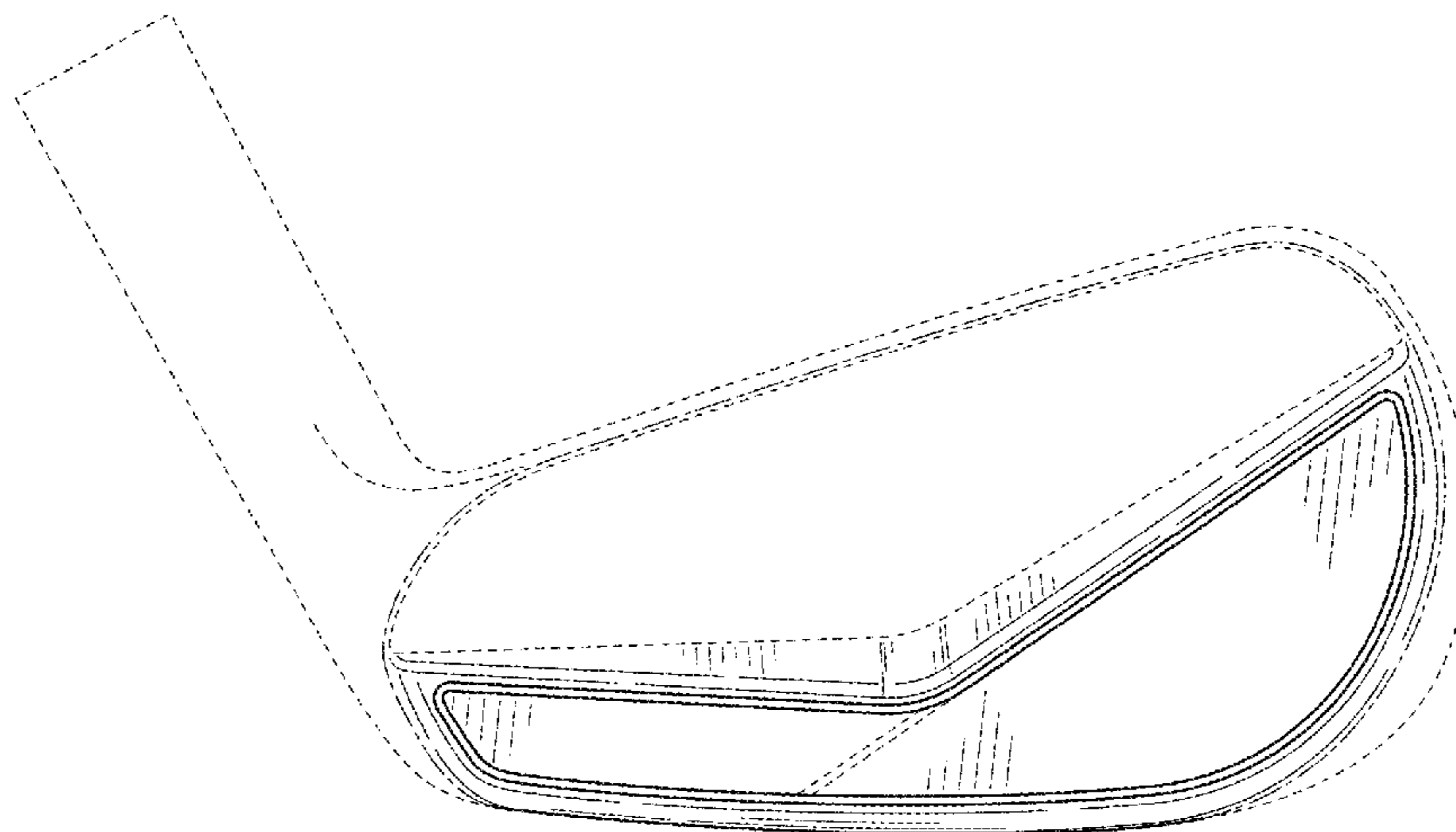
(56) **References Cited**
U.S. PATENT DOCUMENTS

3,655,188	A	4/1972	Solheim	
4,635,941	A	1/1987	Yoneyama	
4,900,028	A	2/1990	Antonious	
4,907,806	A	3/1990	Antonious	
D320,056	S	9/1991	Antonious	
D322,113	S	12/1991	Antonious	
D322,114	S	12/1991	Antonious	
D327,109	S *	6/1992	Hardman et al.	D21/748
D362,885	S *	10/1995	Blough et al.	D21/747
D364,435	S *	11/1995	Wood	D21/750
D370,514	S *	6/1996	Blough et al.	D21/750
5,544,885	A	8/1996	Besnard et al.	
D379,207	S	5/1997	Besnard et al.	
5,643,112	A	7/1997	Besnard et al.	
D422,658	S	4/2000	Besnard et al.	
D441,821	S *	5/2001	Turner	D21/747
6,358,158	B2	3/2002	Peters et al.	

DESCRIPTION

FIG. 1 is a toe end perspective rear view of a golf club head showing my new design;
FIG. 2 is a rear view thereof;
FIG. 3 is a heel end view thereof;
FIG. 4 is a toe end view thereof;
FIG. 5 is a bottom view thereof;
FIG. 6 is a top view thereof; and,
FIG. 7 is a front view thereof.
The broken lines immediately adjacent to the shaded area represent unclaimed boundaries of the design. The broken lines within the shaded area and the broken lines showing the remainder of the golf club are for environmental purposes only and form no part of the claimed design.

1 Claim, 3 Drawing Sheets



(56)

References Cited

U.S. PATENT DOCUMENTS

D572,328 S 7/2008 Diaz et al.
 D596,251 S 7/2009 Guerrette et al.
 D597,157 S 7/2009 Wallin et al.
 D597,616 S 8/2009 Ines et al.
 D598,061 S 8/2009 Barez et al.
 D598,967 S * 8/2009 Kim et al. D21/747
 D598,968 S * 8/2009 Wieland D21/747
 D614,710 S 4/2010 Kim et al.
 D618,293 S * 6/2010 Foster et al. D21/747
 7,744,487 B2 6/2010 Tavares et al.
 D629,059 S * 12/2010 Foster D21/747
 D631,110 S 1/2011 Kim et al.
 D643,895 S 8/2011 Wieland
 D647,986 S 11/2011 Atwell et al.
 D652,093 S * 1/2012 Foster D21/747
 D663,369 S * 7/2012 Foster D21/749

D669,947 S 10/2012 Kim et al.
 D674,852 S * 1/2013 Hettinger et al. D21/748
 D682,959 S 5/2013 Saraie et al.
 D682,962 S 5/2013 Llewellyn et al.
 8,506,423 B2 8/2013 Oldknow et al.
 D696,366 S 12/2013 Milo et al.
 D696,367 S 12/2013 Taylor et al.
 2005/0037860 A1 2/2005 Gilbert et al.

OTHER PUBLICATIONS

Nike Golf Catalog, Edwin Watts Golf Late Spring 2004, p. 35, published 2004.
 Nike Golf Catalog, Edwin Watts Golf Spring 2004, p. 39, published 2004.
 Nike Golf Catalog, Edwin Watts Golf Holiday 2010, p. 2, published 2010.

* cited by examiner

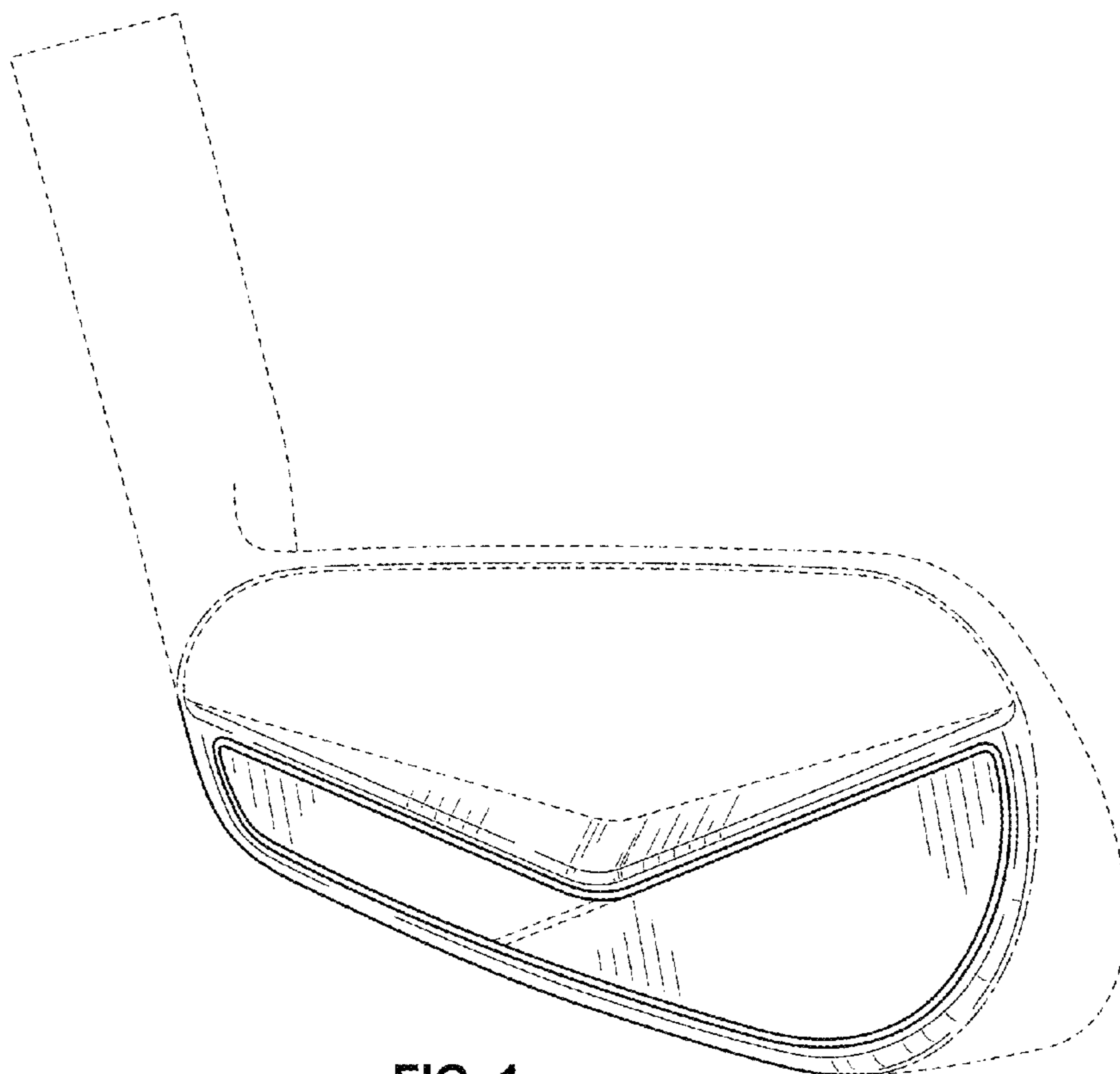


FIG. 1

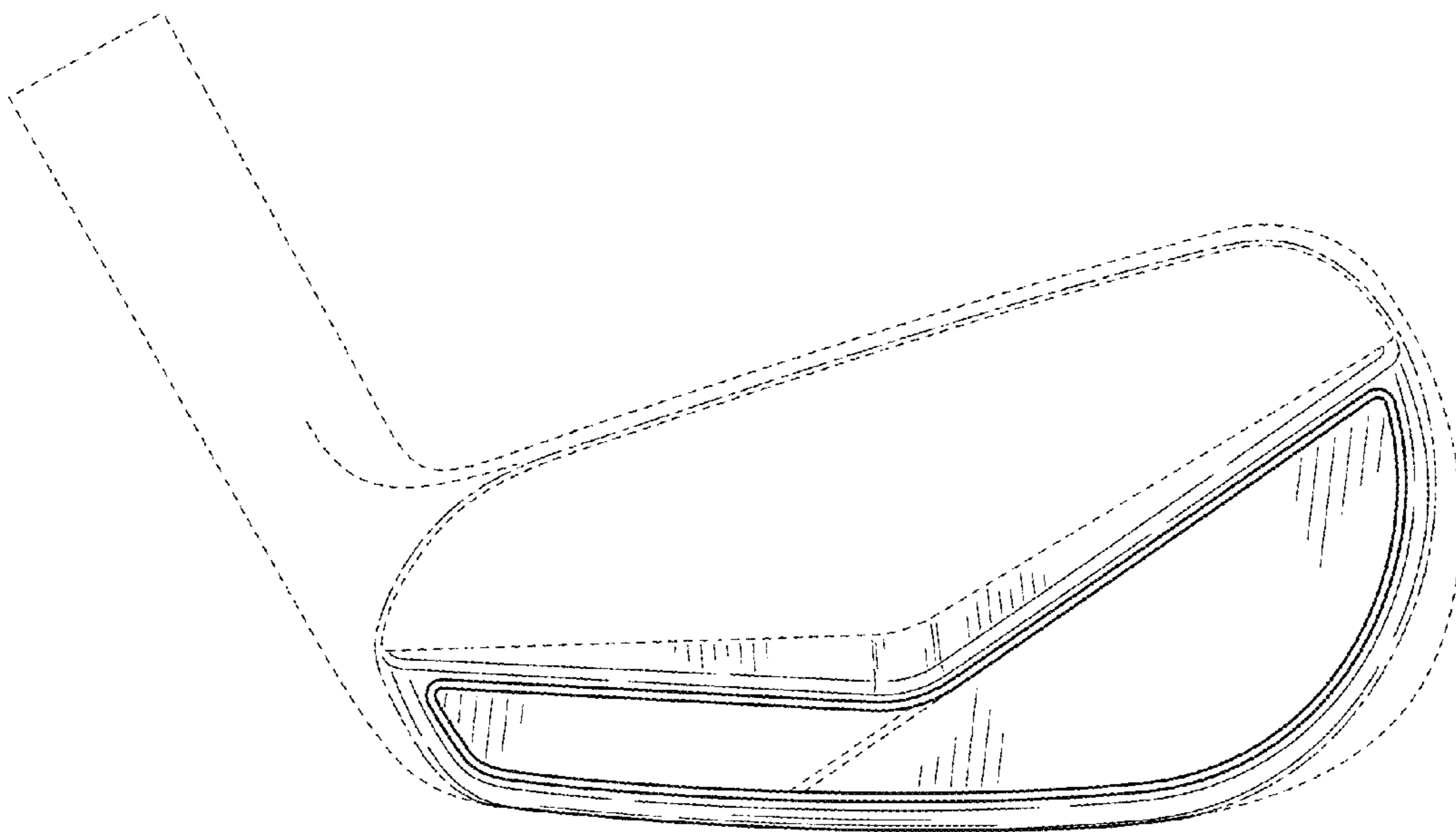


FIG. 2

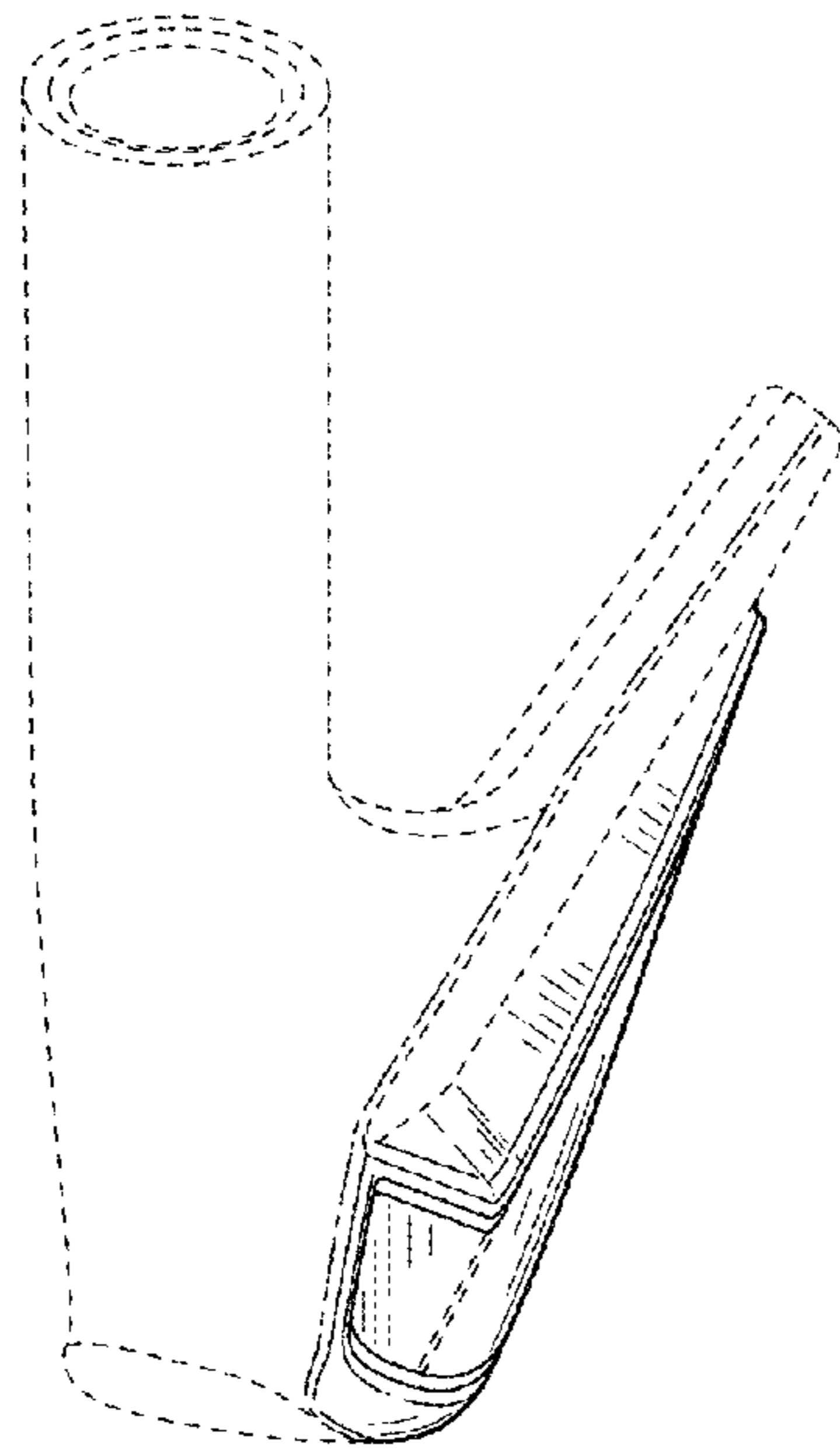


FIG. 3

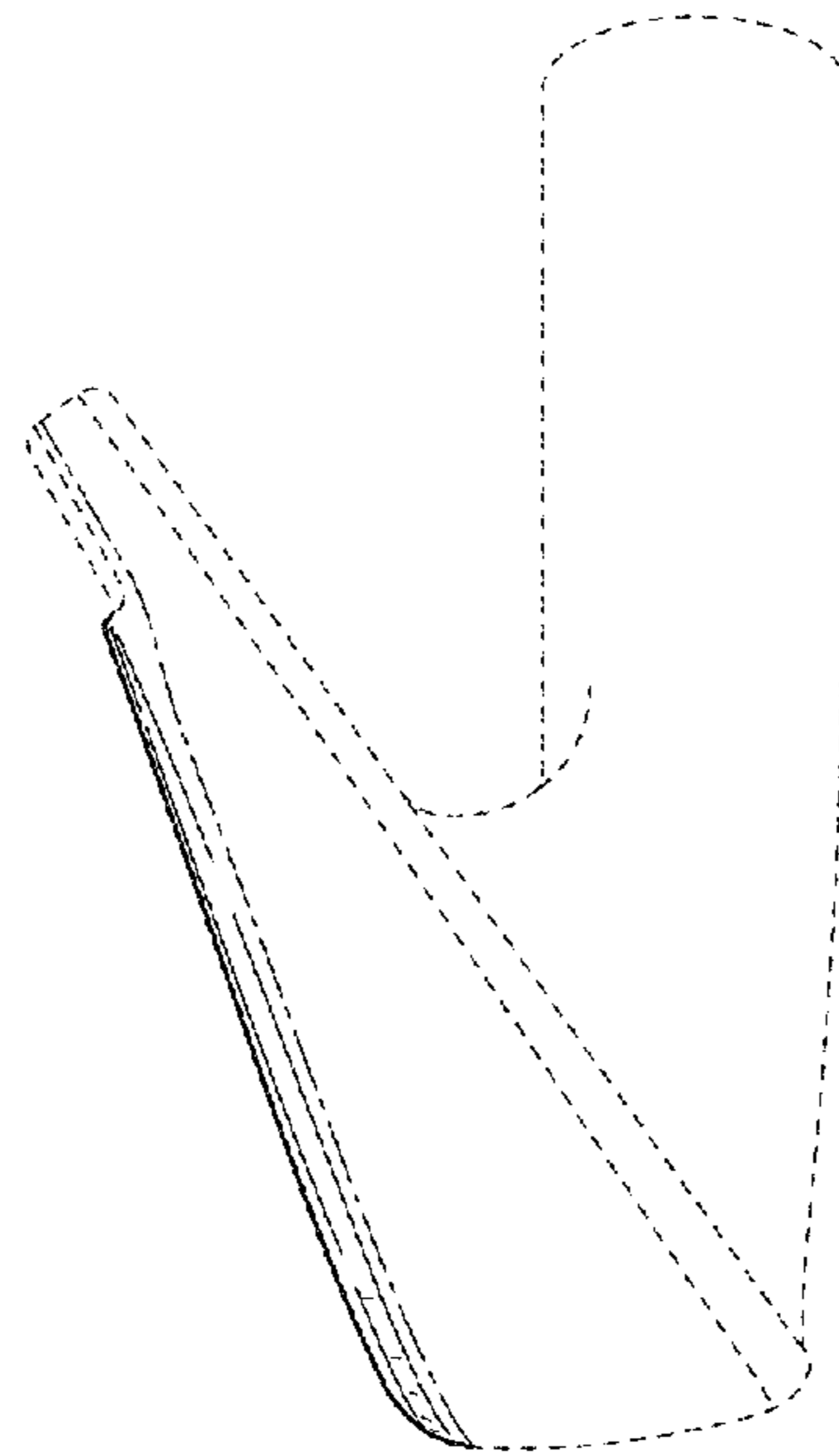


FIG. 4

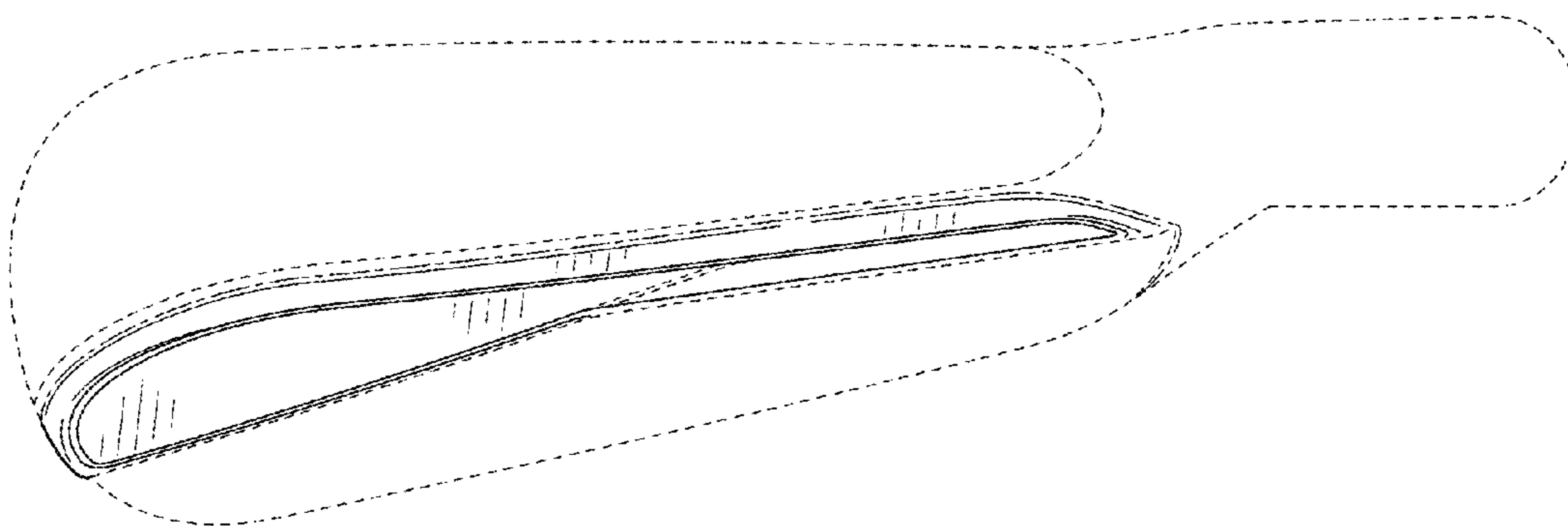


FIG. 5

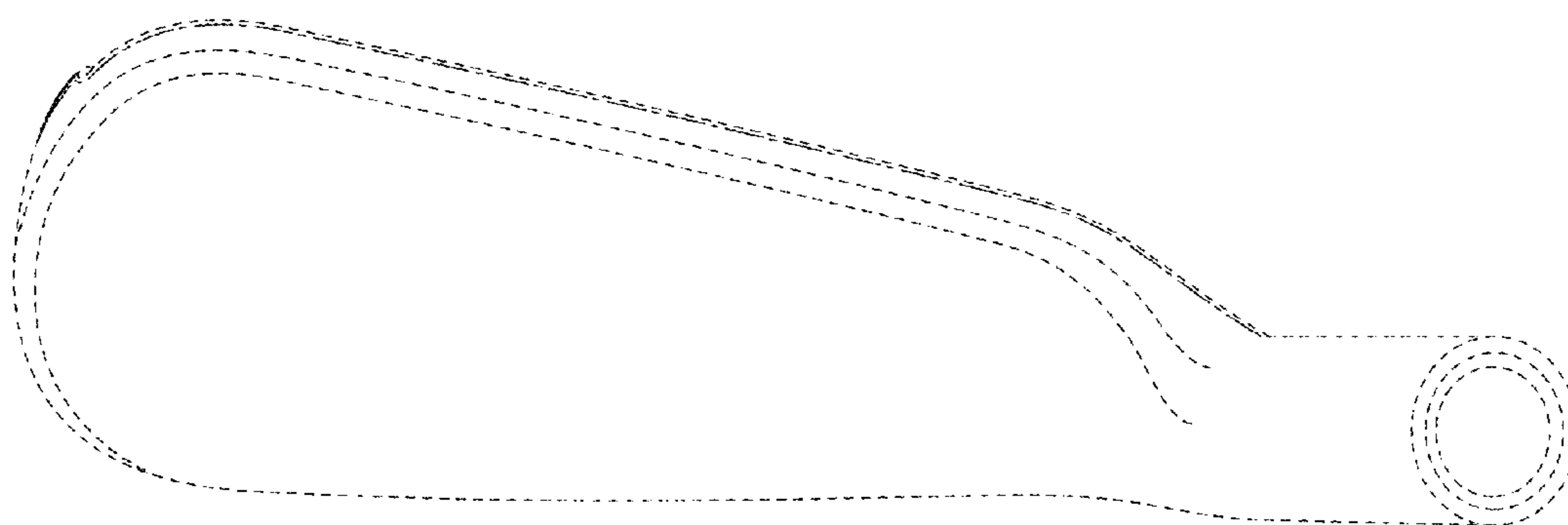


FIG. 6

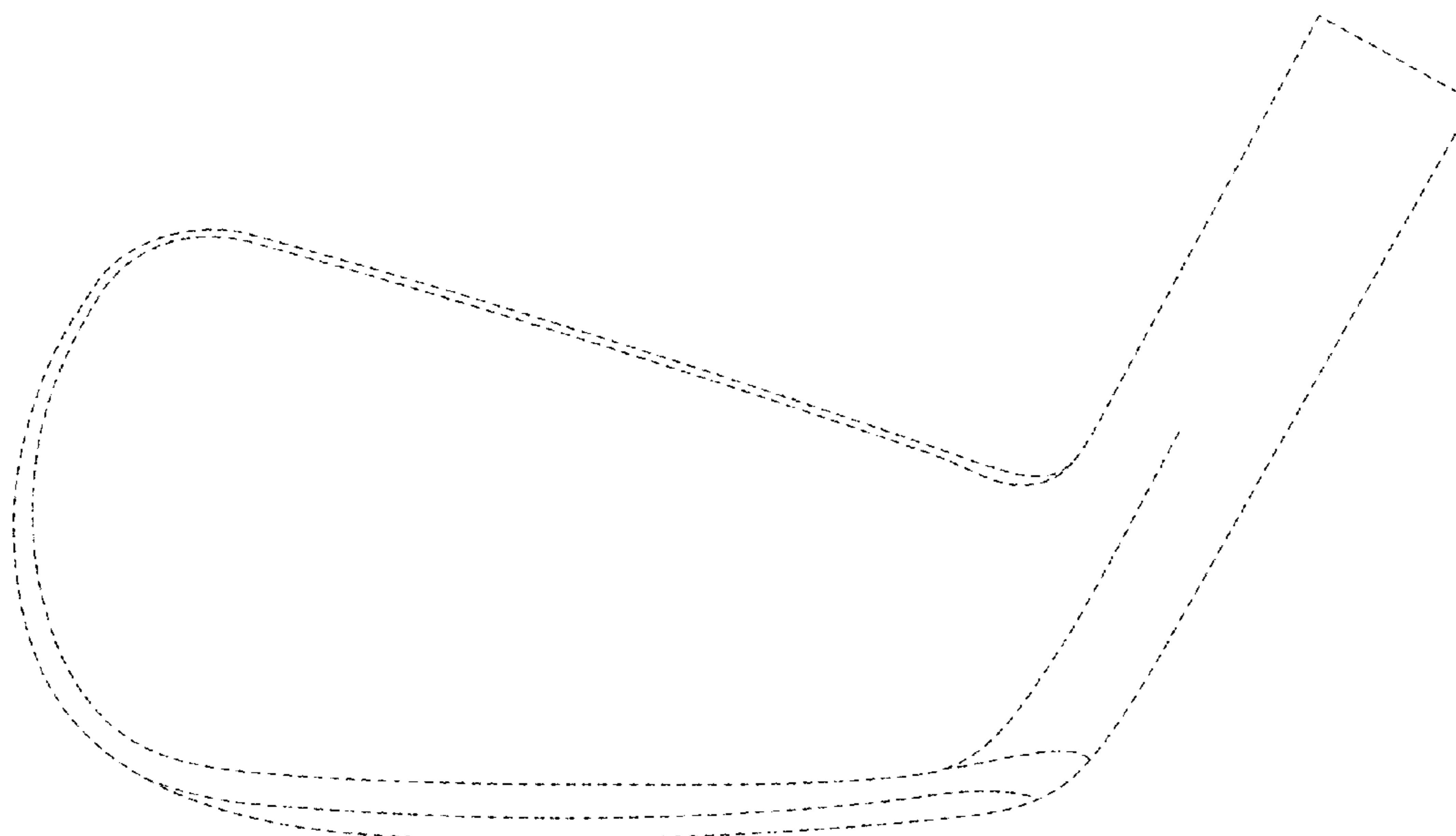


FIG. 7