



US00D708276S

(12) **United States Design Patent**  
**Myers**

(10) **Patent No.:** **US D708,276 S**

(45) **Date of Patent:** **\*\* Jul. 1, 2014**

(54) **GOLF PUTTER HEAD**

(71) Applicant: **Blake Myers**, Livermore, CA (US)

(72) Inventor: **Blake Myers**, Livermore, CA (US)

(73) Assignee: **Blake Myers**, Livermore, CA (US)

(\*\*) Term: **14 Years**

(21) Appl. No.: **29/458,275**

(22) Filed: **Jun. 18, 2013**

(51) **LOC (10) Cl.** ..... **21-02**

(52) **U.S. Cl.**  
USPC ..... **D21/743**

(58) **Field of Classification Search**  
CPC .. A63B 53/04; A63B 53/0487; A63B 53/065;  
A63B 2053/04  
USPC ..... D21/736-746, 759; 473/324-331,  
473/340-341, 251-256  
See application file for complete search history.

(56) **References Cited**

**U.S. PATENT DOCUMENTS**

D355,462 S \* 2/1995 Wyatt ..... D21/741  
D368,504 S \* 4/1996 Sommerhauser ..... D21/734

D565,138 S \* 3/2008 Wilson ..... D21/743  
D607,951 S \* 1/2010 Teramoto ..... D21/736  
D669,145 S \* 10/2012 Roland ..... D21/736  
2003/0144077 A1 \* 7/2003 Cullen ..... 473/340

\* cited by examiner

*Primary Examiner* — Mitchell Siegel

(74) *Attorney, Agent, or Firm* — Dergosits & Noah LLP

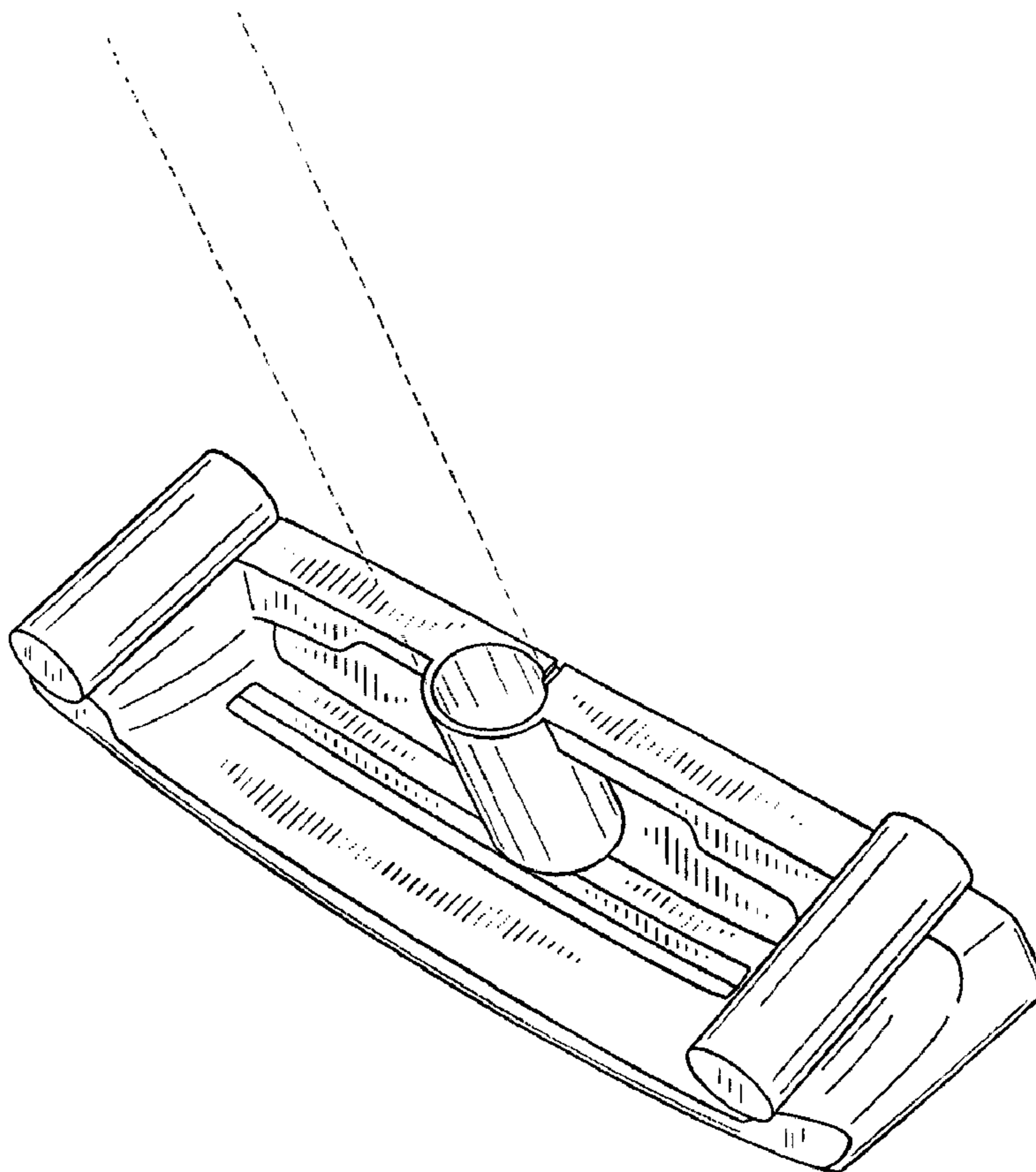
(57) **CLAIM**

The ornamental design for a golf putter head, as shown and described.

**DESCRIPTION**

FIG. 1 is a front perspective view of the golf putter head; FIG. 2 is a front view of the golf putter head of FIG. 1; FIG. 3 is a rear view of the golf putter head of FIG. 1; FIG. 4 is a front elevational view of the golf putter head of FIG. 1; FIG. 5 is a rear elevational view of the golf putter head of FIG. 1, opposite to the view shown in FIG. 4; FIG. 6 is a top plan view of the golf putter head of FIG. 1; and, FIG. 7 is a bottom view of the golf putter head of FIG. 1, opposite to the view shown in FIG. 6. The broken lines shown is included for the purpose of illustrating and forms no part of the claimed design.

**1 Claim, 3 Drawing Sheets**



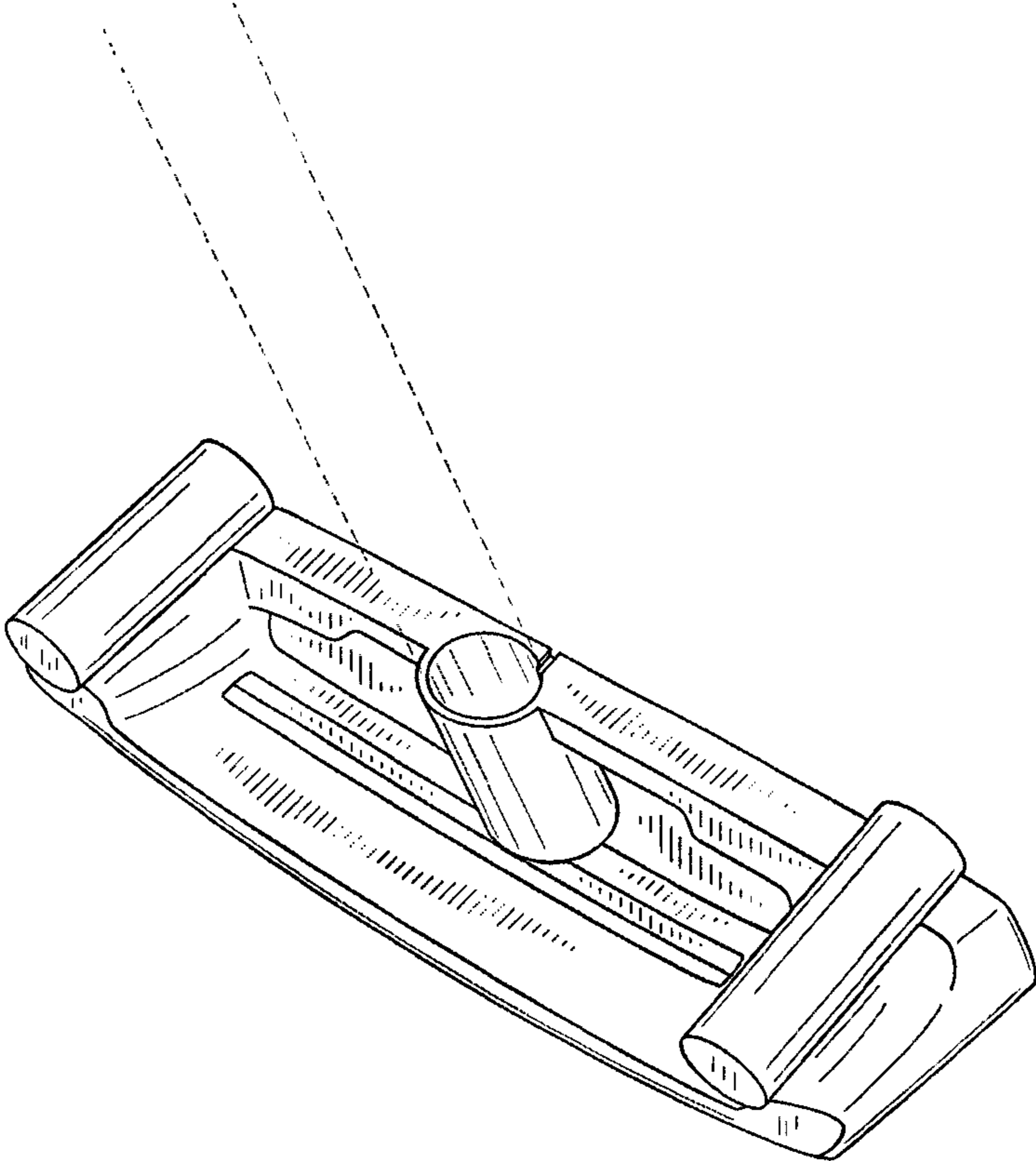


FIG. 1

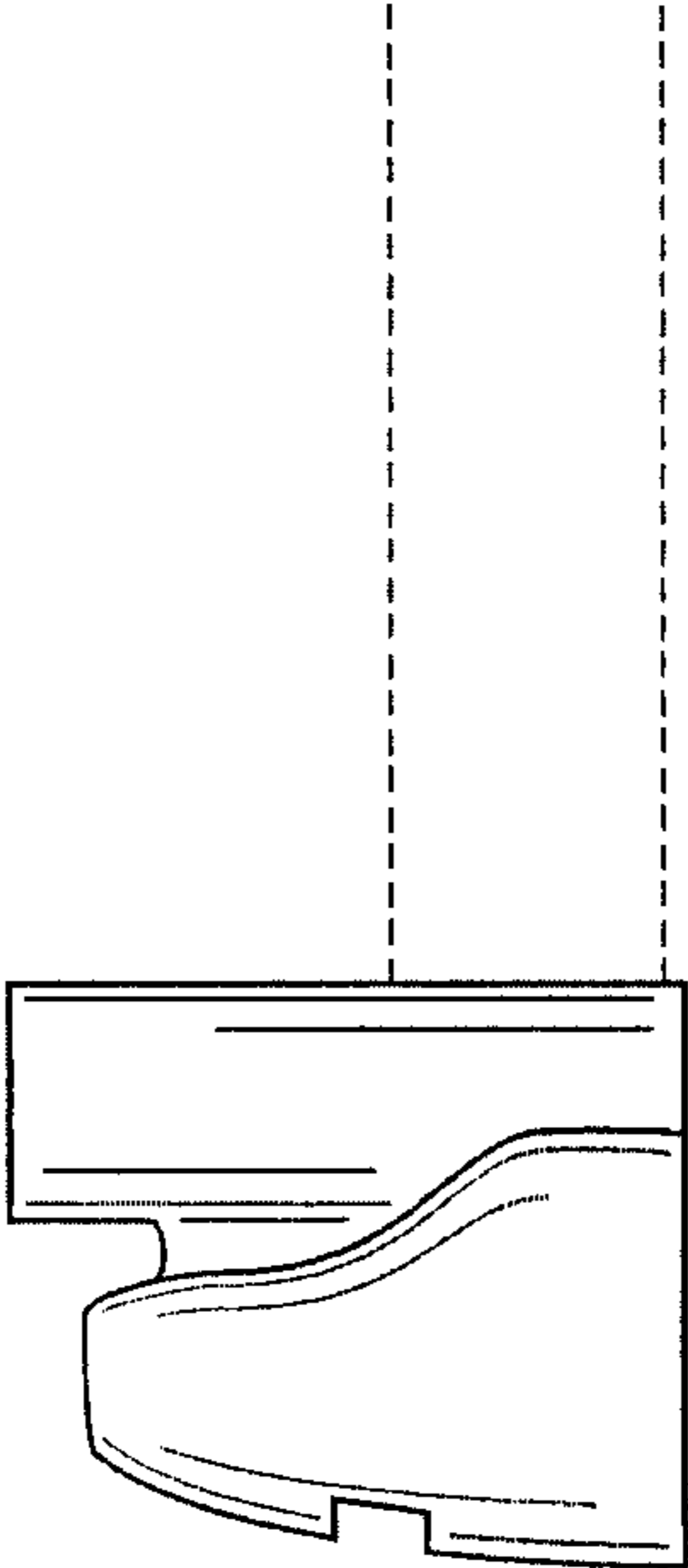


FIG. 2

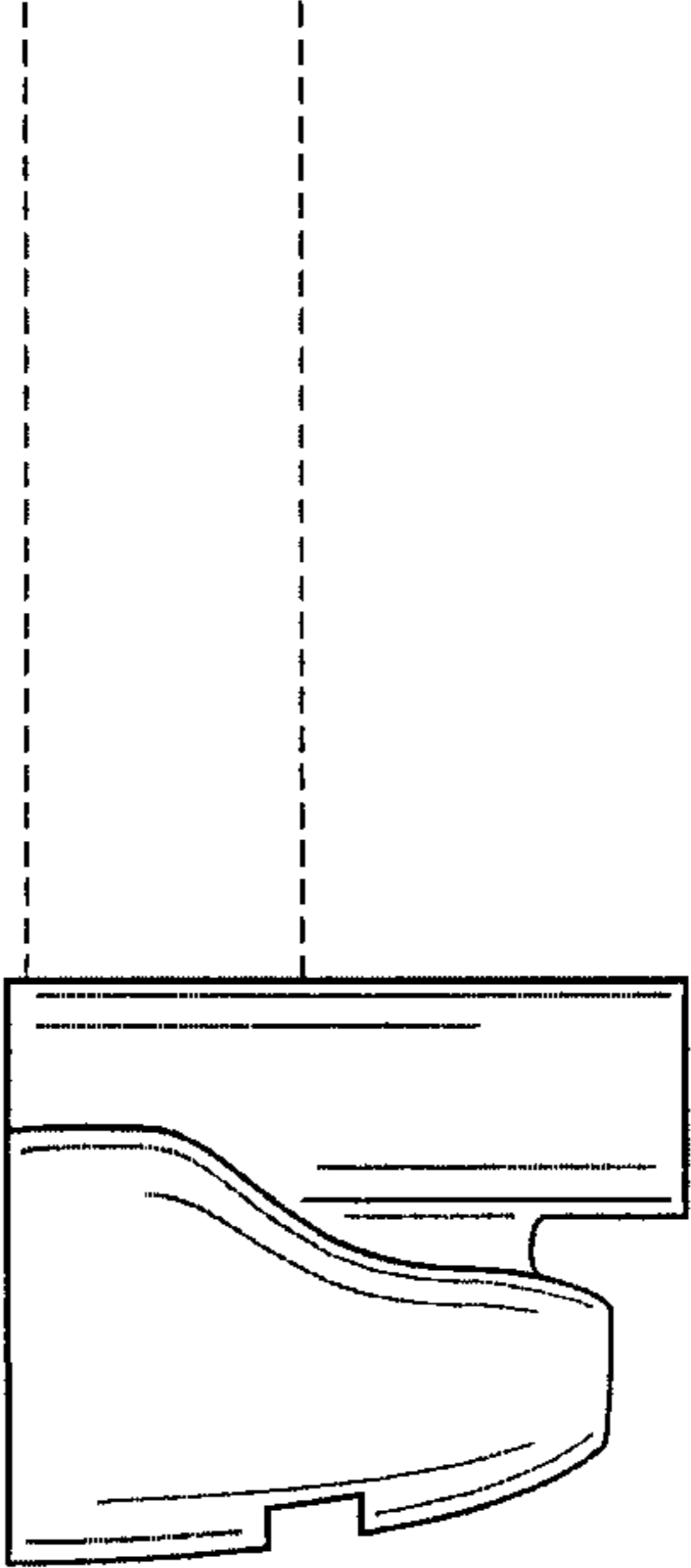


FIG. 3

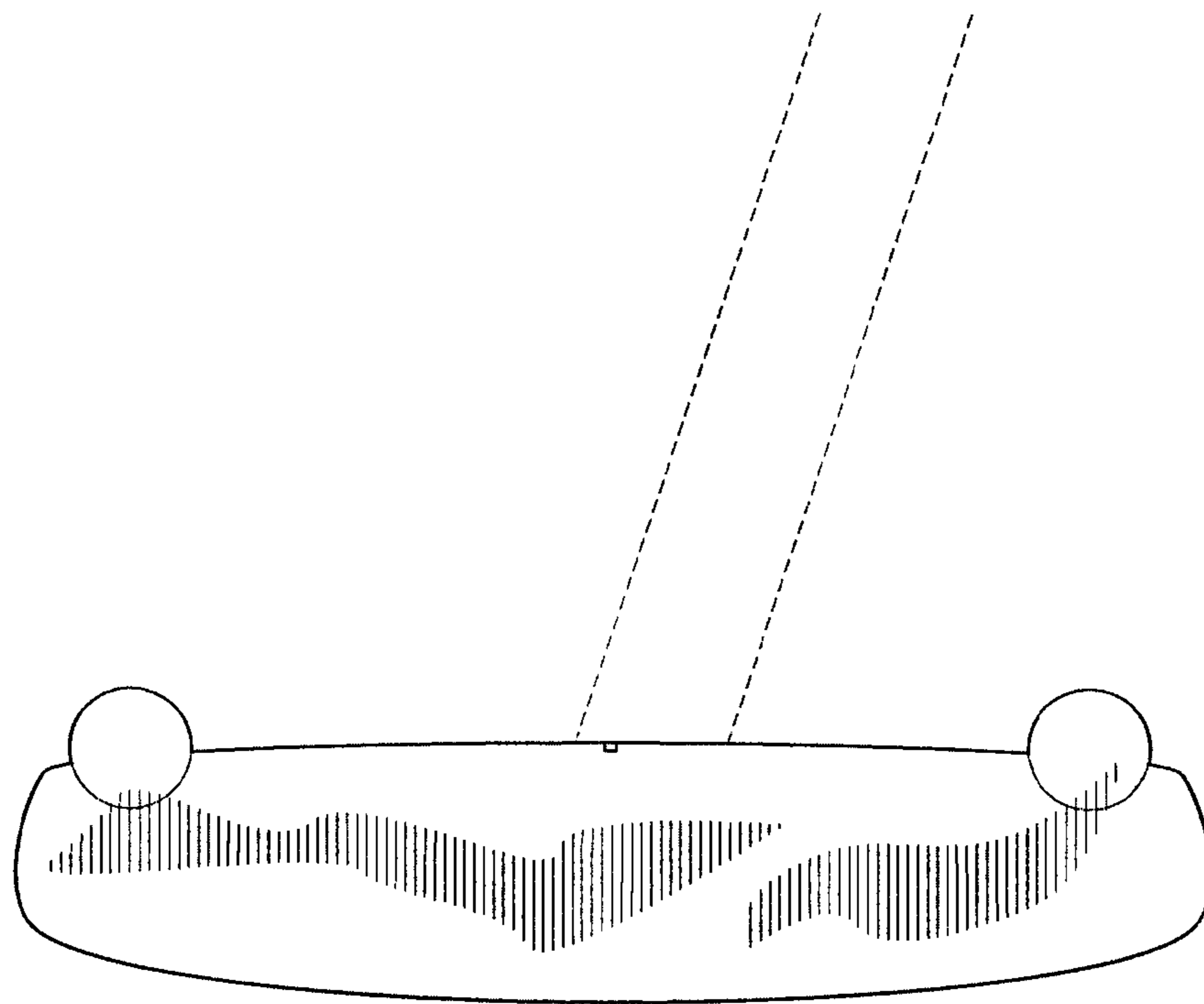


FIG. 4

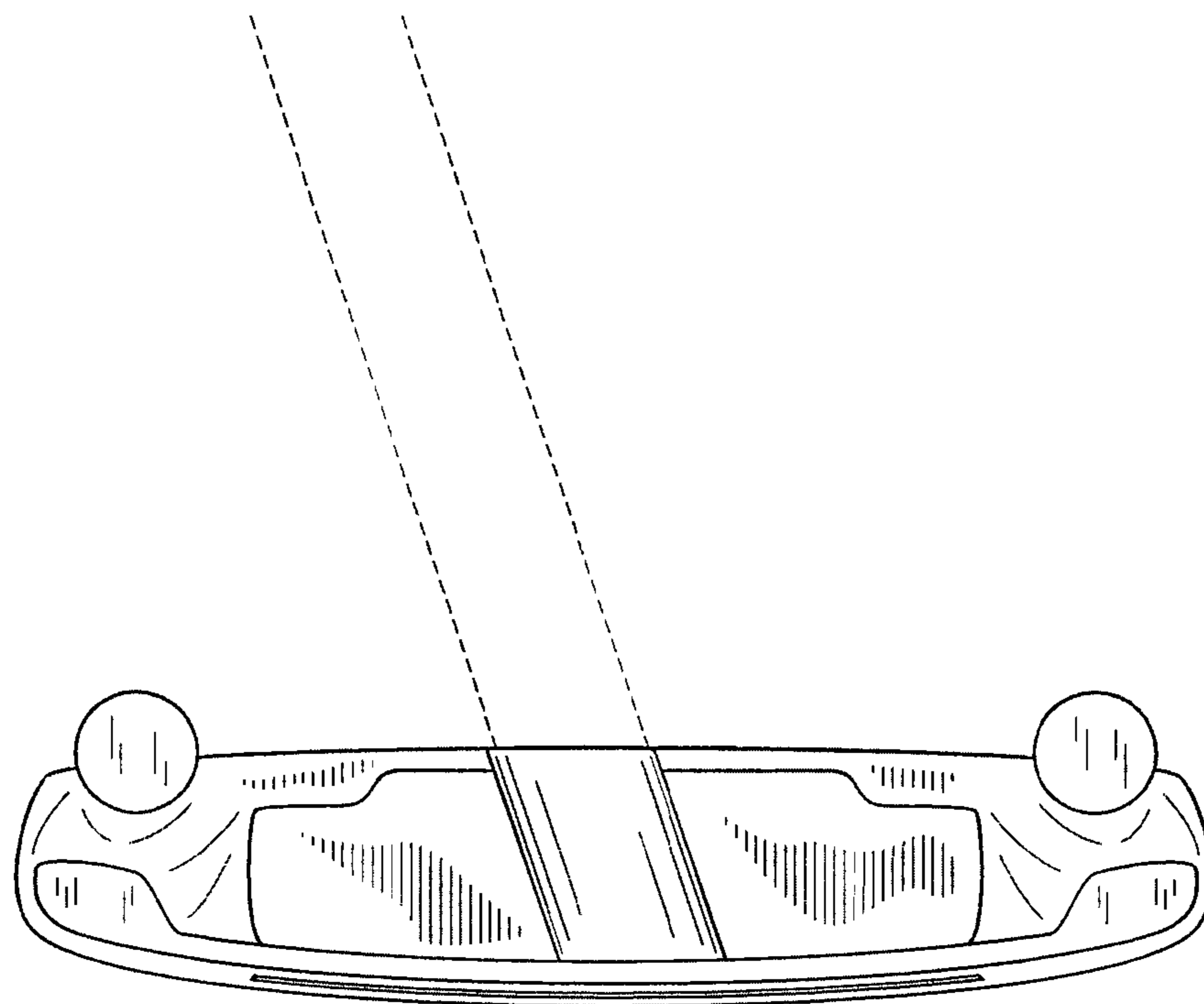


FIG. 5

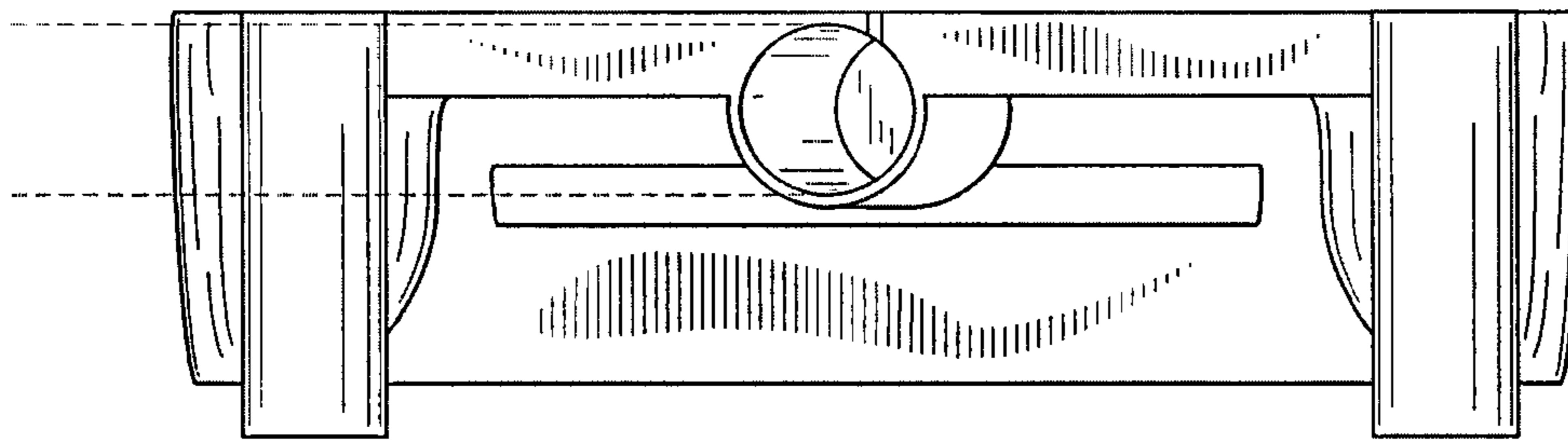


FIG. 6

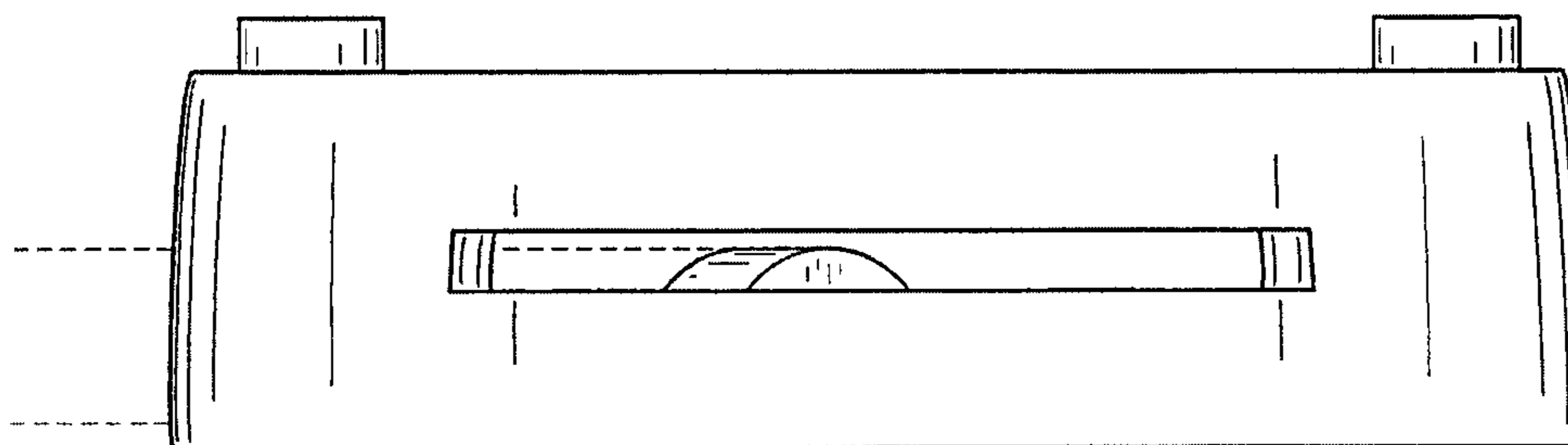


FIG. 7