



US00D708274S

(12) **United States Design Patent**
Eder

(10) **Patent No.:** **US D708,274 S**
(45) **Date of Patent:** **** Jul. 1, 2014**

(54) **FITNESS MACHINE**

(71) Applicant: **IncludeFitness, LLC**, Cincinnati, OH (US)

(72) Inventor: **J. Ryan Eder**, Columbus, OH (US)

(73) Assignee: **IncludeFitness, LLC**, Cincinnati, OH (US)

(**) Term: **14 Years**

(21) Appl. No.: **29/441,838**

(22) Filed: **Jan. 10, 2013**

(51) **LOC (10) Cl.** **21-02**

(52) **U.S. Cl.**
USPC **D21/673**

(58) **Field of Classification Search**
USPC D21/662, 665-666, 671, 673-676, 679, D21/686, 690, 691, 693, 694; 482/72, 482/92-97, 99-100, 102-103, 121-123, 482/130, 140-142; D24/183
See application file for complete search history.

(56) **References Cited**

U.S. PATENT DOCUMENTS

6,443,877	B1 *	9/2002	Hoecht et al.	482/103
6,592,498	B1 *	7/2003	Trainor	482/97
6,770,015	B2 *	8/2004	Simonson	482/99
D586,410	S *	2/2009	Citterio	D21/673
7,503,882	B2 *	3/2009	Sechrest et al.	482/103
7,625,321	B2 *	12/2009	Simonson et al.	482/103
7,722,509	B2	5/2010	Eder	

7,909,742	B2 *	3/2011	Ish et al.	482/97
8,070,658	B2 *	12/2011	Giannelli et al.	482/102
8,096,926	B1 *	1/2012	Batca	482/99
D679,764	S *	4/2013	Alessandri et al.	D21/675
8,465,400	B1 *	6/2013	Batca	482/99
8,500,607	B2 *	8/2013	Vittone et al.	482/93
2003/0045406	A1 *	3/2003	Stone	482/100
2008/0051263	A1 *	2/2008	Rasmussen et al.	482/94
2008/0051267	A1 *	2/2008	Ish	482/99
2008/0300116	A1 *	12/2008	Eder	482/100
2012/0035026	A1 *	2/2012	Lyszczarz	482/103

* cited by examiner

Primary Examiner — Philip S Hyder

(74) *Attorney, Agent, or Firm* — Jason H. Foster; Kremblas & Foster

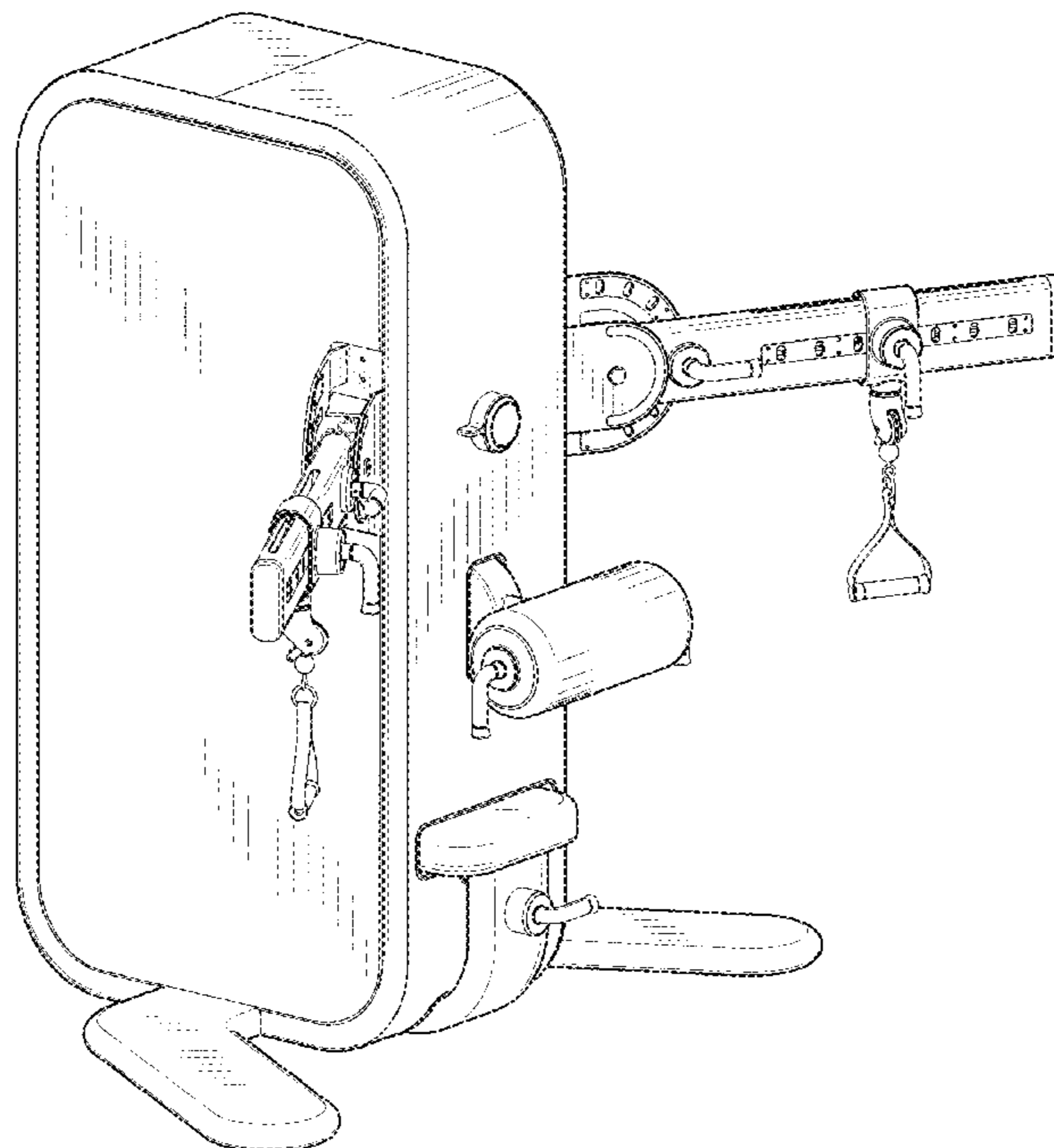
(57) **CLAIM**

The ornamental design for a fitness machine, as shown and described.

DESCRIPTION

FIG. 1 is a front view of a fitness machine showing my new design;
FIG. 2 is a rear view thereof;
FIG. 3 is a right side view thereof;
FIG. 4 is a left side view thereof;
FIG. 5 is a top view thereof;
FIG. 6 is a bottom view thereof;
FIG. 7 is a front right upper perspective view thereof; and,
FIG. 8 is a front right lower perspective view thereof.
The broken lines depict portions of the fitness machine in which the design is embodied that are not considered part of the claimed design.

1 Claim, 8 Drawing Sheets



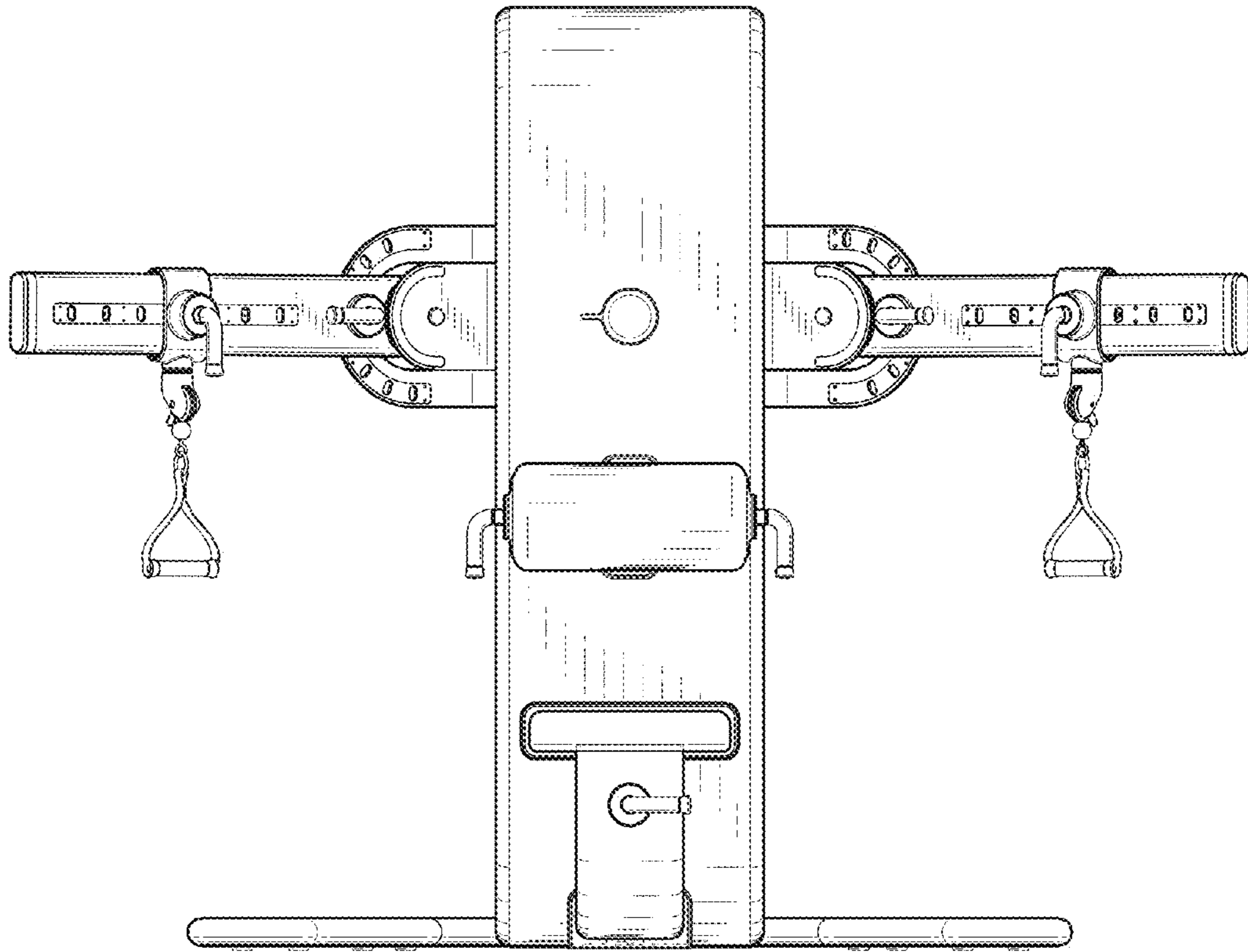


FIG. 1

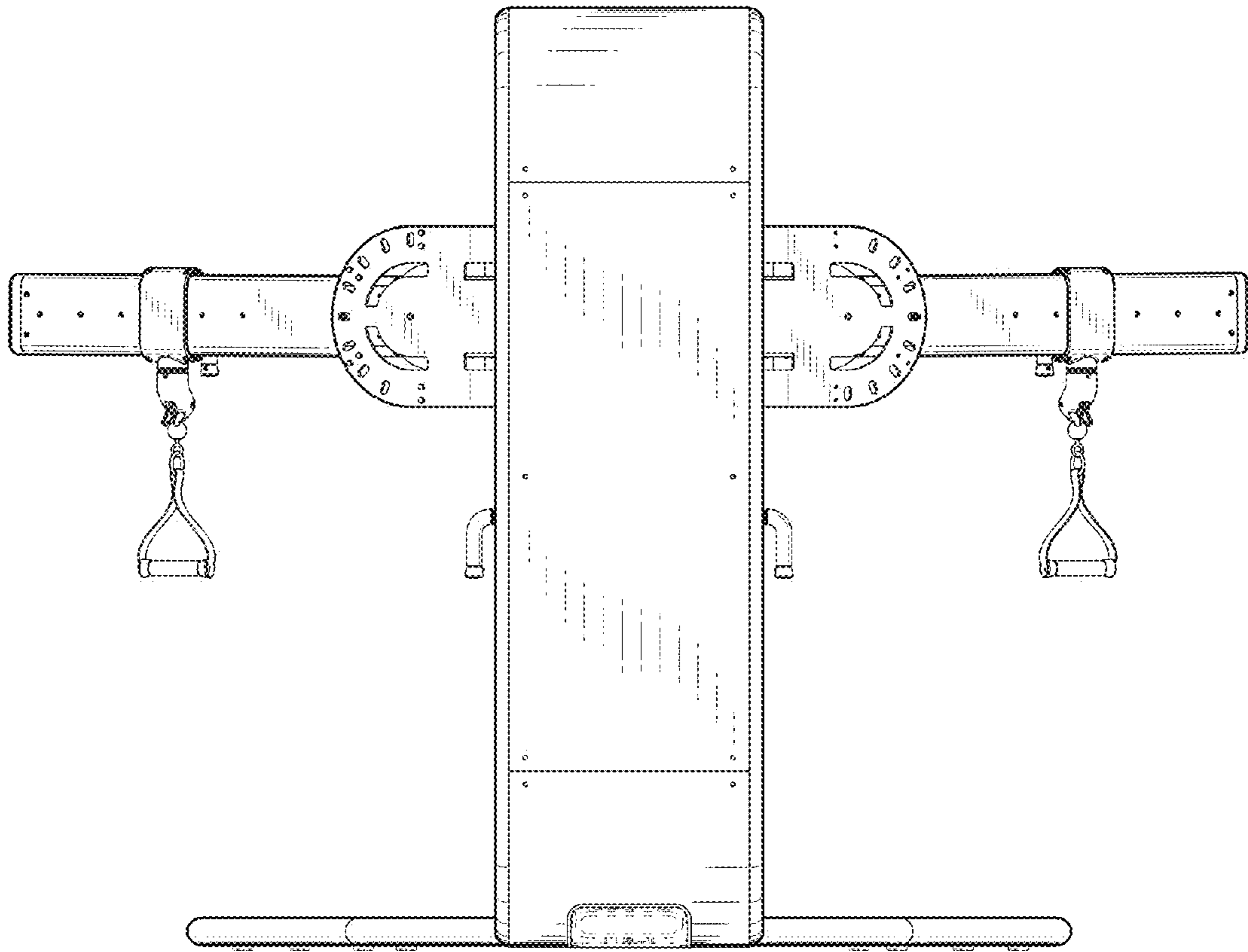


FIG. 2

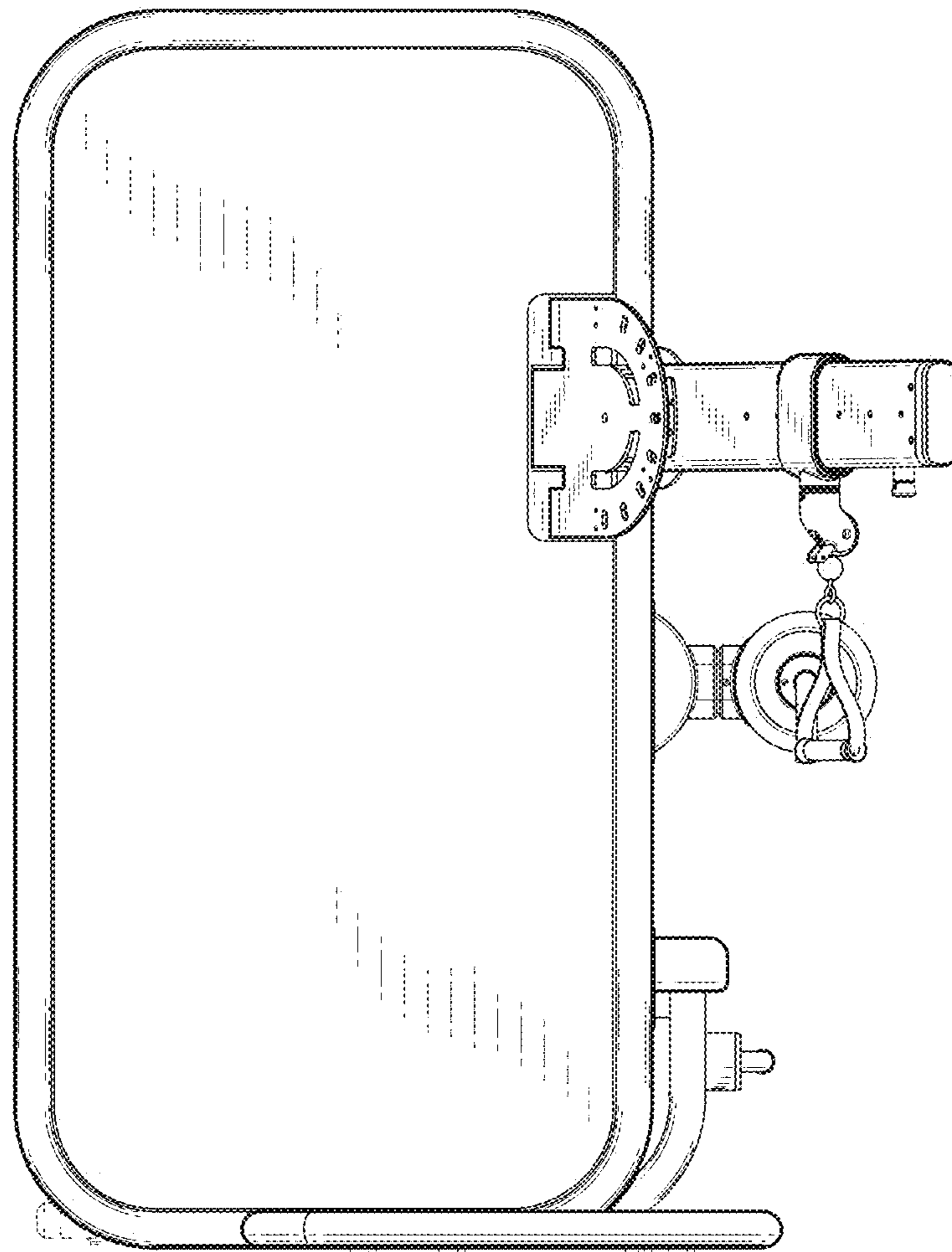


FIG. 3

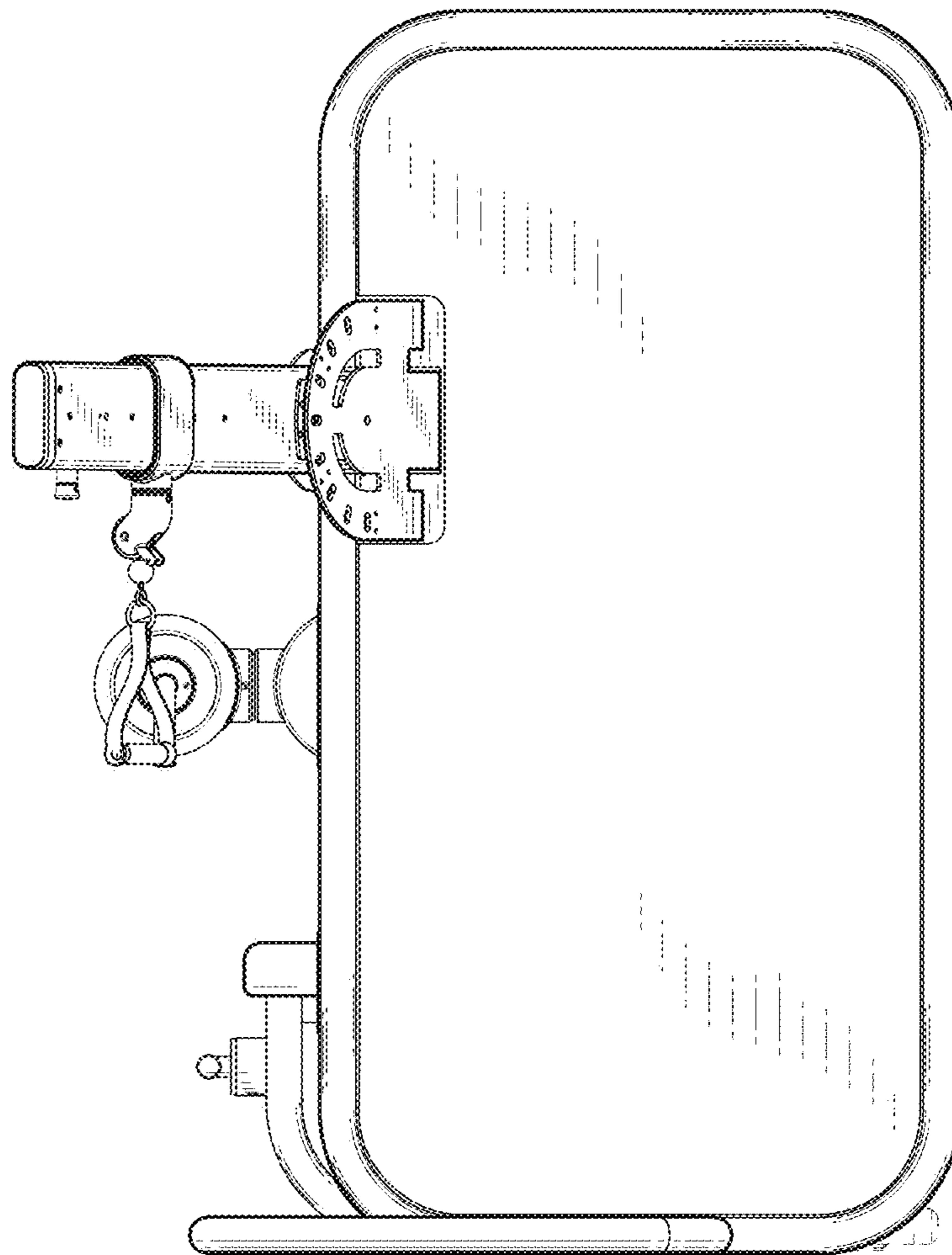


FIG. 4

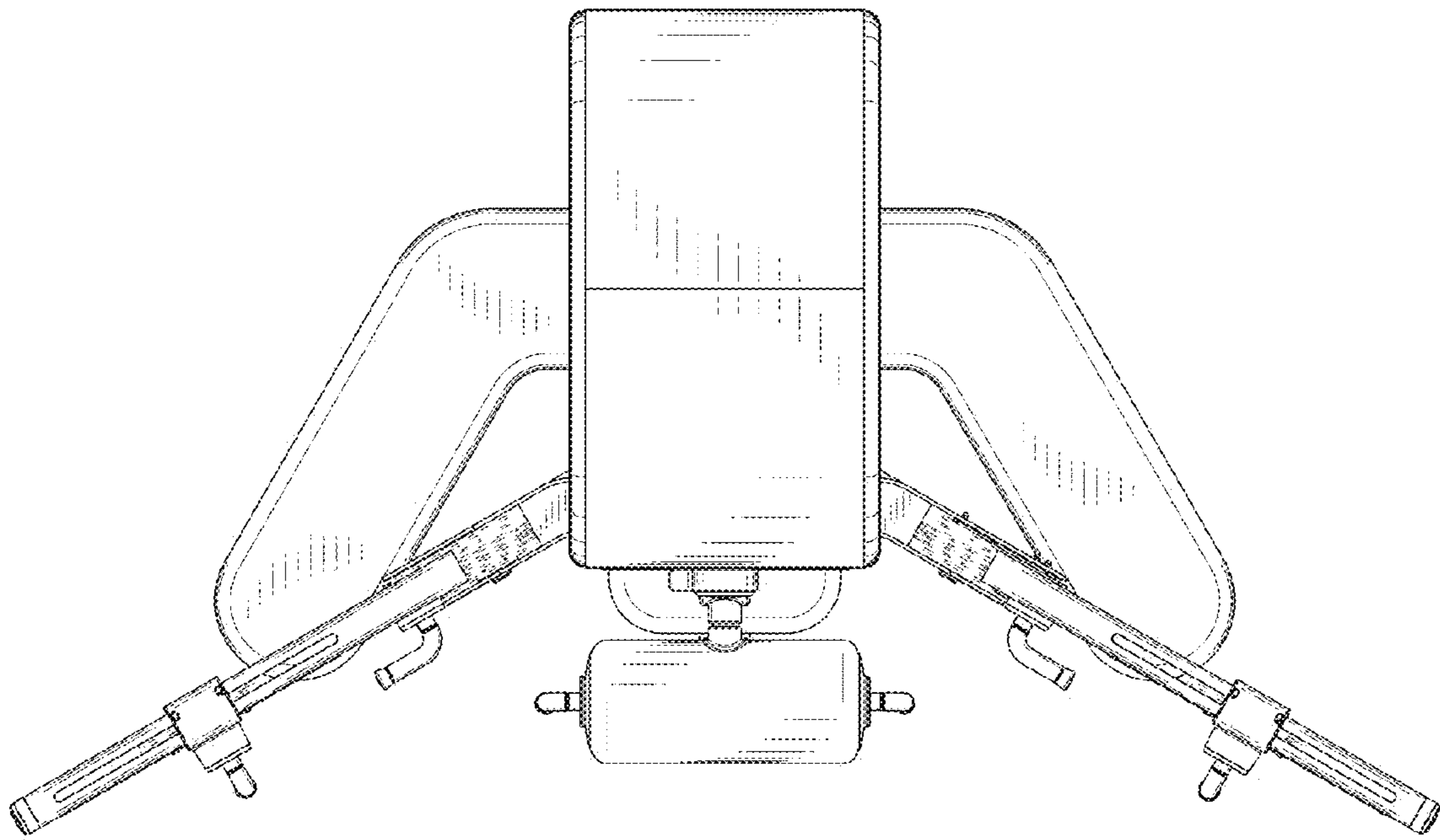


FIG. 5

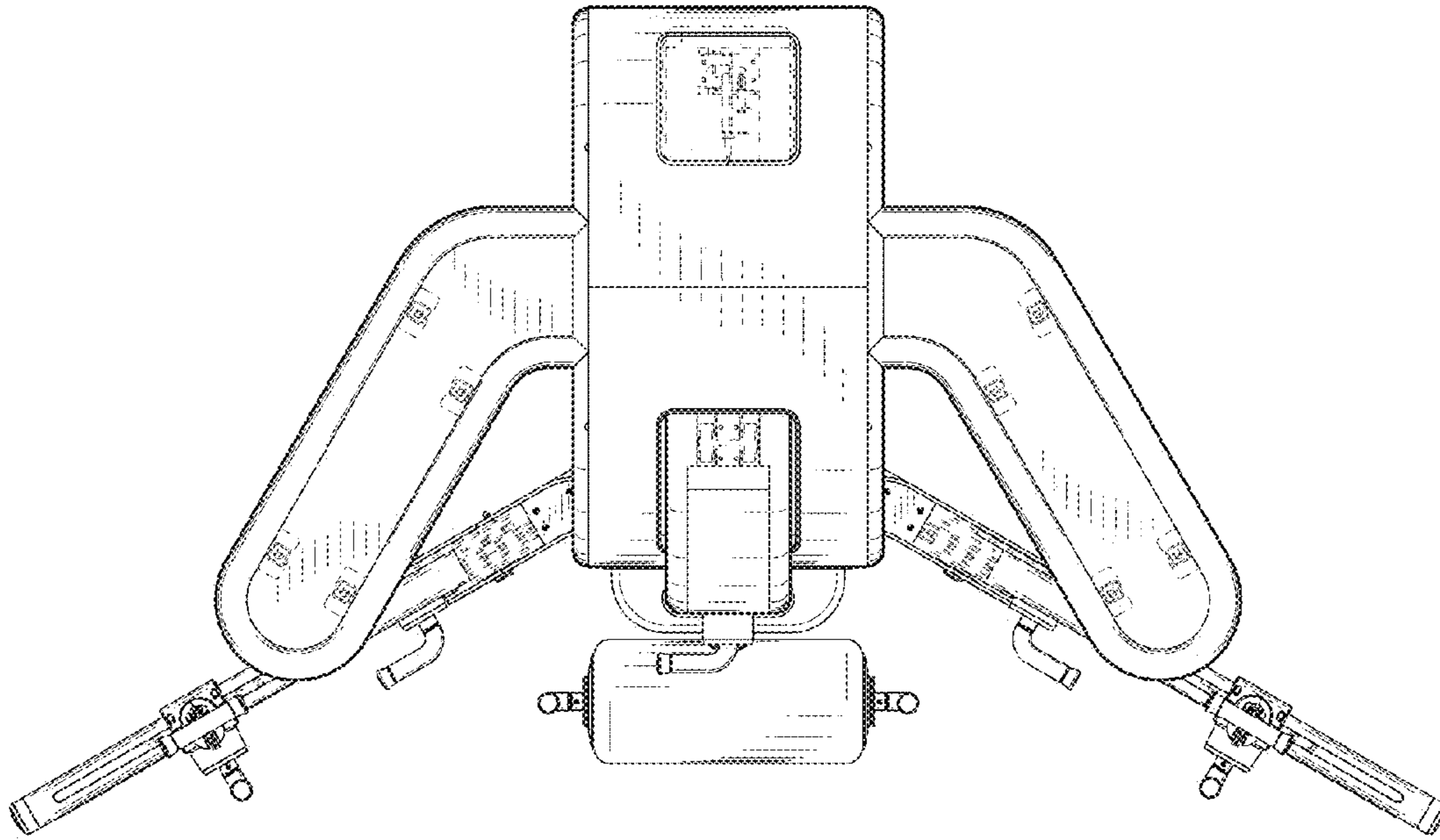


FIG. 6

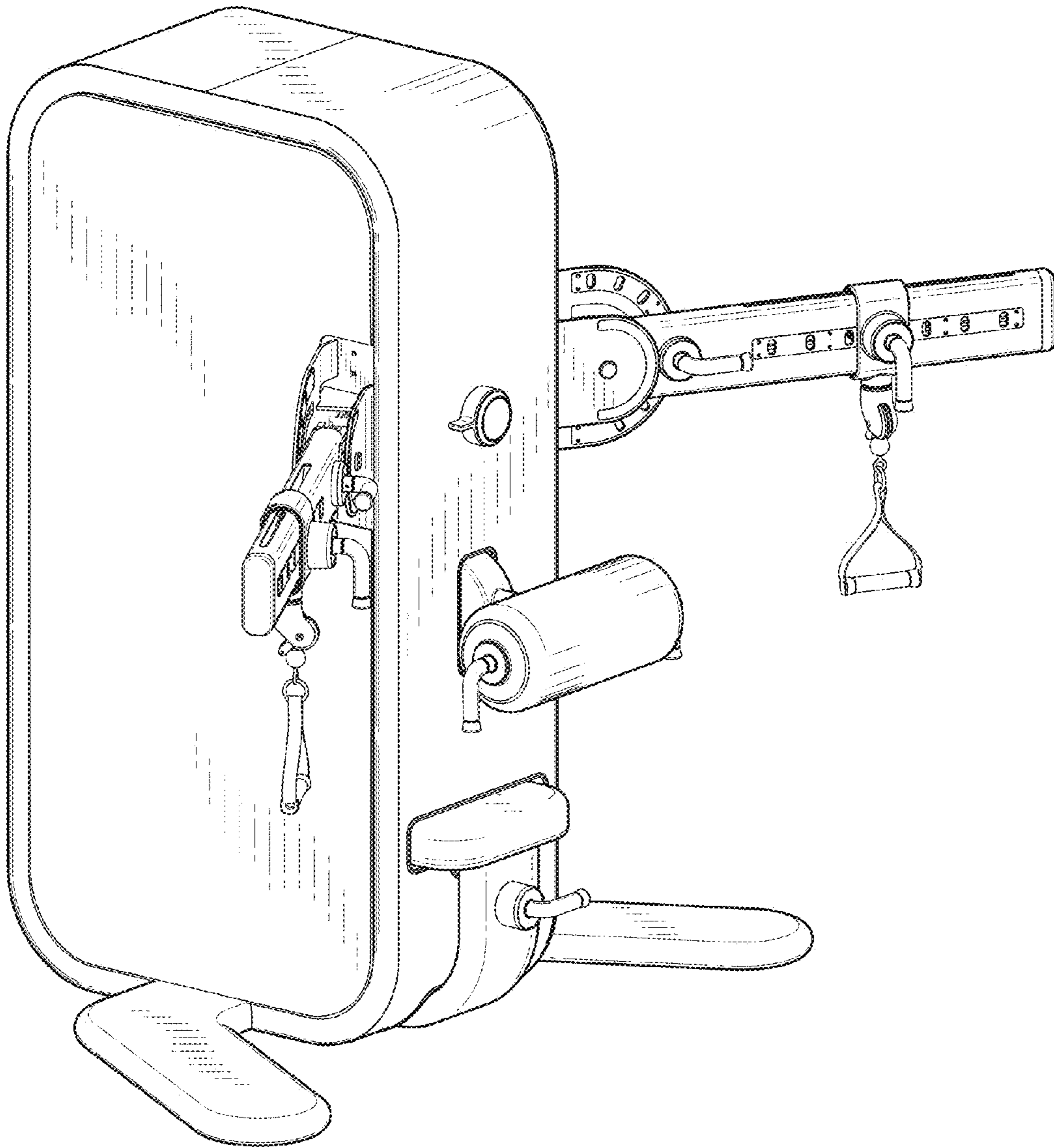


FIG. 7

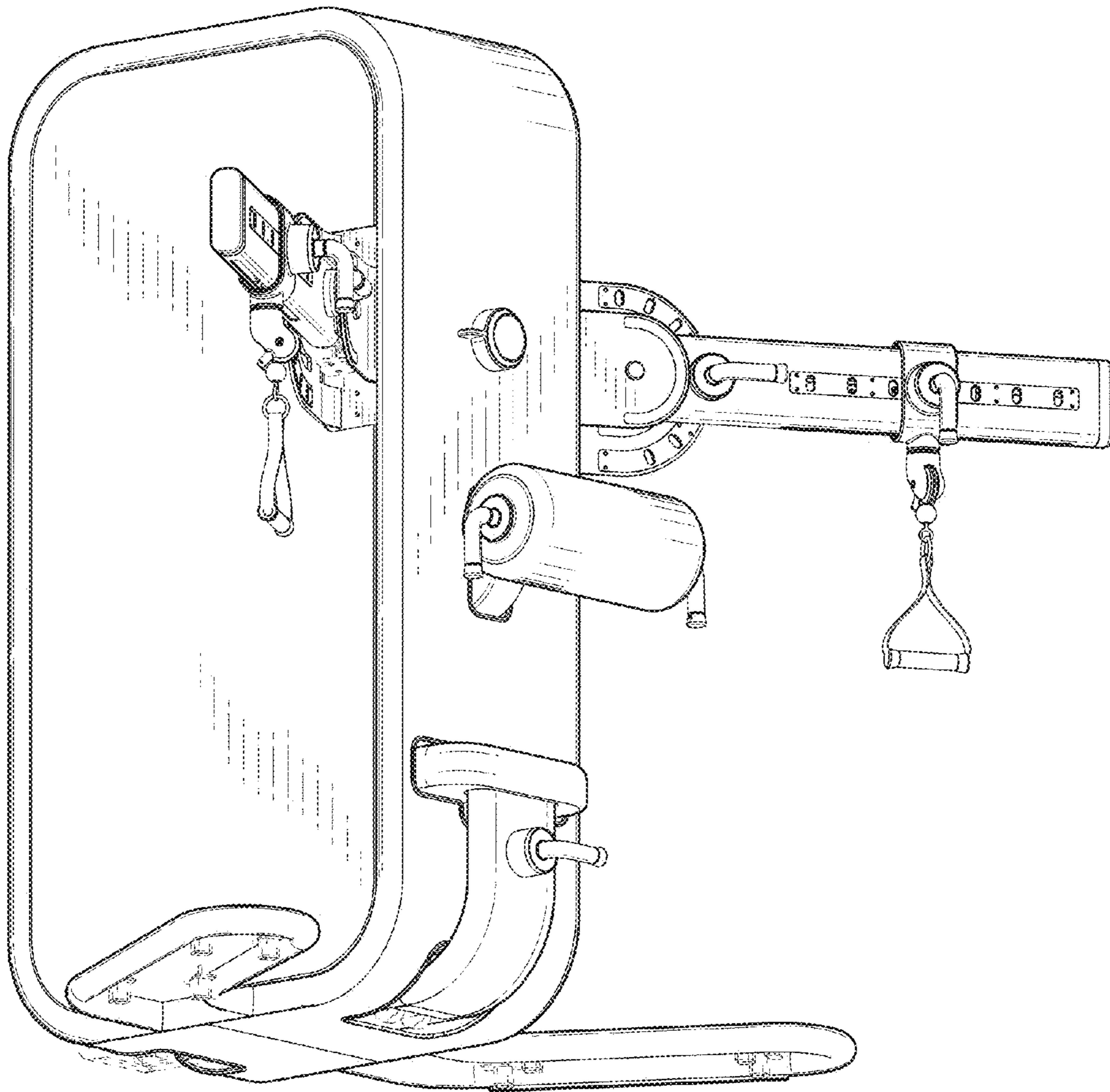


FIG. 8