



US00D708273S

(12) **United States Design Patent**
Kouyoumjian

(10) **Patent No.:** **US D708,273 S**

(45) **Date of Patent:** **** Jul. 1, 2014**

(54) **REMOTELY-CONTROLLED,
IMPACT-RESISTANT MODEL HELICOPTER**

(71) Applicant: **Kevork G. Kouyoumjian**, Valencia, CA
(US)

(72) Inventor: **Kevork G. Kouyoumjian**, Valencia, CA
(US)

(**) Term: **14 Years**

(21) Appl. No.: **29/437,812**

(22) Filed: **Nov. 20, 2012**

(51) **LOC (10) Cl.** **21-01**

(52) **U.S. Cl.**
USPC **D21/442; D12/328**

(58) **Field of Classification Search**
USPC D21/430, 436, 437, 441, 442, 443, 444,
D21/447, 450, 451, 453; D12/16.1, 319,
D12/320, 325, 326, 327, 328, 329, 345;
446/2, 5, 6, 7 A, 7 R, 12.1–12.4, 17.11,
446/17.13, 17.17, 17.23, 17.25, 17.27, 23 C,
446/53 R, 60, 63, 17.19, 100 R, 119, 36, 37,
446/46–48, 230, 231, 232, 233, 236;
280/1.12, 1.21

See application file for complete search history.

(56) **References Cited**

U.S. PATENT DOCUMENTS

4,579,301	A *	4/1986	Brand	244/119
4,648,568	A *	3/1987	Phillips	244/17.19
5,240,205	A *	8/1993	Allongue	244/17.19
5,836,545	A *	11/1998	Arlton et al.	244/60
5,845,246	A	12/1998	Schalk	704/243
6,142,419	A *	11/2000	Arlton	244/100 R
6,289,140	B1	9/2001	Oliver	382/313
6,339,706	B1	1/2002	Tillgren et al.	455/419
6,496,107	B1	12/2002	Himmelstein	340/426
6,574,592	B1	6/2003	Nankawa et al.	704/206
6,863,240	B1 *	3/2005	Namisanak	244/17.19
6,988,070	B2	1/2006	Kawasaki et al.	704/275

7,178,758	B2 *	2/2007	Rehkemper	244/17.11
7,228,273	B2	6/2007	Okunoki	704/224
D548,803	S *	8/2007	Zimet	D21/442
7,259,906	B1	8/2007	Islam	359/334
D557,194	S *	12/2007	Zimet	D12/326
D559,764	S *	1/2008	Wai	D12/326
D561,677	S *	2/2008	Wai	D12/326
7,421,390	B2	9/2008	Simpson	704/270
D580,343	S *	11/2008	Van de Rostyne et al.	..	D12/345
7,516,077	B2	4/2009	Yokoi et al.	704/275
7,613,616	B2	11/2009	Luisi	704/275
D623,704	S *	9/2010	Yuen	D21/442
D629,467	S *	12/2010	Cai	D21/442
D635,199	S *	3/2011	Yuen	D21/442
7,957,975	B2	6/2011	Burns et al.	704/275
2004/0245378	A1 *	12/2004	Nonami et al.	244/17.13
2006/0231677	A1 *	10/2006	Zimet et al.	244/17.23
2006/0266880	A1 *	11/2006	Chen	244/17.11
2007/0178798	A1 *	8/2007	Lai	446/36
2008/0237393	A1 *	10/2008	Challis	244/17.21
2009/0047861	A1 *	2/2009	Van de Rostyne et al.	446/37
2009/0134269	A1 *	5/2009	Luo	244/17.23
2010/0022157	A1 *	1/2010	Van de Rostyne et al.	446/37
2011/0272519	A1 *	11/2011	Challis	244/6

* cited by examiner

Primary Examiner — Caron D Veynar

Assistant Examiner — Martie K Holtje

(74) *Attorney, Agent, or Firm* — Albert O. Cota

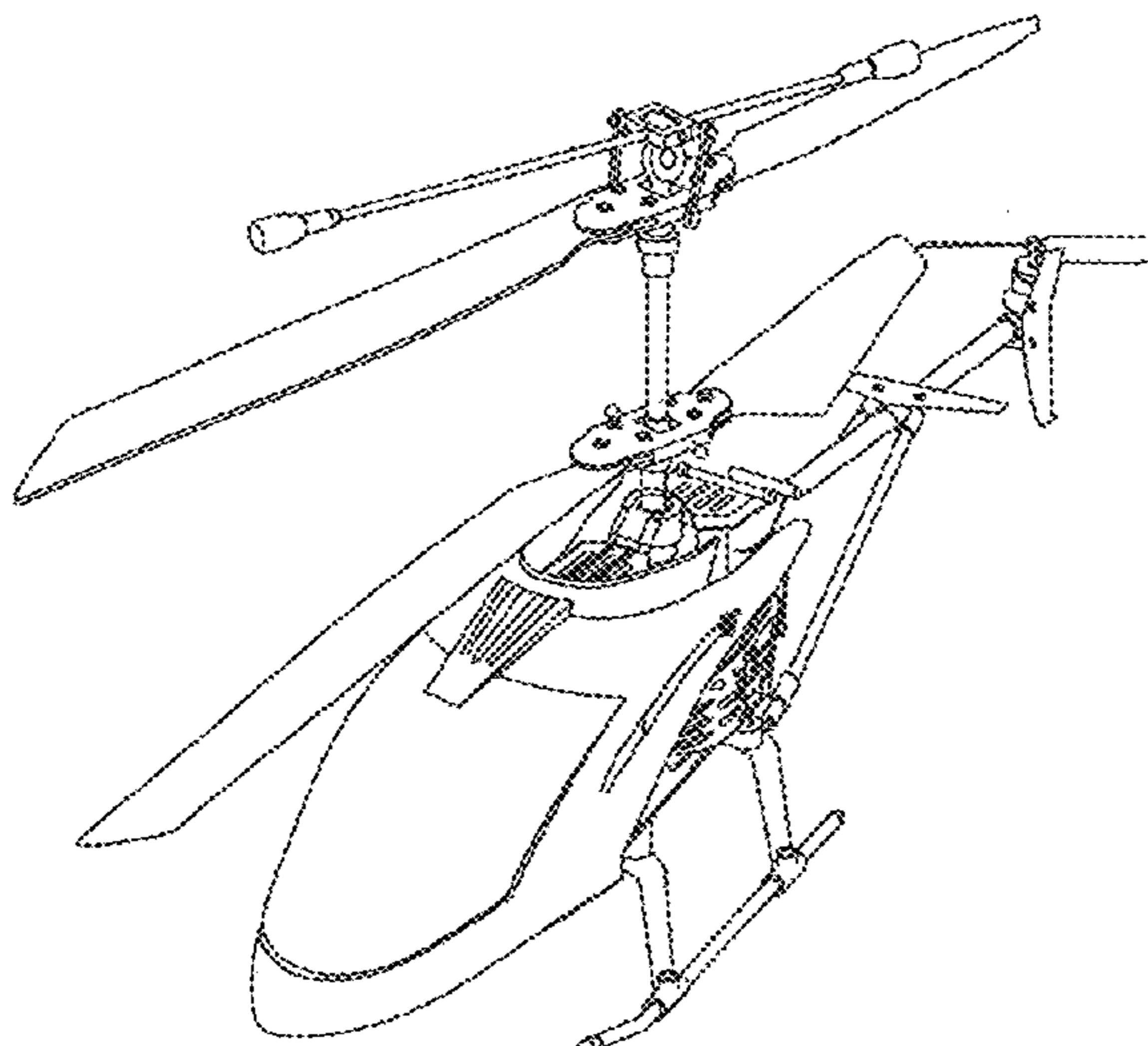
(57) **CLAIM**

The ornamental design for a remotely-controlled, impact-resistant model helicopter, as shown and described.

DESCRIPTION

FIG. 1 is a perspective front view of a remotely-controlled, impact-resistant model helicopter showing my new design; FIG. 2 is a left side elevational view thereof; FIG. 3 is a right side elevational view thereof; FIG. 4 is a top plan view thereof; FIG. 5 is a bottom plan view thereof; FIG. 6 is a front elevational view thereof; and, FIG. 7 is a rear elevational view thereof.

1 Claim, 6 Drawing Sheets



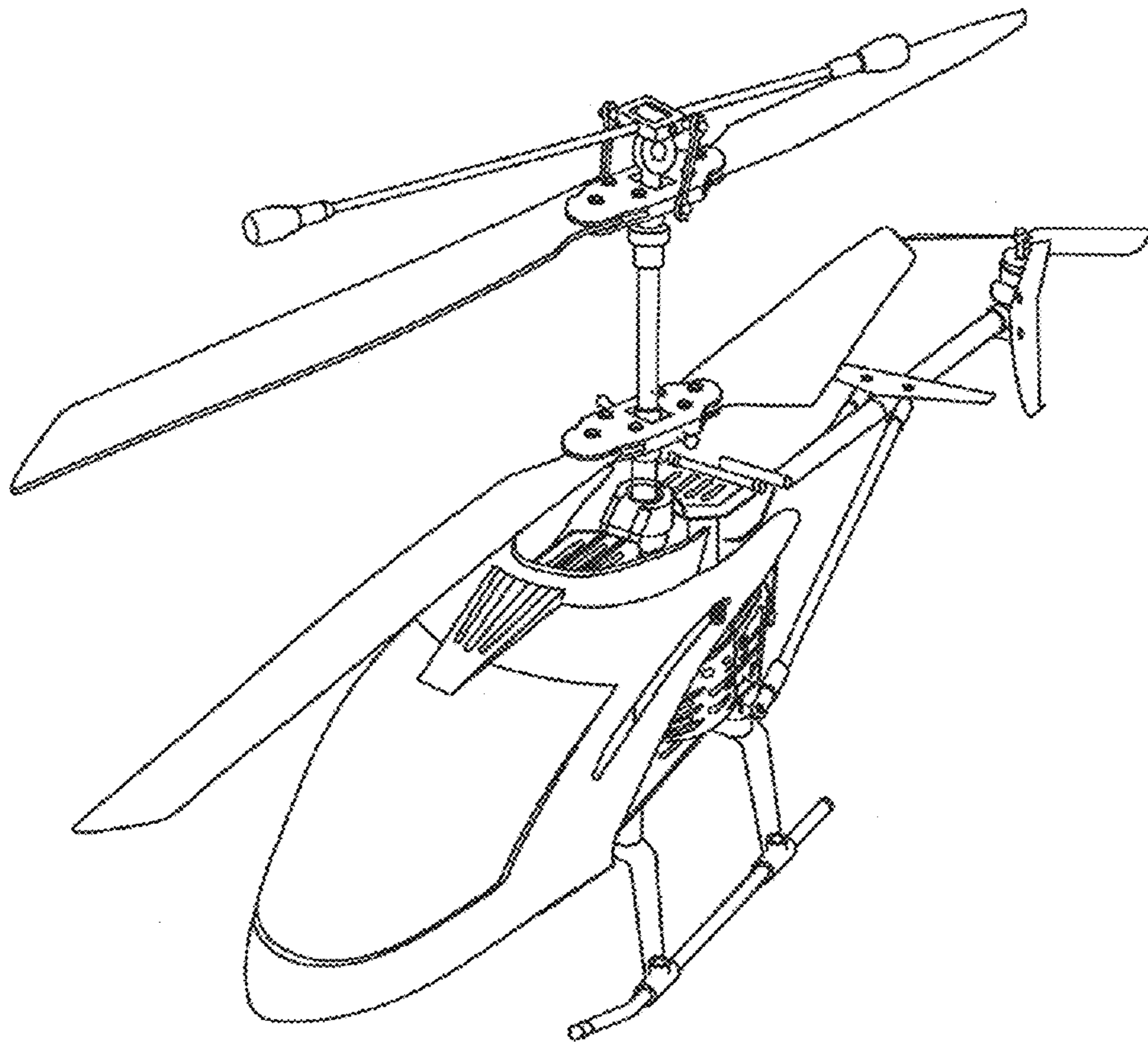


FIG 1

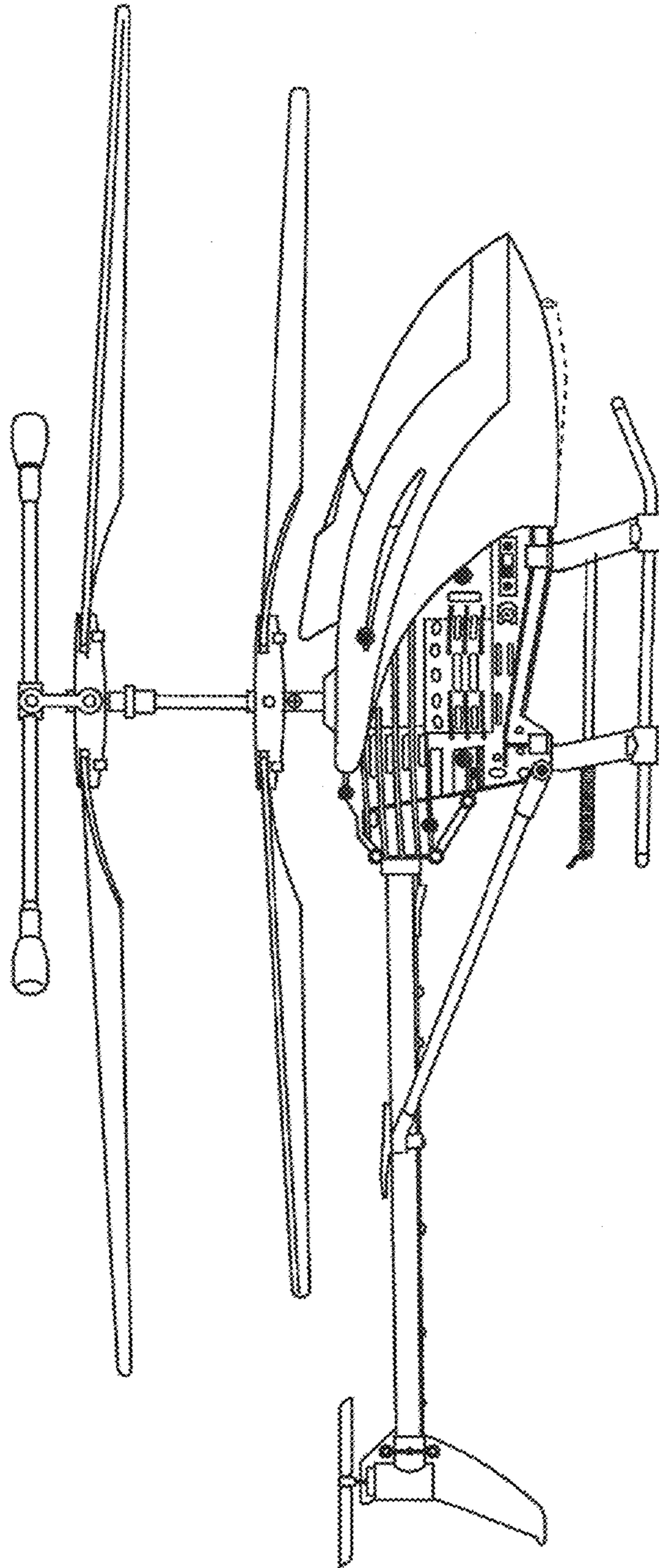


FIG 2

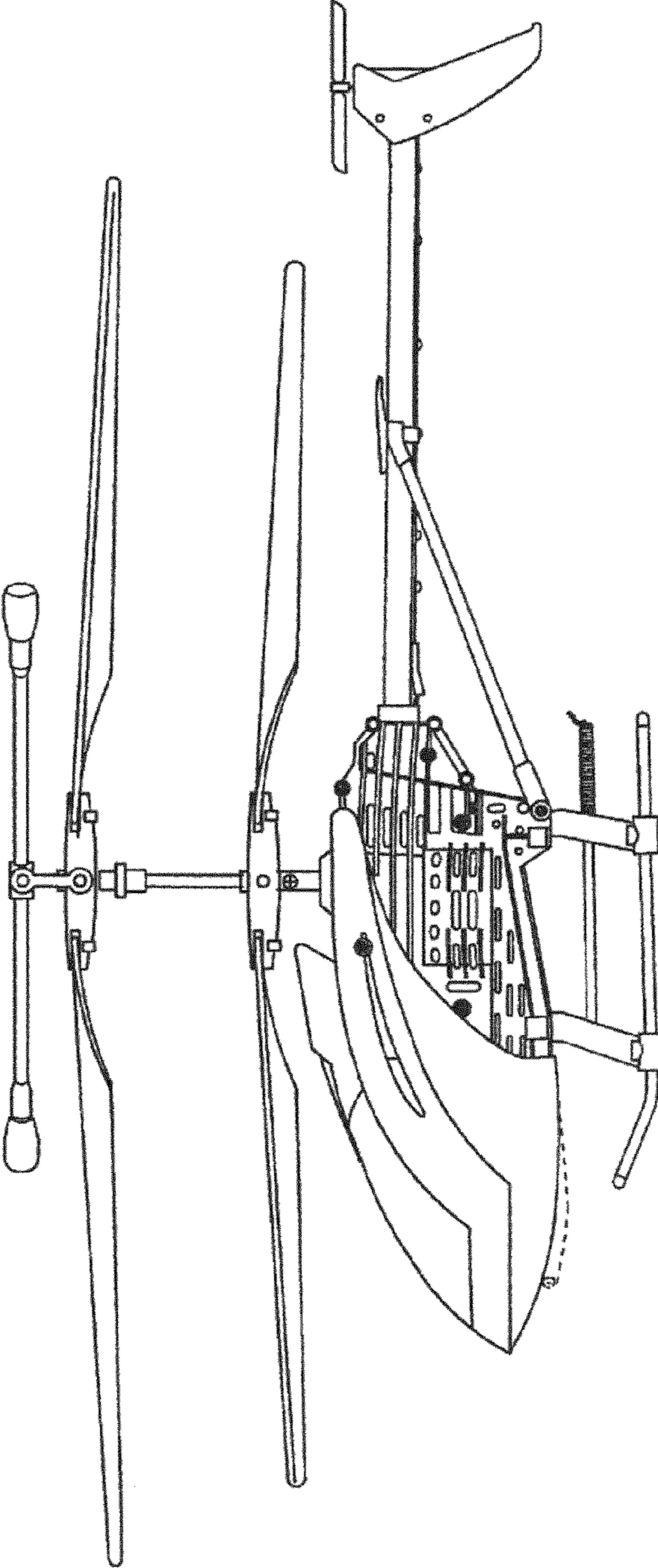


FIG 3

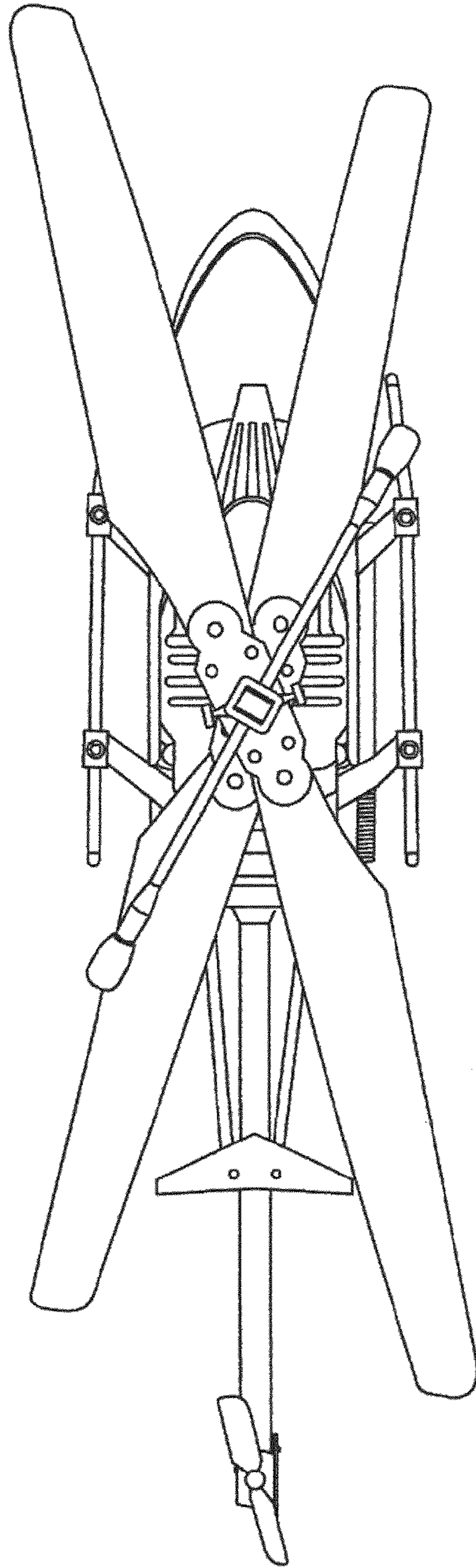


FIG 4

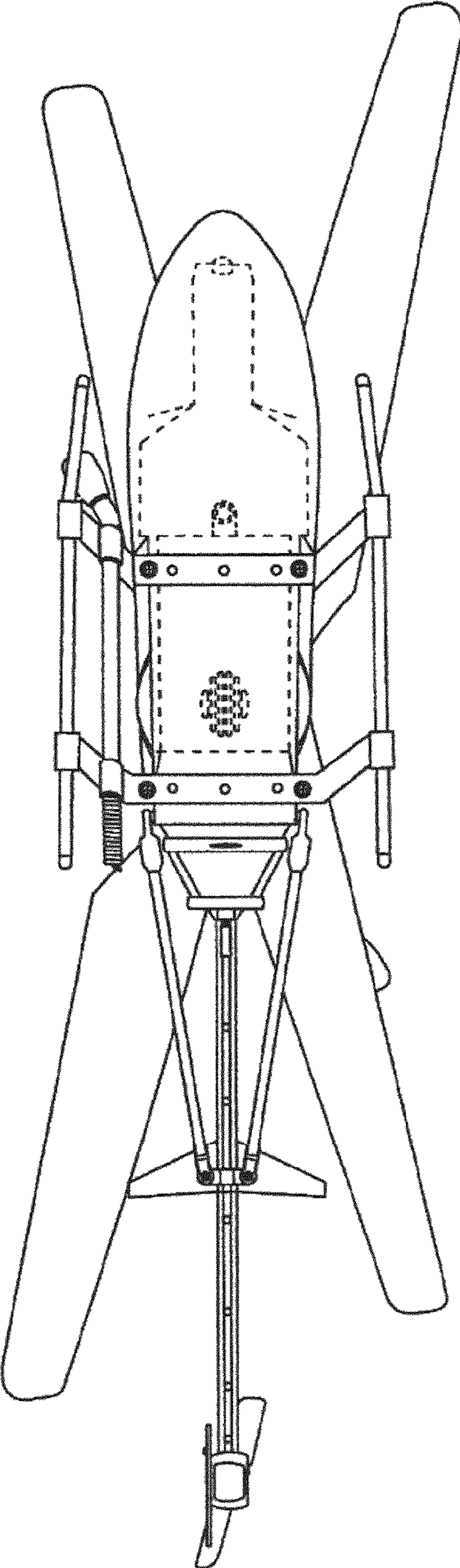


FIG 5

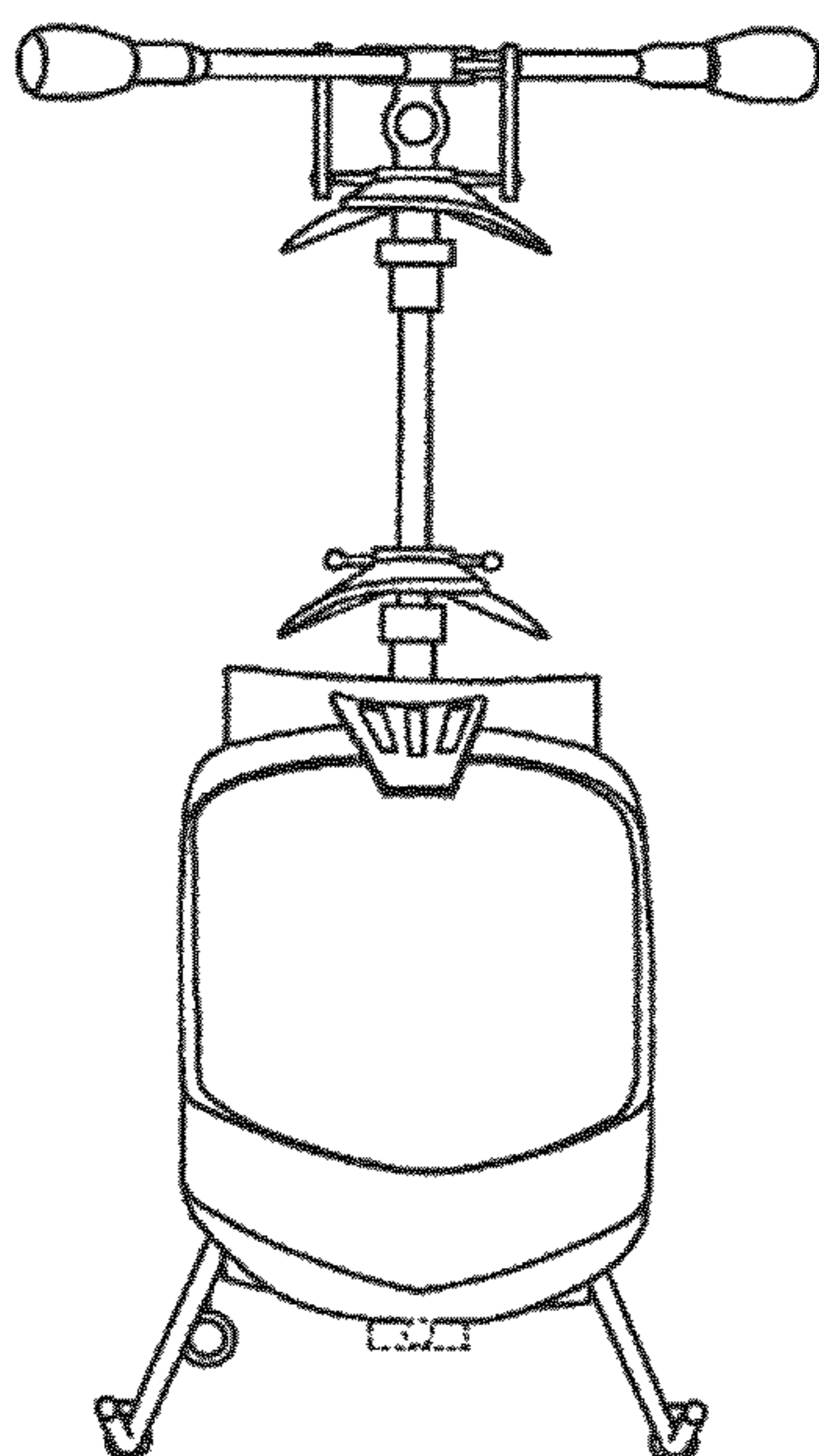


FIG 6

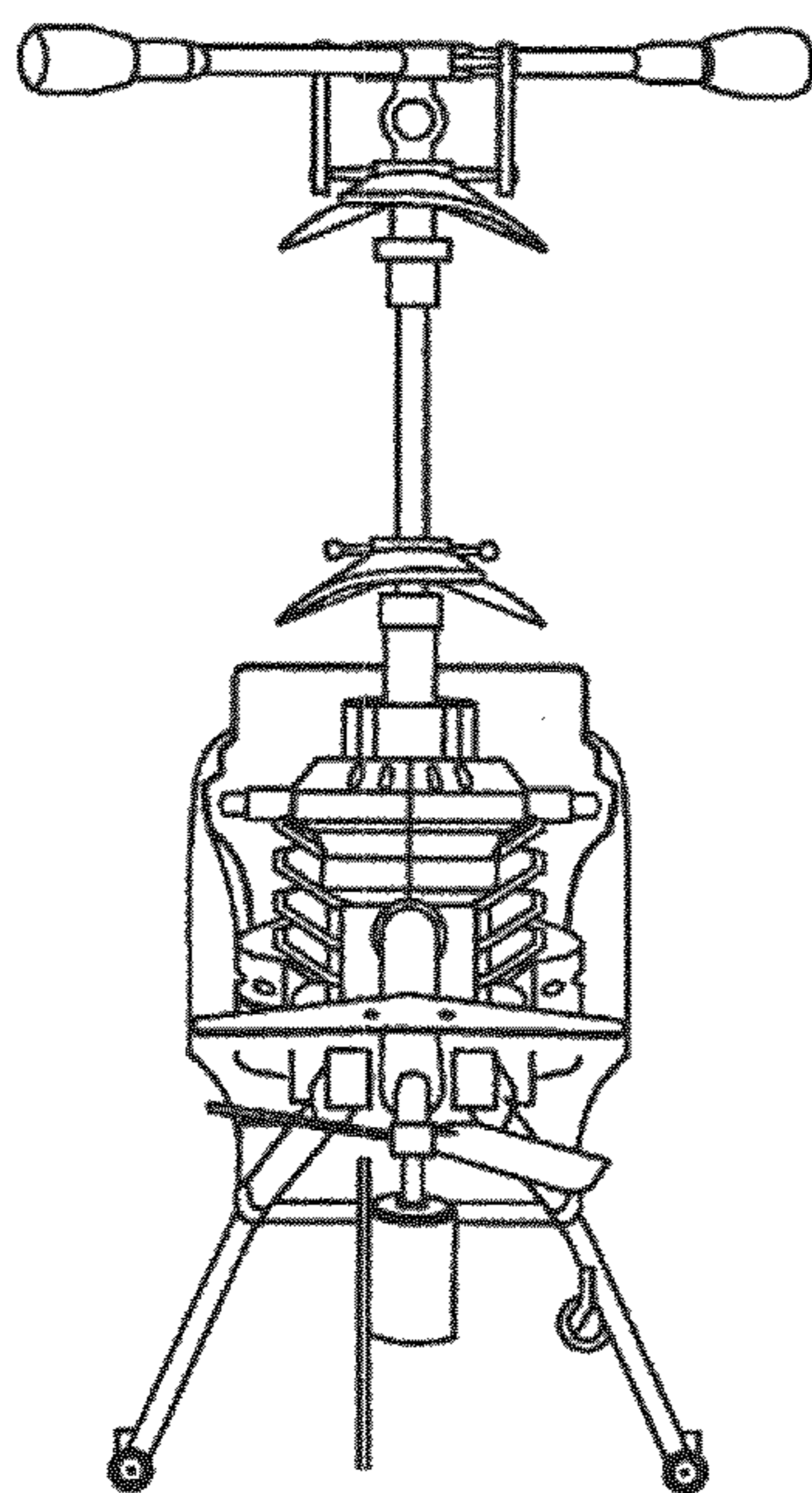


FIG 7