



US00D708272S

(12) **United States Design Patent**
Schmelter

(10) **Patent No.:** **US D708,272 S**
(45) **Date of Patent:** **** Jul. 1, 2014**

(54) **FLYING TOY**

(56) **References Cited**

(71) Applicant: **Spin Master Ltd.**, Toronto (CA)
(72) Inventor: **Rodney Blain Schmelter**, Etobicoke (CA)
(73) Assignee: **Spin Master, Ltd.**, Toronto (CA)
(**) Term: **14 Years**
(21) Appl. No.: **29/457,808**
(22) Filed: **Jun. 13, 2013**
(30) **Foreign Application Priority Data**

U.S. PATENT DOCUMENTS

3,253,806	A *	5/1966	Eickmann	244/17.23
3,768,757	A *	10/1973	Eickmann	244/17.23
4,795,111	A *	1/1989	Moller	244/23 C
5,070,955	A *	12/1991	Lissaman et al.	180/117
5,082,079	A *	1/1992	Lissaman et al.	180/118
6,626,078	B2 *	9/2003	Thornton	89/1.13
7,407,424	B2 *	8/2008	Choi	446/37
7,472,863	B2 *	1/2009	Pak	244/12.5
7,658,346	B2 *	2/2010	Goossen	244/17.23
D628,658	S *	12/2010	Wurm	D21/442
D659,771	S *	5/2012	Seydoux et al.	D21/441
2007/0105474	A1 *	5/2007	Gotou et al.	446/37
2008/0048065	A1 *	2/2008	Kuntz	244/17.23
2009/0283629	A1 *	11/2009	Kroetsch et al.	244/17.23
2012/0078451	A1 *	3/2012	Ohtomo et al.	701/15

* cited by examiner

Primary Examiner — Caron D Veynar
Assistant Examiner — Martie K Holtje
(74) *Attorney, Agent, or Firm* — George R. McGuire; Bond Schoeneck & King, PLLC

Apr. 22, 2013 (CA) 150788
(51) **LOC (10) Cl.** **21-01**
(52) **U.S. Cl.**
USPC **D21/441**; D21/442; D12/16.1; D12/328;
D12/330
(58) **Field of Classification Search**
USPC D21/430, 436, 437, 441, 442, 443, 444,
D21/447, 450, 451, 453; D12/16.1, 319,
D12/320, 325, 326, 327, 328, 329, 330, 344,
D12/345; 446/36, 37, 46-48, 230, 231, 232,
446/233, 236; 244/2, 5, 6, 7 A, 7 R, 12.1,
244/12.2, 12.5, 17.11, 17.13, 17.17, 17.23,
244/17.25, 17.27, 23 C, 23 R, 53 R, 63,
244/158.1-158.3; 280/1.12; 701/3, 14, 15,
701/16; 180/117, 118

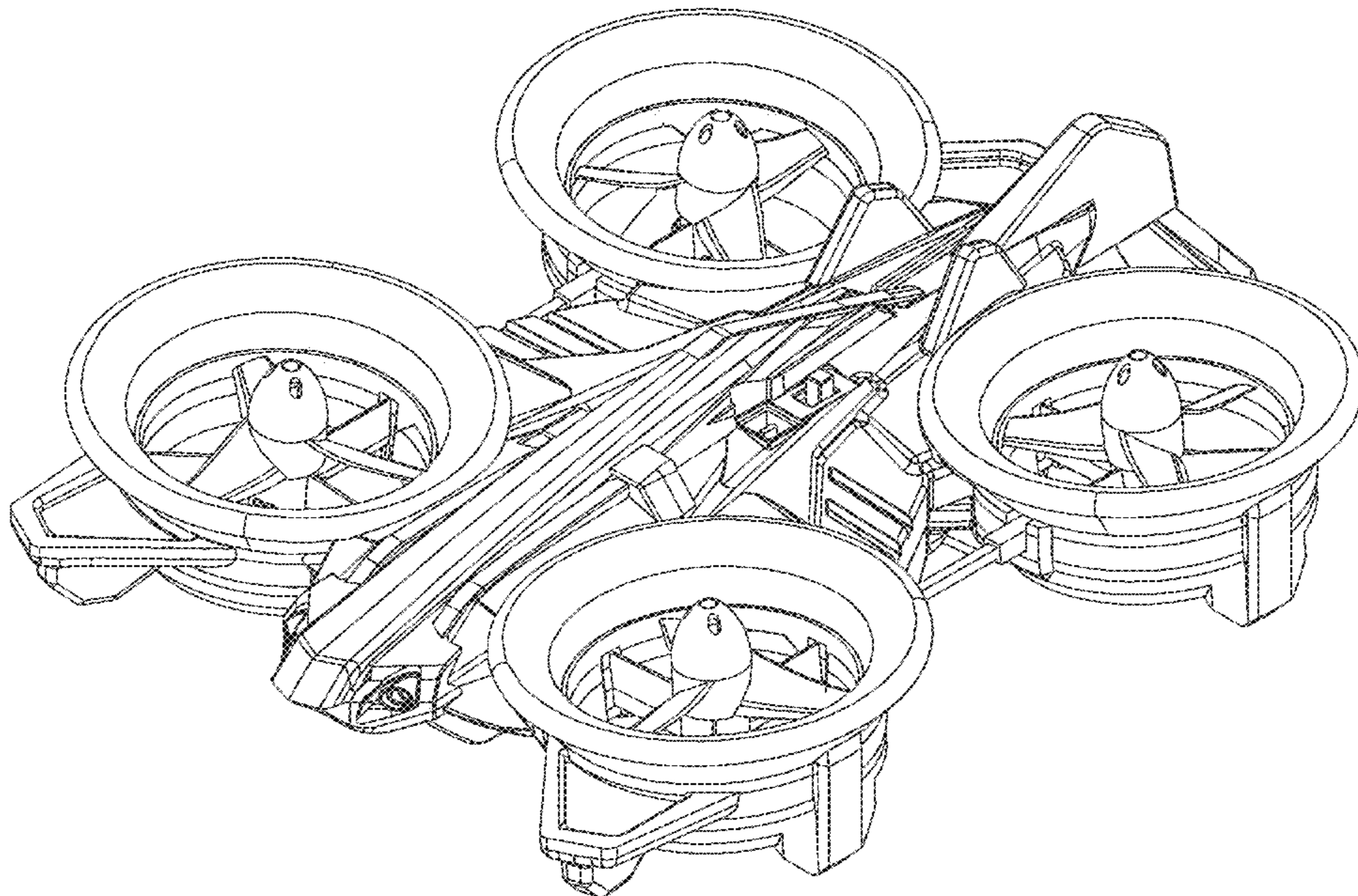
See application file for complete search history.

(57) **CLAIM**
The ornamental design for a flying toy, as shown and described.

DESCRIPTION

FIG. 1 is a perspective view of a new and ornamental design for a flying toy;
FIG. 2 is a front elevation view thereof;
FIG. 3 is a rear elevation view thereof;
FIG. 4 is a first side elevation view thereof;
FIG. 5 is a second side elevation view thereof;
FIG. 6 is a top plan view thereof; and,
FIG. 7 is a bottom plan view thereof.

1 Claim, 7 Drawing Sheets



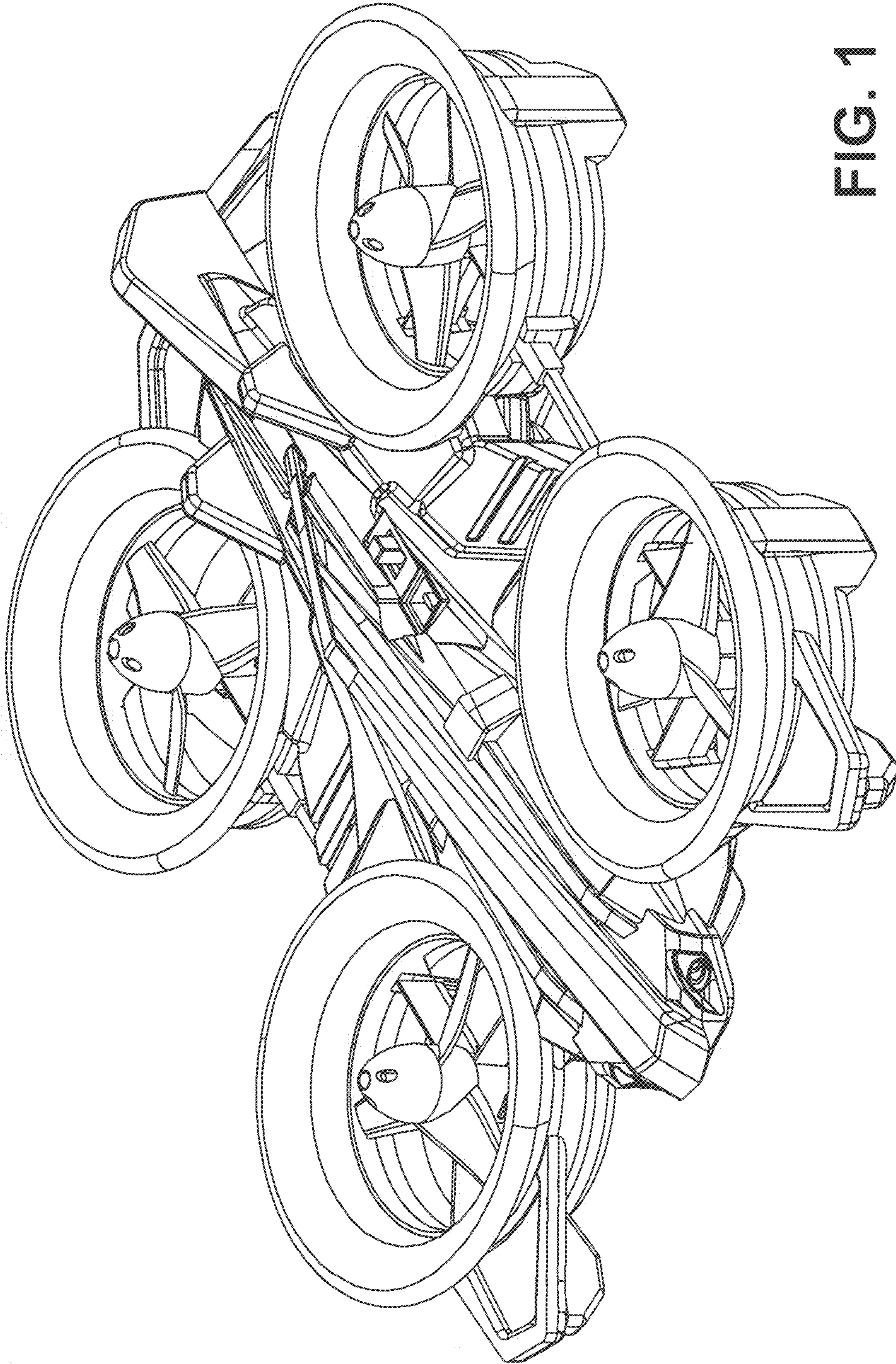


FIG. 1

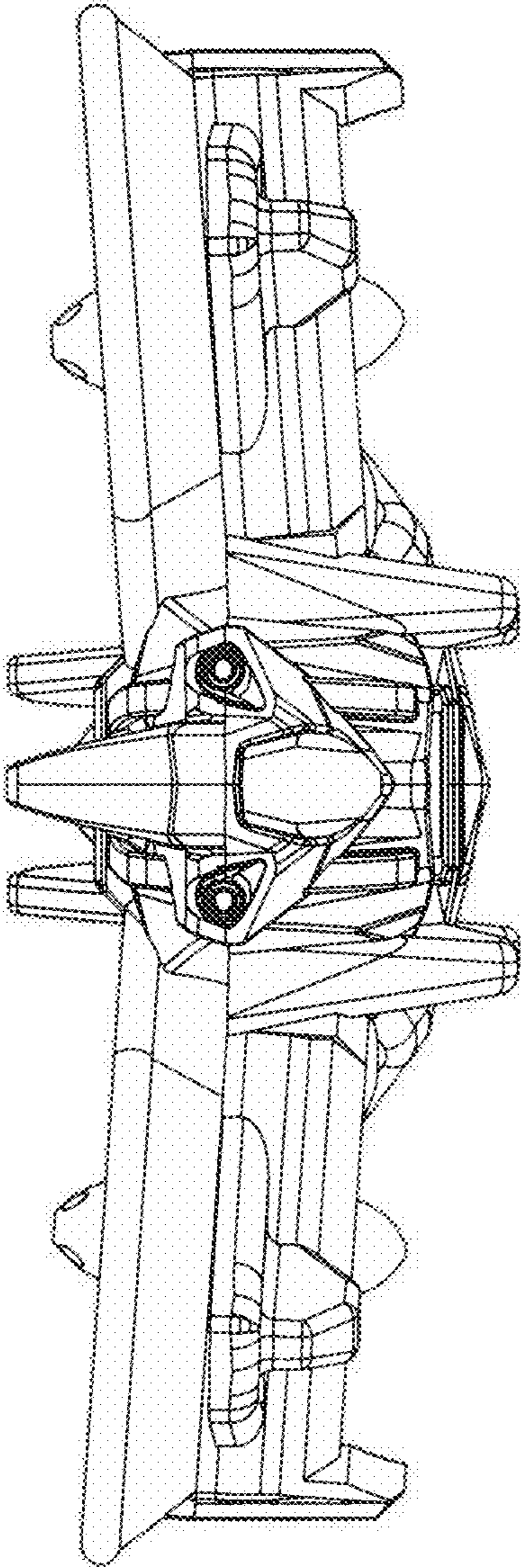


FIG. 2

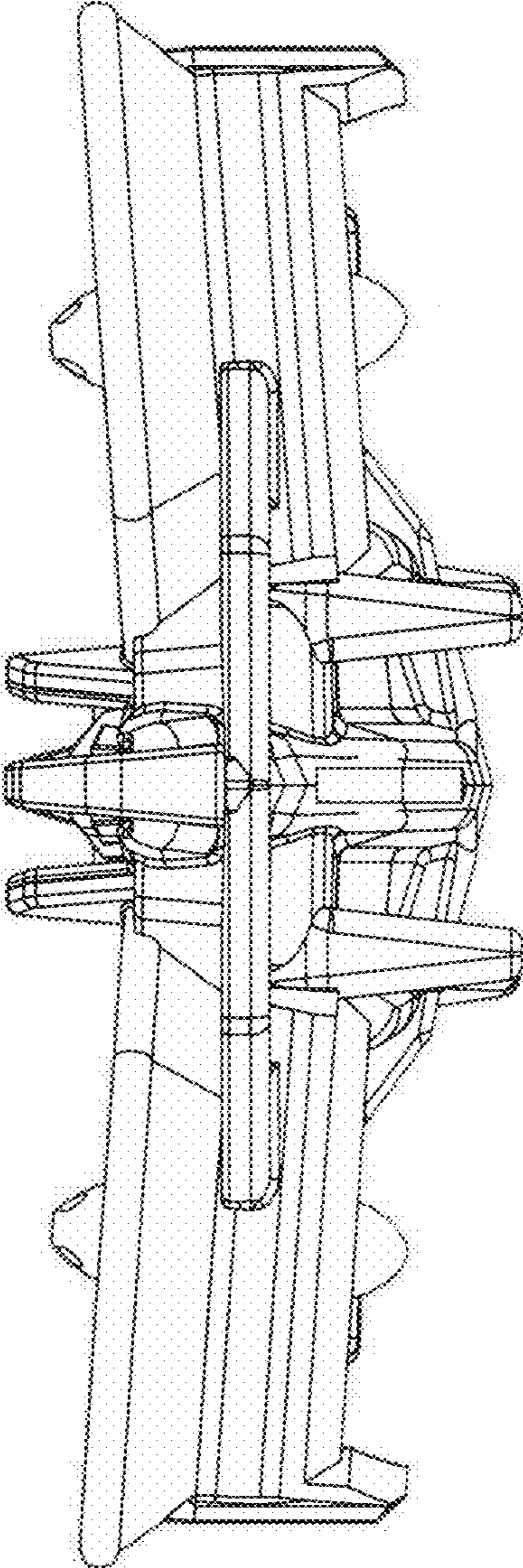


FIG. 3

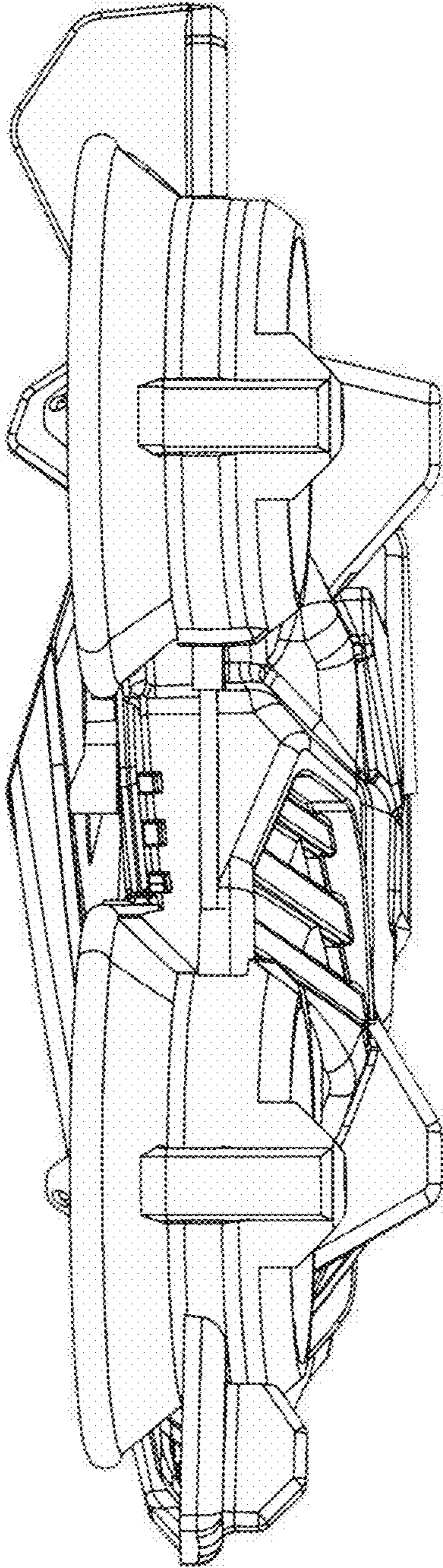


FIG. 4

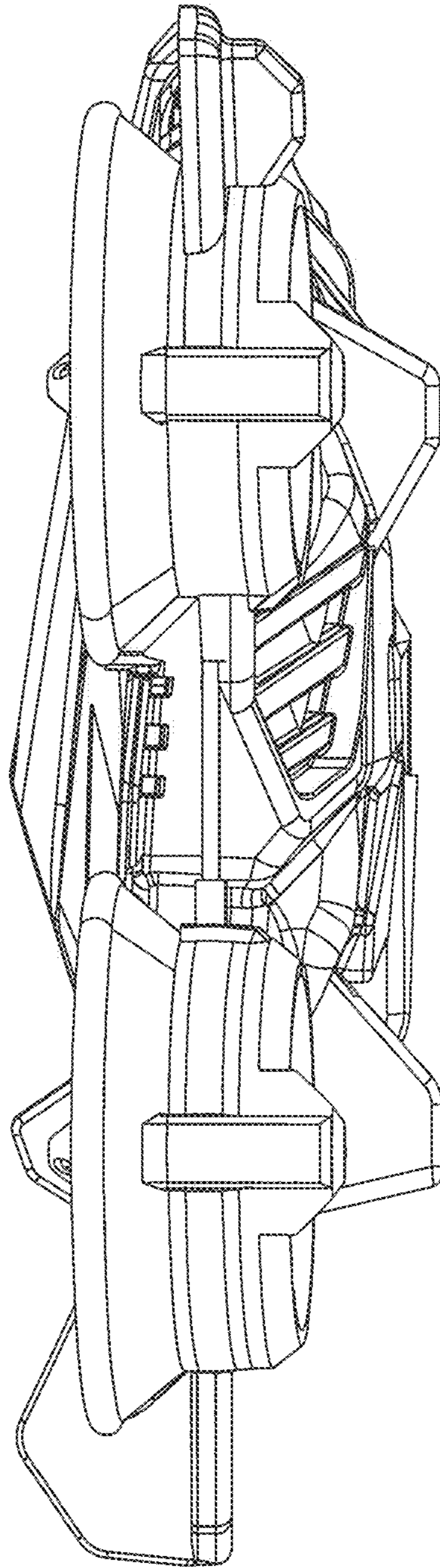


FIG. 5

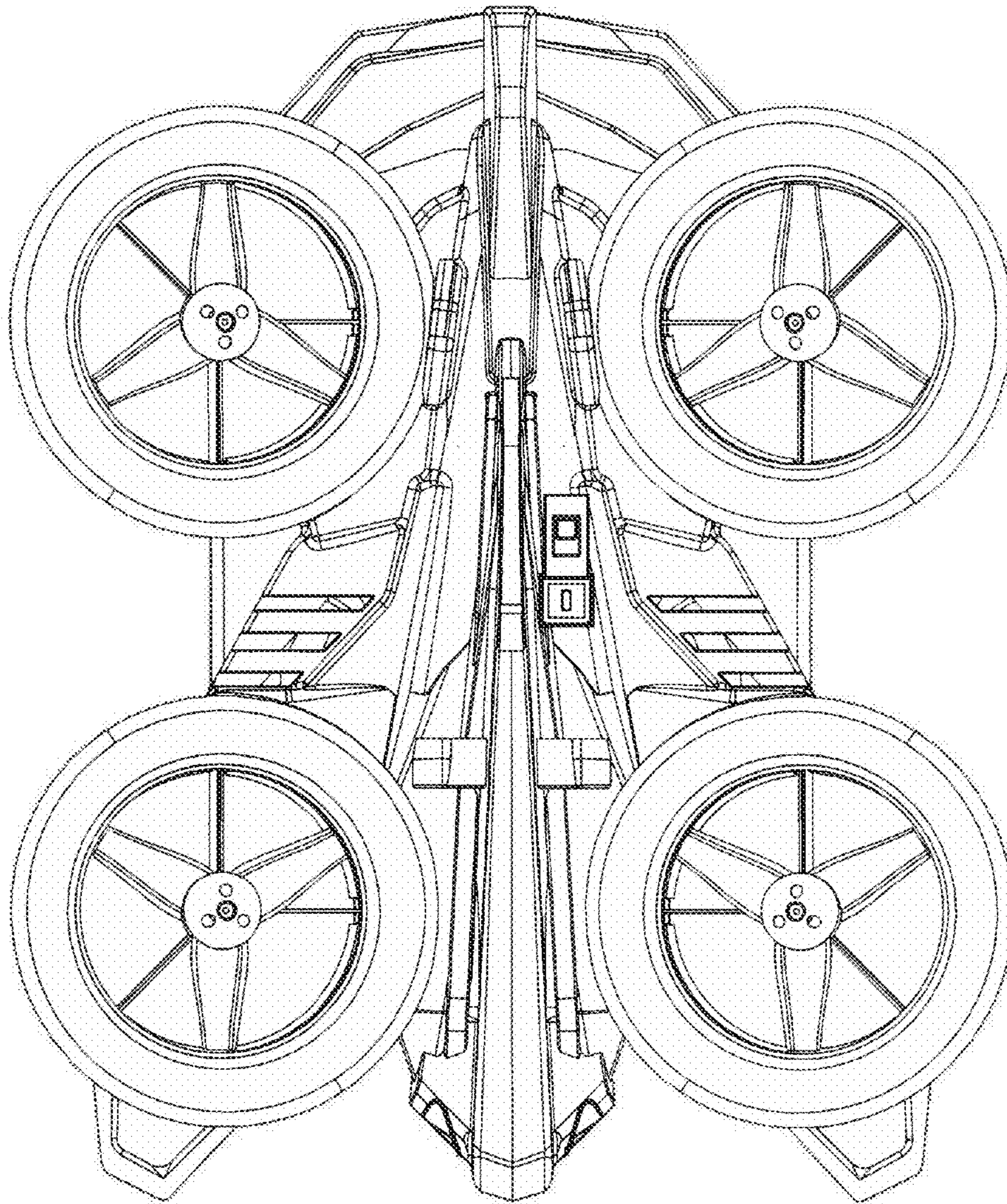


FIG. 6

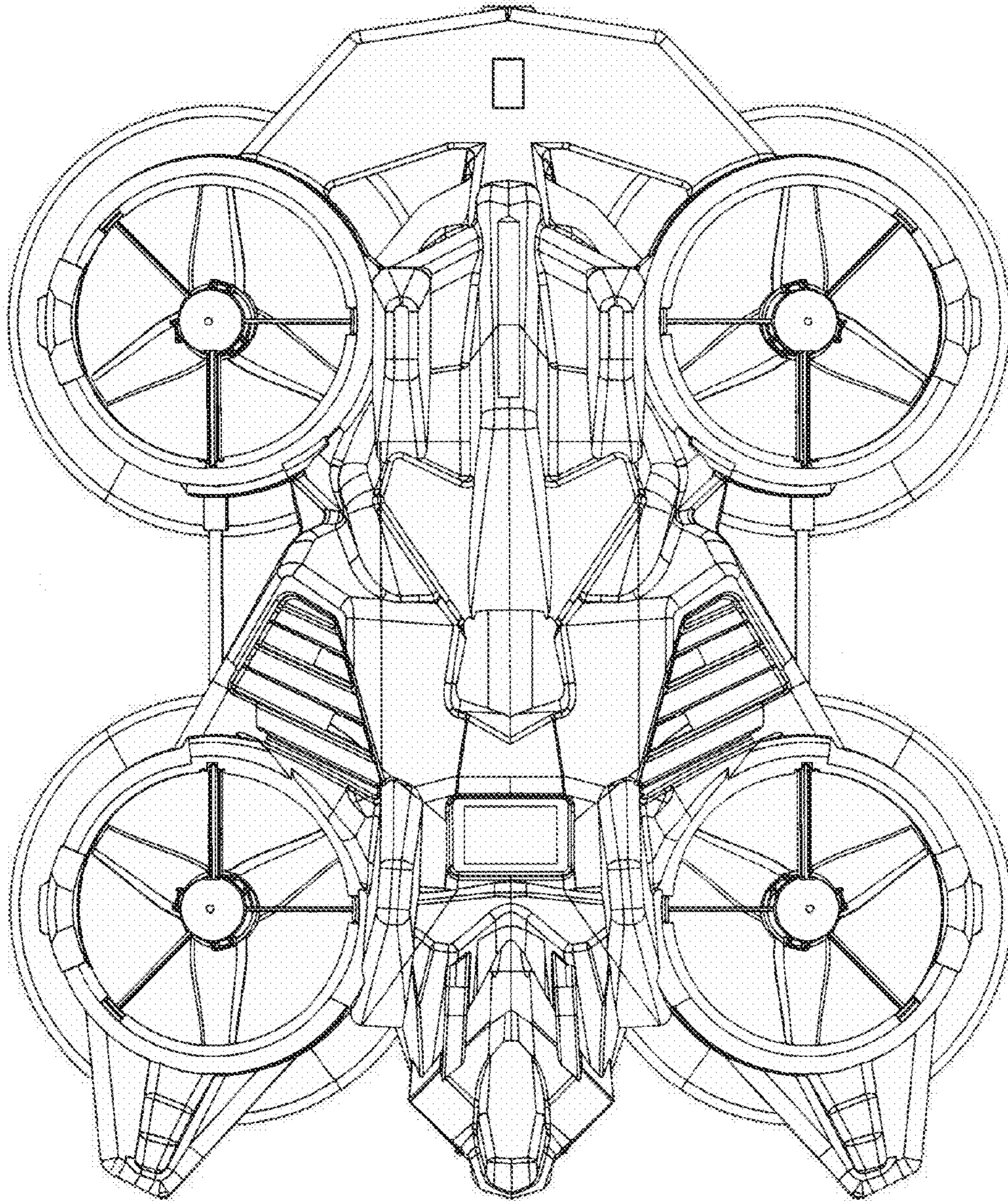


FIG. 7