



US00D708270S

(12) **United States Design Patent**
Heirakuji et al.

(10) **Patent No.:** **US D708,270 S**

(45) **Date of Patent:** **** Jul. 1, 2014**

(54) **SIGN HOLDER**

(71) Applicant: **Apple Inc.**, Cupertino, CA (US)

(72) Inventors: **Russell John Kaaihue Heirakuji**,
Cupertino, CA (US); **Kevin Fenton**
Smeds, San Francisco, CA (US); **Frank**
Craig Thaler, Santa Cruz, CA (US)

(73) Assignee: **Apple Inc.**, Cupertino, CA (US)

(**) Term: **14 Years**

(21) Appl. No.: **29/432,721**

(22) Filed: **Sep. 19, 2012**

(51) **LOC (10) Cl.** **20-03**

(52) **U.S. Cl.**
USPC **D20/43**

(58) **Field of Classification Search**
USPC D20/10, 19, 40, 43, 44, 99; 40/446,
40/581, 584, 606.01, 606.19, 607.13,
40/611.01, 618, 642.02, 649-651, 661,
40/765, 781, 790; D6/600, 614, 672;
D14/447

See application file for complete search history.

(56) **References Cited**

U.S. PATENT DOCUMENTS

2,364,870	A *	12/1944	Otto	156/222
5,018,291	A *	5/1991	Pasquale et al.	40/584
D346,829	S *	5/1994	Keefe	D20/40
D357,505	S *	4/1995	Callas	D20/43
D366,066	S *	1/1996	Callas	D20/43
5,618,141	A *	4/1997	Field	40/607.13
D392,474	S	3/1998	Frasketi	
D476,818	S *	7/2003	Stravitz	D6/300
7,228,654	B2 *	6/2007	Stravitz	40/781
D673,571	S	1/2013	Akana et al.	
D673,572	S	1/2013	Akana et al.	

D687,441	S *	8/2013	Janzen	D14/447
D690,138	S *	9/2013	Kikkert et al.	D6/672
D691,208	S *	10/2013	Gorelick	D20/10
D697,516	S *	1/2014	Feldstein et al.	D14/447
2012/0304513	A1 *	12/2012	Gorelick	40/581
2013/0326922	A1 *	12/2013	Lyons et al.	40/611.01

* cited by examiner

Primary Examiner — Mary Ann Calabrese

(74) *Attorney, Agent, or Firm* — Sterne, Kessler, Goldstein & Fox P.L.L.C.

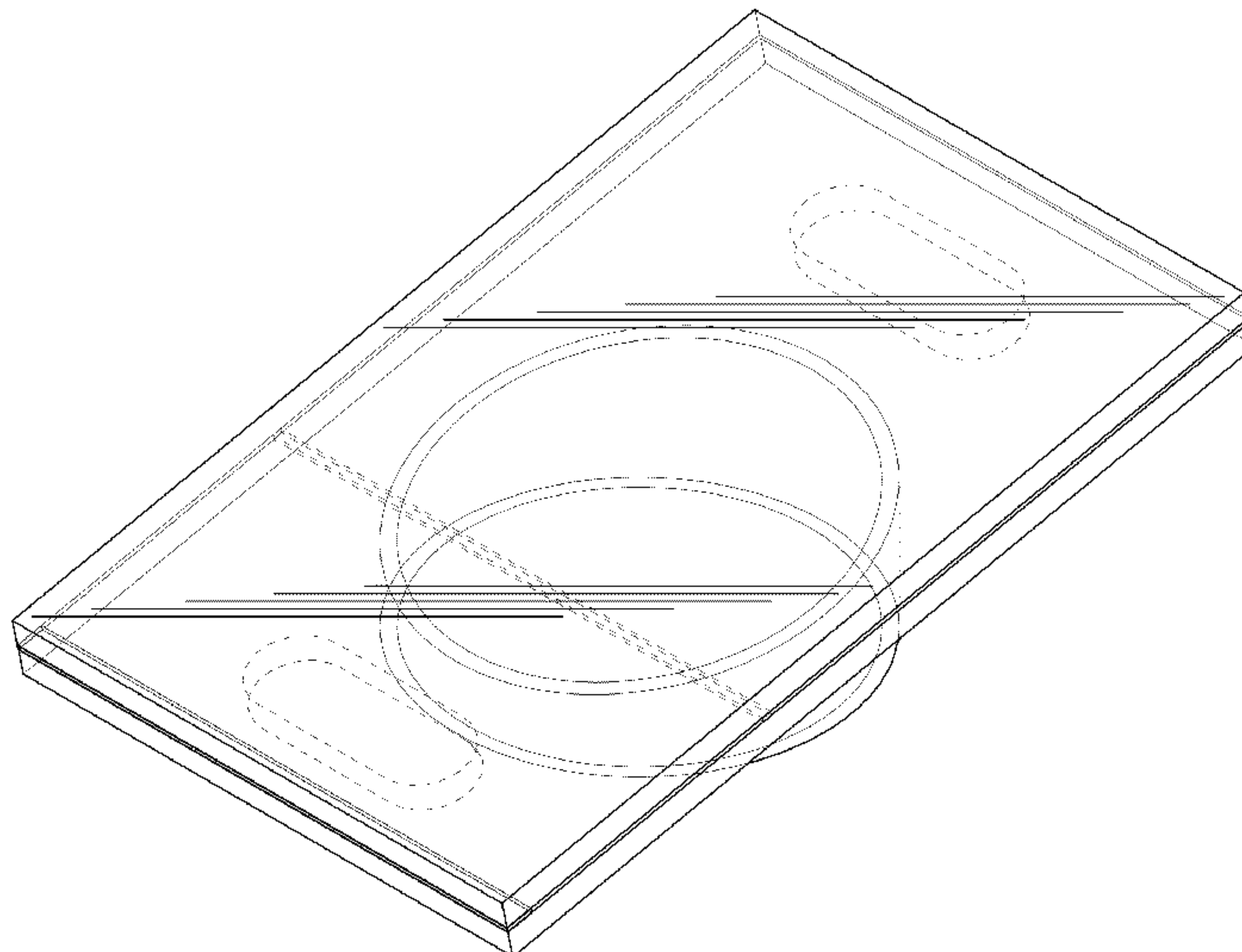
(57) **CLAIM**

The ornamental design for a sign holder, as shown and described.

DESCRIPTION

FIG. 1 is a top front perspective view of a sign holder showing our new design;
 FIG. 2 is a bottom rear perspective view thereof;
 FIG. 3 is a front view thereof;
 FIG. 4 is a rear view thereof;
 FIG. 5 is a left side view thereof;
 FIG. 6 is a right side view thereof;
 FIG. 7 is a top view thereof;
 FIG. 8 is a bottom view thereof;
 FIG. 9 is a top front perspective view of the sign holder of FIG. 1 showing insertion of exemplary environmental signs into the sign holder; and;
 FIG. 10 is a top front perspective view of the sign holder of FIG. 1 showing insertion of an exemplary alternate environmental sign into the sign holder.
 The broken lines in the Figures show portions of the sign holder and environment that form no part of the claimed design. The oblique lines in the Figures show transparency and not surface ornamentation.

1 Claim, 10 Drawing Sheets



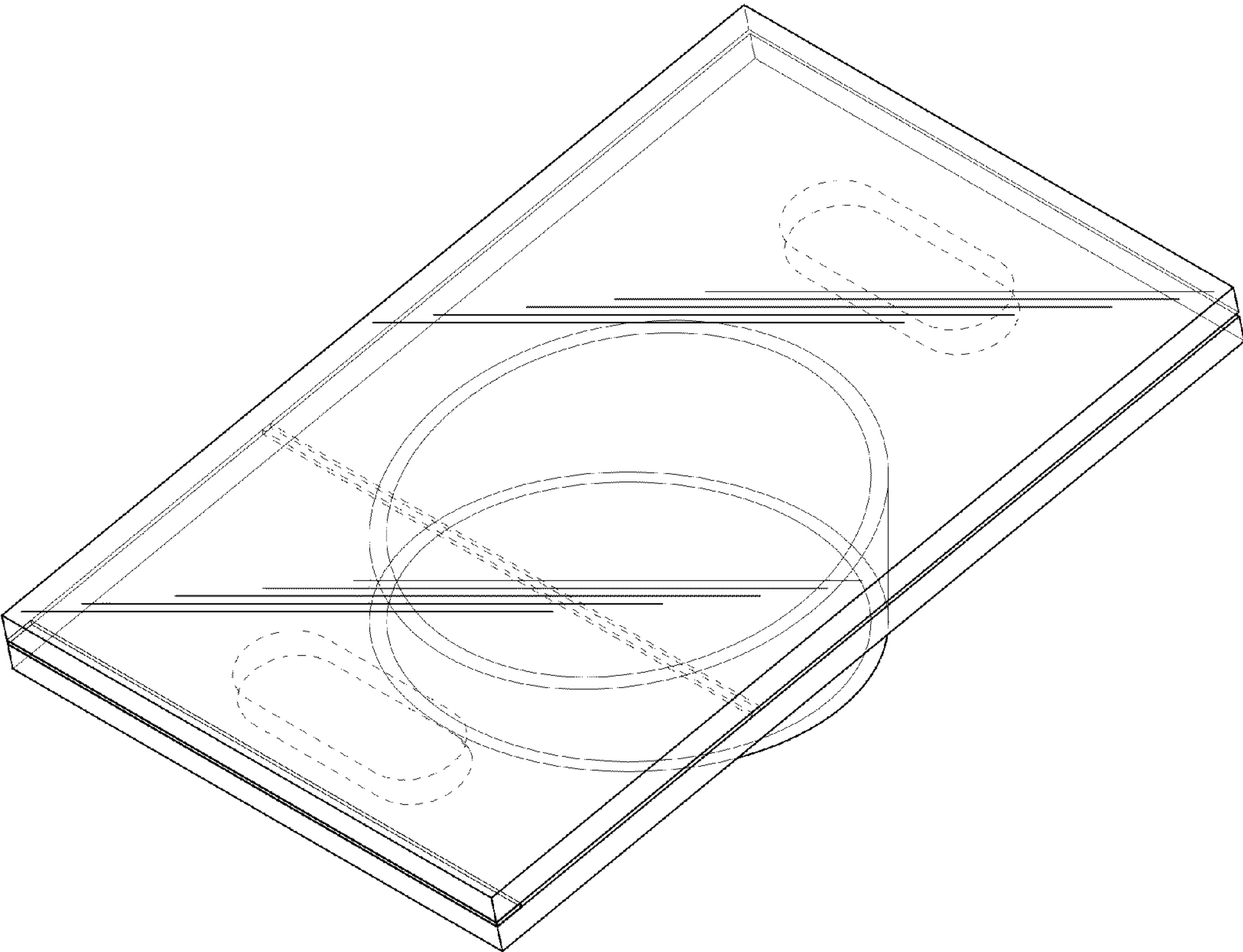


FIG. 1

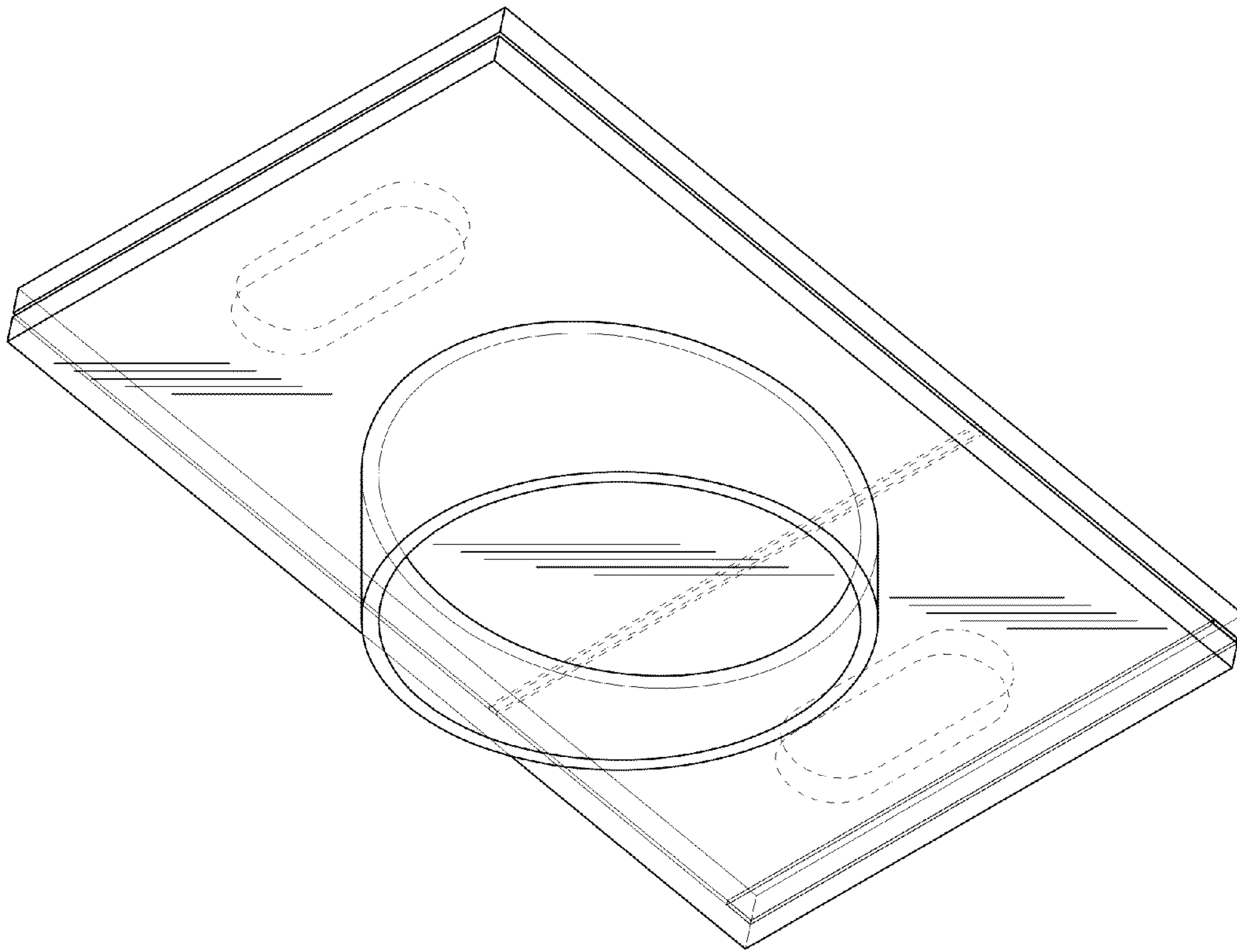


FIG. 2

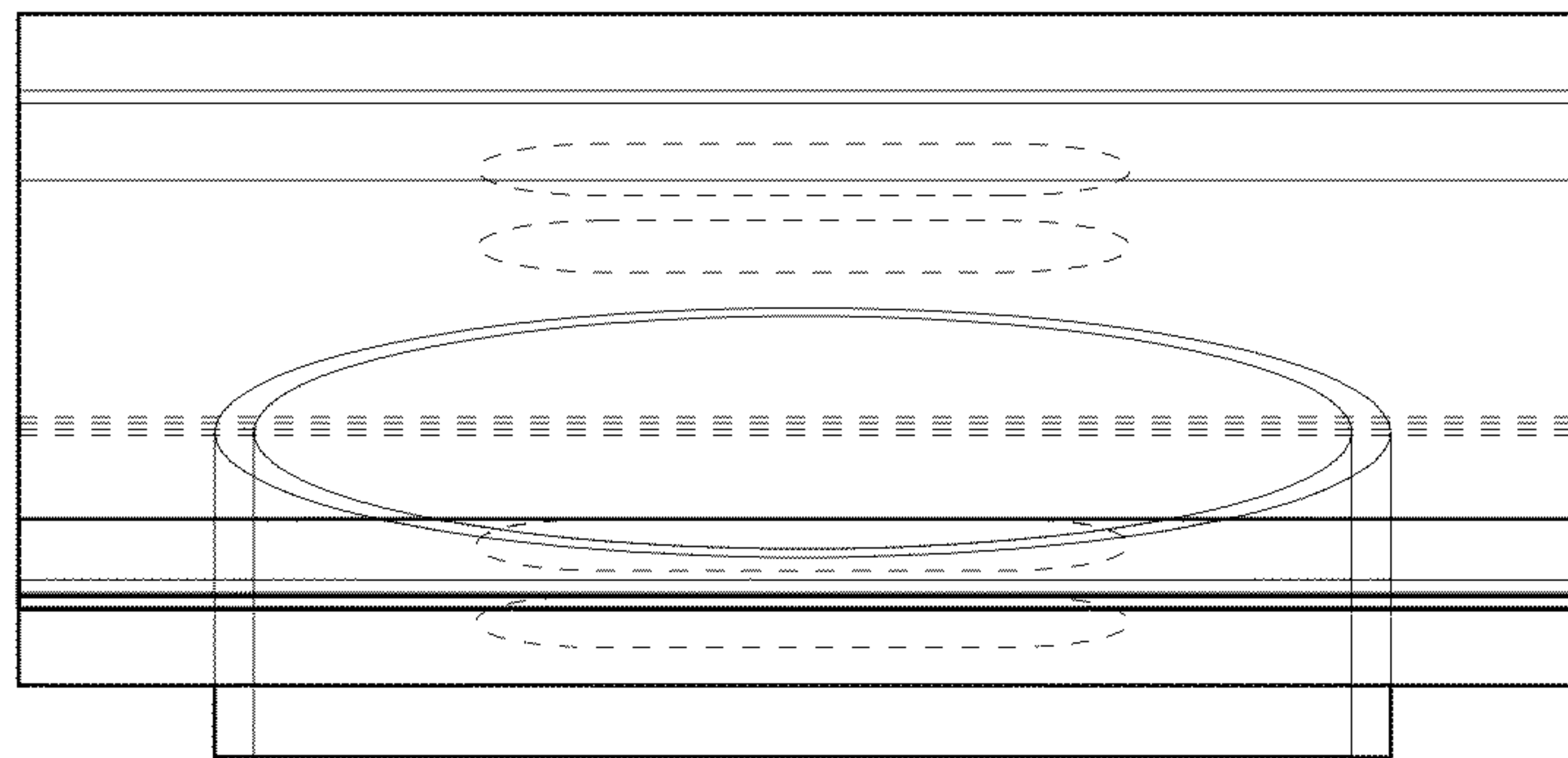


FIG. 3

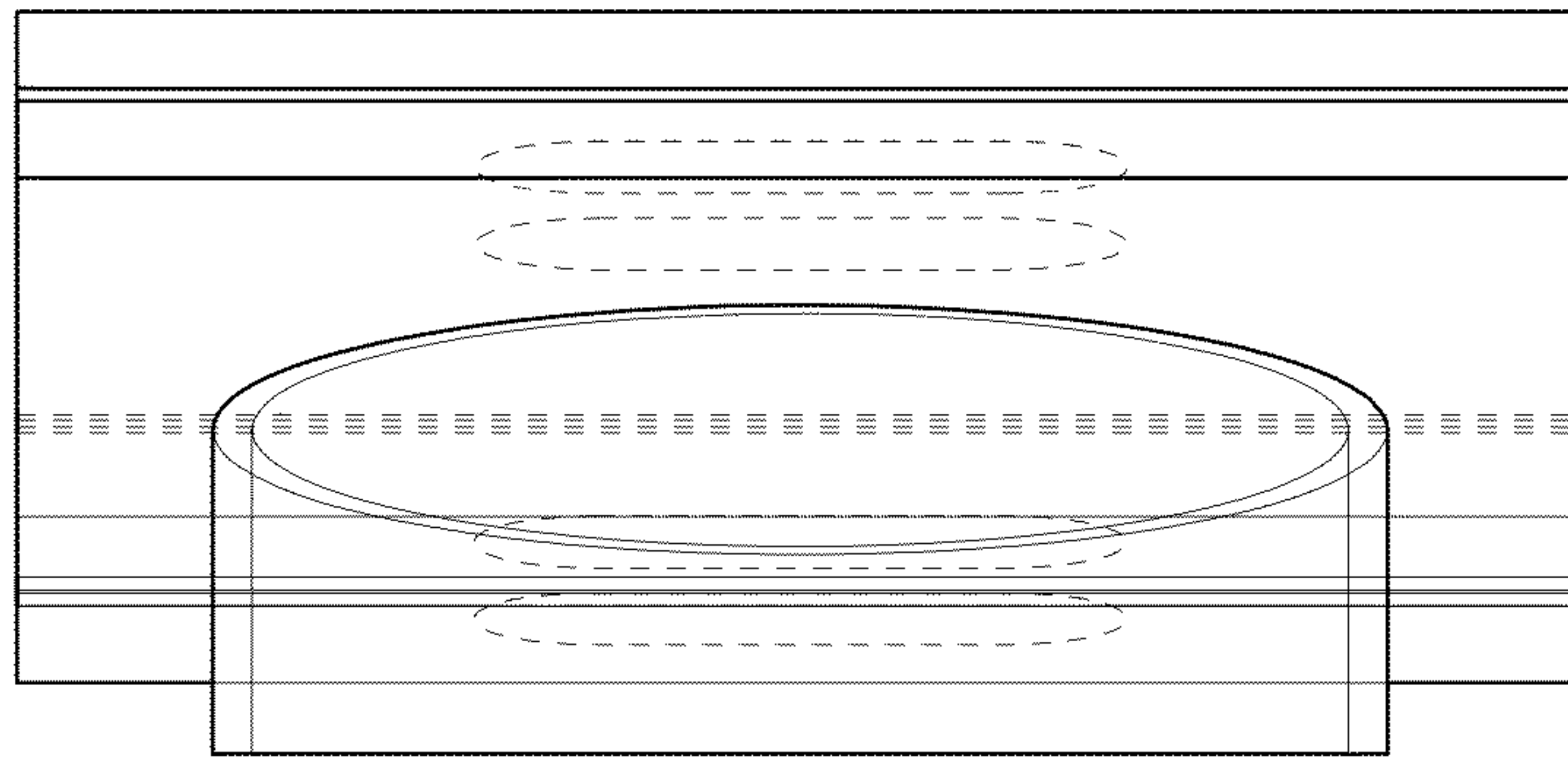


FIG. 4

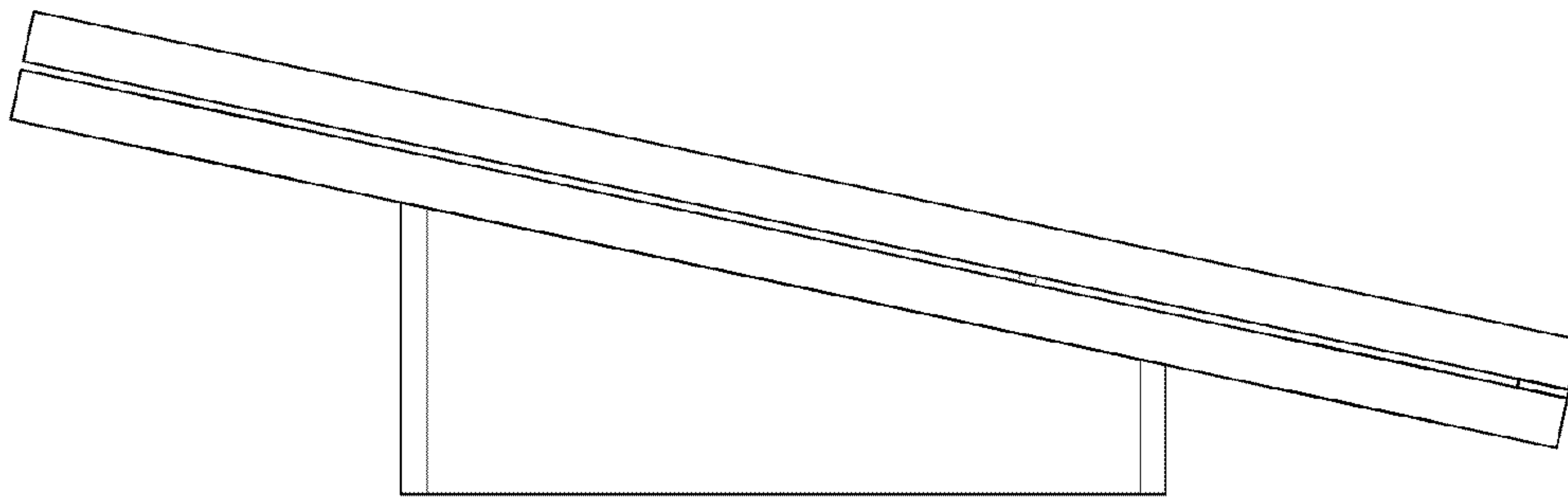


FIG. 5

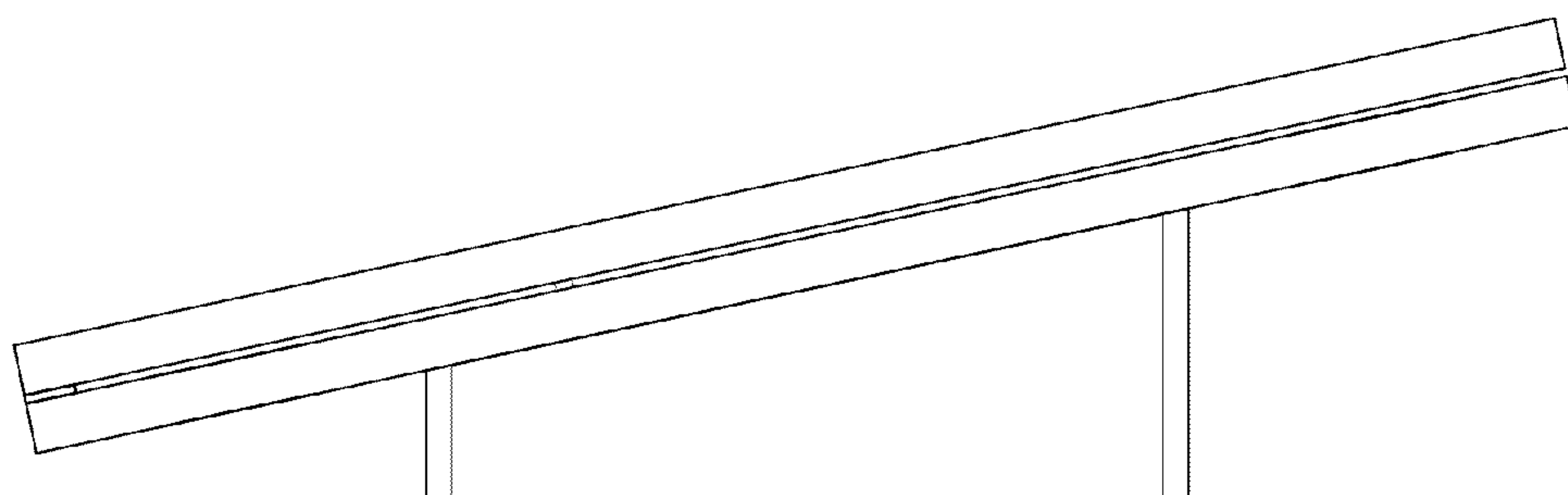


FIG. 6

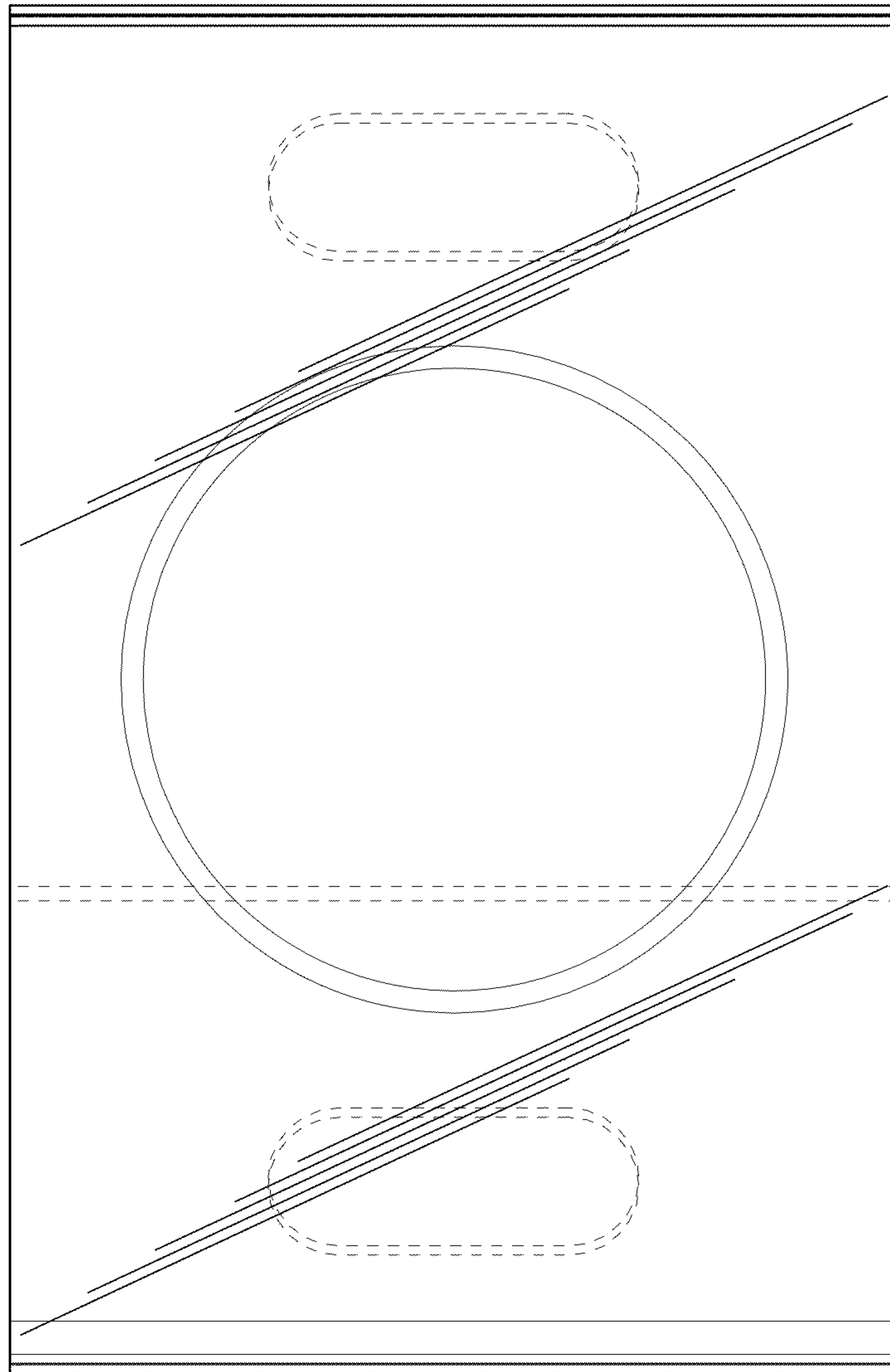


FIG. 7

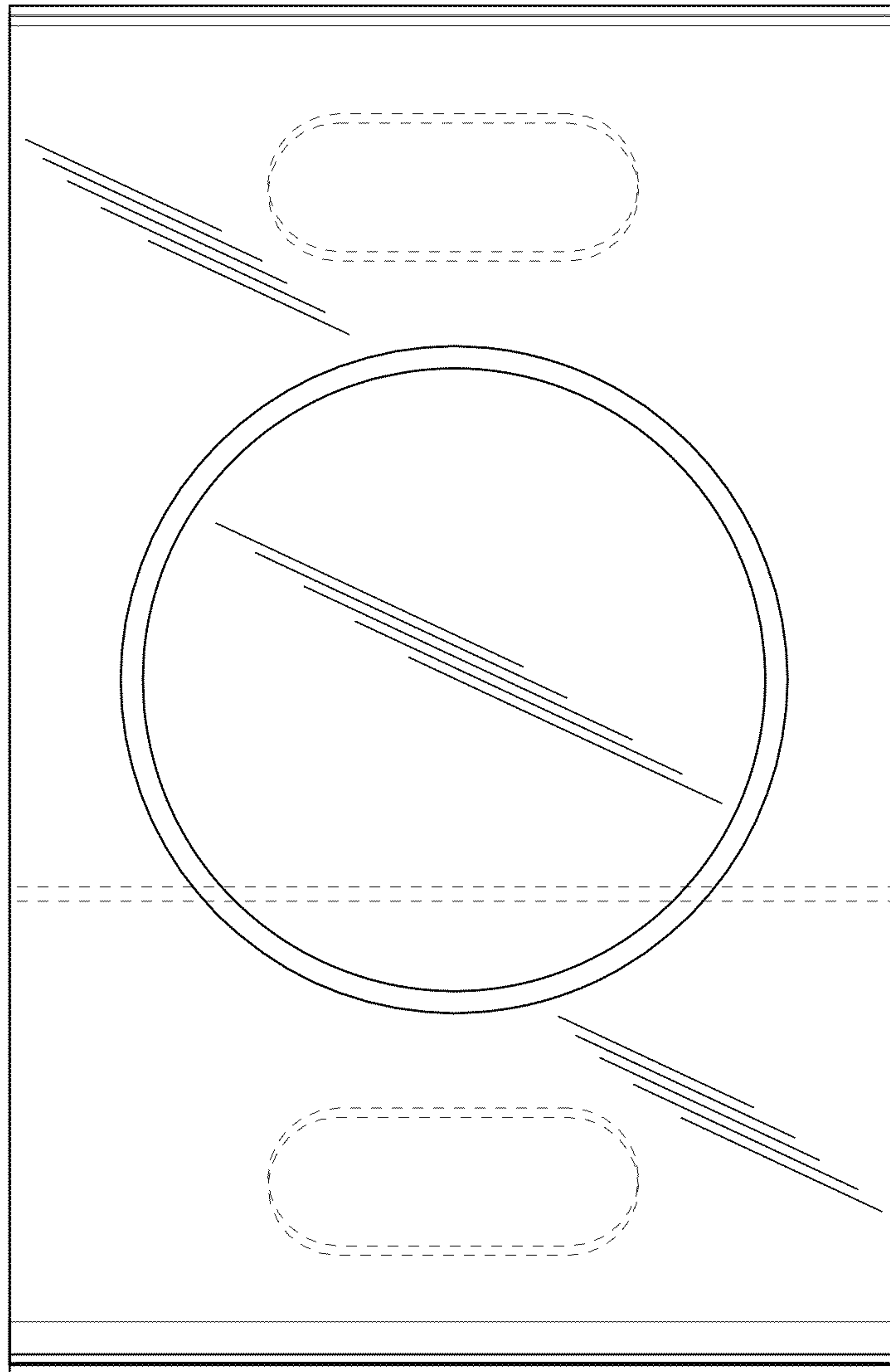


FIG. 8

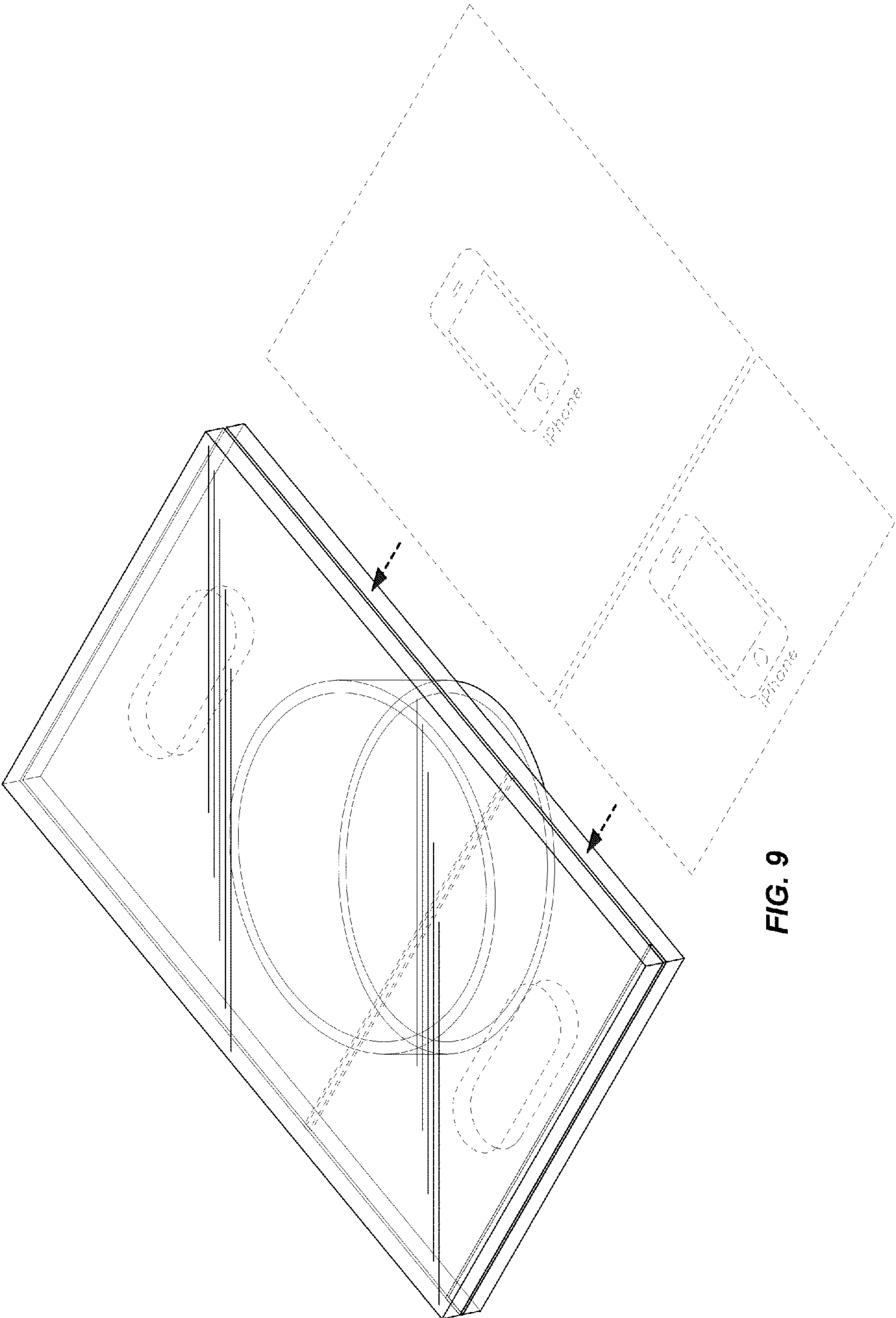


FIG. 9

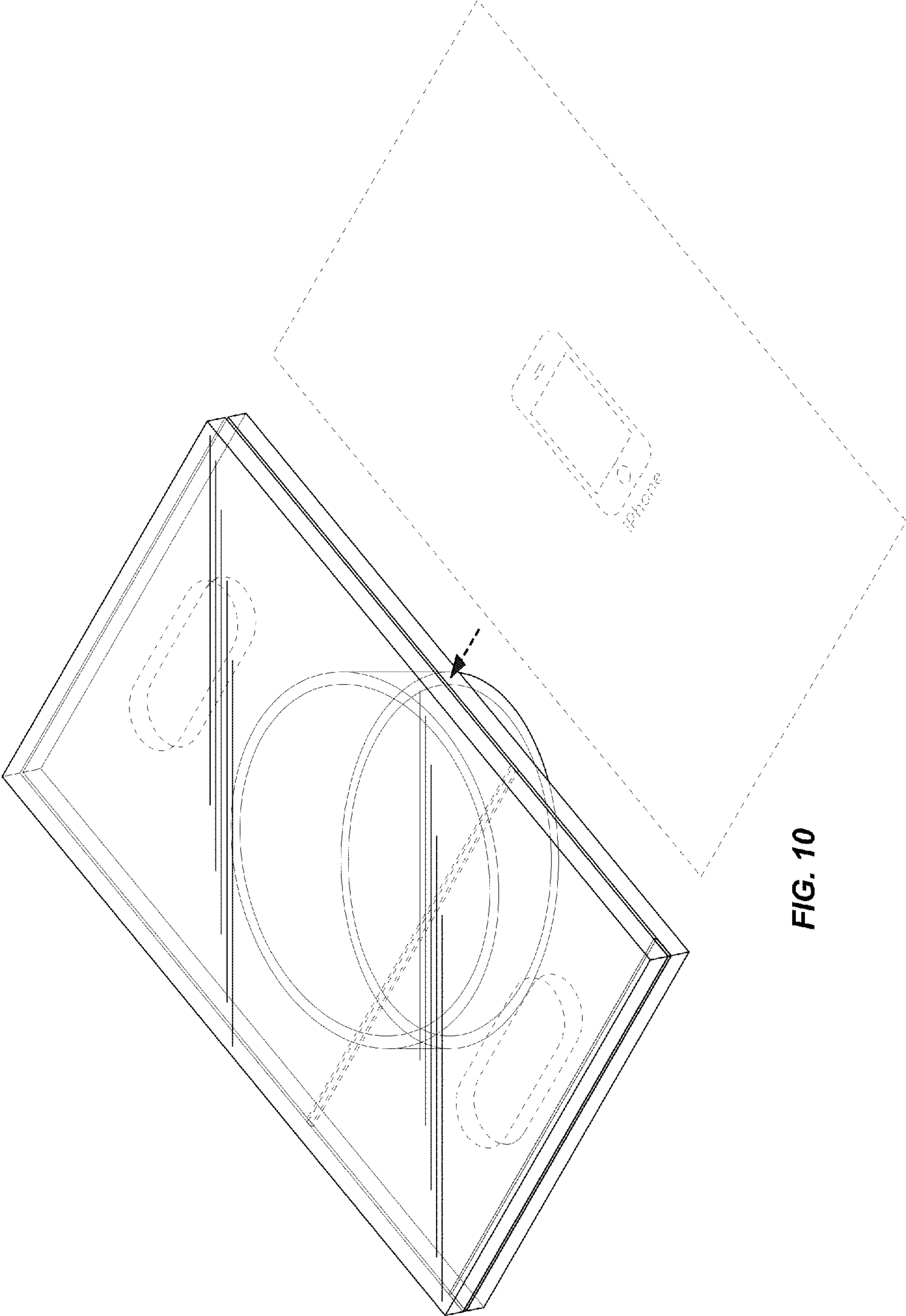


FIG. 10