



US00D708264S

(12) **United States Design Patent**
Roundy

(10) **Patent No.:** **US D708,264 S**
(45) **Date of Patent:** **** Jul. 1, 2014**

- (54) **PEN CLIP**
- (71) Applicant: **Ernest T. Roundy**, Buchanan, MI (US)
- (72) Inventor: **Ernest T. Roundy**, Buchanan, MI (US)
- (**) Term: **14 Years**
- (21) Appl. No.: **29/443,109**
- (22) Filed: **Jan. 14, 2013**
- (51) **LOC (10) Cl.** **19-06**
- (52) **U.S. Cl.**
USPC **D19/197**
- (58) **Field of Classification Search**
CPC B43K 29/007; B43K 29/00; B43K 29/02;
B43K 20/10; B43K 23/00; B43K 23/12;
G09F 2023/0016
USPC D14/411; D19/35, 36, 41-51, 53-58,
D19/81-85, 135, 196, 197; 24/11 R, 11 F,
24/11 P; 401/52, 99-109, 192, 195, 196;
40/334
See application file for complete search history.

(56) **References Cited**

U.S. PATENT DOCUMENTS

1,211,356	A *	1/1917	Roetker	40/335
1,609,567	A	12/1926	Mooney	
2,074,378	A *	3/1937	Elkins	248/469
2,268,116	A	12/1941	Gordon	
2,513,046	A *	6/1950	Pellard	132/316
2,531,113	A	11/1950	Davis	
2,588,692	A	3/1952	Bartlett	
D177,660	S *	5/1956	Blish	D19/58
2,804,082	A *	8/1957	Dewing	132/316
D185,331	S *	5/1959	Tannenbaum	D19/36
3,571,708	A	3/1971	Hurt	
3,666,372	A *	5/1972	Lipkowski	401/8
D231,138	S *	4/1974	Ewry	D19/51
3,961,852	A *	6/1976	Parry	401/195
4,129,925	A *	12/1978	Brown	24/11 CC
D267,256	S *	12/1982	Zepell	D19/56

4,361,934	A	12/1982	Darnell	
D267,654	S *	1/1983	Nadel	D19/43
D300,833	S *	4/1989	McShirley	D19/46
D346,619	S *	5/1994	Ho	D19/36
5,909,740	A *	6/1999	Sussman	132/318
5,913,317	A *	6/1999	Tiram	132/291
6,045,281	A *	4/2000	Bunn et al.	401/195
6,138,688	A *	10/2000	Lombardi, Jr.	132/297

(Continued)

OTHER PUBLICATIONS

Spring Clip Ballpoint Pen. <http://www.epromos.com/product/8832013.html>, Nov. 1, 2011.

(Continued)

Primary Examiner — Elizabeth Albert
(74) *Attorney, Agent, or Firm* — Robert C. Montgomery;
Montgomery Patent & Design

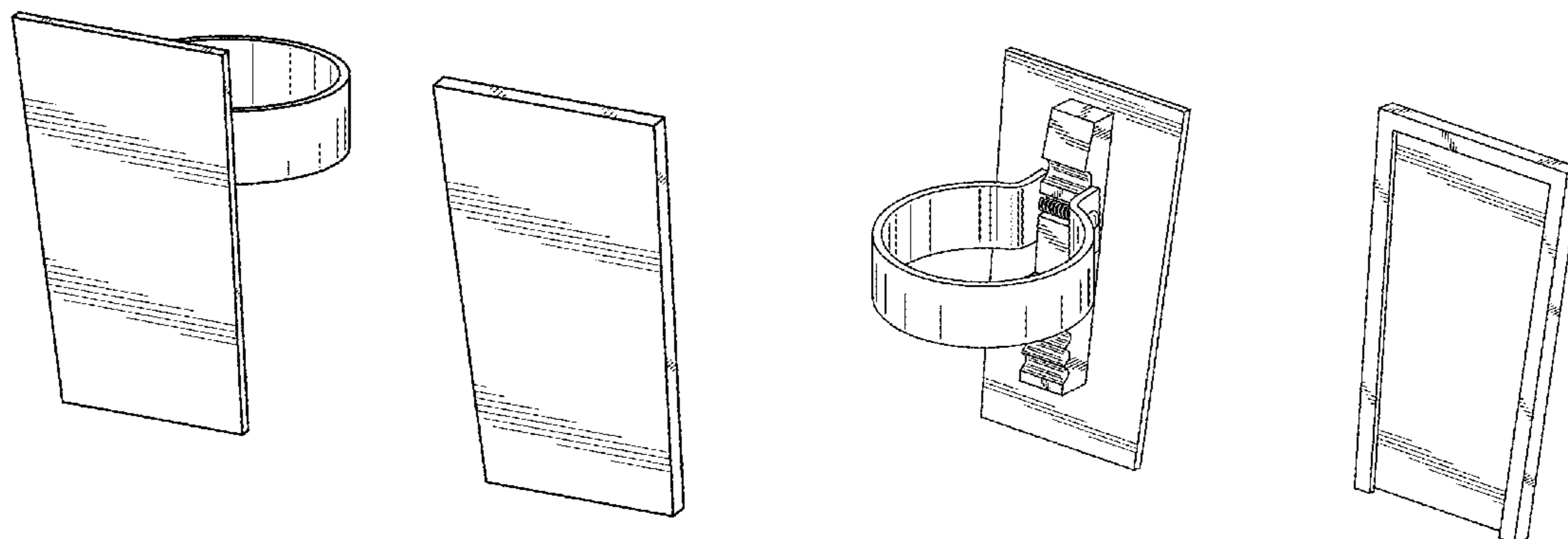
(57) **CLAIM**

The ornamental design for a pen clip, as shown and described.

DESCRIPTION

FIG. 1 is a perspective view of a pen clip showing my new design;
 FIG. 2 is a perspective view thereof without environmental features;
 FIG. 3 is an exploded perspective front view thereof;
 FIG. 4 is an exploded perspective rear view thereof;
 FIG. 5 is an exploded front view thereof;
 FIG. 6 is an exploded rear view thereof;
 FIG. 7 is an exploded left view thereof, with a right view being a mirror image;
 FIG. 8 is an exploded top view thereof; and,
 FIG. 9 is an exploded bottom view thereof.
 The broken line showing of a pen is for the purpose of illustrating environmental structure and forms no part of the claimed design.

1 Claim, 9 Drawing Sheets



(56)

References Cited

U.S. PATENT DOCUMENTS

D450,766 S * 11/2001 Rosenbaum D19/36
6,419,413 B1 * 7/2002 Oliver et al. 401/131
D508,076 S * 8/2005 Kaplan D19/36
D508,200 S * 8/2005 Cagle D9/434
7,086,798 B1 * 8/2006 Cetera 401/195
7,431,527 B2 * 10/2008 Kroggel 401/195
D672,973 S * 12/2012 Klein D6/300
D689,134 S * 9/2013 Landow D19/174

2005/0103917 A1 5/2005 Kish
2009/0016800 A1 1/2009 Barthakur
2011/0086335 A1* 4/2011 Rogers 434/408
2011/0103877 A1* 5/2011 Liu 401/195

OTHER PUBLICATIONS

Pisa Pen with Aluminum Barrel, Chrome Grip & Spring Clip. http://www.promo-wholesale.com/custom/Pens/index_82.htm, Oct. 31, 2011.

* cited by examiner

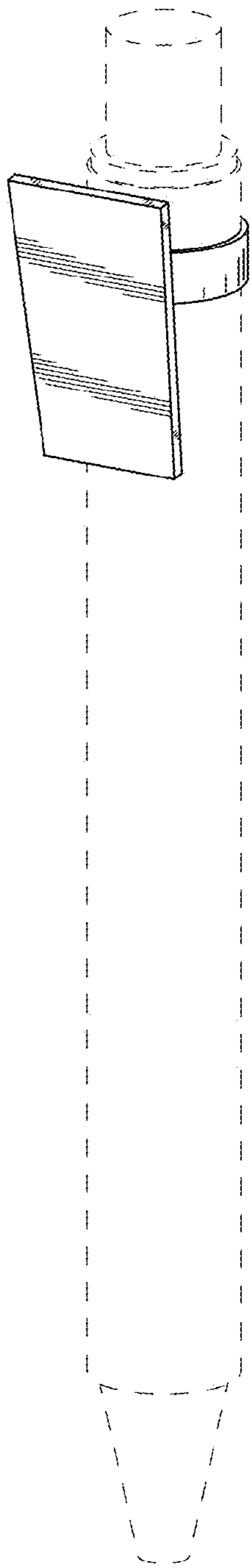


Fig. 1

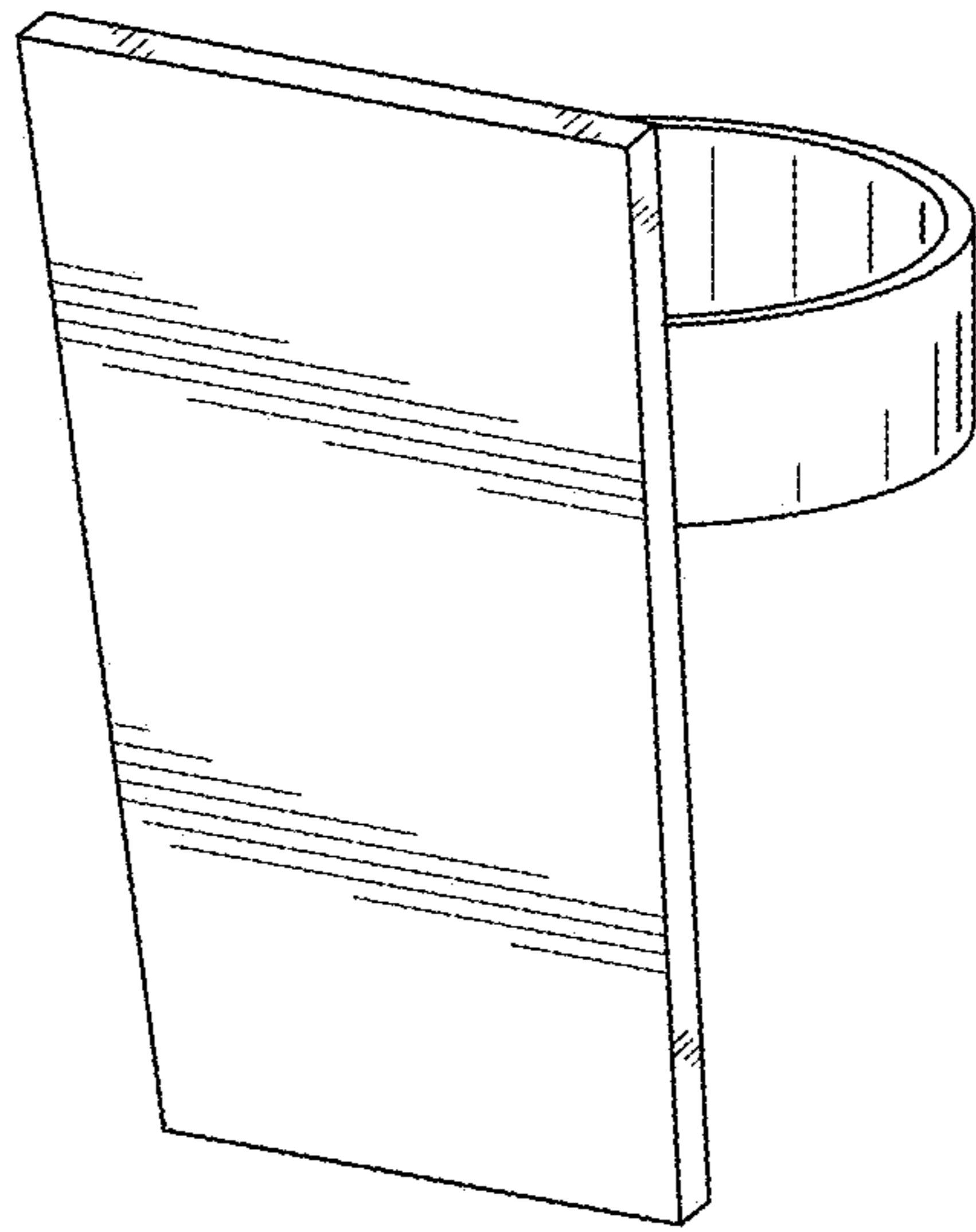


Fig. 2

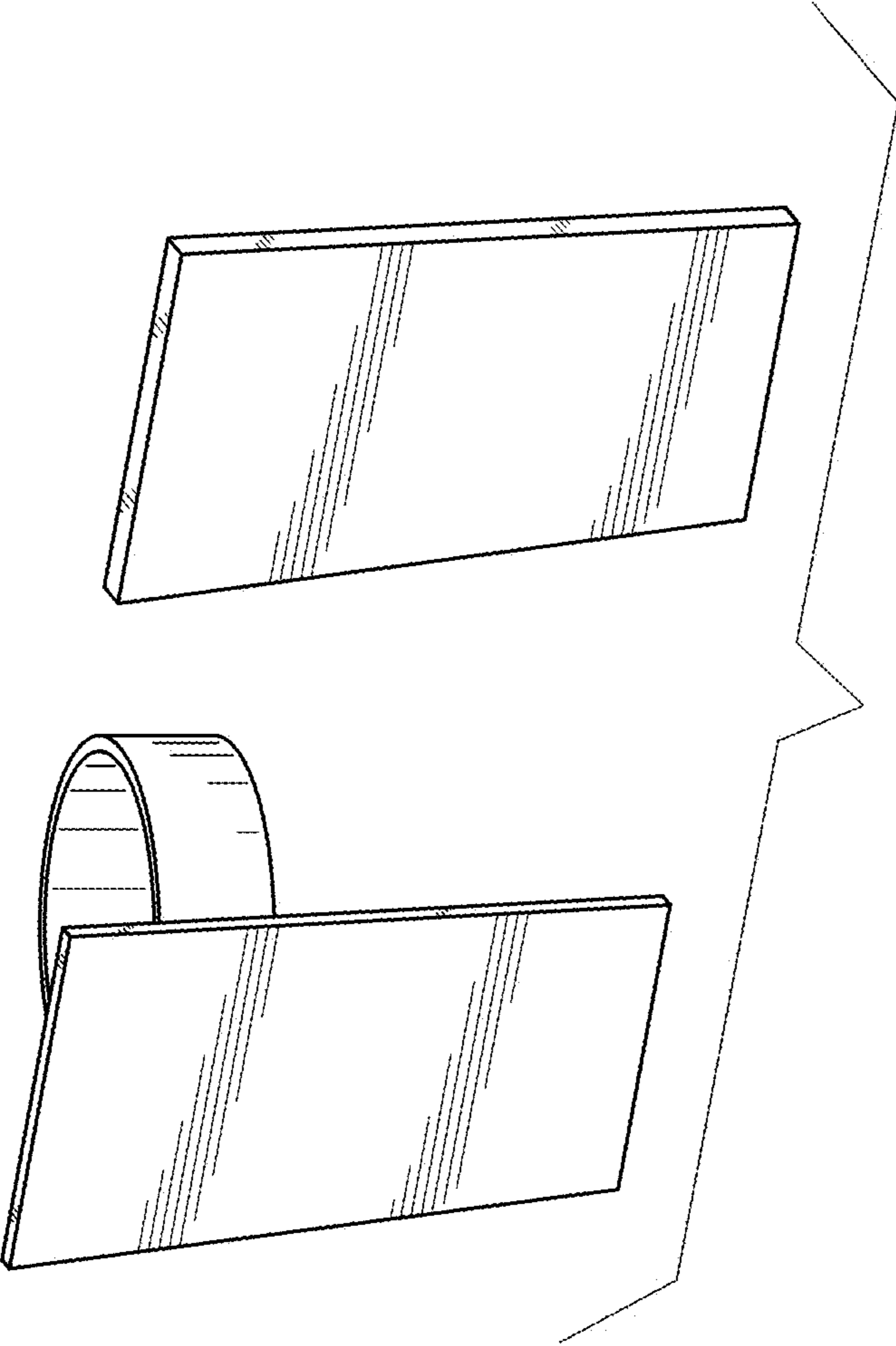


Fig. 3

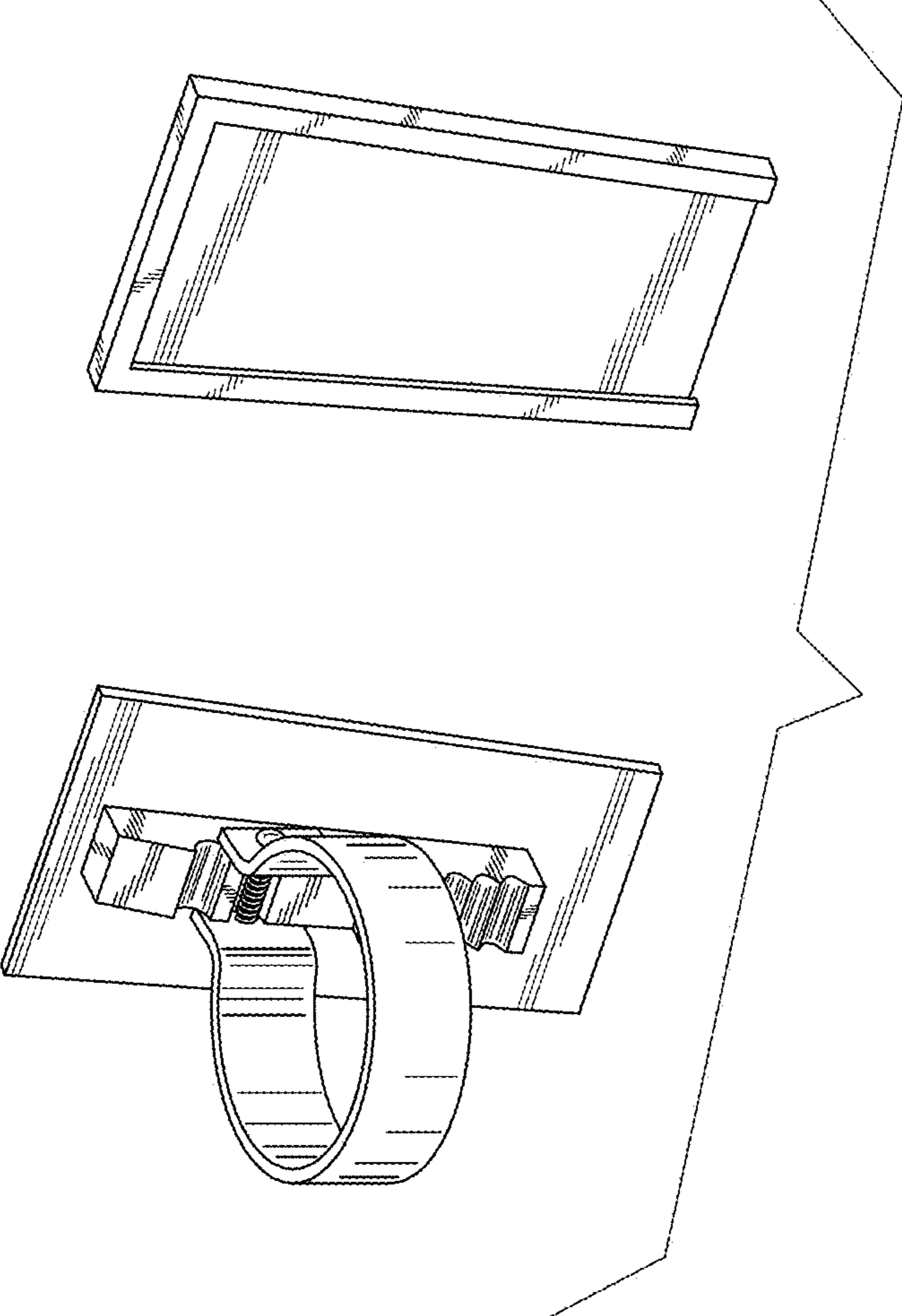


Fig. 4

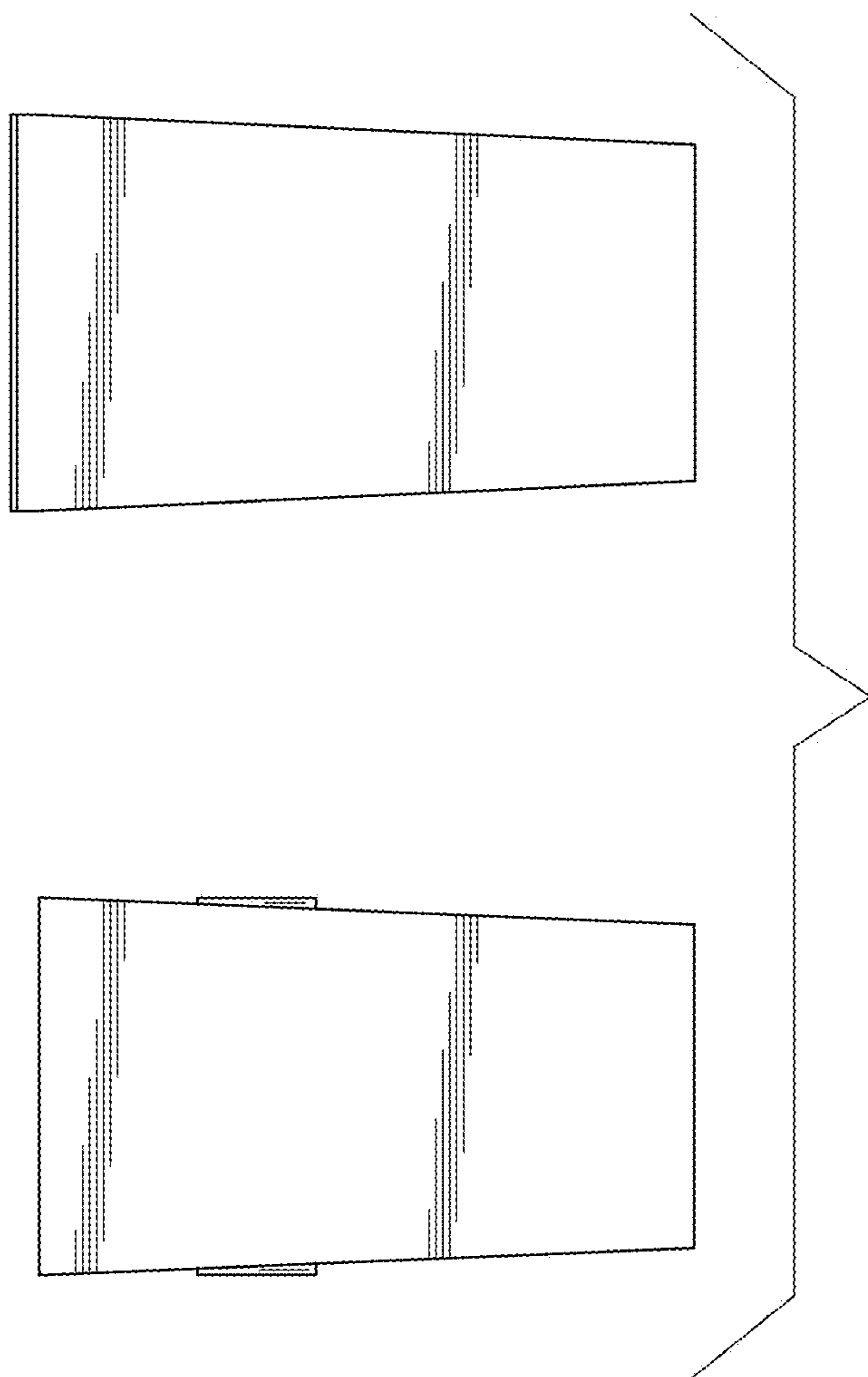


Fig. 5

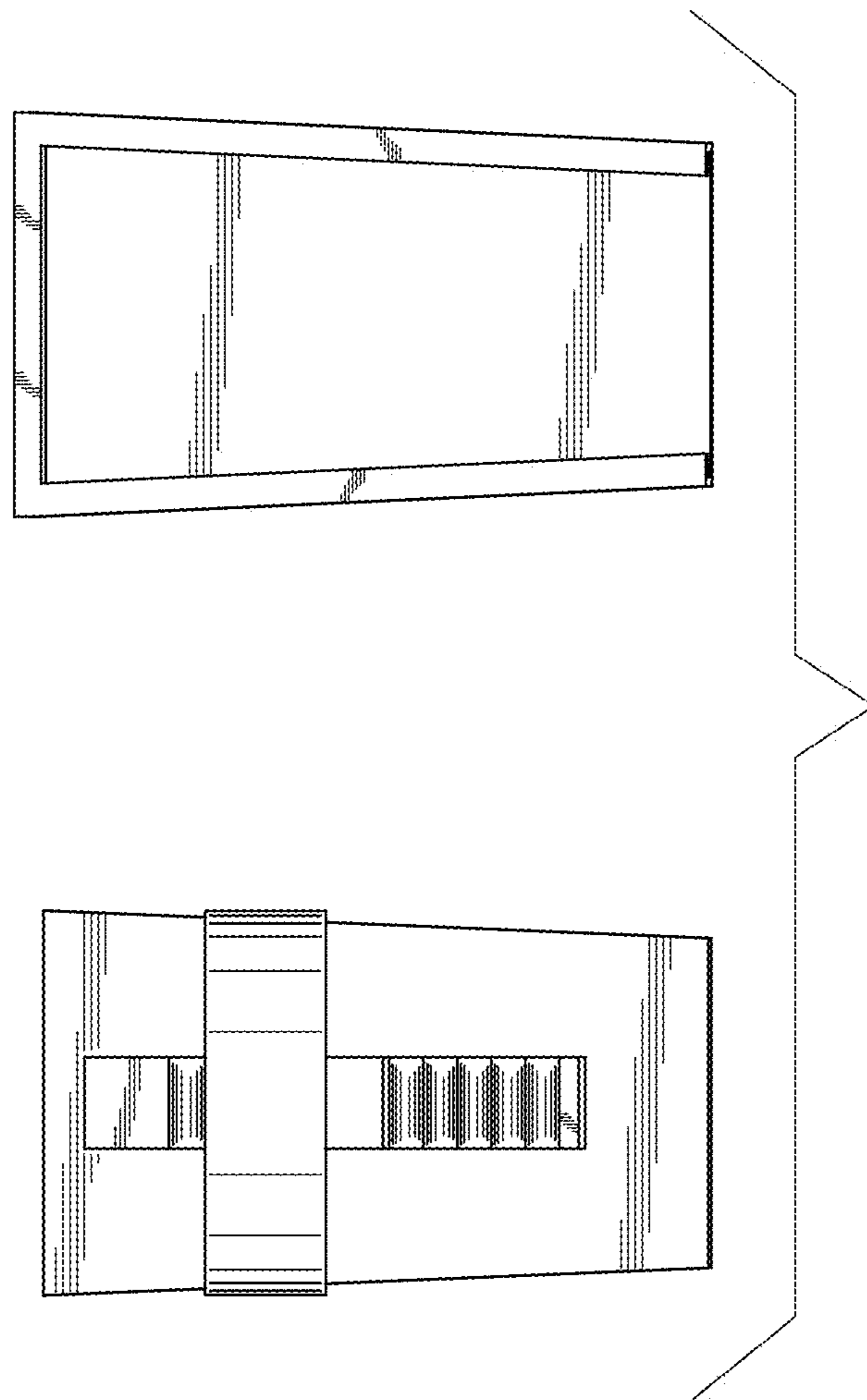


Fig. 6

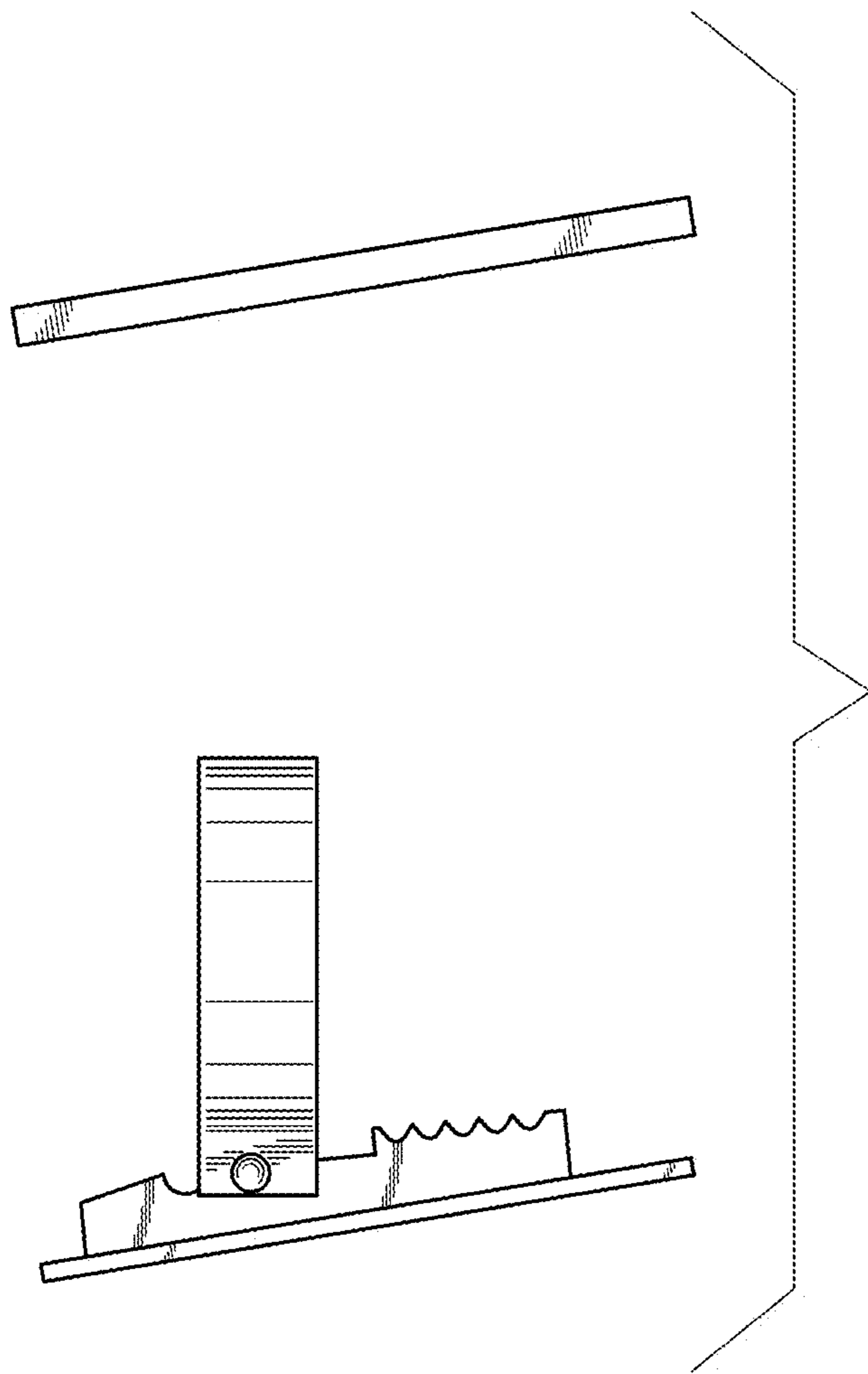


Fig. 7

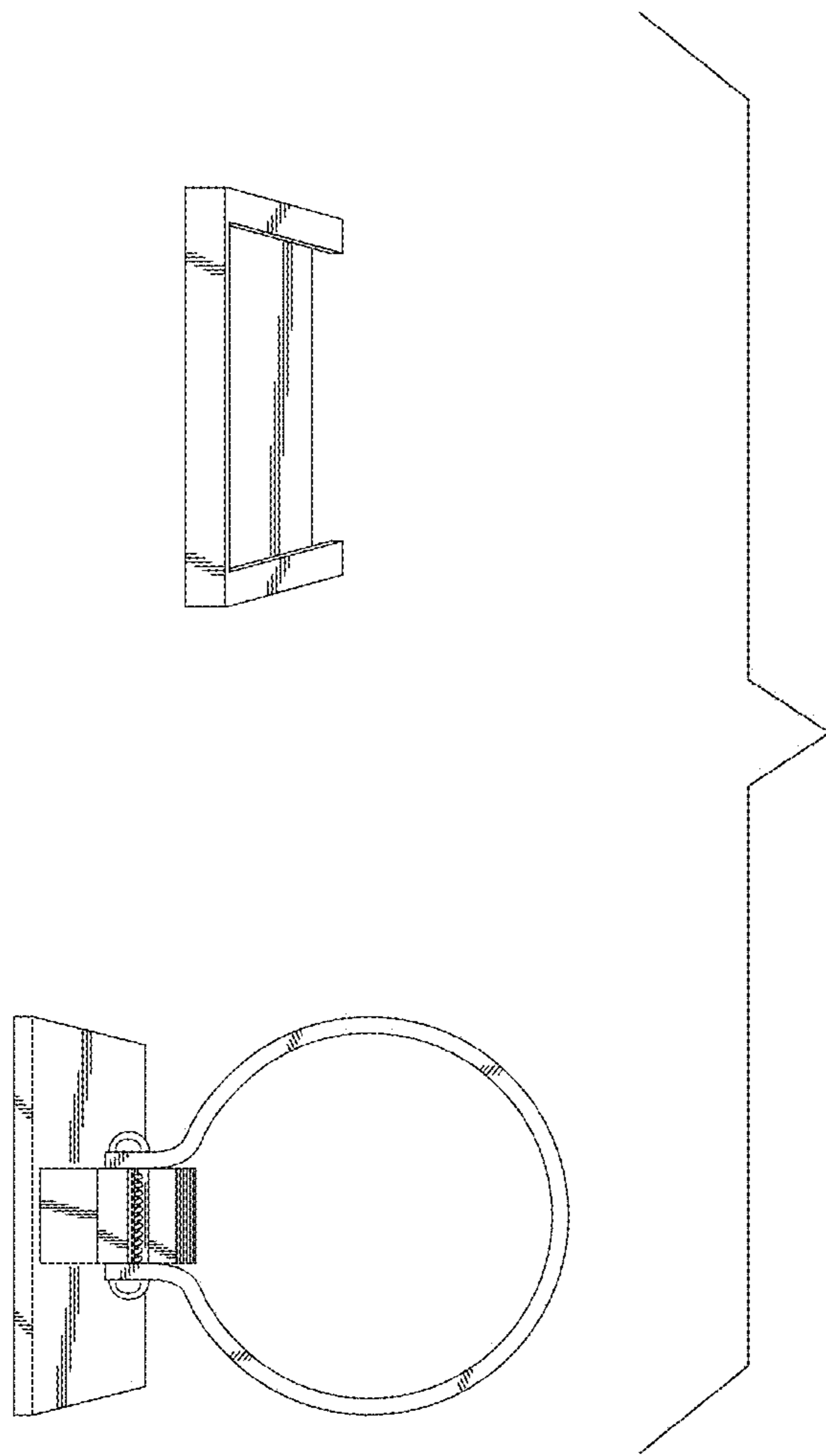


Fig. 8

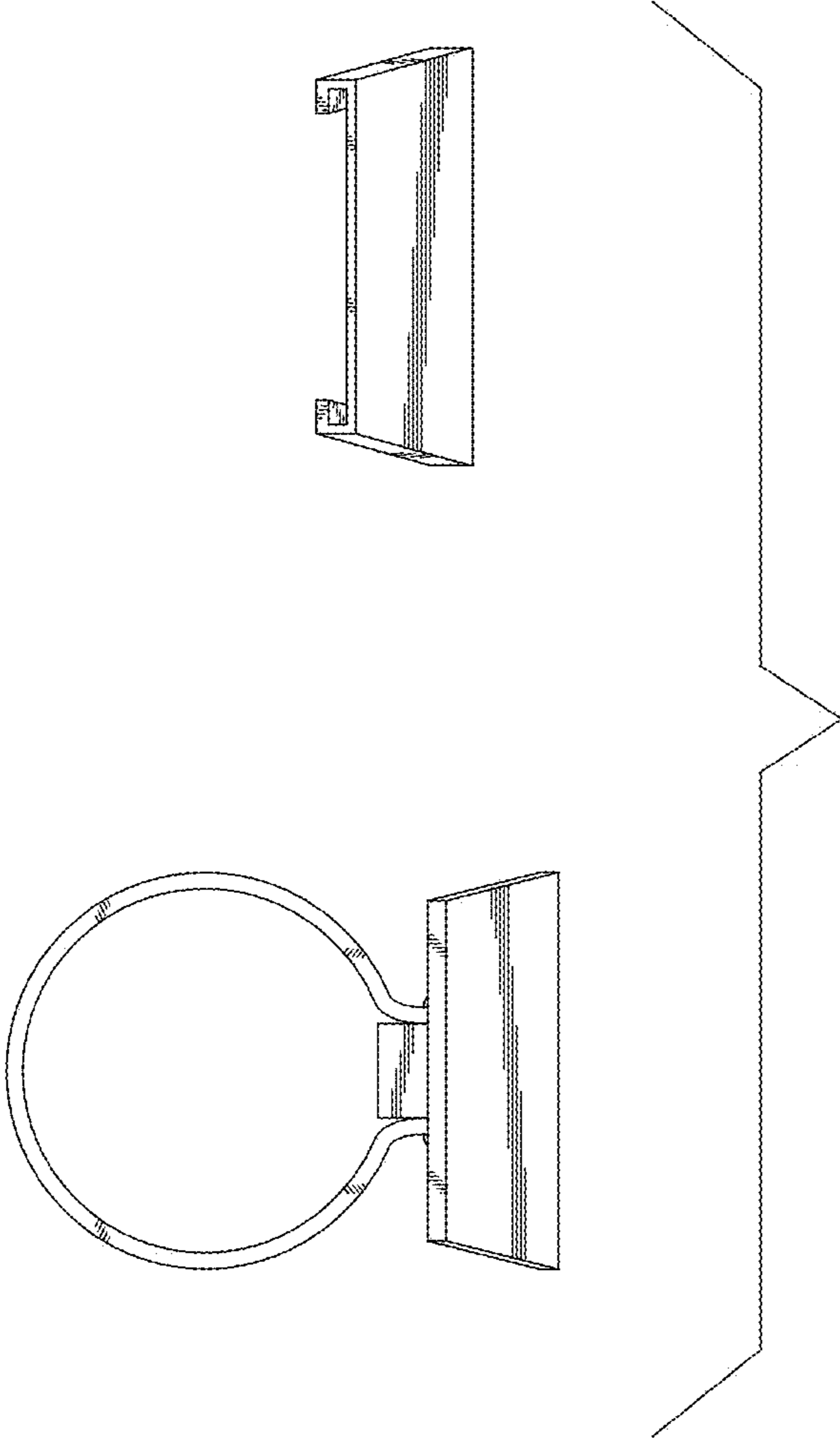


Fig. 9