



US00D708259S

(12) **United States Design Patent**
Fagan

(10) **Patent No.:** **US D708,259 S**
(45) **Date of Patent:** **** Jul. 1, 2014**

- (54) **PANTOGRAPH ARM**
- (71) Applicant: **Matthew Fagan**, Middle Park (AU)
- (72) Inventor: **Matthew Fagan**, Middle Park (AU)
- (**) Term: **14 Years**
- (21) Appl. No.: **29/450,480**
- (22) Filed: **Mar. 18, 2013**

Related U.S. Application Data

- (62) Division of application No. 29/387,992, filed on Mar. 22, 2011.
- (51) **LOC (10) Cl.** **19-06**
- (52) **U.S. Cl.**
USPC **D19/108**
- (58) **Field of Classification Search**
USPC D14/239, 452; D15/28, 138, 140, 141,
D15/199; D19/35, 108; D34/33, 35, 36;
248/276.1, 277.1, 920; D8/363
See application file for complete search history.

(56) **References Cited**

U.S. PATENT DOCUMENTS

| | | | | | | |
|-----------|---|---|---------|------------------|-------|-----------|
| D151,212 | S | * | 10/1948 | Brohawn | | D18/57 |
| 3,013,603 | A | * | 12/1961 | Rosenberg et al. | | 160/342 |
| 3,160,956 | A | * | 12/1964 | Mercorelli | | 33/25.2 |
| 3,750,846 | A | | 8/1973 | Huxley, III | | |
| 3,759,475 | A | | 9/1973 | Brown | | |
| D287,368 | S | | 12/1986 | Shibayama et al. | | |
| 4,872,628 | A | * | 10/1989 | O'Connor | | 248/179.1 |
| 5,332,181 | A | | 7/1994 | Schweizer et al. | | |
| 5,397,323 | A | | 3/1995 | Taylor et al. | | |
| 5,657,584 | A | * | 8/1997 | Hamlin | | 52/81.3 |
| 5,667,186 | A | | 9/1997 | Luber et al. | | |
| 5,979,927 | A | | 11/1999 | Hale | | |
| 6,105,909 | A | | 8/2000 | Wirth et al. | | |
| D435,852 | S | * | 1/2001 | Oddsens, Jr. | | D14/452 |
| D489,599 | S | * | 5/2004 | Lam | | D8/363 |
| D505,858 | S | * | 6/2005 | O'Keene | | D8/355 |

| | | | | | | |
|-----------|----|---|---------|------------------|-------|---------|
| 6,935,883 | B2 | * | 8/2005 | Oddsens, Jr. | | 439/374 |
| D537,323 | S | * | 2/2007 | Saez | | D8/363 |
| 7,198,237 | B2 | | 4/2007 | Cho et al. | | |
| D543,210 | S | * | 5/2007 | Stenhouse et al. | | D14/452 |
| D543,211 | S | | 5/2007 | Petrick et al. | | |
| D553,957 | S | | 10/2007 | Brassard | | |
| D556,205 | S | * | 11/2007 | Wohlford et al. | | D14/452 |

(Continued)

OTHER PUBLICATIONS

Office Action issued in related U.S. Appl. No. 29/450,479 dated May 31, 2013, 8 pages.

(Continued)

Primary Examiner — Elizabeth Albert

(74) *Attorney, Agent, or Firm* — Lathrop & Gage LLP

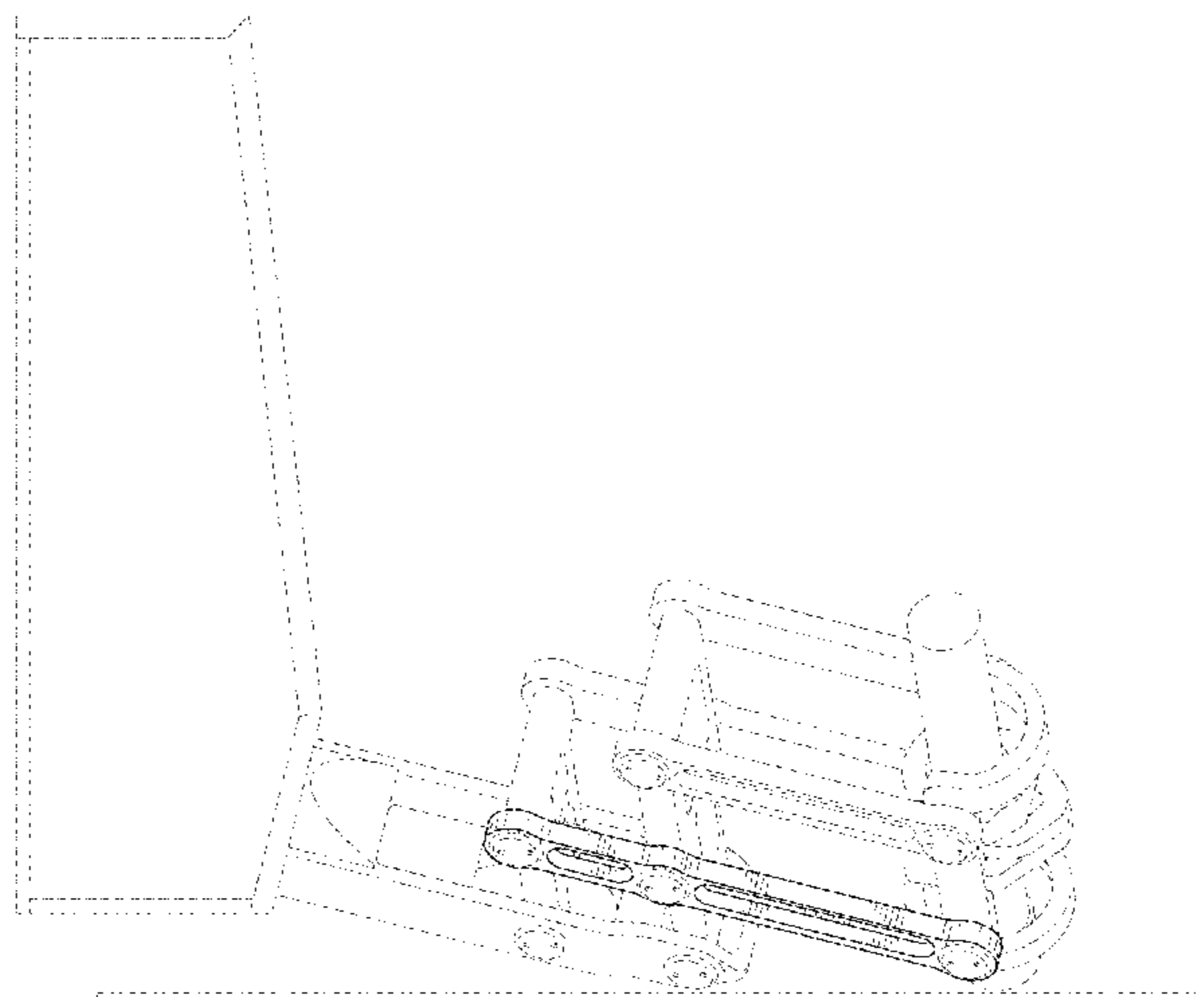
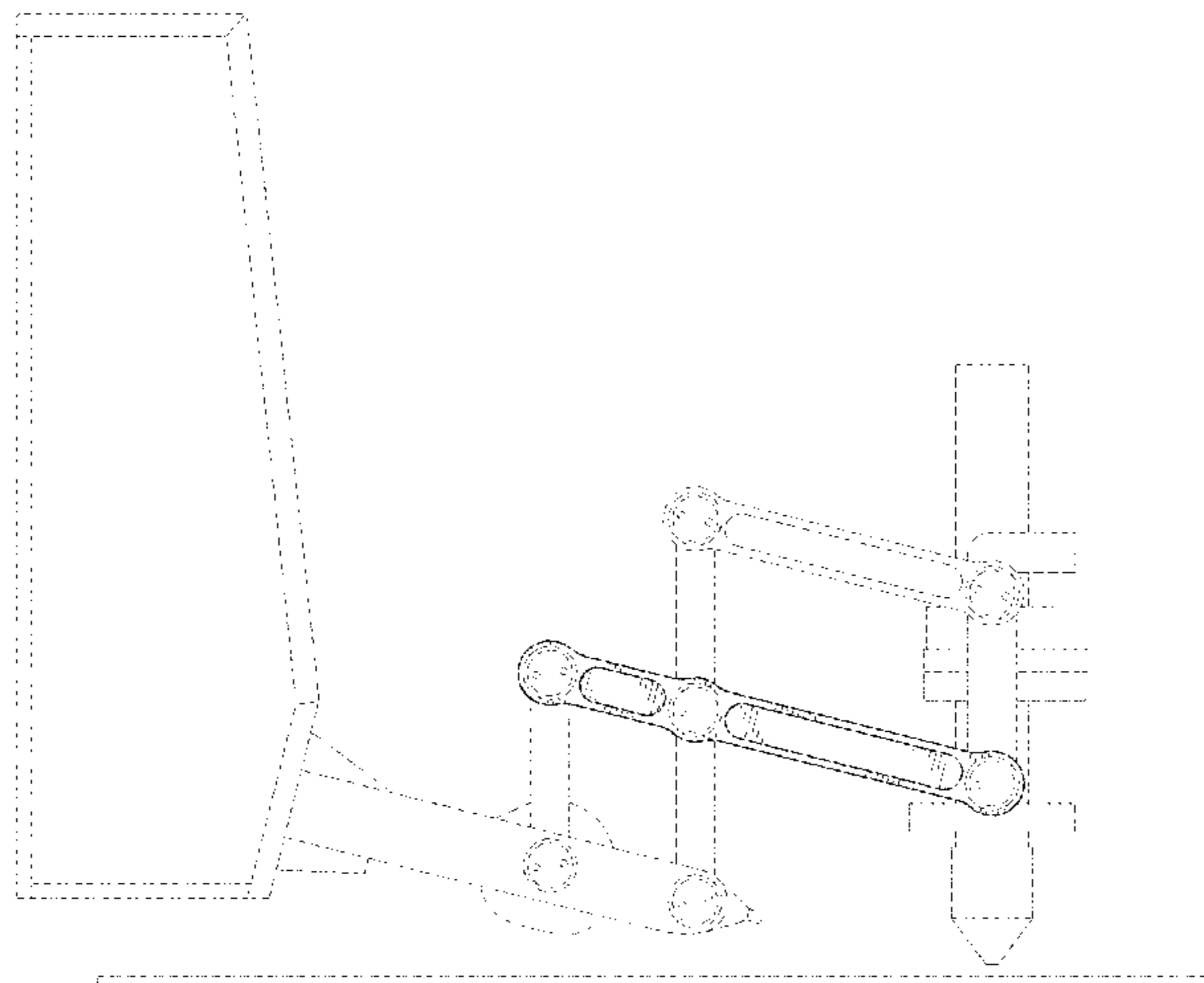
(57) **CLAIM**

The ornamental design for a pantograph arm, as shown and described.

DESCRIPTION

FIG. 1 is a right-side view of a pantograph arm, showing the new design;
 FIG. 2 is an enlarged front view thereof;
 FIG. 3 is an enlarged top view thereof;
 FIG. 4 is an enlarged rear view thereof.
 FIG. 5 is a right-side view showing the pantograph arm in a contracted position;
 FIG. 6 is an enlarged front view thereof;
 FIG. 7 is an enlarged top view thereof.
 FIG. 8 is a right-side view showing the pantograph arm in an extended position;
 FIG. 9 is an enlarged front view thereof; and,
 FIG. 10 is a perspective right side view thereof.
 The broken lines are included in the drawings of FIGS. 1-10 to show portions of the pantograph that form no part of the claimed design.

1 Claim, 10 Drawing Sheets



(56)

References Cited

U.S. PATENT DOCUMENTS

| | | | | |
|-----------|-----|---------|---------------|---------|
| D558,560 | S | 1/2008 | Ciungan | |
| D558,561 | S | 1/2008 | Ciungan | |
| D558,562 | S | 1/2008 | Ciungan | |
| D559,087 | S | 1/2008 | Ciungan | |
| D577,773 | S | 9/2008 | Rutten | |
| D578,145 | S | 10/2008 | Bernhardt | |
| 7,431,254 | B2 | 10/2008 | Cheng | |
| 7,604,206 | B2 | 10/2009 | Jung et al. | |
| 7,789,363 | B2 | 9/2010 | Duan | |
| D634,607 | S * | 3/2011 | Molter et al. | D8/363 |
| D636,765 | S * | 4/2011 | Molter et al. | D14/239 |
| D640,672 | S * | 6/2011 | Molter et al. | D14/239 |
| 8,011,632 | B2 | 9/2011 | Wang et al. | |
| 8,061,663 | B2 | 11/2011 | Wang et al. | |
| D655,297 | S * | 3/2012 | Magnusson | D14/452 |
| D656,493 | S * | 3/2012 | Dolack | D14/239 |
| 8,196,875 | B2 | 6/2012 | Lien et al. | |

| | | | | |
|--------------|------|--------|-------------|-----------|
| 8,201,792 | B2 | 6/2012 | Yuan et al. | |
| D679,016 | S * | 3/2013 | Jarva | D24/158 |
| 2007/0194183 | A1 * | 8/2007 | Kim | 248/125.9 |

OTHER PUBLICATIONS

Response to Office Action issued in related U.S. Appl. No. 29/450,479 dated Sep. 11, 2013, 33 pages.

Restriction Requirement issued in related U.S. Appl. No. 29/387,992 dated Feb. 7, 2013, 5 pages.

Response to Restriction Requirement issued in related U.S. Appl. No. 29/387,992 dated Mar. 7, 2013, 27 pages.

Office Action issued in related U.S. Appl. No. 29/387,992 dated Mar. 18, 2013, 7 pages.

Response to Office Action issued in related U.S. Appl. No. 29/387,992 dated Jul. 18, 2013, 55 pages.

Office Action issued in related U.S. Appl. No. 29/387,992 dated Jul. 25, 2013 15 pages.

* cited by examiner

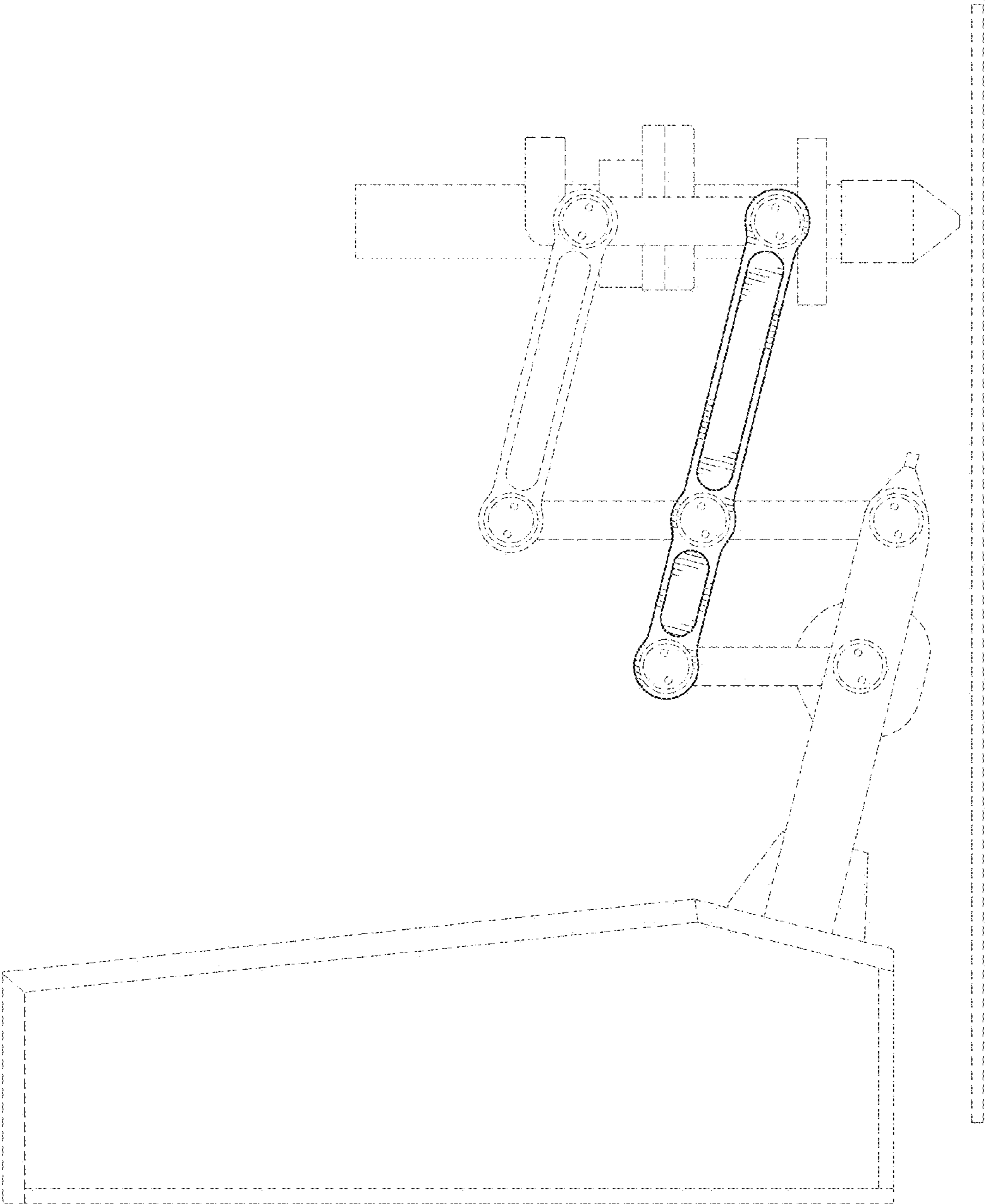


FIG. 1

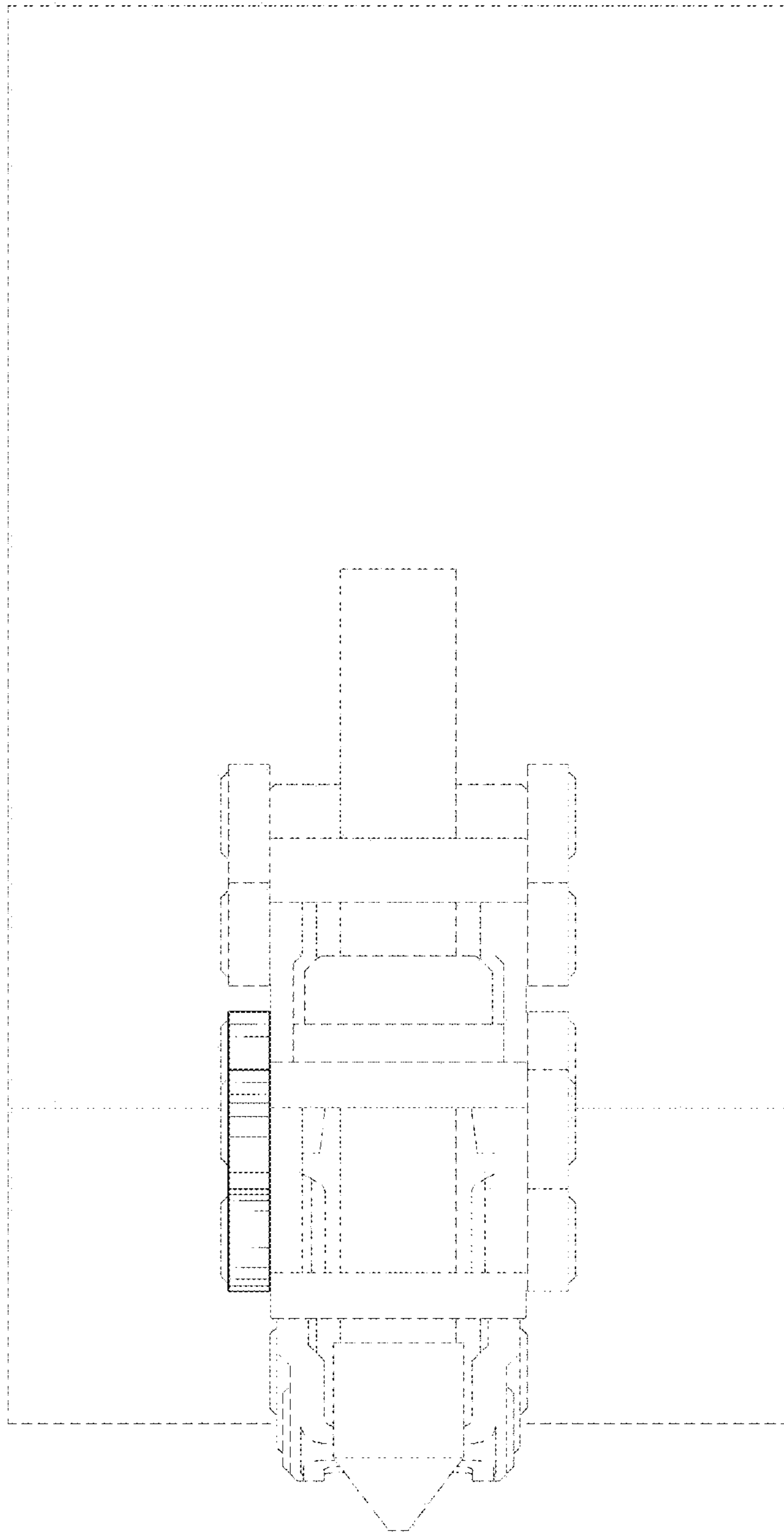


FIG. 2

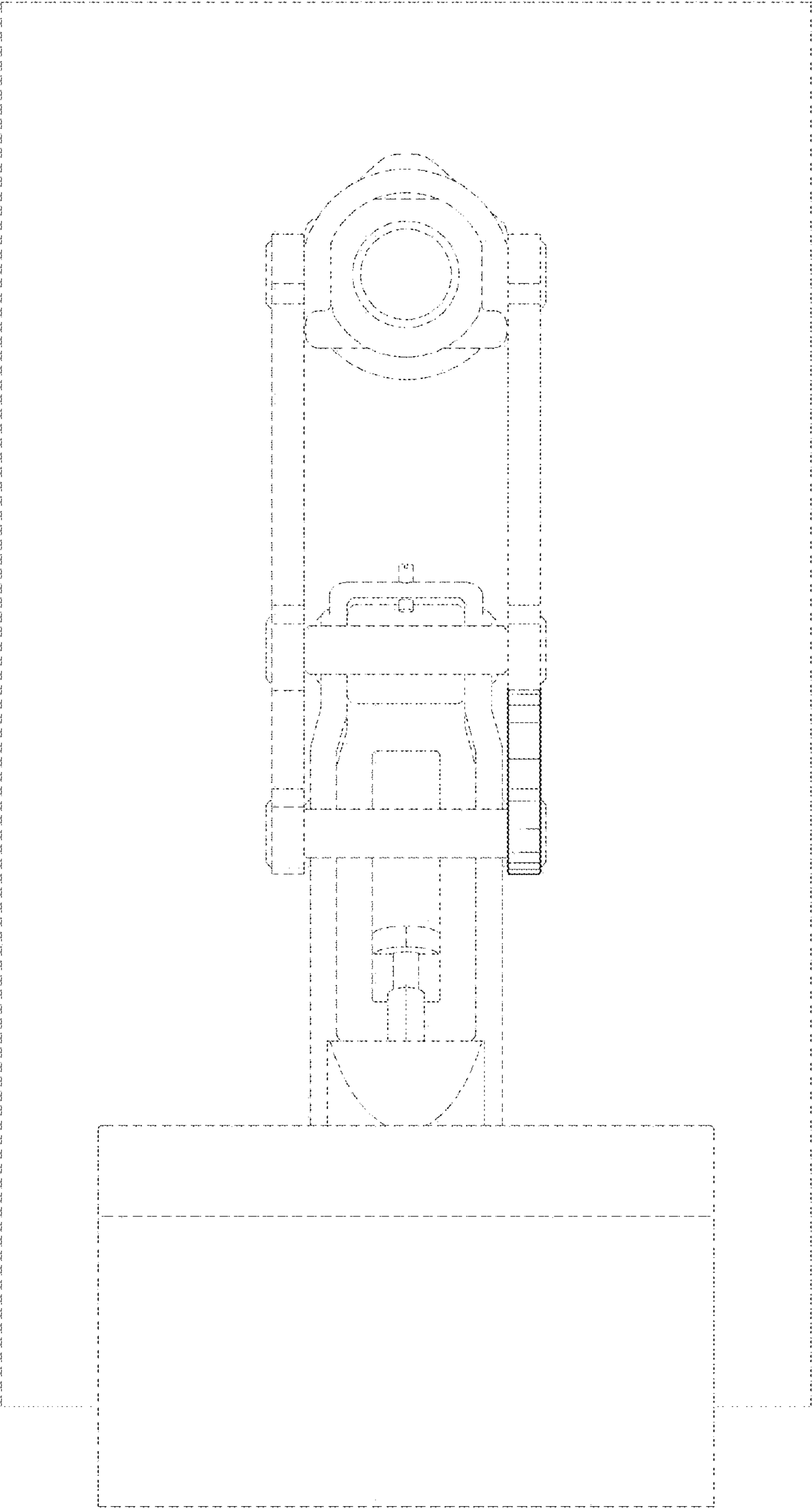


FIG. 3

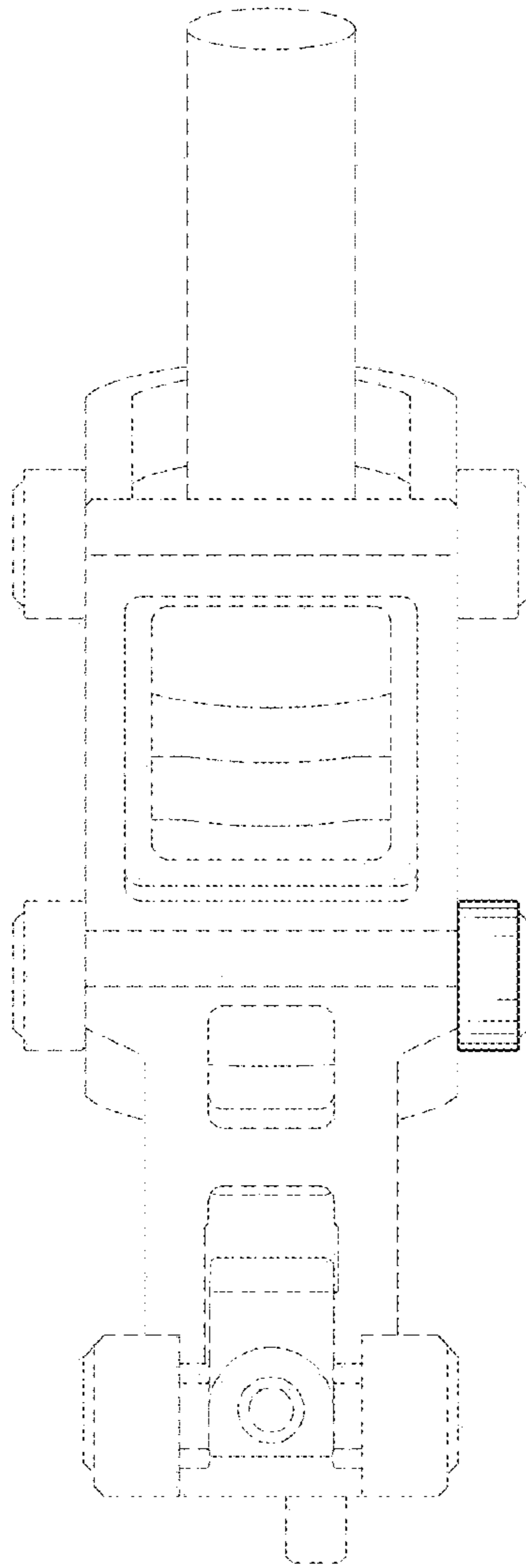


FIG. 4

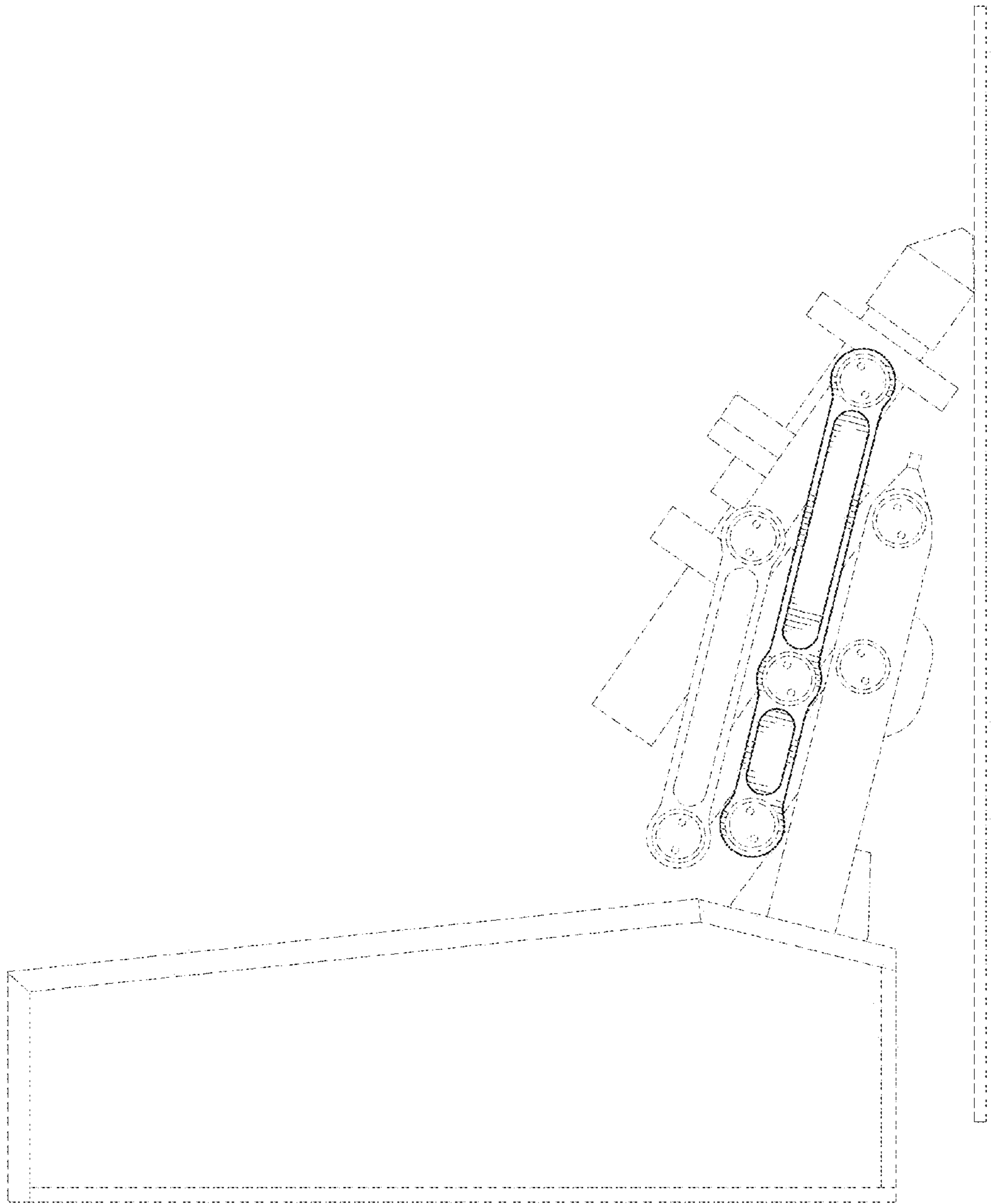


FIG. 5

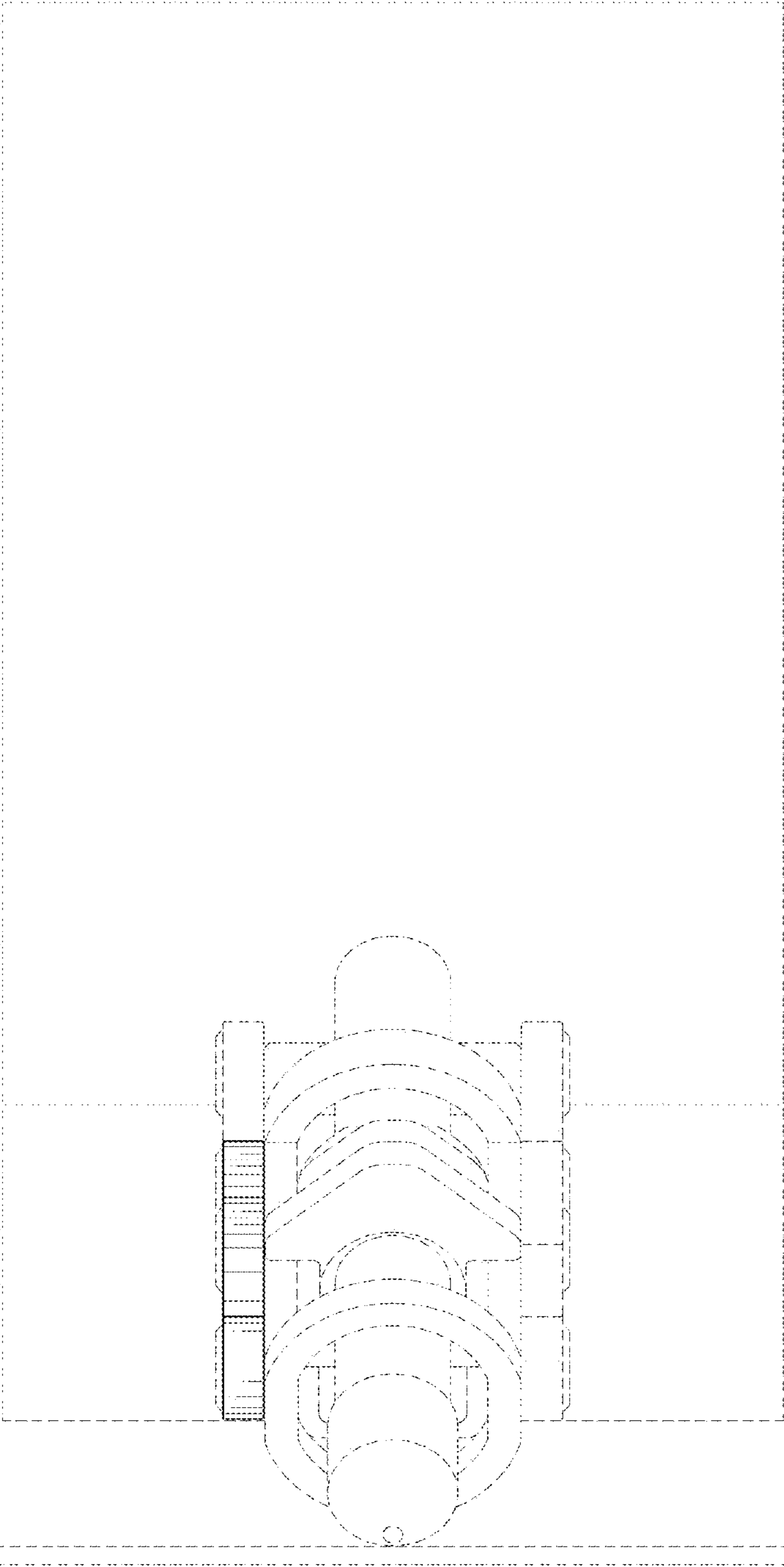


FIG.6

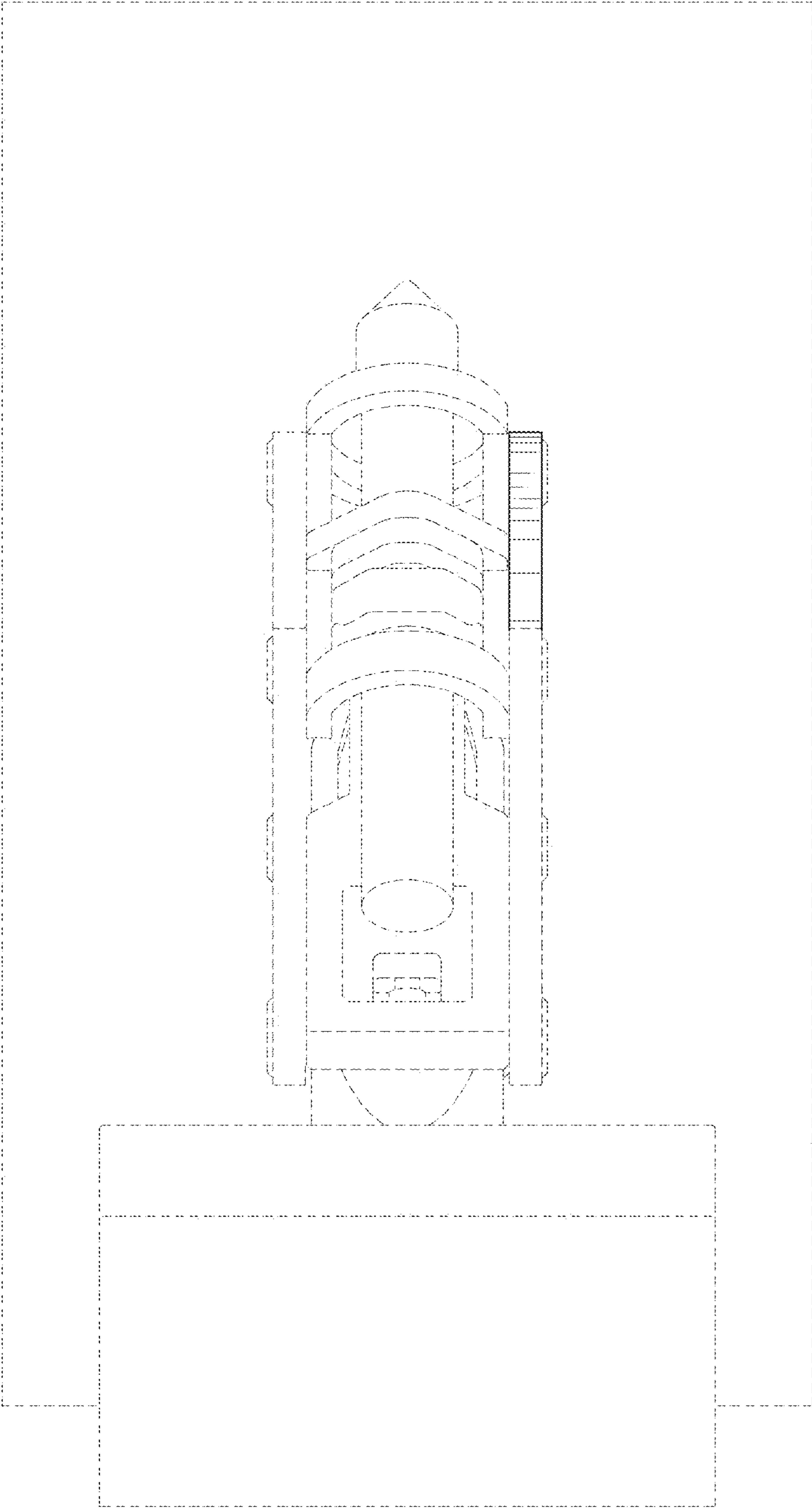
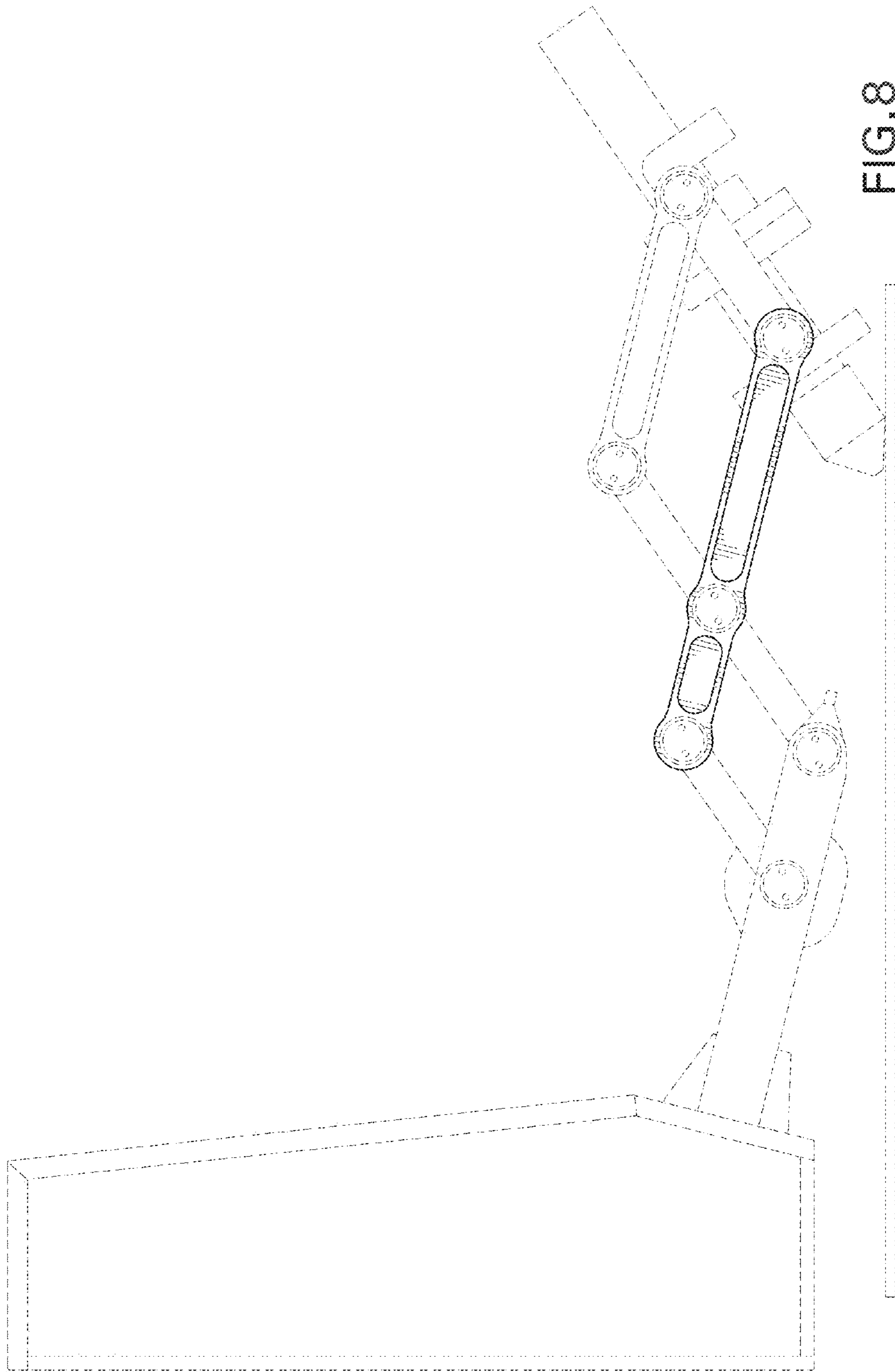


FIG. 7



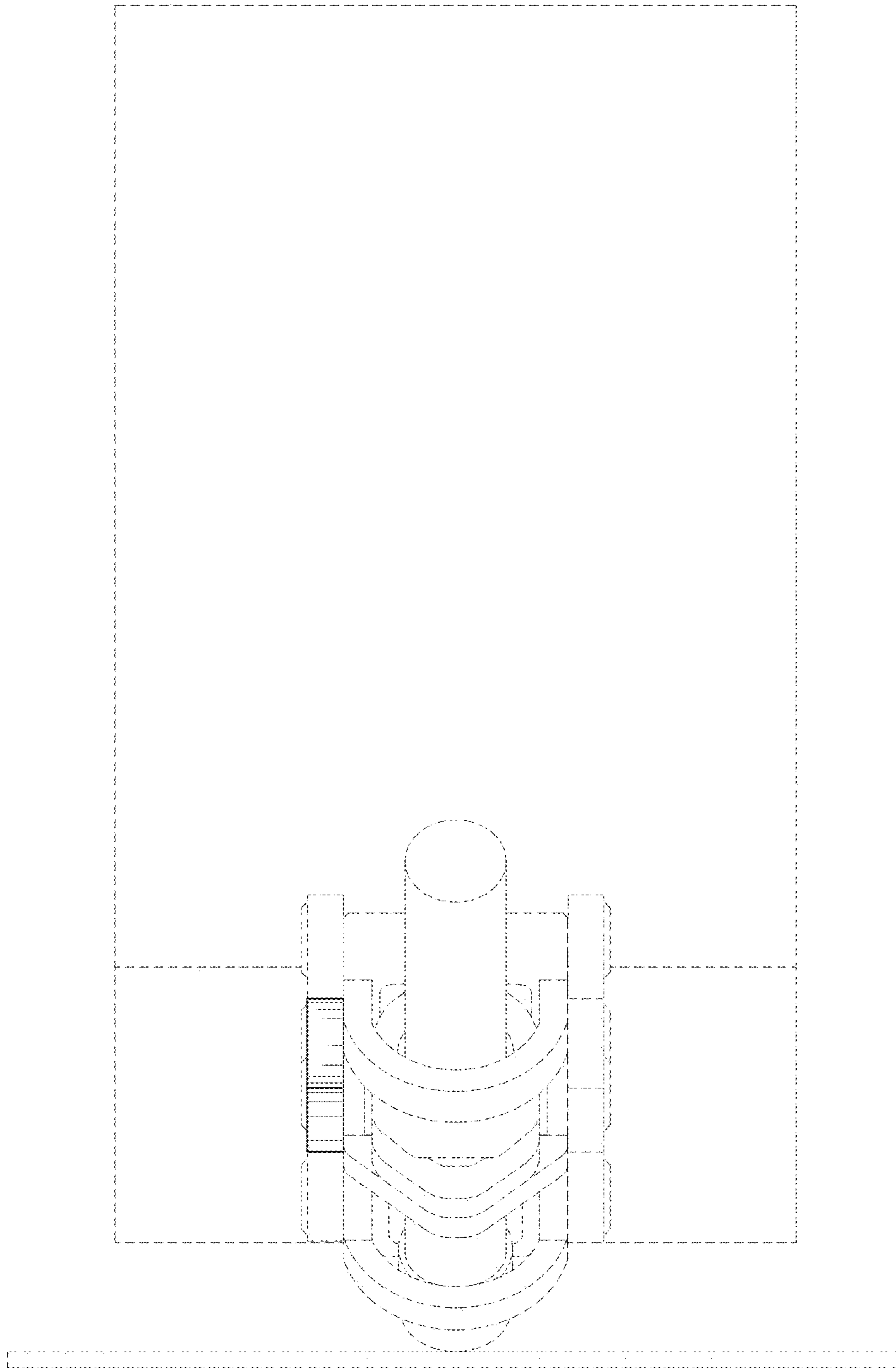


FIG. 9

