



US00D708257S

(12) **United States Design Patent**  
**Camarata**

(10) **Patent No.:** **US D708,257 S**  
(45) **Date of Patent:** **\*\* Jul. 1, 2014**

(54) **TABLE CADDY**

(71) Applicant: **Karla Camarata**, Cape Canaveral, FL  
(US)

(72) Inventor: **Karla Camarata**, Cape Canaveral, FL  
(US)

(\*\*) Term: **14 Years**

(21) Appl. No.: **29/439,982**

(22) Filed: **Dec. 18, 2012**

(51) **LOC (10) Cl.** ..... **19-02**

(52) **U.S. Cl.**  
USPC ..... **D19/77**

(58) **Field of Classification Search**  
CPC B43K 23/001; B43M 99/001; B43M 99/008;  
B43M 99/006  
USPC ..... D3/206, 304, 310, 313, 315, 901, 903;  
D7/590, 601, 637, 640, 641;  
D19/75-80, 85, 90, 92; 206/214;  
211/10, 11, 50, 55, 69.1-69.9; D28/73;  
220/507, 533, 555  
See application file for complete search history.

(56) **References Cited**

**U.S. PATENT DOCUMENTS**

226,645 A \* 4/1880 Albaugh ..... 211/129.1  
D222,636 S \* 11/1971 Nichols ..... D8/358

4,305,511 A \* 12/1981 Denholtz ..... 211/70  
D279,950 S \* 8/1985 Wan ..... D7/640  
4,534,474 A \* 8/1985 Ng ..... 211/70  
D340,071 S \* 10/1993 Sun ..... D19/77  
D418,947 S \* 1/2000 Greiner ..... D28/73  
6,942,109 B2 \* 9/2005 Aros et al. .... 211/58  
D575,986 S \* 9/2008 Cetera ..... D7/501  
D583,870 S \* 12/2008 Allen et al. .... D19/85  
D617,383 S \* 6/2010 Yoon ..... D19/85  
D619,364 S \* 7/2010 Barrick et al. .... D3/315  
7,980,387 B2 \* 7/2011 Allen et al. .... 206/214  
D650,861 S \* 12/2011 Chuang ..... D19/77  
D650,862 S \* 12/2011 Chuang ..... D19/77  
2009/0166245 A1 \* 7/2009 Cetera ..... 206/562

\* cited by examiner

*Primary Examiner* — Elizabeth Albert

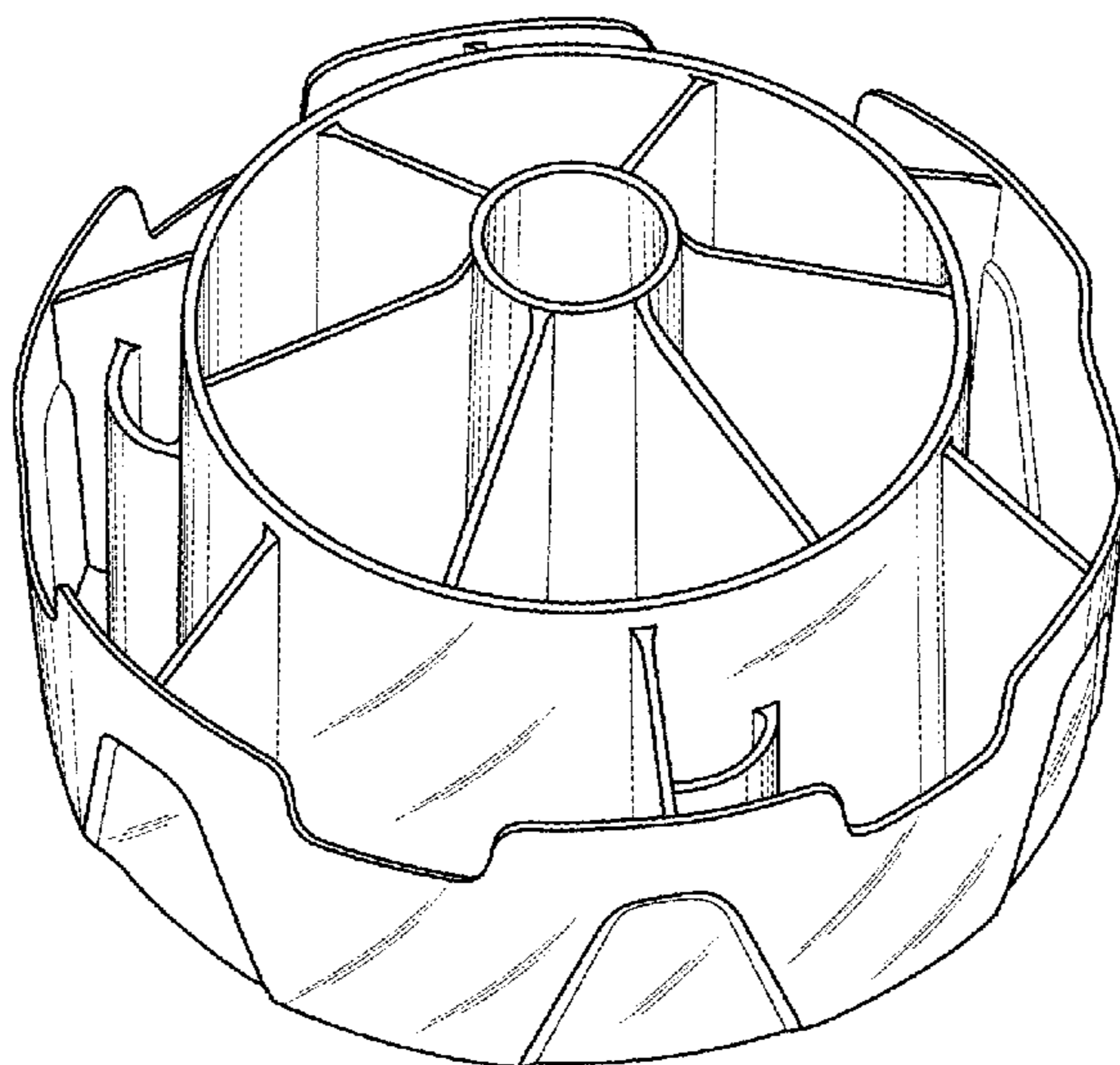
(57) **CLAIM**

The ornamental design for a table caddy, as shown and described.

**DESCRIPTION**

FIG. 1 is a perspective view of a table caddy showing my new design;  
FIG. 2 is a left-side elevational view of FIG. 1;  
FIG. 3 is a right-side elevational view of FIG. 1;  
FIG. 4 is a front elevational view of FIG. 1;  
FIG. 5 is a rear elevational view of FIG. 1;  
FIG. 6 is a top plan view of FIG. 1; and,  
FIG. 7 is a bottom plan view of FIG. 1.

**1 Claim, 4 Drawing Sheets**



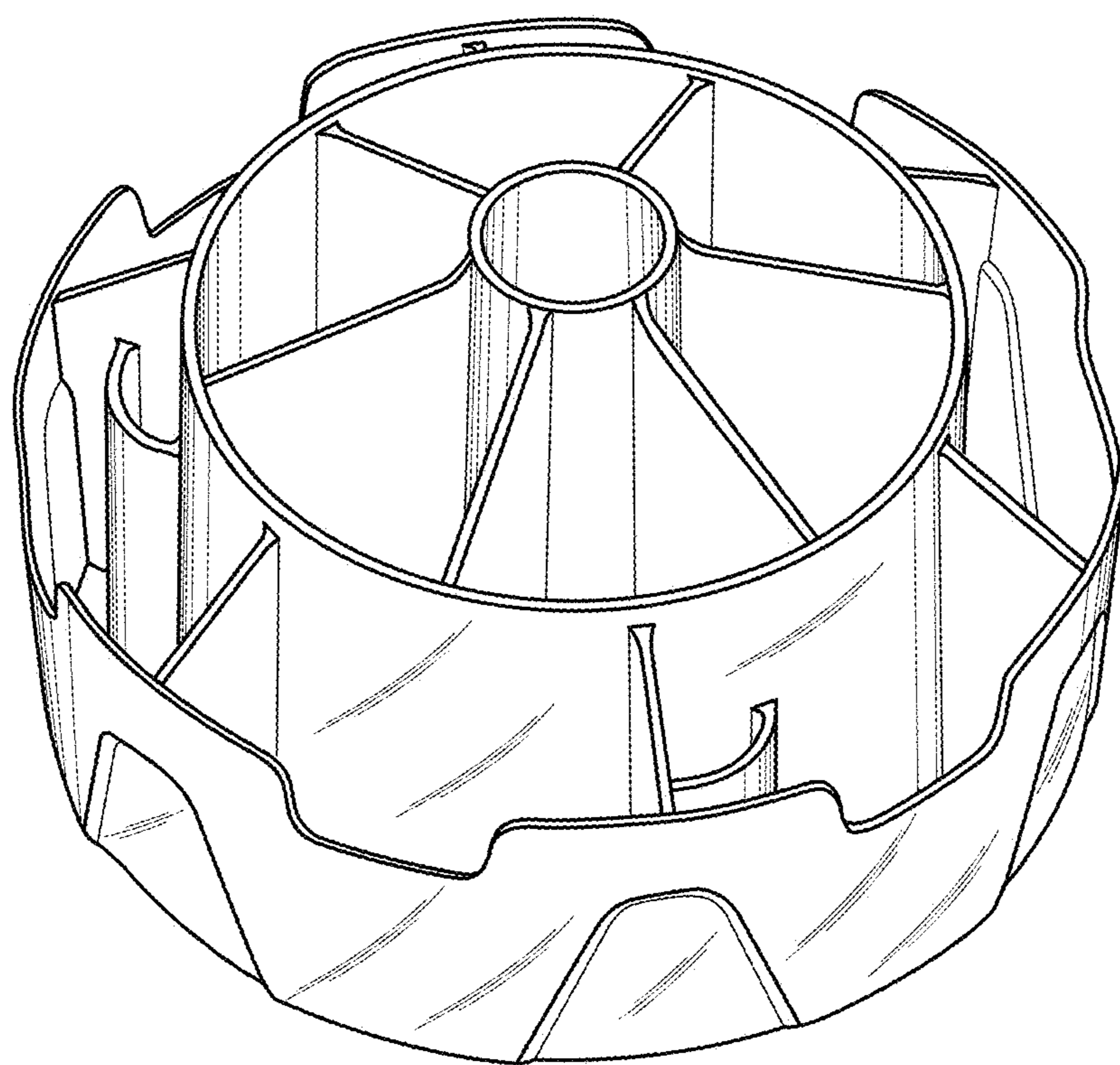


FIG. 1

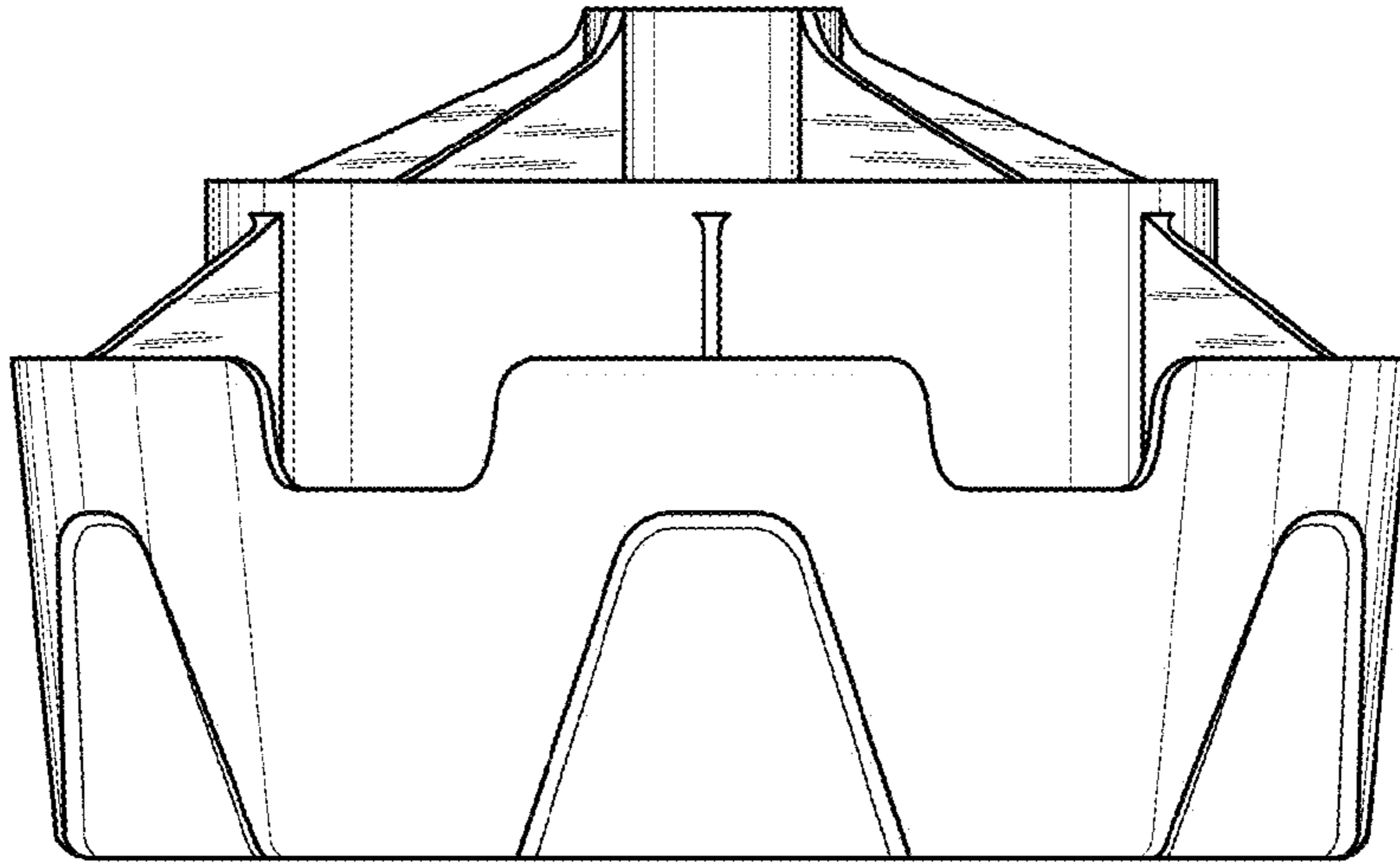


FIG. 2

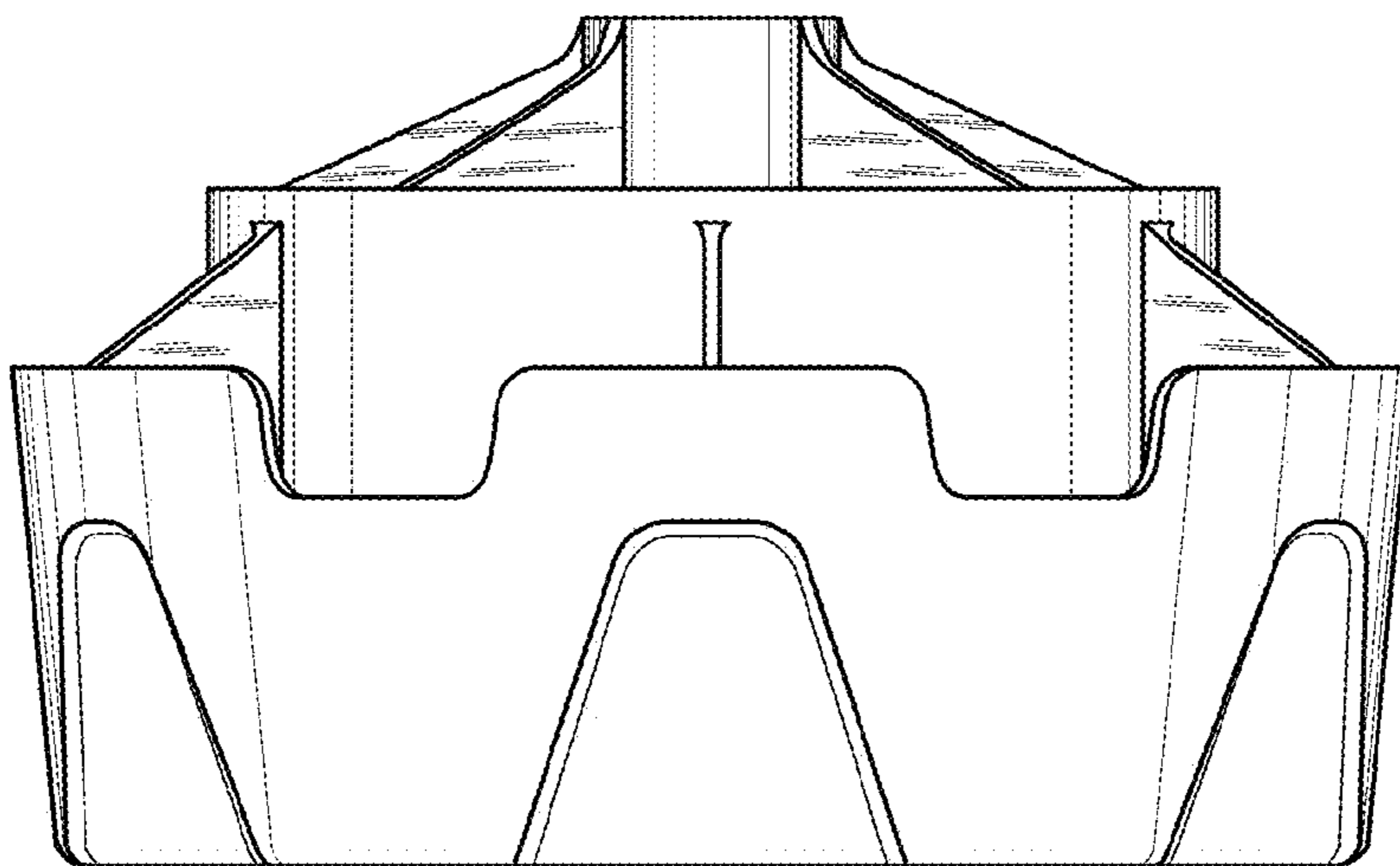


FIG. 3

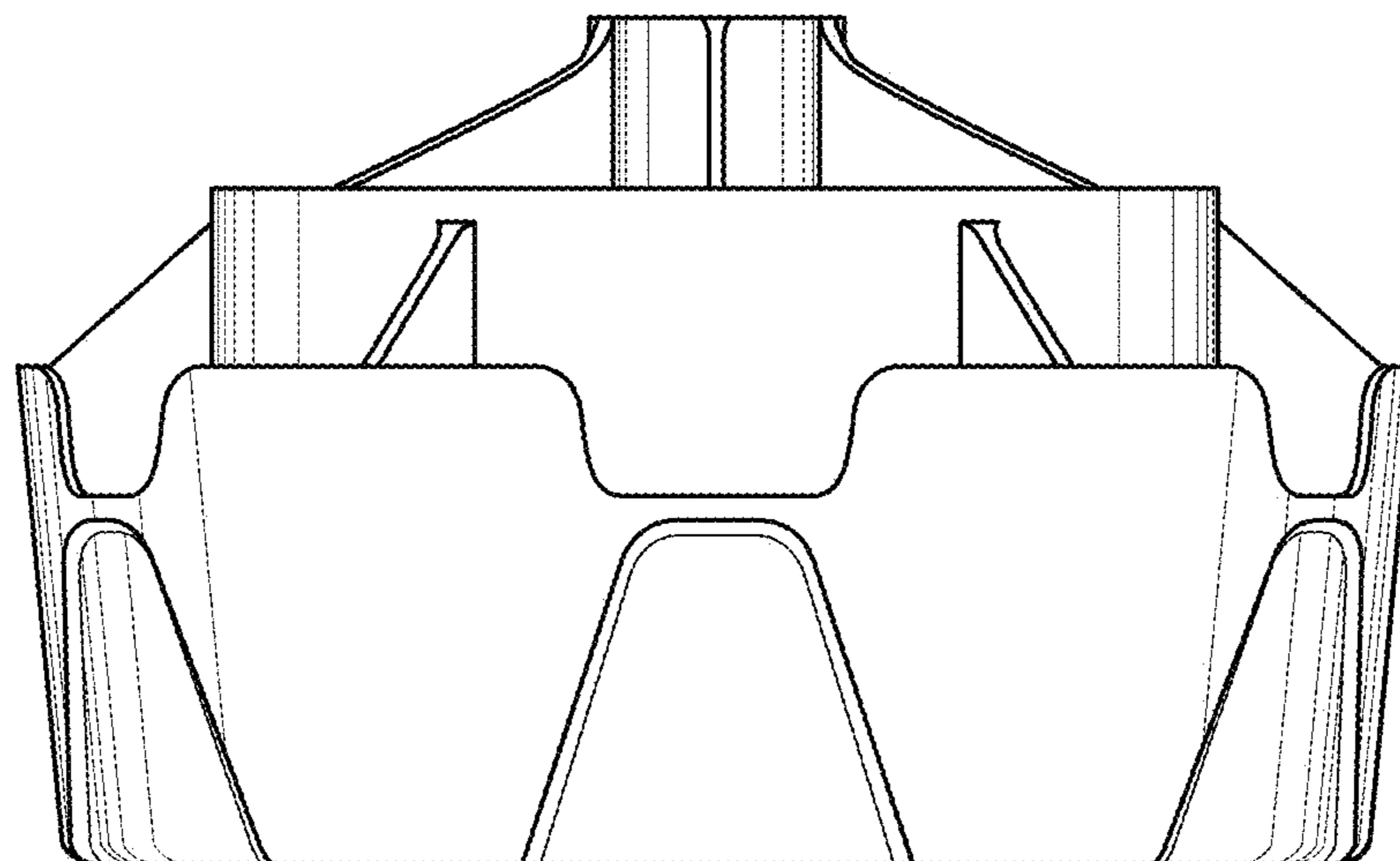


FIG. 4

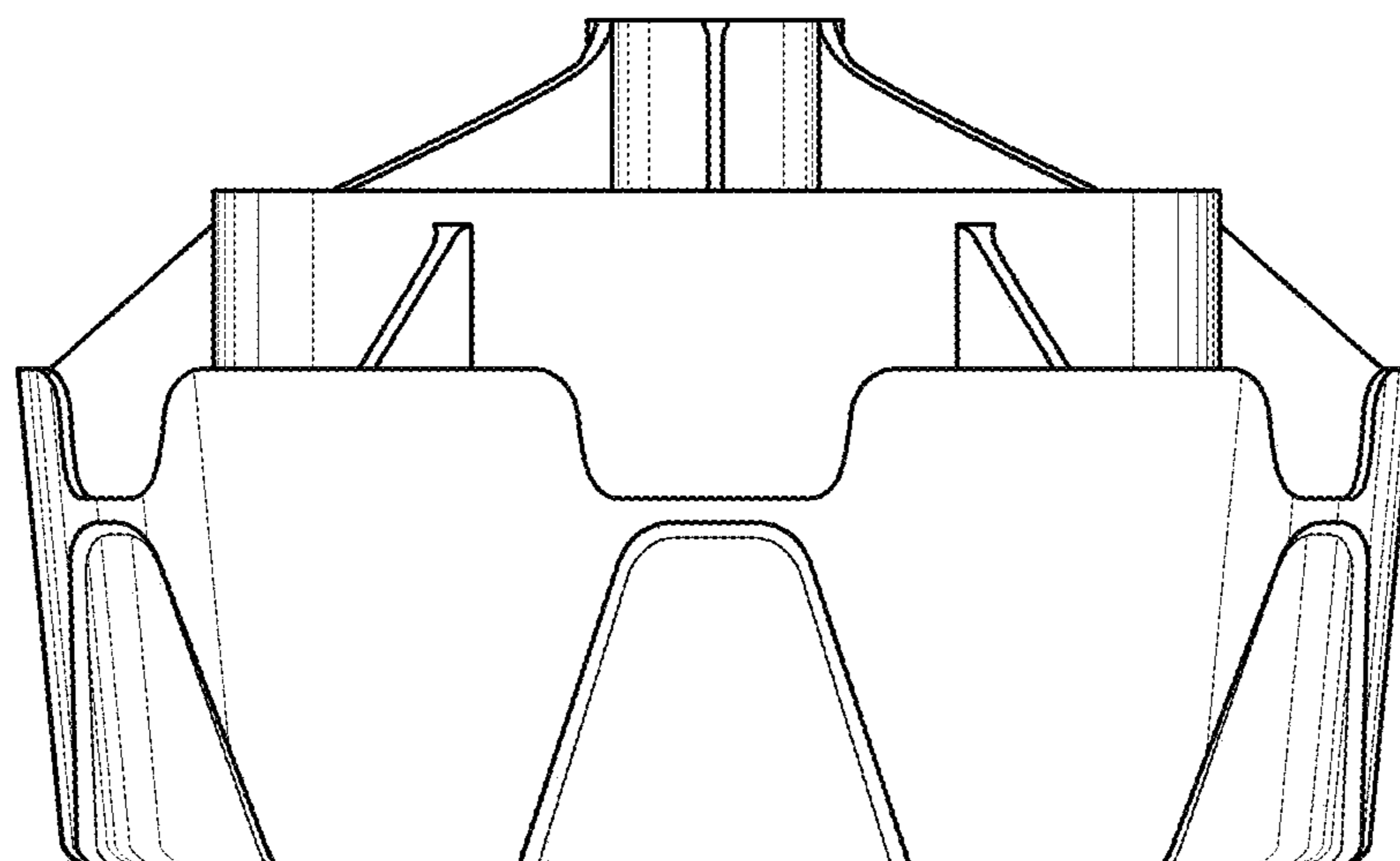


FIG. 5

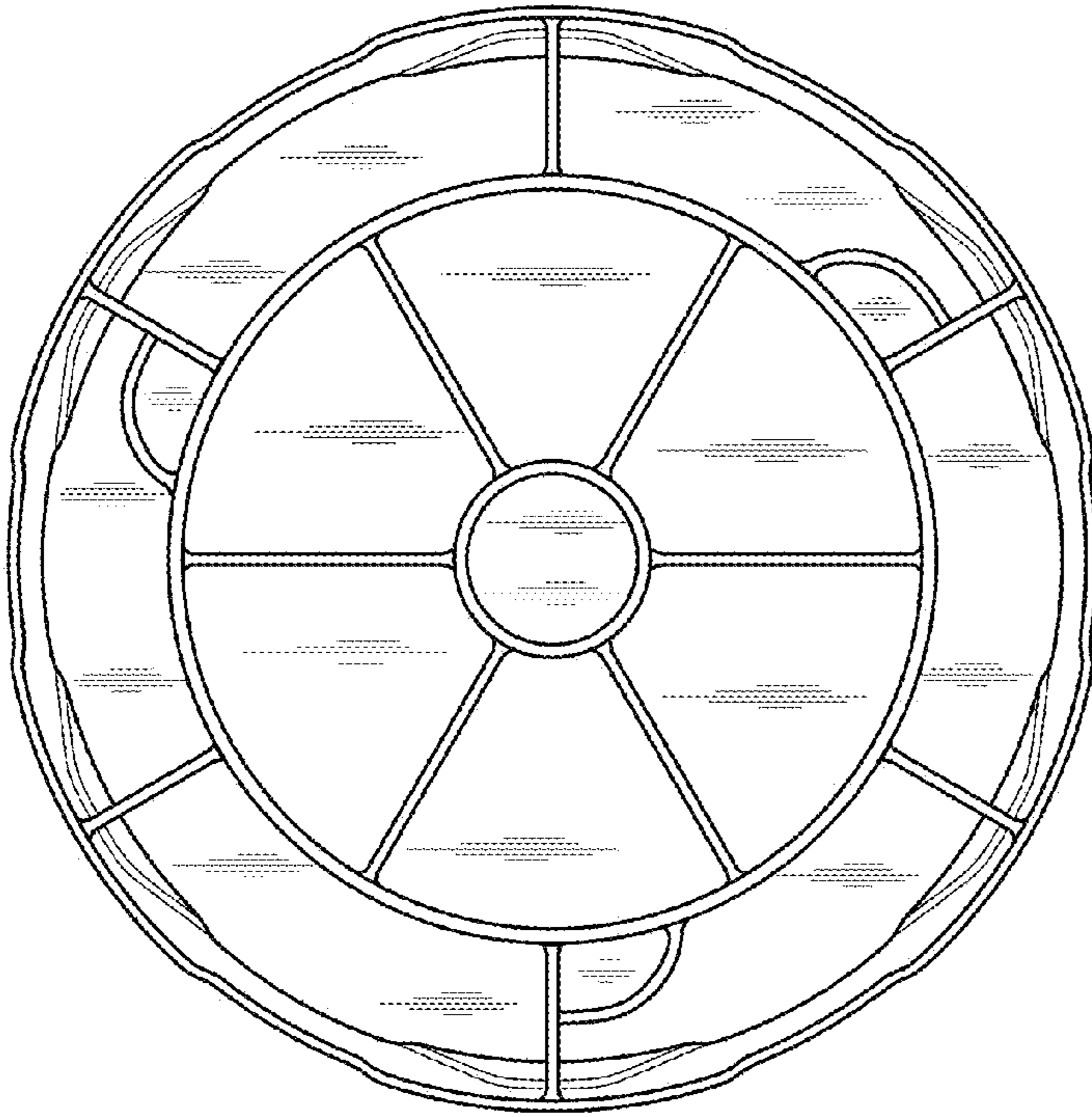


FIG. 6

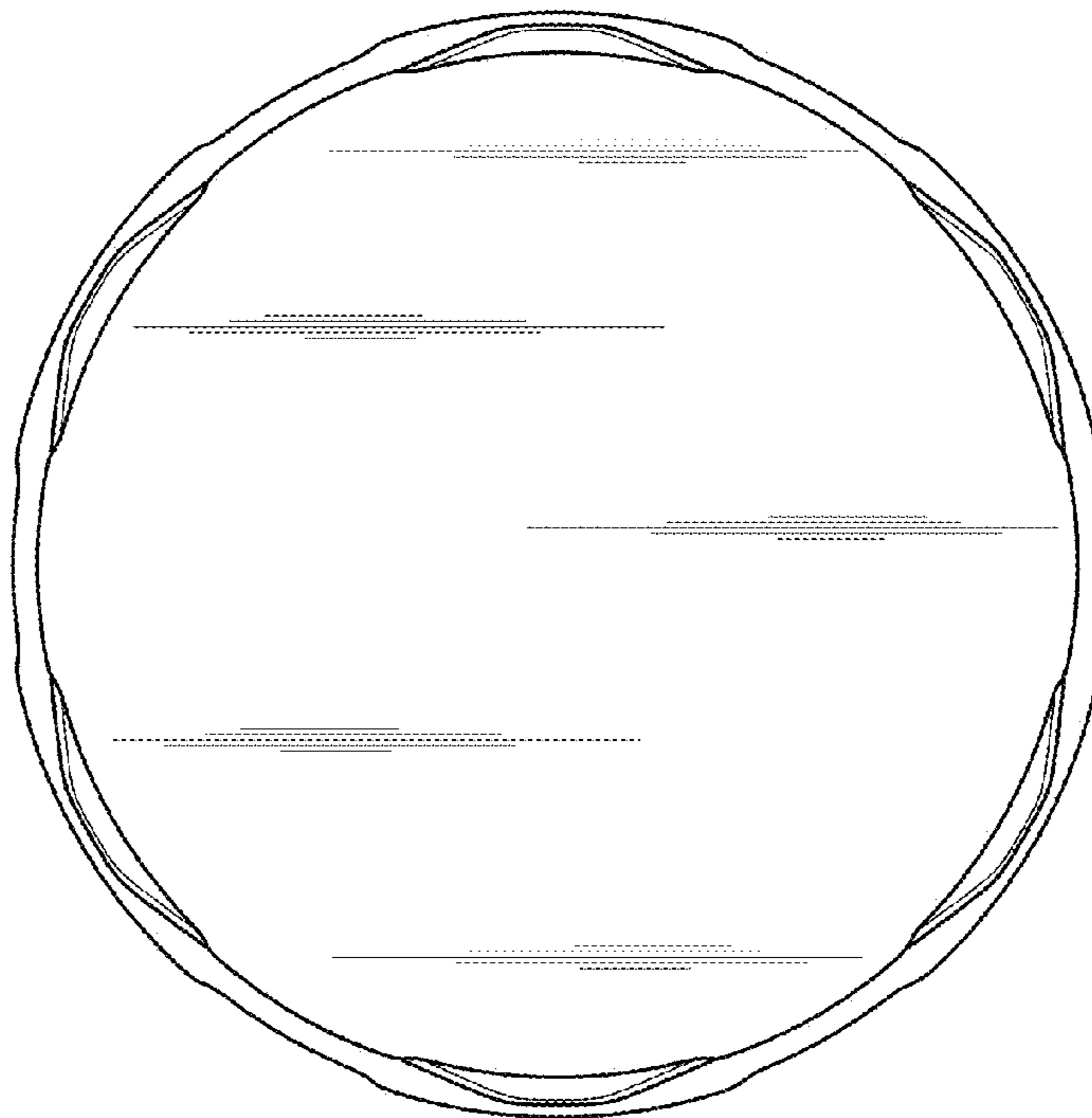


FIG. 7