



US00D708256S

(12) **United States Design Patent**
Arefieg

(10) **Patent No.:** **US D708,256 S**

(45) **Date of Patent:** **** Jul. 1, 2014**

(54) **ADHESIVE BANDAGE DISPENSER IN THE
SHAPE OF A SHOE**

(71) Applicant: **Thuban, Inc.**, Ridgefield, CT (US)

(72) Inventor: **Rana J. Arefieg**, Ridgefield, CT (US)

(73) Assignee: **Thuban, Inc.**, Ridgefield, CT (US)

(**) Term: **14 Years**

(21) Appl. No.: **29/481,145**

(22) Filed: **Feb. 1, 2014**

(51) **LOC (10) Cl.** **08-02**

(52) **U.S. Cl.**
USPC **D19/69**

(58) **Field of Classification Search**
USPC D19/36, 70, 69, 68; D13/133, 146;
242/588.6, 588.3, 588.2; 225/77, 6, 56,
225/69, 26, 25, 19, 11; 206/411; 156/577,
156/527, 523

See application file for complete search history.

(56) **References Cited**

U.S. PATENT DOCUMENTS

D146,929 S *	6/1947	Silver	D2/910
2,598,217 A *	5/1952	Bronson	36/110
D259,521 S *	6/1981	Barr	D2/912
D300,151 S *	3/1989	Lin	D19/67
D300,750 S *	4/1989	Mead	D19/67
D306,612 S *	3/1990	Kahler	D19/67
D326,475 S *	5/1992	Alexander	D19/69
D339,680 S *	9/1993	Hodges, Jr.	D3/271.4
D435,594 S *	12/2000	Polidoro	D19/69
D443,646 S *	6/2001	Bayer et al.	D19/69

D450,179 S *	11/2001	Huard et al.	D2/920
D542,862 S *	5/2007	Slesser	D21/561
D556,996 S *	12/2007	Belley et al.	D2/970
D596,237 S *	7/2009	Yeung	D19/67
D617,380 S *	6/2010	Chiu	D19/69
D636,439 S *	4/2011	Livingstone et al.	D19/69

* cited by examiner

Primary Examiner — Austin Murphy

(74) *Attorney, Agent, or Firm* — David M. Quinlan, P.C.

(57) **CLAIM**

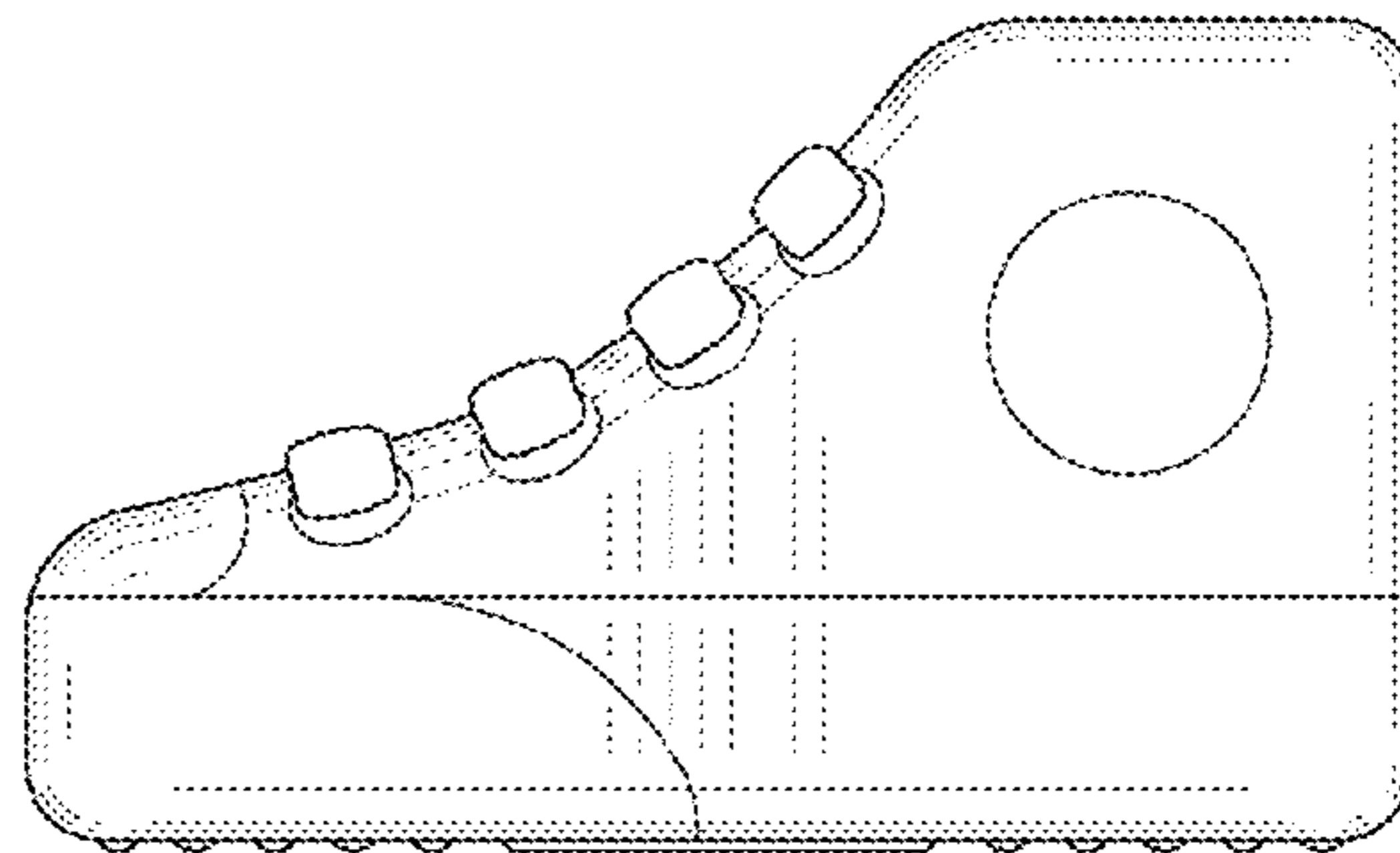
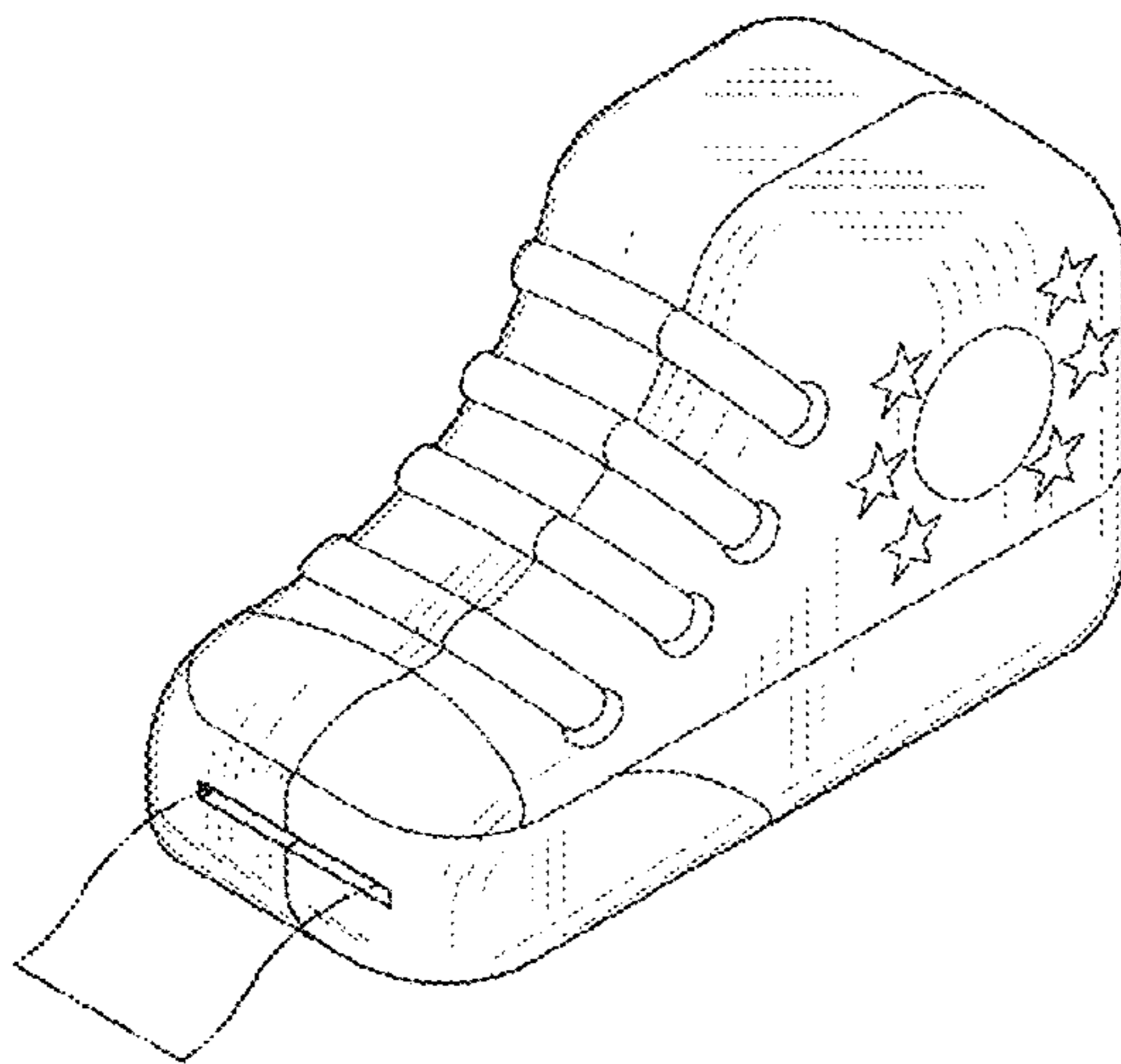
The ornamental design for an adhesive bandage dispenser in the shape of a shoe, as shown and described.

DESCRIPTION

FIG. 1 is an isometric view of an adhesive bandage dispenser showing a first embodiment of my new design;
 FIG. 2 is a right side view thereof;
 FIG. 3 is a left side view thereof;
 FIG. 4 is a bottom view thereof;
 FIG. 5 is a top view thereof;
 FIG. 6 is a rear view thereof;
 FIG. 7 is a front view thereof;
 FIG. 8 is an isometric view of an adhesive bandage dispenser showing a second embodiment of my new design;
 FIG. 9 is a right side view thereof;
 FIG. 10 is a left side view thereof;
 FIG. 11 is a bottom view thereof;
 FIG. 12 is a top view thereof;
 FIG. 13 is a rear view thereof; and,
 FIG. 14 is a front view thereof.

The broken lines depict an adhesive bandage being dispensed from the article and form no part of the design.

1 Claim, 8 Drawing Sheets



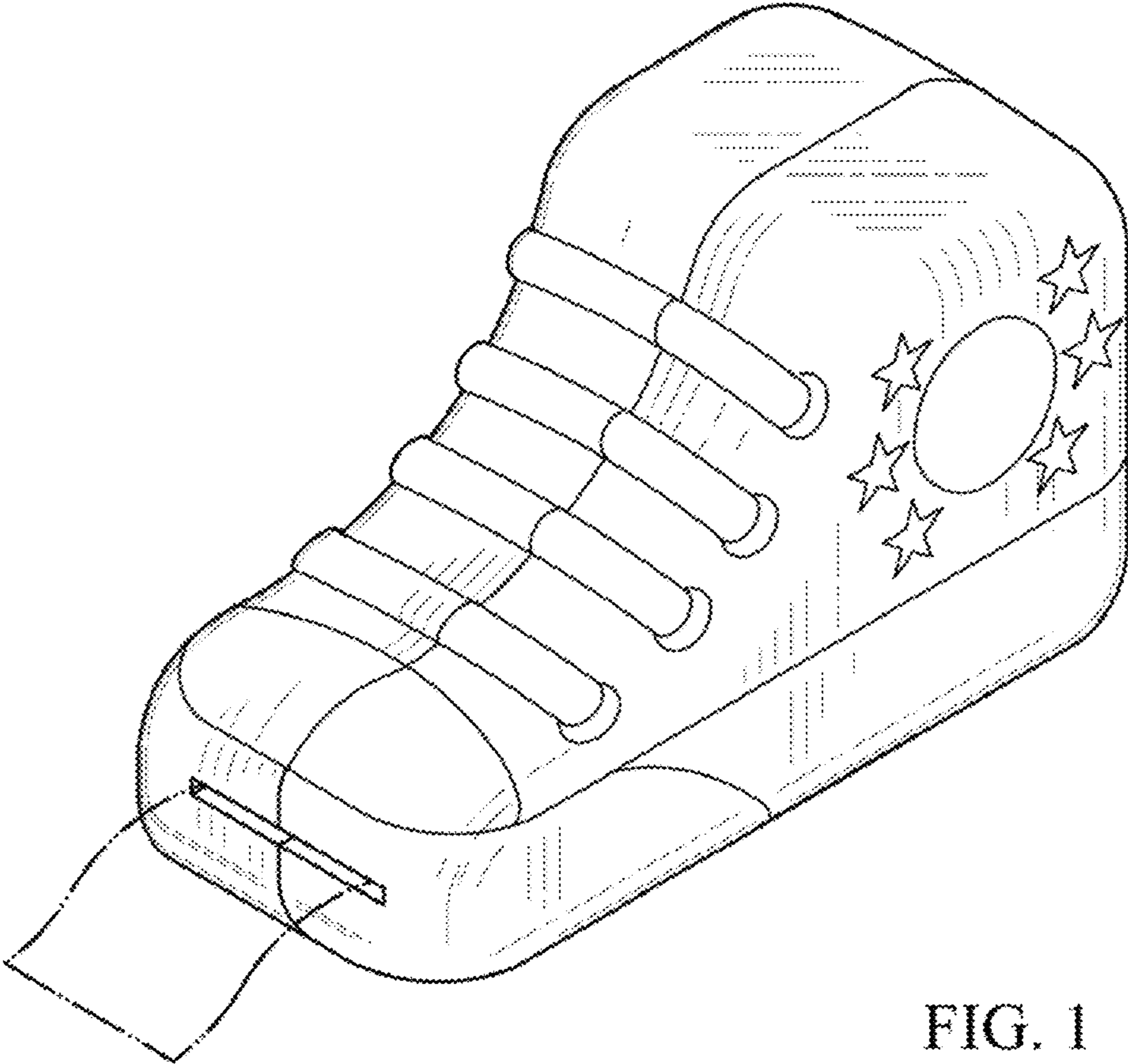


FIG. 1

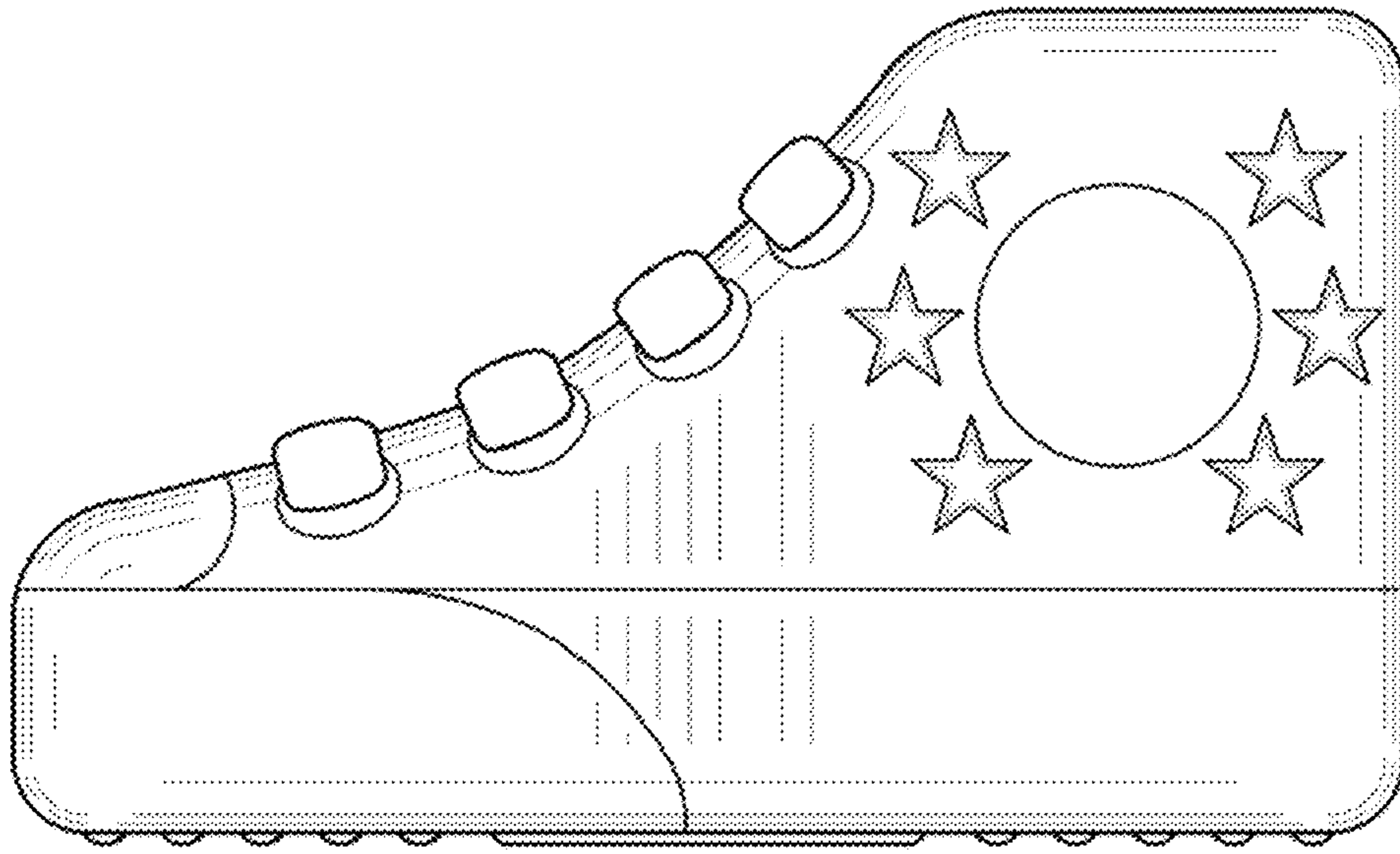


FIG. 2

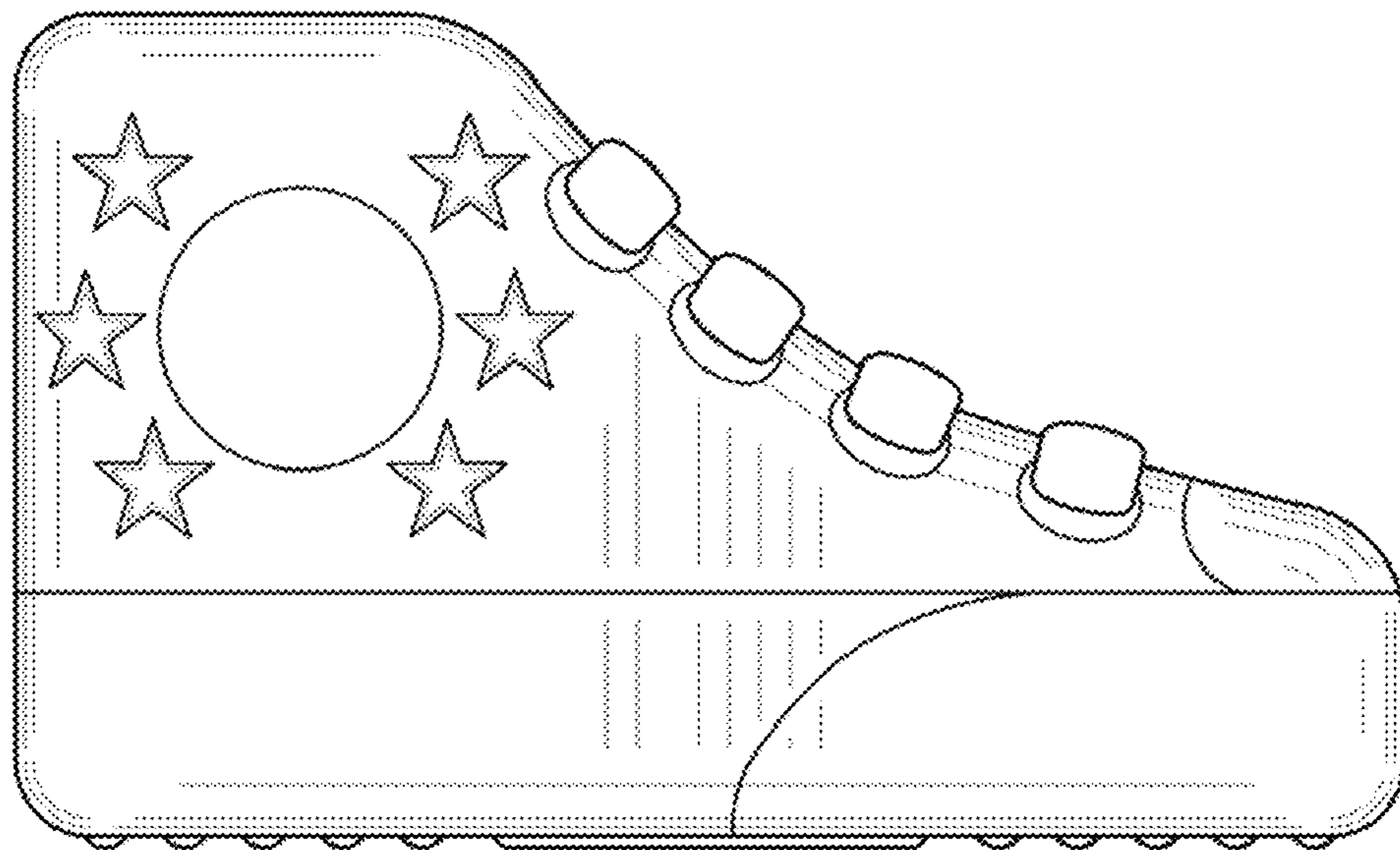


FIG. 3

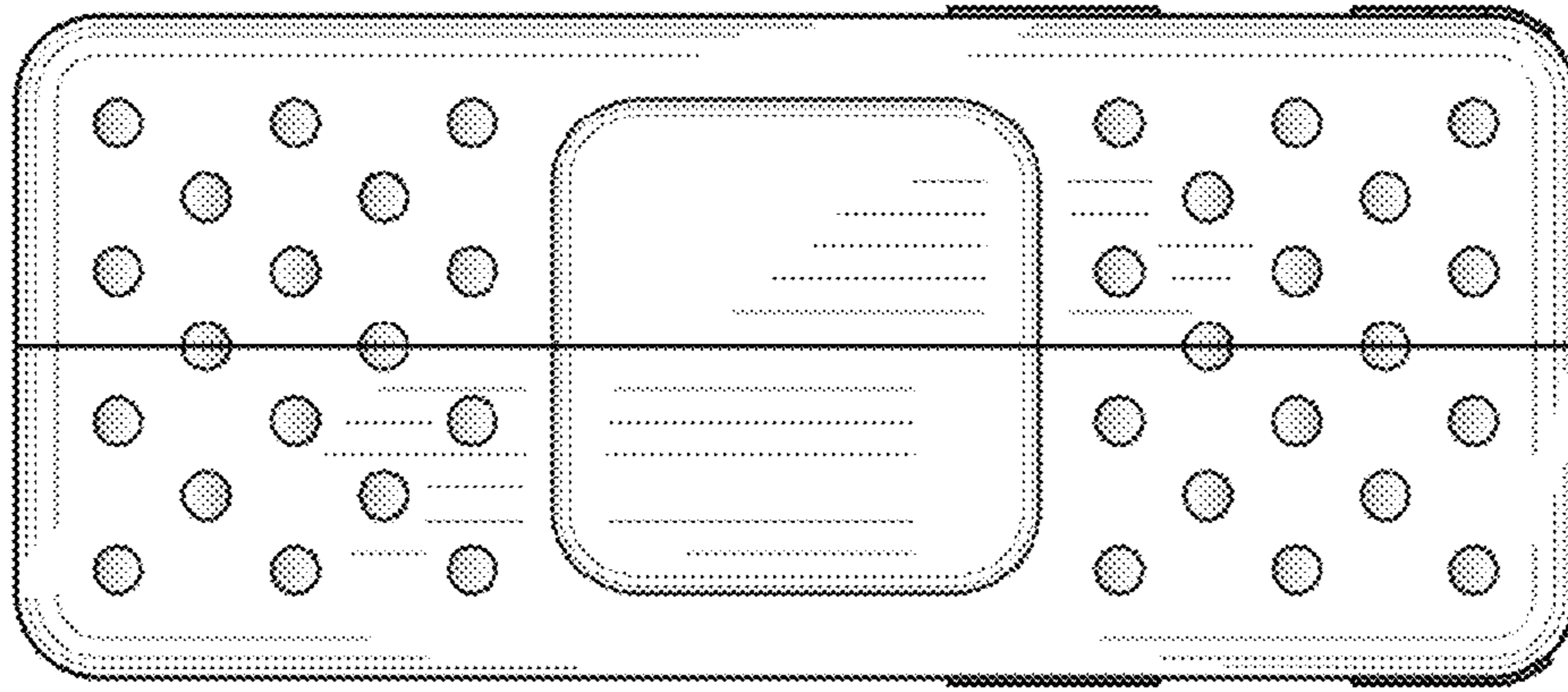


FIG. 4

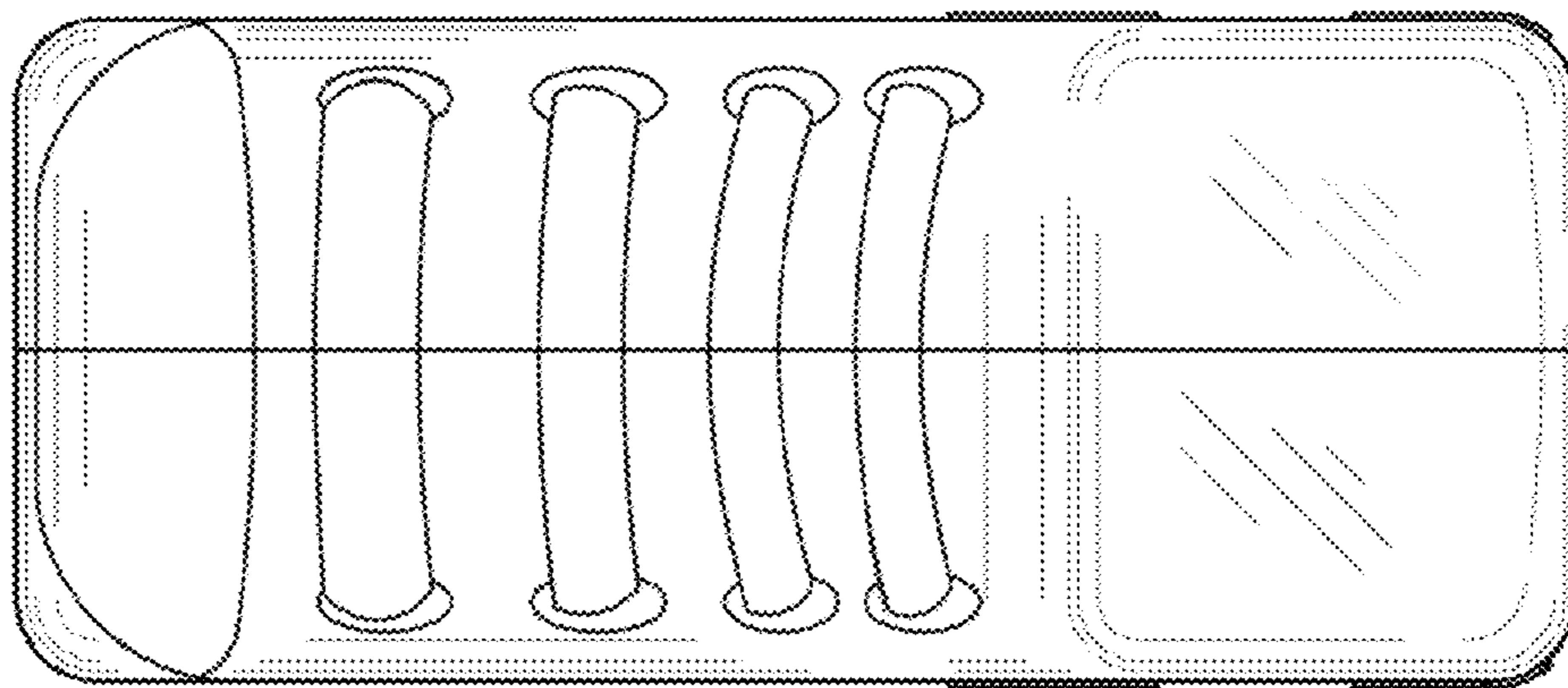


FIG. 5

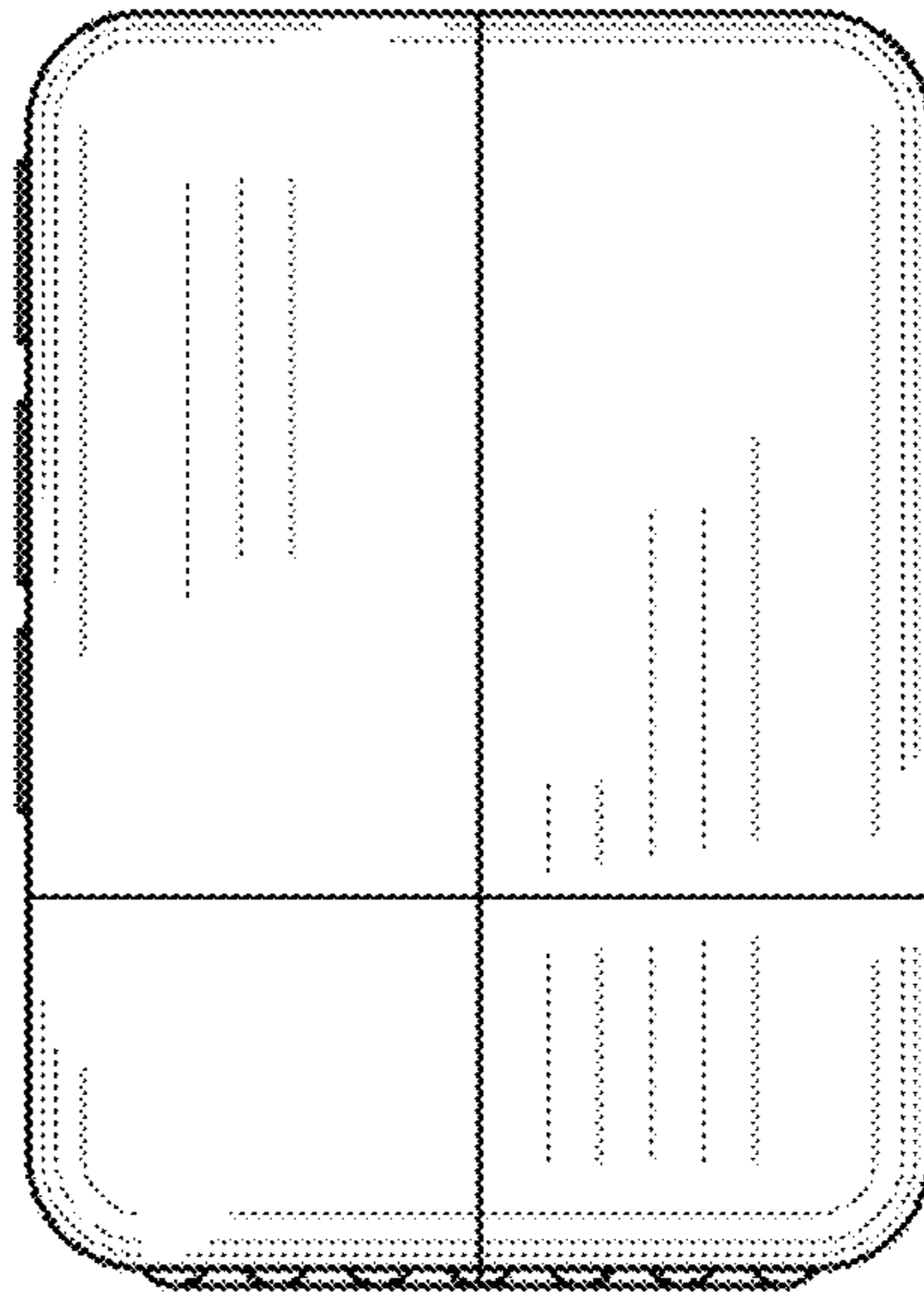


FIG. 6

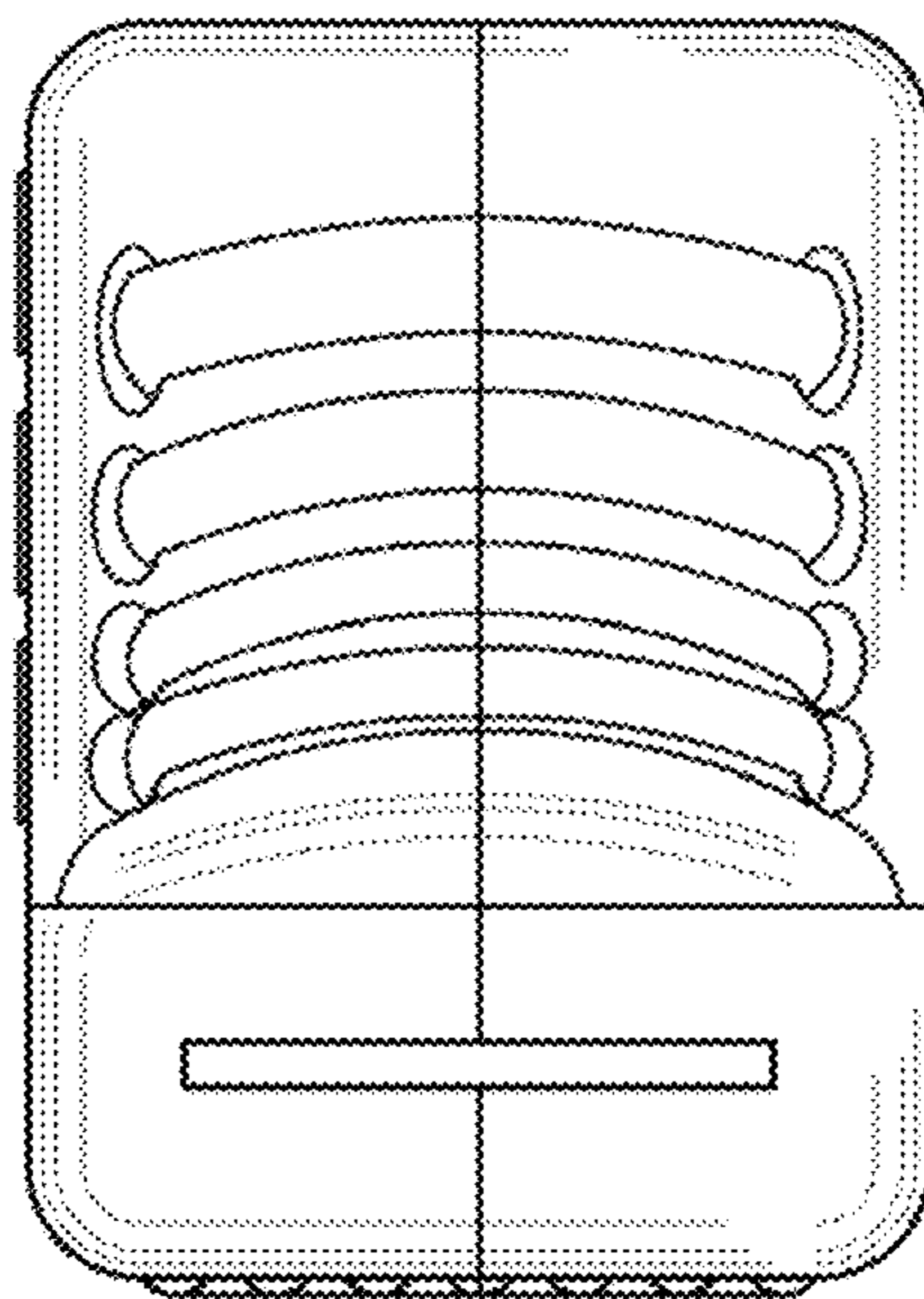


FIG. 7

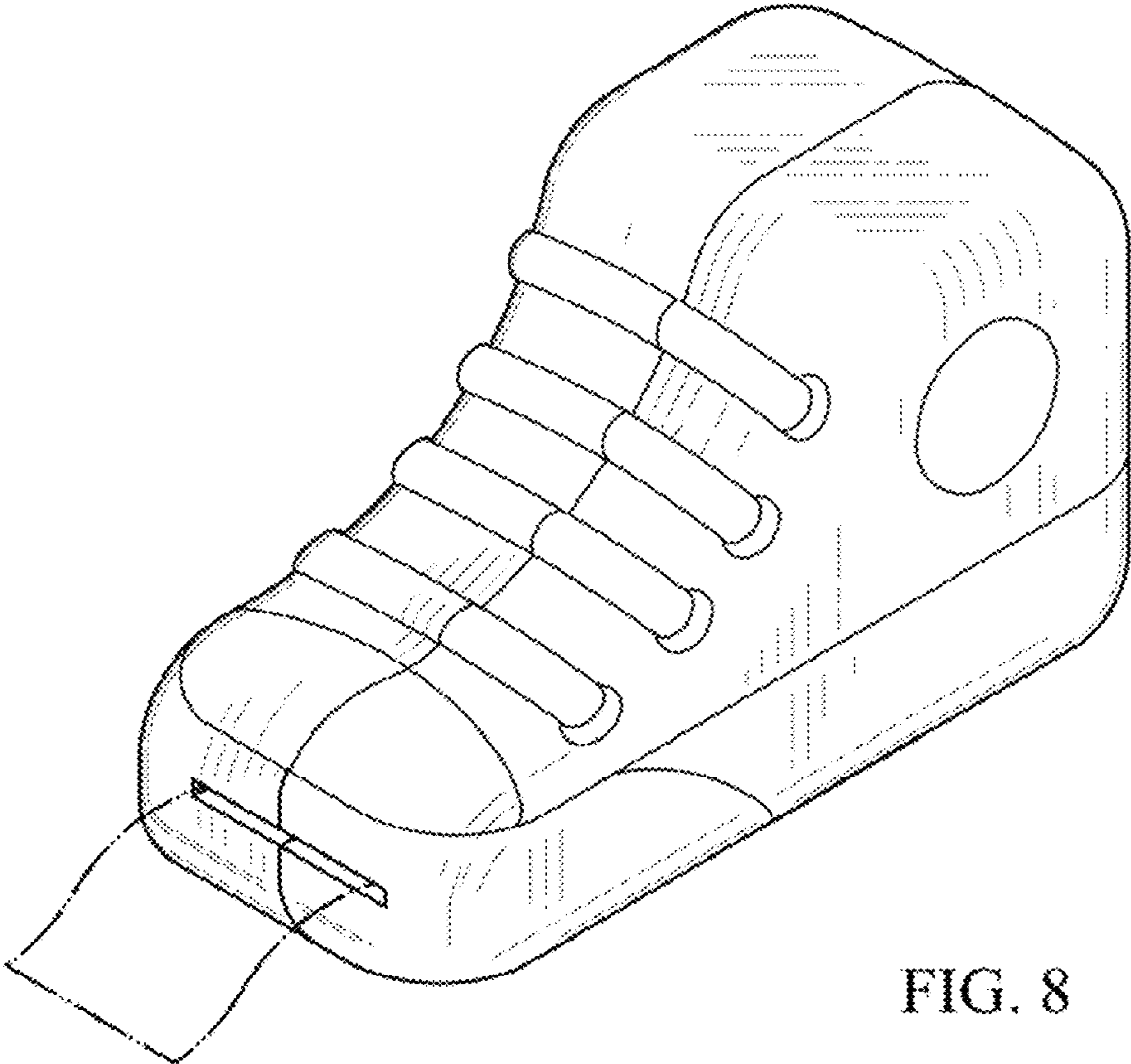


FIG. 8

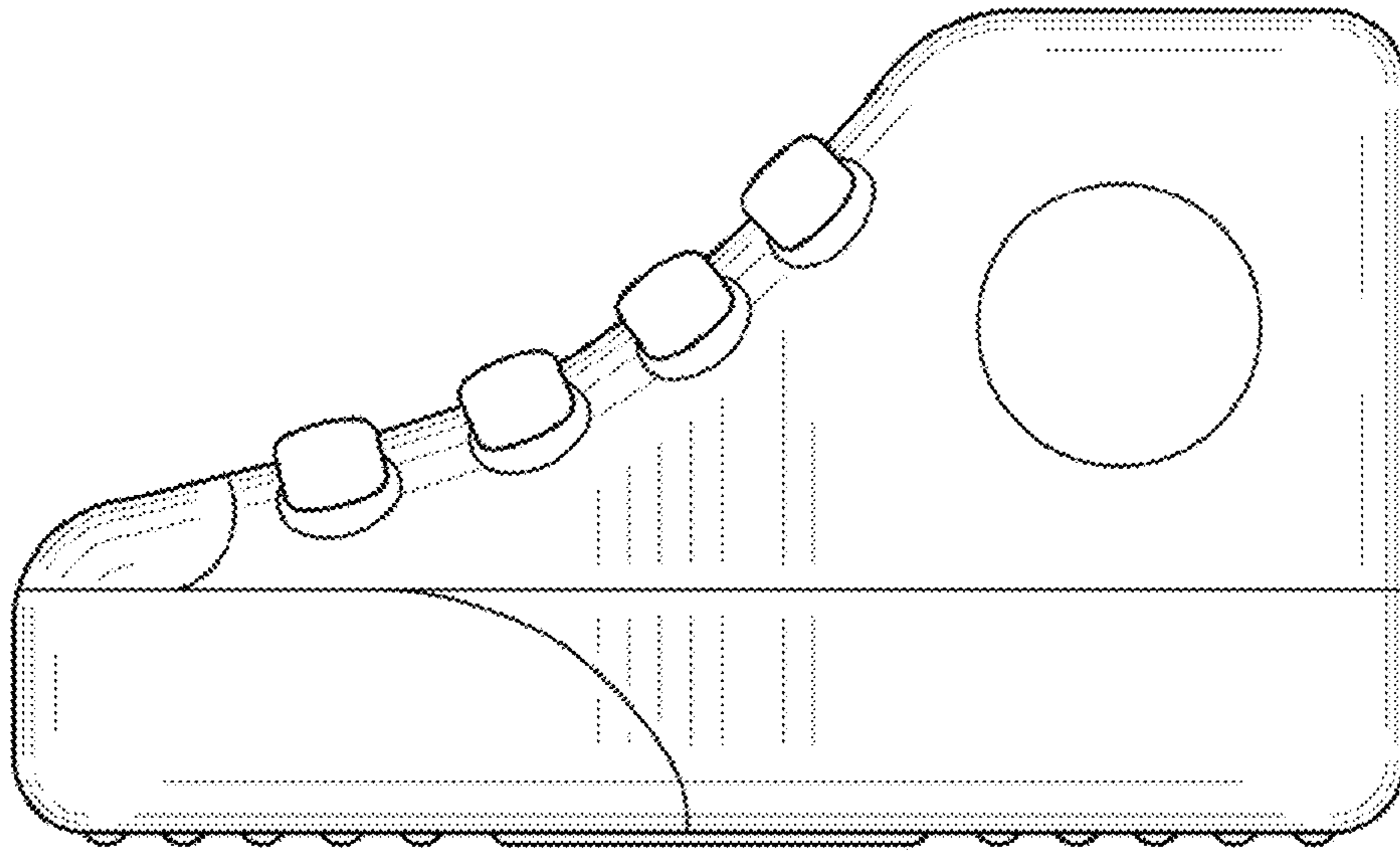


FIG. 9

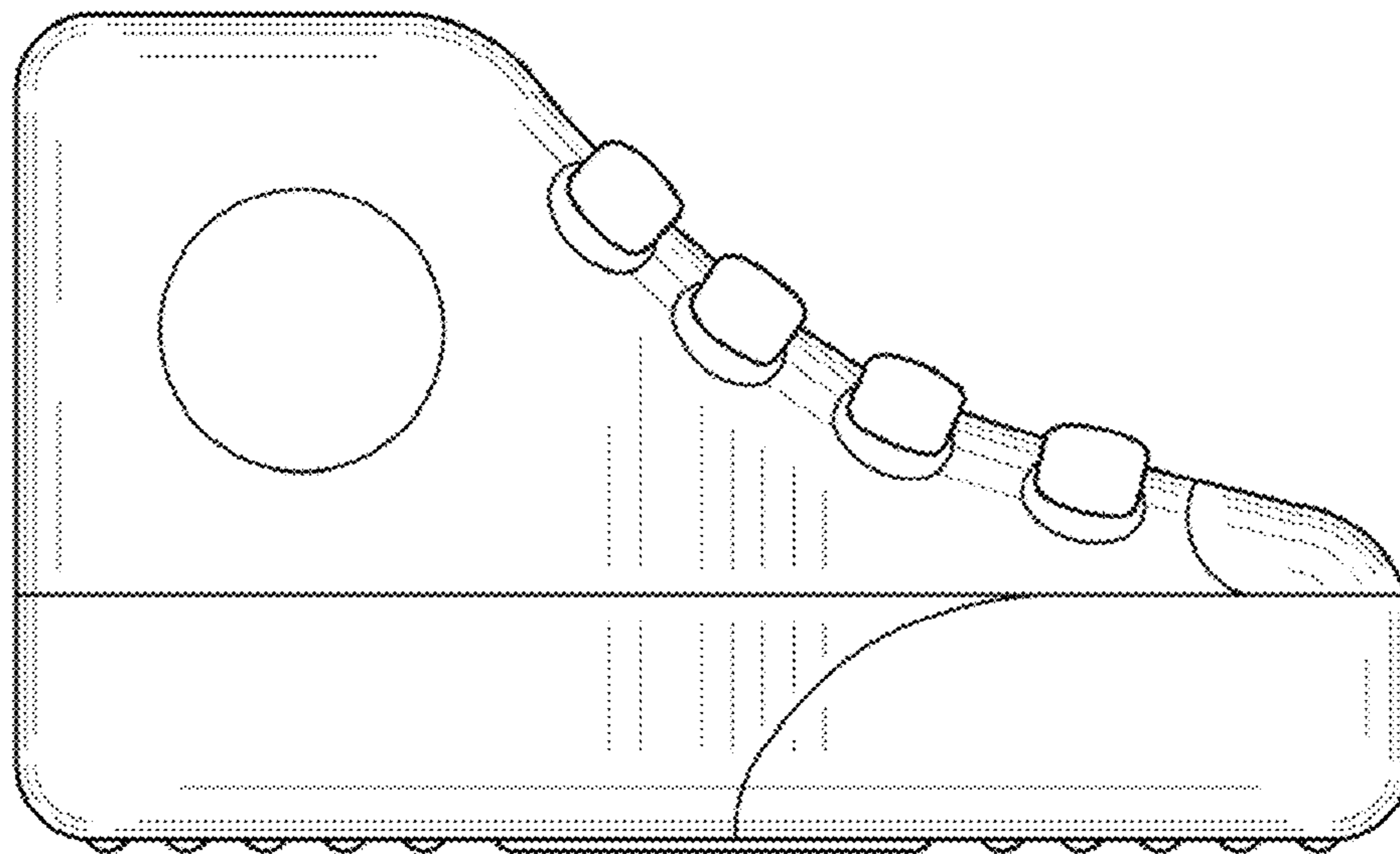


FIG. 10

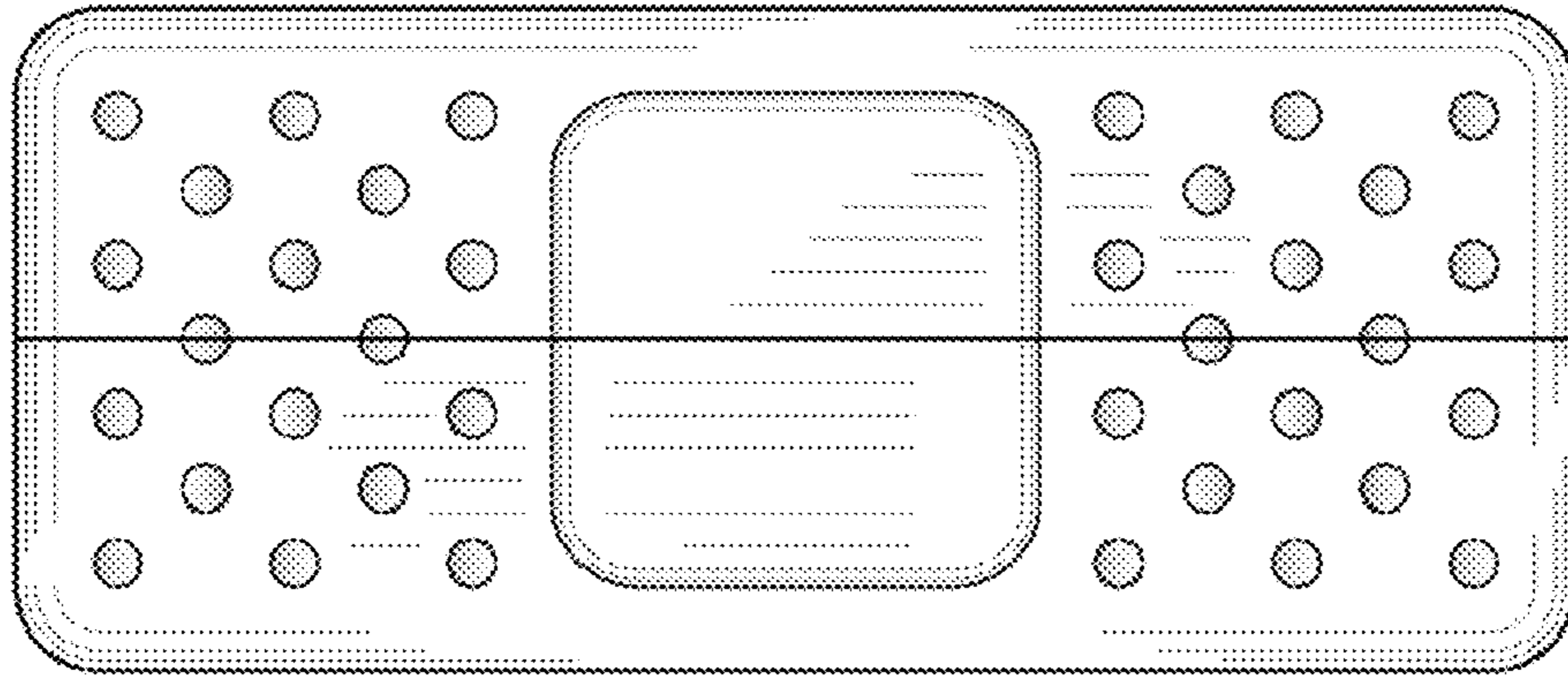


FIG. 11

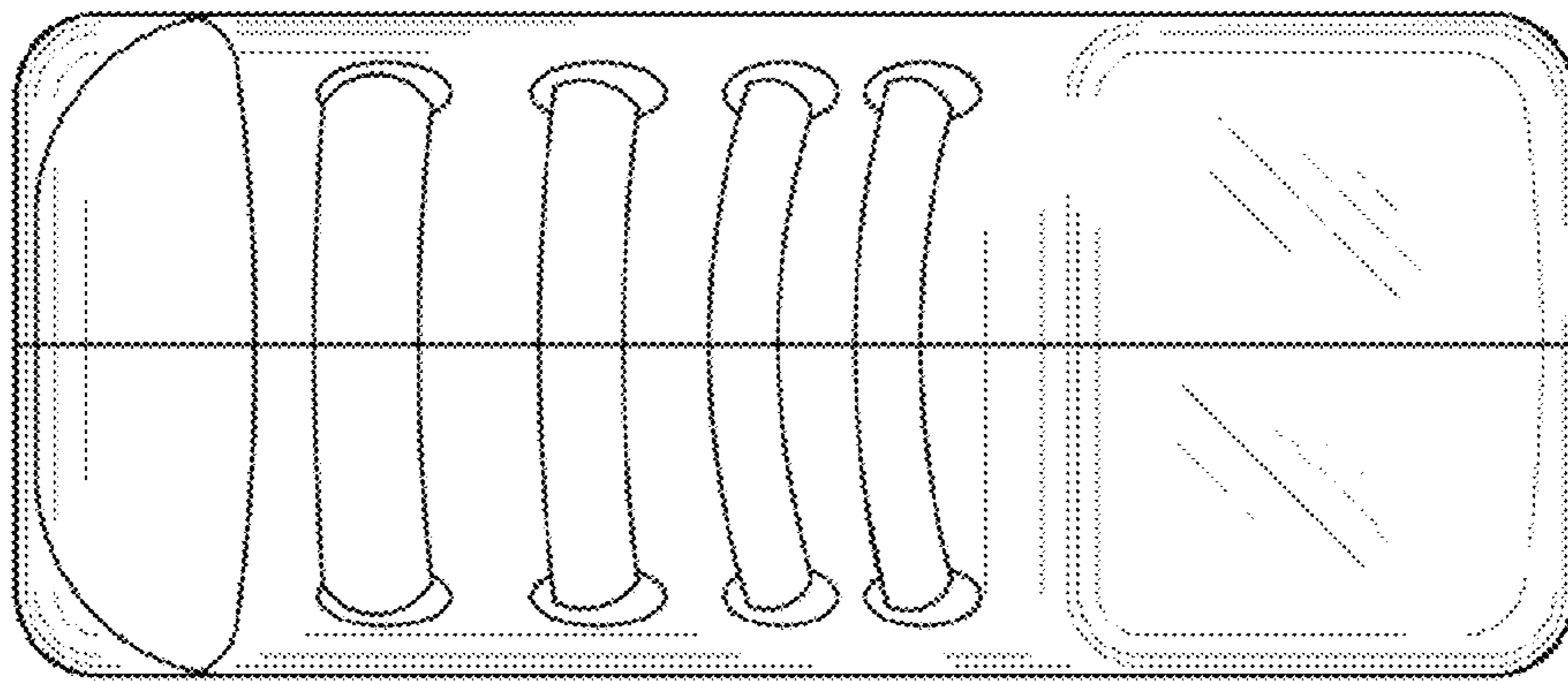


FIG. 12

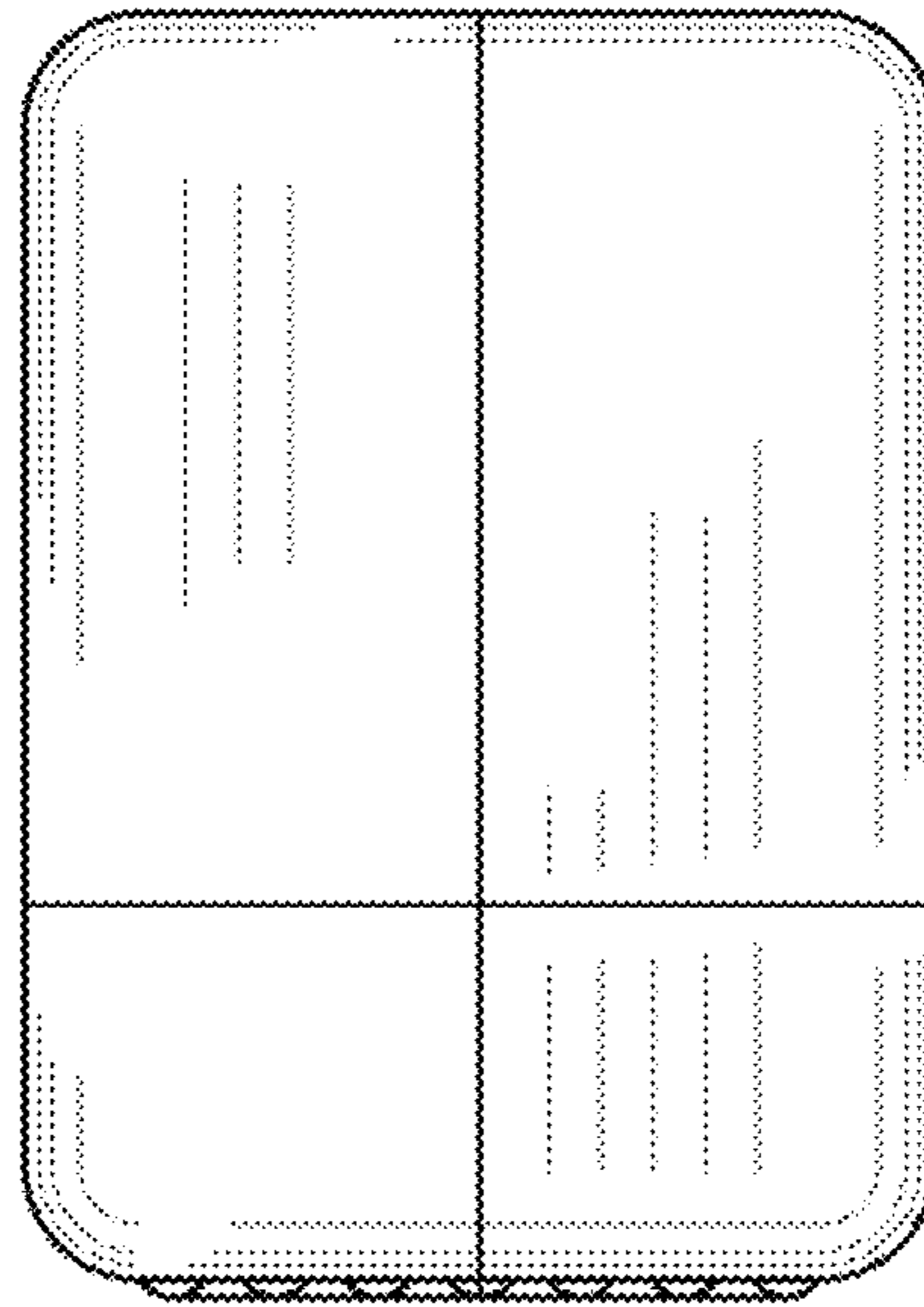


FIG. 13

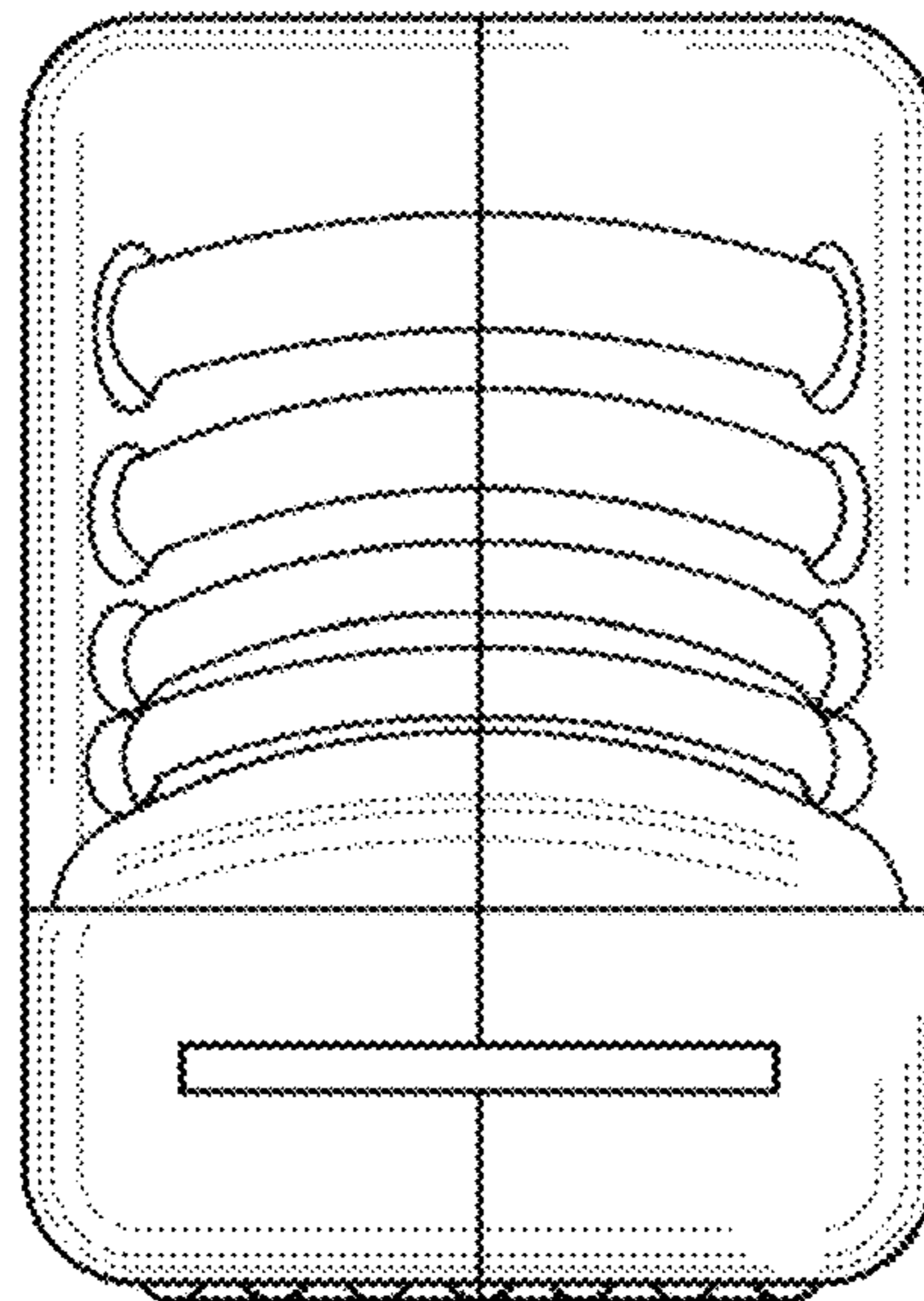


FIG. 14